

# TIMBER BENCH SEAT

42496199

Please read the instructions carefully. Be sure you have all parts before you start assembling. Place all furniture parts on a clean and flat surface, such as carpet or rug to prevent from being scratched.

This package contains small parts, keep away from children and babies until assembly is completed.

## CARE INSTRUCTION:



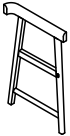

WIPE CLEAN WITH A DAMP CLOTH. DO NOT USE ABRASIVE MATERIALS AND SOLVENTS. CHECK AND TIGHTEN ALL PARTS REGULARLY. STORE IN A DRY PLACE







## WARNING!

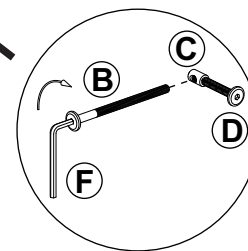
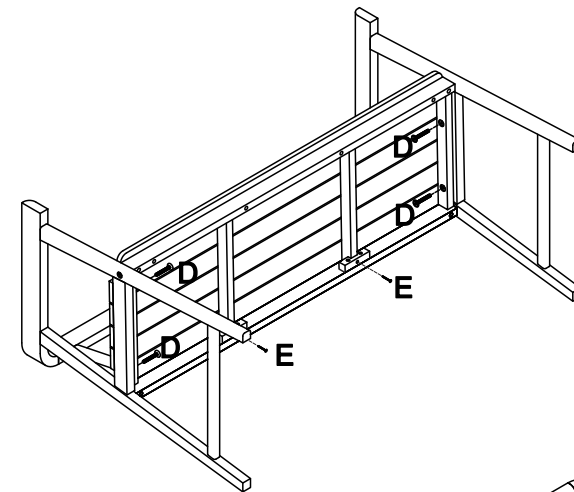
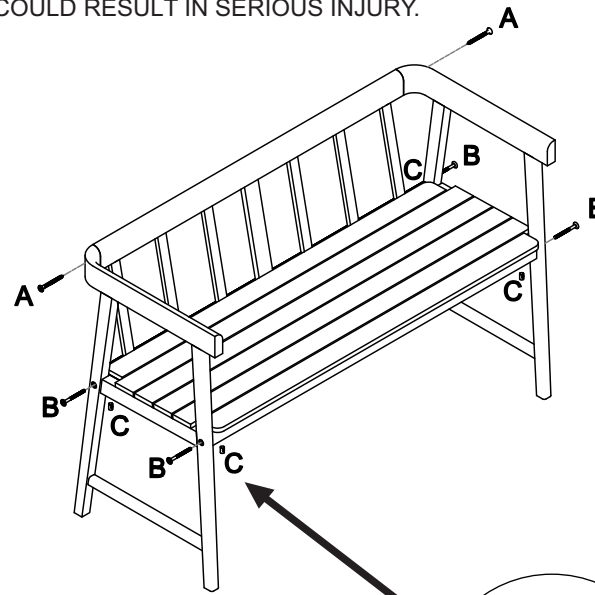
DO NOT SIT ON THE ARMREST. DO NOT STAND ON THE BENCH. DO NOT USE THE BENCH AS A STEP LADDER. DO NOT USE THE BENCH UNLESS ALL BOLTS, SCREWS AND KNOBS ARE FIRMLY SECURED. DO NOT OVERTIGHTEN SCREWS. DO NOT DRAG WHEN MOVING THE BENCH TO AVOID DAMAGING THE JOINTS.

MAXIMUM SAFE LOADING WEIGHT: 200KG

FAILURE TO FOLLOW THESE WARNINGS COULD RESULT IN SERIOUS INJURY.

No	Parts list	Qty (Pcs)
1		1Pc
2		1Pc
3		1Pc
4		1Pc

No	Hardware	Qty (Pcs)
<b>A</b>	 Ø6 x 60mm	2Pcs
<b>B</b>	 Ø6 x 70mm	4Pcs
<b>C</b>	 Ø6/9 x 13mm	4Pcs
<b>D</b>	 Ø6 x 35mm	5Pcs
<b>E</b>	 Ø4 x 35mm	2Pcs
<b>F</b>	 Hex key 4mm	1Pc



Screw D is used to adjust nut C when inserting

