

Read all instructions BEFORE assembly and USE of product. KEEP INSTRUCTIONS FOR FUTURE USE.

IMPORTANT! RETAIN FOR FUTURE REFERENCE PLEASE READ CAREFULLY

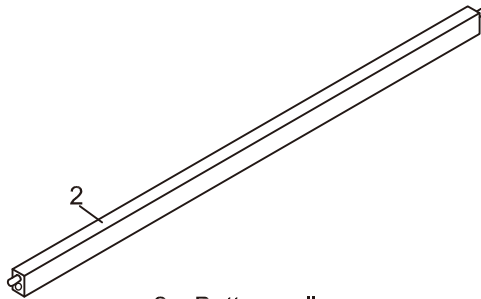
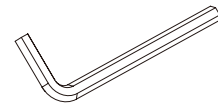
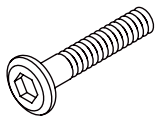
NURSERY CLOTHES RACK

Instruction Manual

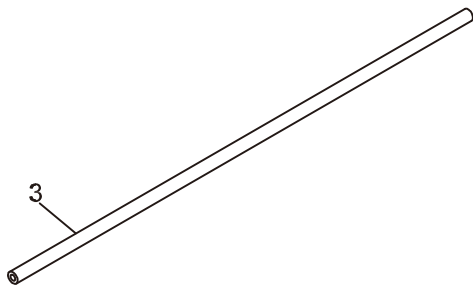
Parts list

6 x
M6x30mm / 1.2in
Connecting bolts

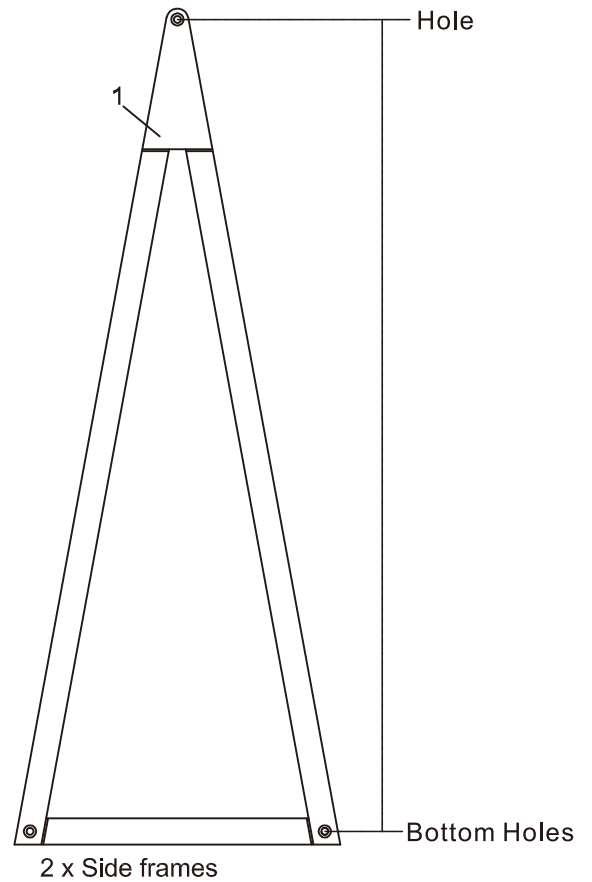
1 x
Allen key



2 x Bottom rails



1x Top rail

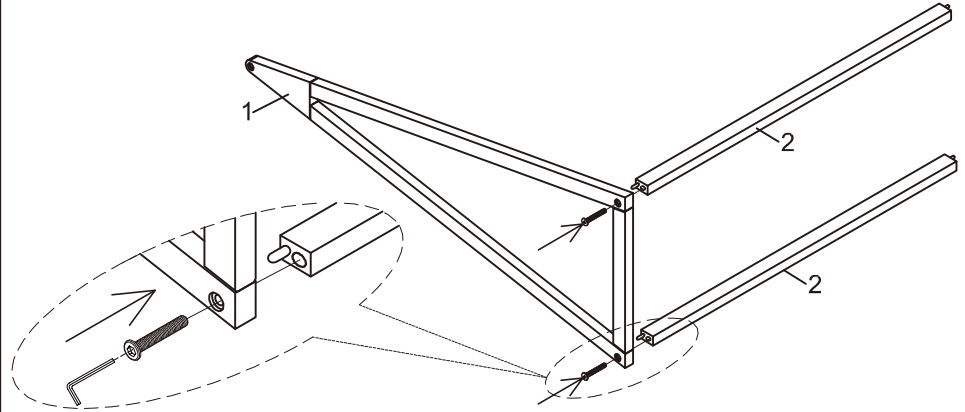


Assembly

Adult assembly required.

Stage 1:

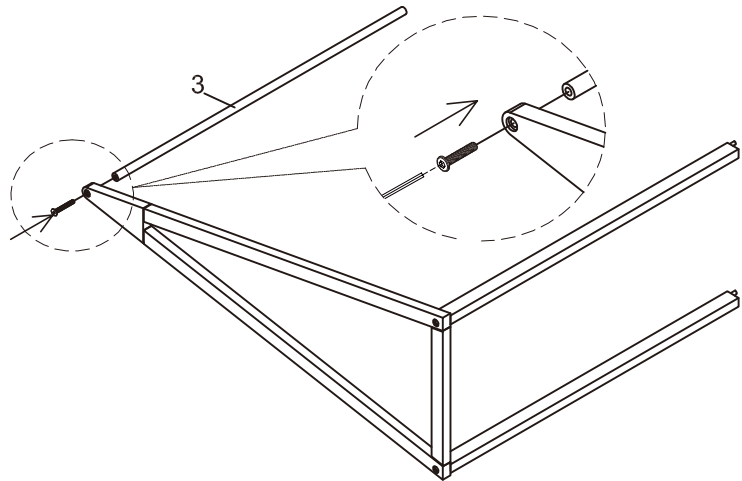
Lay down one of the side frames, connect the two bottom rails to the side frame with 2 connecting bolts.



Stage 2:

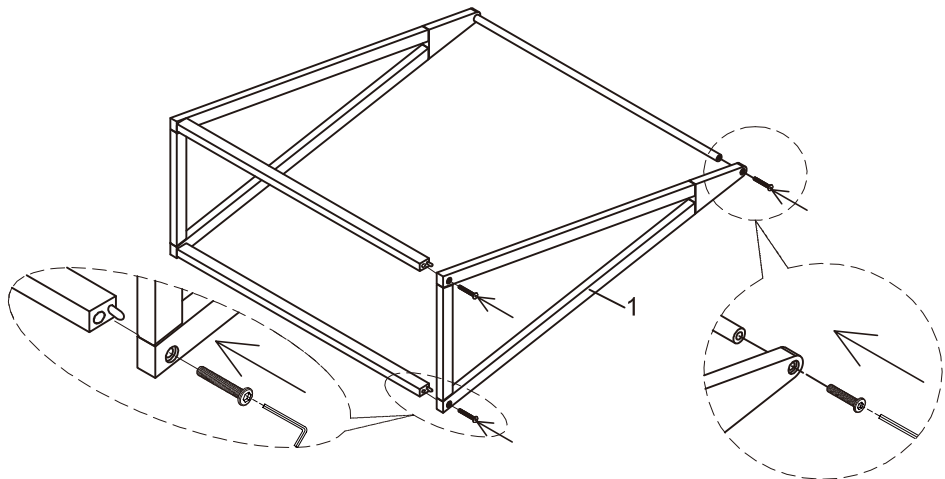
Connect the top rail to the side frame with 1 connecting bolt.

Note : Do not tighten bolts at this stage.



Stage 3:

Connect the other side frame to the bottom rails and the top rail with 3 connecting bolts.



WARNING!

- Adult assembly required.
- Read all the instructions before assembly and use of the product.
- Take care when unpacking and during assembly.
- Dispose of all packing materials carefully after assembly.
- Regularly check that all fittings remain tight. Tighten if required.
- Inspect the product before assembly and periodically during use. Never use this product if there are any loose or missing fasteners, joints or broken parts.
- Maximum loading : 8kg / 17.6lb
- Any additional or replacement parts should only be obtained from the manufacturer or distributor.
- Never substitute parts.
- This item is not a toy. Do not allow children to play with it.

Care and maintenance:

- All assembly fittings are to be properly tightened. Inspect regularly and re-tighten as necessary.
- To clean your nursery clothes rack, wipe with a damp cloth and dry immediately with a soft clean cloth.
- Do not use abrasive pads, bleach or strong household cleaners. Damage may result.
- When moving your nursery clothes rack, always lift and place in position. Do not drag the nursery clothes rack as damage could result.

IMAGES/ DRAWINGS IN THE MANUAL ARE FOR VISUAL PURPOSES ONLY. ACTUAL PRODUCT MAY VARY SLIGHTLY. THE MANUFACTURER RESERVES THE RIGHT TO CHANGE ANY SPECIFICATION OR FEATURE WITHOUT PRIOR NOTICE.

Keycode: 42470502

MADE IN CHINA

FOR AU / NZ: IMPORTED BY KMART STORES IN AUSTRALIA AND NEW ZEALAND.

KMART AUSTRALIA - 690 SPRINGVALE ROAD, MULGRAVE, VIC 3170 AUSTRALIA.

KMART NEW ZEALAND - REGIONAL OFFICE C/O KMART PAPATOETOE STORE, HUNTERS PLAZA, GREAT SOUTH ROAD, PAPATOETOE, AUCKLAND, NEW ZEALAND.

**FOR USA: IMPORTED BY ANKO RETAIL INC.
19500 ALDERWOOD MALL PARKWAY
LYNNWOOD WA 98036 USA.**