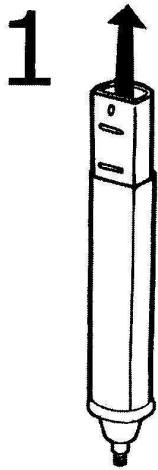
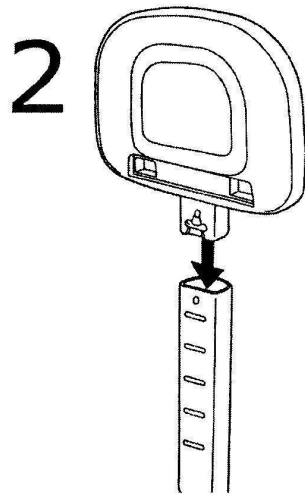


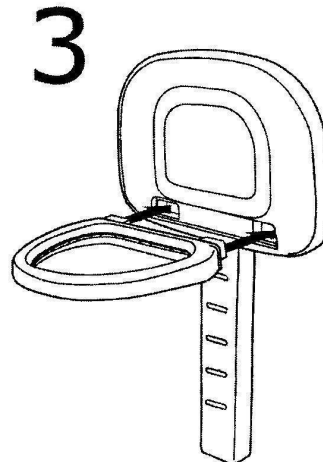
JUNIOR BASKETBALL SET



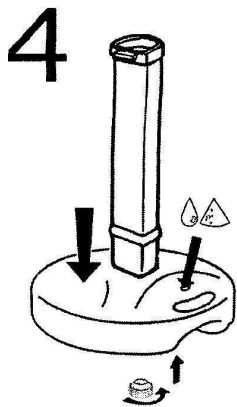
1. Pull out the pole of basketball stand to adjust the height.



2. Plug the backboard into the pole of basketball stand.

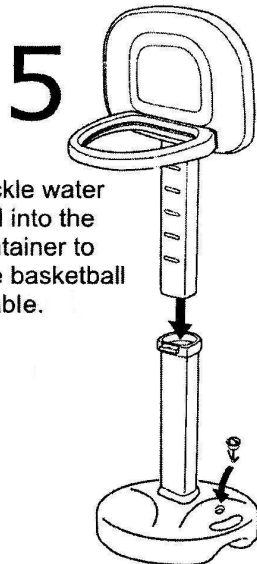


3. Install the hoop to the backboard.

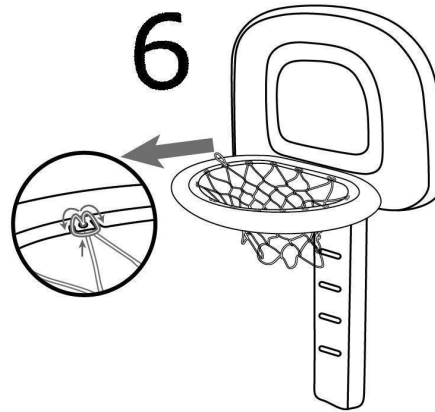


4. Insert the pole of basketball into the pedestal and then tightly screw the nut.

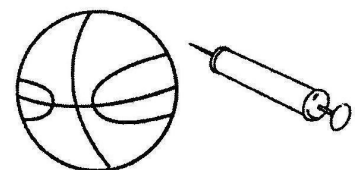
Note: Trickle water and sand into the base container to make the basketball stand stable.



5. After assembling all parts of the basketball stand, make sure the plug is secured into the base.



6. Put the basketball net on the hoop.



Basketball and pump are included



WARNING! SWINGING ON THE RING MAY CAUSE INJURY



WARNING! Do not over inflate the ball.

MADE IN CHINA