

# Instruction Manual


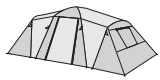




## 10 Person 3 Room Tent

(Keycode: 42225379)

### Product Image-



### Parts list-

No.	Part name	Quantity	Image
1	Inner tent body	X1	
2	Flysheets body	X1	
3	Fibreglass pole A(5.43M)	X2	
4	Fibreglass pole B(4.96M)	X2	
5	Guy rope	X8	
6	Pegs	X30	

Upright front poles are optional and not included. Please purchase individually

Please read all instructions carefully and make sure you have all parts before starting assembly

### Assembly steps-

#### Step 1,

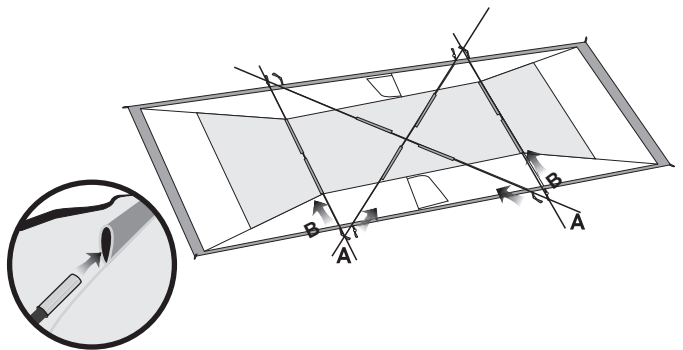


Take out the fibreglass poles from bag. Assemble the poles by each section joined together with ferrule.



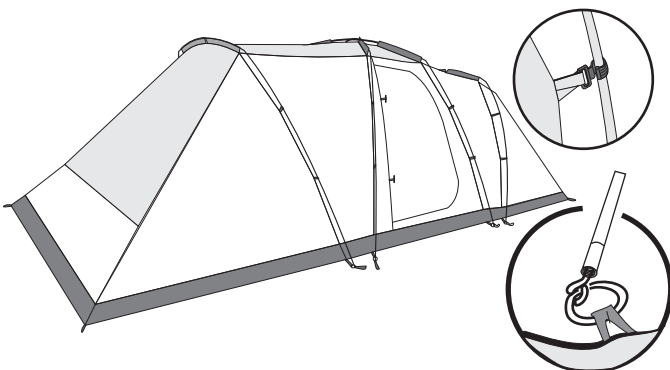
#### Step 2,

Spread out the inner tent body. Insert the poles A & B through the pole sleeve on the tent body.



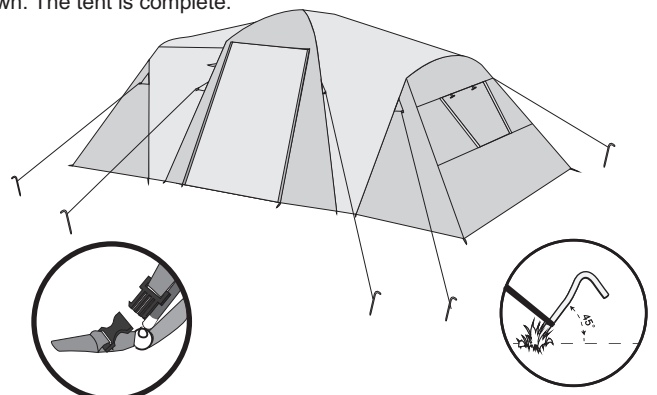
#### Step 3,

Erect the tent with pole arch and insert the pin into each pole end at the bottom of each tent corner. Attach the hooks to each pole.



#### Step 4,

Cover the inner tent with flysheet body and fix the bottom corners with buckle on the inner tent. Move the tent to where you want to build your campsite. Secure the pre-attached guy ropes and peg down. The tent is complete.



# Warning -

- KEEP ALL FLAME AND HEAT SOURCE AWAY FROM THIS TENT FABRIC
- DO NOT USE CANDLE, MATCHES OR OPEN FLAME OF ANY KIND IN OR NEAR THE TENT
- DO NOT COOK INSIDE THE TENT
- DO NOT SMOKE IN THE TENT
- DO NOT STORE FLAMMABLE LIQUIDS INSIDE THE TENT
- EXTINGUISH OR TURN OFF ALL LANTERNS BEFORE GOING TO SLEEP
- CHOOSE LEVEL SITE TO ERECT TENT THAT IS CLEAR FROM OVERHANGING BRANCHES AND NOT IN LOW LYING AREAS THAT COULD BE SUBJECT TO FLOODING

# Care instruction-

- WIPE CLEAN WITH A DAMP CLOTH
- DO NOT USE ABRASIVE MATERIALS AND SOLVENTS
- ENSURE TENT IS CLEAN & DRY BEFORE PACKING OR STORAGE TO PREVENT DAMAGE FROM MOULD & MILDEW

Made In China