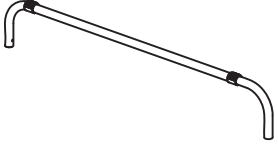
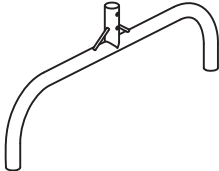








Assembly Instructions

Portable garment rack

Parts Supplied

Ref	Description	Illustration	Qty
A	Top Post		1 pc
B	Base Rails		2 pcs
C	Upper Post		2 pcs

Ref	Description	Illustration	Qty
D	Lower Post		2 pcs
E	Bottom Bar		1 pc
F	Screw		6 pcs
G	Long Screw		2 pcs
H	Castor		4 pcs

Tools Required (not supplied)

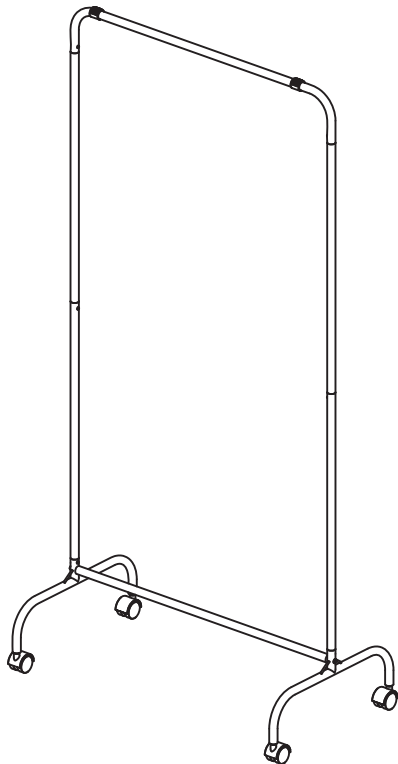
- Phillips head screwdriver
- Cushioned hammer

Assembly Instructions

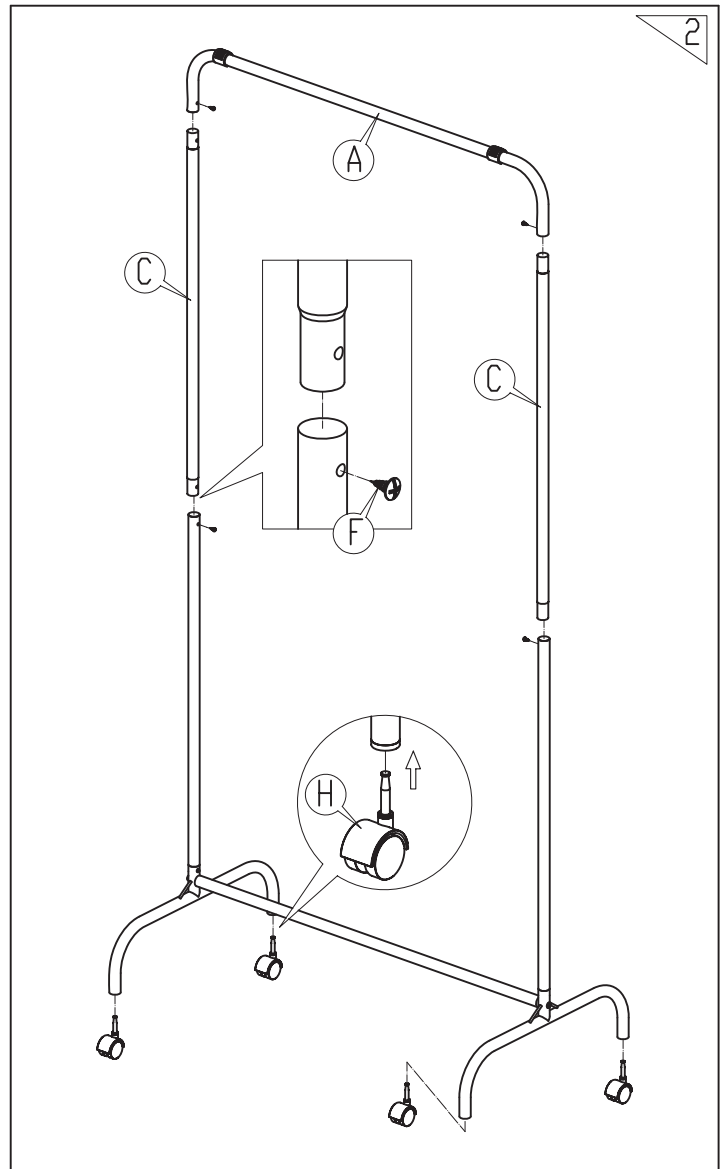
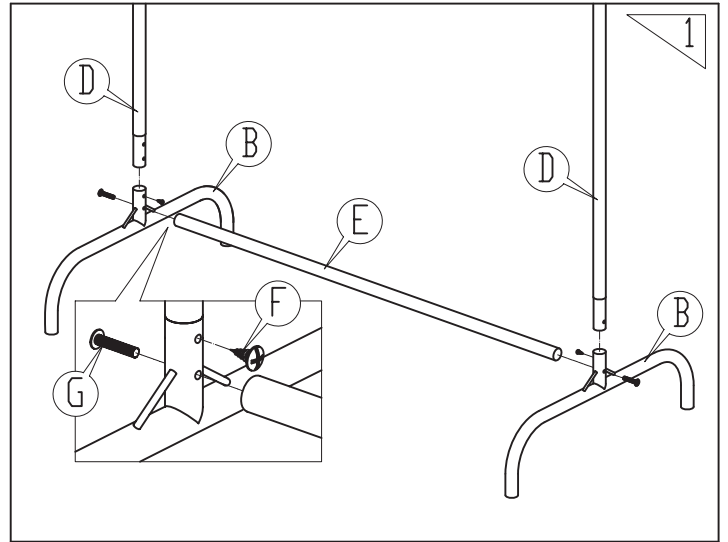
1. Insert the Lower Posts (D) into the Base Rails (B) and connect them with Screw (F). Connect Bottom Bar (E) and the Base Rails (B) with Long Screw (G).
2. Insert the Upper Posts (C) into the Lower Posts (D) and connect them with Screw (F). Connect Top Post (A) and the Upper Posts (C) with Screw (F). Attached the castors (H) to the bottom of the Base Rails (B) until it is securely locked.

Note:

- Check that all joints and posts are firmly fixed together.
- Secure metal posts (A), (C) and (D) with a cushioned hammer. Ensure the product is balanced and stable before use.



Completed



Care & Use

- Wipe clean with a soft damp cloth. Never use scourers, abrasives or chemical cleaners.
 - **MAXIMUM WEIGHT LOAD 10KGS** evenly distributed over the rail.
-