

Assembly Instructions

Parallel Garment Rack

Parts Supplied

Ref	Description	Illustration	Qty
A	2 pcs Chrome Upper Back Post (with red marker)		4 pcs
B	1 pc Back Top Horizontal Bar (no marker)		
C	1 pc Front Top Horizontal Bar (no marker) • Longer Bar		
D	Chrome Upper Front Post (with red marker)		2 pcs
E	White Lower Side Stand		2 pcs
F	Bottom "U" Bar		2 pcs
G	Base Rails		2 pcs

Ref	Description	Illustration	Qty
H	Wire Shelf		1 pc
I	Extendable Post (with red marker)		2 pcs
J	Back Post Connector		2 pcs
K	Front Post Connector		2 pcs
L	Locking Screw		4 pcs
M	Base Rails Connector		4 pcs
N	Castor		4 pcs
O	Long Screw & Nut		4 sets
P	Screw		4 pcs
Q	Spanner		1 pc

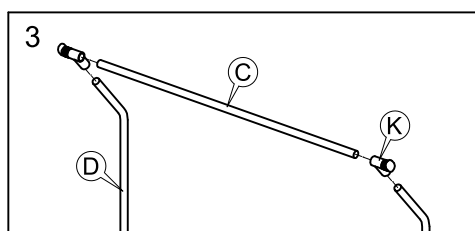
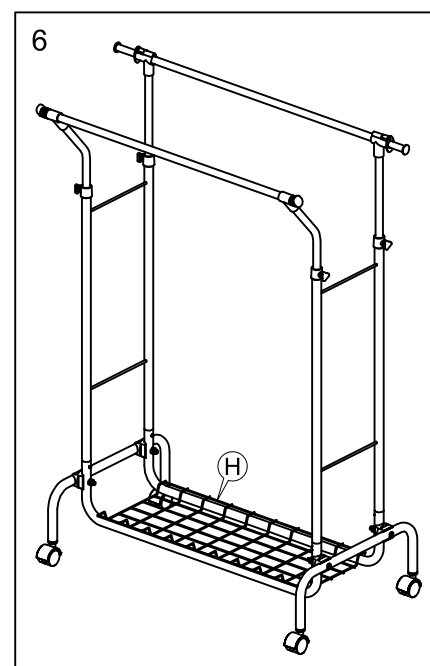
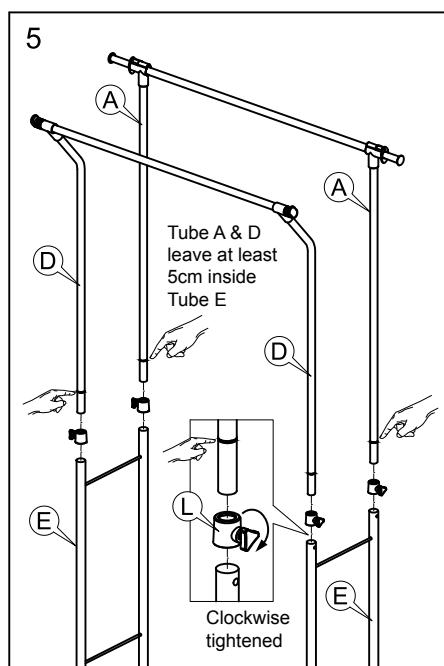
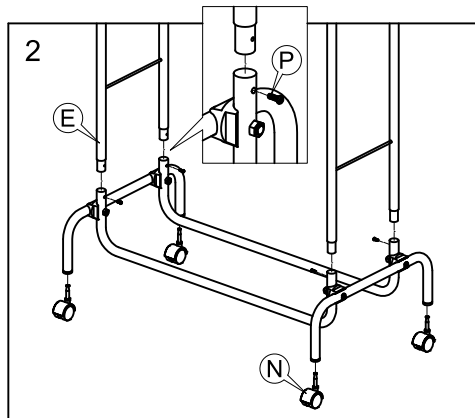
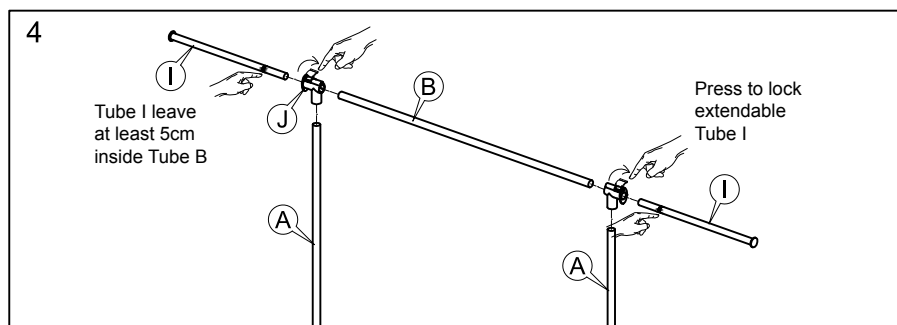
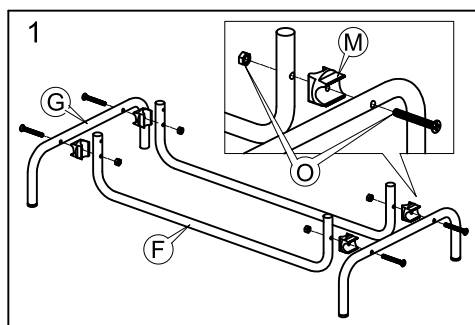
Tools Required (not supplied)

- Phillips head screwdriver
- Cushioned hammer

User Instructions:

- To adjust the garment rack, simply release the locking mechanism located on both vertical bars. Move the bar to the desired height, and re-lock. Ensure vertical bars are simultaneously adjusted at all times.
- **PLEASE NOTE:** Failure to follow this instruction will place undue stress on the plastic joints, and may cause the Plastic components to break.
- **MAXIMUM WEIGHT LOAD 10KGS** evenly distributed over rails.

Assembly Instructions



1. Connect the base rail connectors (M) to the base rails (G) and bottom U bars (F) with the long screw and nut (O).
2. Attach the castors (N) to bottom of the base rails until it is securely locked. Insert the white lower side stands (E) in the bottom U bars and screw (P) in place.
3. Connect the front top horizontal bar (C) to the chrome upper front posts (D) by using the front post connectors (K). Use a cushioned hammer if necessary.
4. Insert the two chrome upper back posts (A) and the back top horizontal bar (B) into the back post connectors (J). Place each of the extendable posts (I) into the horizontal bar.
5. Once you have completed assembling the front and back garment arms, insert them into the stands of the rack with the red marker facing down first. To lock the upper posts into position, tighten the locking screws (L) clockwise.
Note: Check that all joints and posts are firmly fixed together.
6. Place the wire shelf (H) onto the bottom U bars of the rack.
7. Whilst adjusting the height or length of the rack, leave at least 5cm inside the frame as indicated by the red markers.

Care & Use

- Wipe clean with a soft damp cloth. Never use scourers, abrasives or chemical cleaners.
-