

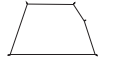






Instruction Manual

10 Person Tent (Keycode: 42499299)

Product Image-		Parts list-		
No.	Part name	Quantity	Image	
1	Inner tent body	X1		
2	Flysheet body	X1		
3	Divider curtain	X1		
4	Fibreglass pole A (5.1m) in red color coded	X1		
5	Fibreglass pole B (4.78m) in grey color coded	X2		
6	Fibreglass pole C (2.85m)	X3		
7	Pegs	X26		
Upright front poles are optional and not included. Please purchase individually				
Please read all instructions carefully and sure you have all parts before starting to assemble.				

Assembly steps-

Step 1,

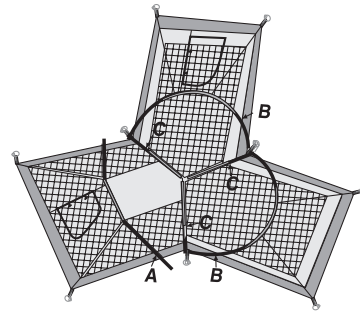


Take out the fibreglass poles from bag. Assemble the poles by each section joined together with ferrule.



Step 2,

On a level surface, unfold the tent/shelter so all the corners are visible. Insert all poles through the corresponding color coded pole sleeve on tent inner. Fix the C pole into the 3 way hub in center. Set up the tent with pin insert into the pole end ferrel.



Step 3,

Secure the inner tent with peg through the ring on pin&ring into the ground. Cover the flysheet on the inner tent, fix with buckle and pegs through the elastic cord ring at the bottom of corners.



Step 4,

Release the guy ropes pre-attached on flysheet, secure the guy ropes to make tent stay more stable. Front door can be set up by steel poles to create awning.



Warning -

- KEEP ALL FLAME AND HEAT SOURCE AWAY FROM THIS TENT FABRIC
- DO NOT USE CANDLE, MATCHES OR OPEN FLAME OF ANY KIND IN OR NEAR THE TENT
- DO NOT COOK INSIDE THE TENT
- DO NOT SMOKE IN THE TENT
- DO NOT STORE FLAMMABLE LIQUIDS INSIDE THE TENT
- EXTINGUISH OR TURN OFF ALL LANTERNS BEFORE GOING TO SLEEP
- CHOOSE LEVEL SITE TO ERECT TENT THAT IS CLEAR FROM OVERHANGING BRANCHES AND NOT IN LOW LYING AREAS THAT COULD BE SUBJECT TO FLOODING

Care instruction-

- WIPE CLEAN WITH A DAMP CLOTH
- DO NOT USE ABRASIVE MATERIALS AND SOLVENTS
- ENSURE TENT IS CLEAN & DRY BEFORE PACKING OR STORING TO PREVENT DAMAGE FROM MOULD & MILDEW

Made In China