

Assembly Instructions







43746880 WAVE BOOK STORAGE








CARE INSTRUCTION: Wipe clean with a soft dry or damp cloth. Keep away from water and direct sunlight. For indoor and domestic use. Check and tighten all parts regularly.

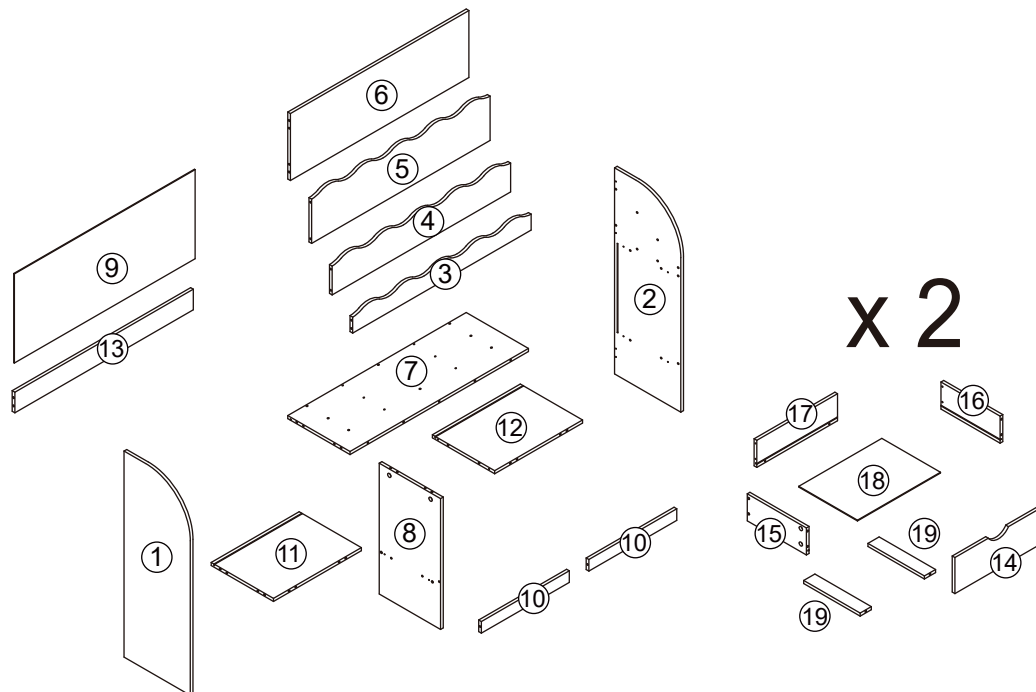
WARNINGS: Do not stand or sit on the unit. Do not lean on the product. Do not drag the product. Use only on a flat surface. Do not use until all screws, bolts and knobs are firmly secured. This product contains small parts and sharp points, keep away from children and babies. Adult assembly required. Failure to follow these warnings could result in serious injury.

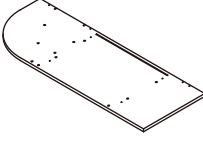
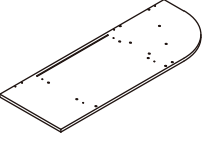
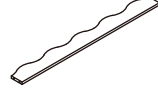
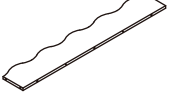

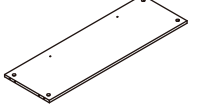
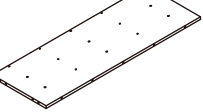
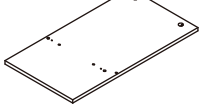
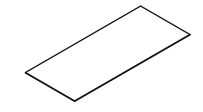
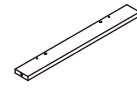
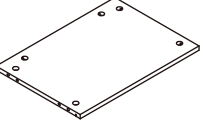
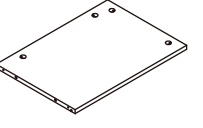
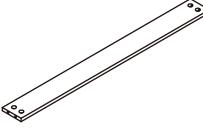
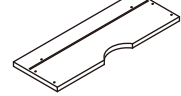
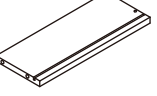
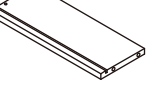
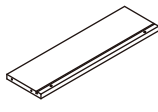
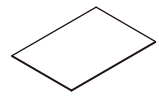
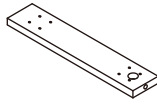
MAXIMUM TOTAL LOADING WEIGHT: 3KGS FOR EACH LAYER OF BOOKSHELF, 5KGS FOR EACH DRAWER, 7KGS FOR EACH SHELF, 36KGS IN TOTAL.

Hardware list

	a		38PCS
	b		38PCS
	c	6X30mm	44PCS
	d	6X50mm	3PCS
	e	4X35mm	20PCS
	g		4PCS

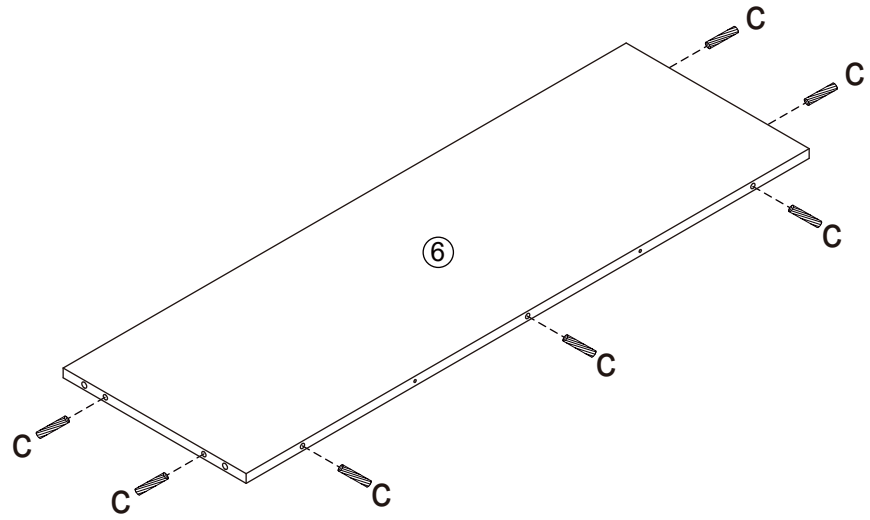
	h		4PCS
	i	4X12mm	34PCS
	j		4PCS
	k		2PCS
	l	4X30mm	2PCS
	m		2PCS
	n		4PCS



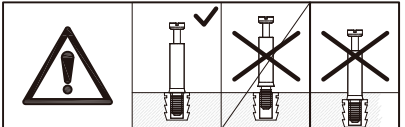
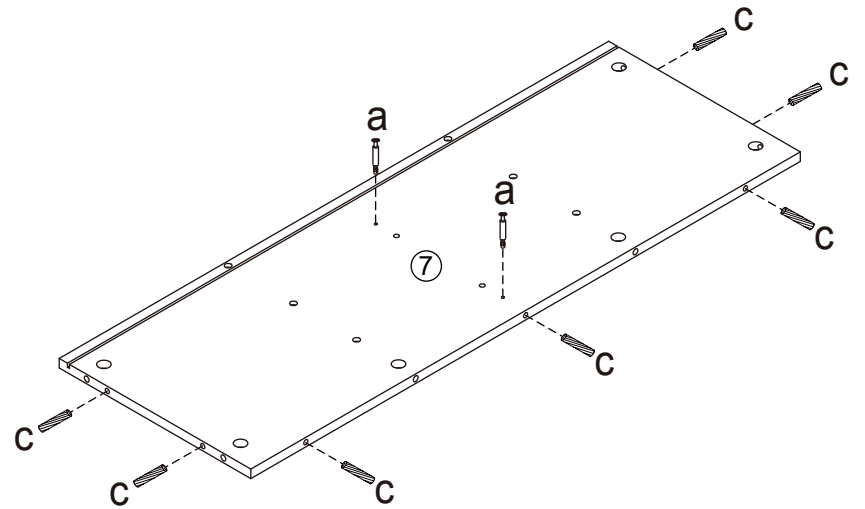
			
① 1 PC	② 1 PC	③ 1 PC	④ 1 PC
			
⑤ 1 PC	⑥ 1 PC	⑦ 1 PC	⑧ 1 PC
			
⑨ 1 PC	⑩ 2 PCS	⑪ 1 PC	⑫ 1 PC
			
⑬ 1 PC	⑭ 2 PCS	⑮ 2 PCS	⑯ 2 PCS
			
⑰ 2 PCS	⑱ 2 PCS	⑲ 4 PCS	

DO NOT TIGHTEN THE SCREWS UNTIL THE PRODUCT IS FULLY ASSEMBLED.

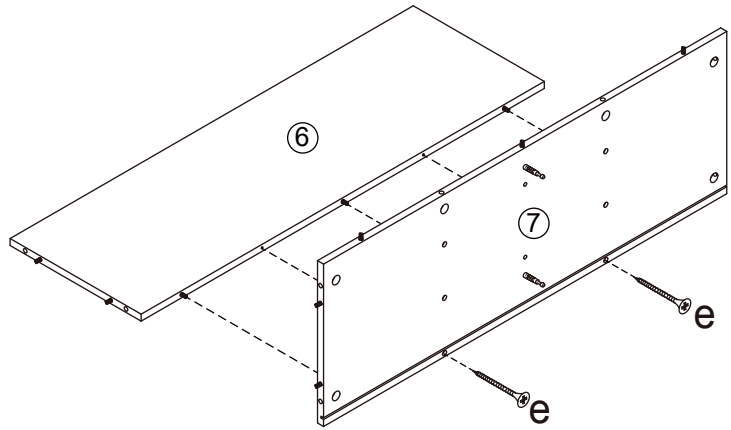
STEP 1  X7



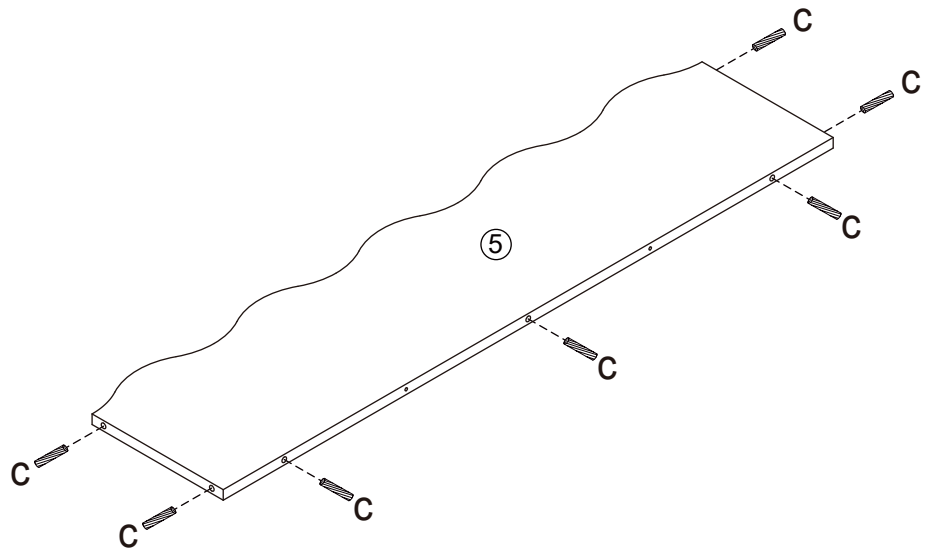
STEP 2  X2  X7



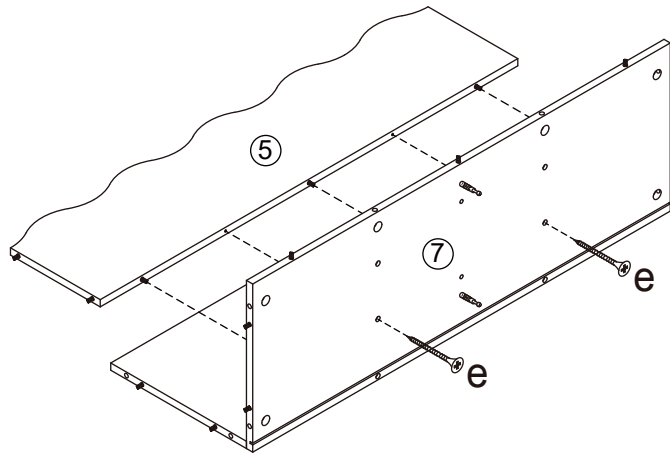
STEP 3  X2



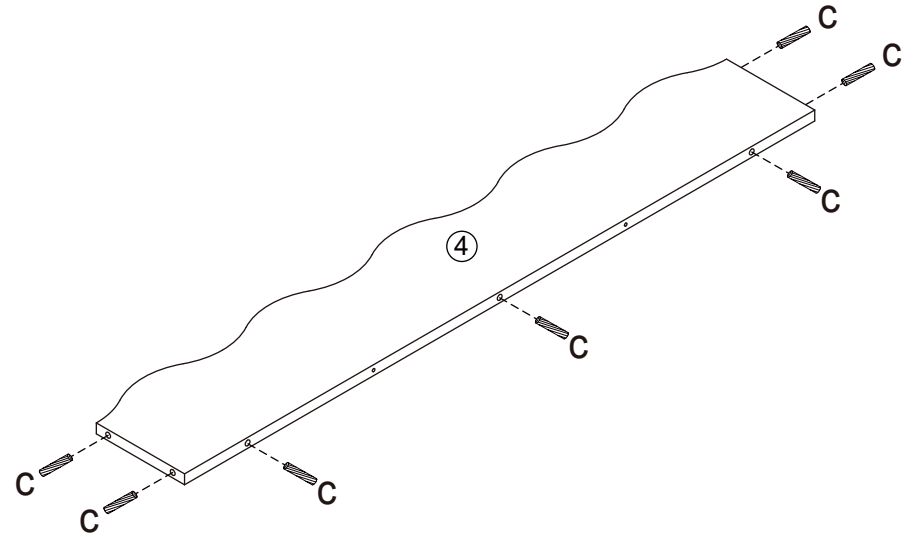
STEP 4  X7



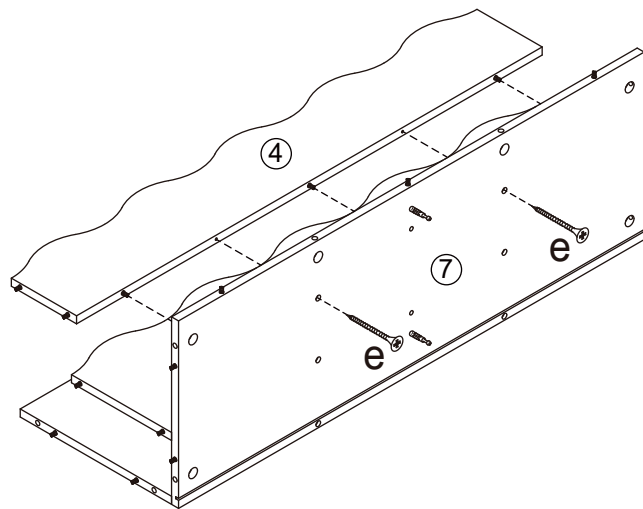
STEP 5  X2



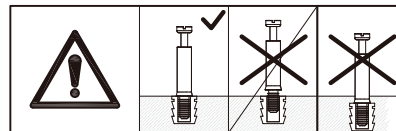
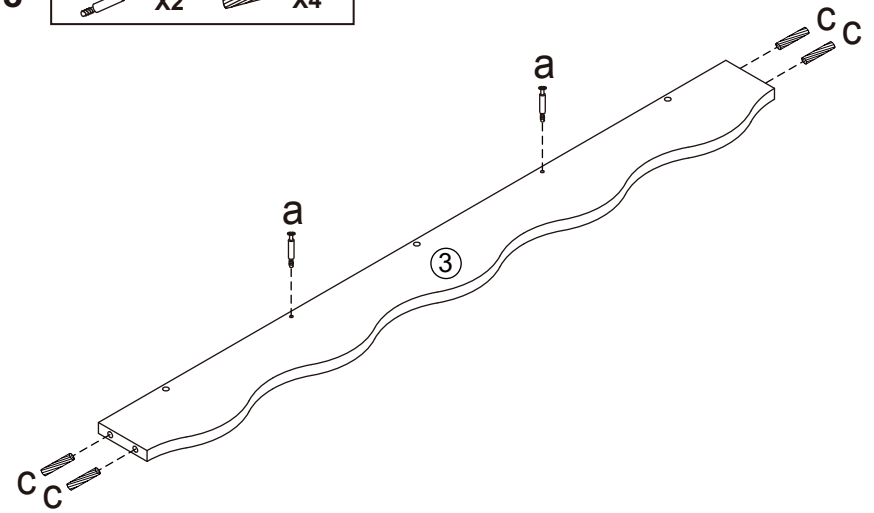
STEP 6  X7



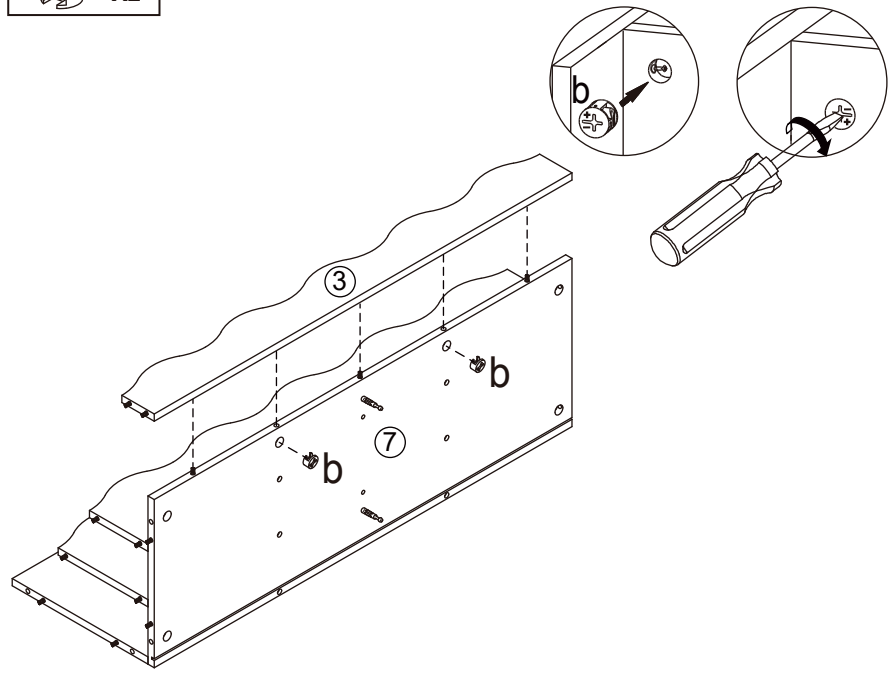
STEP 7  X2



STEP 8  X2  X4

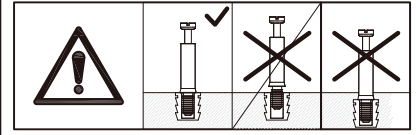
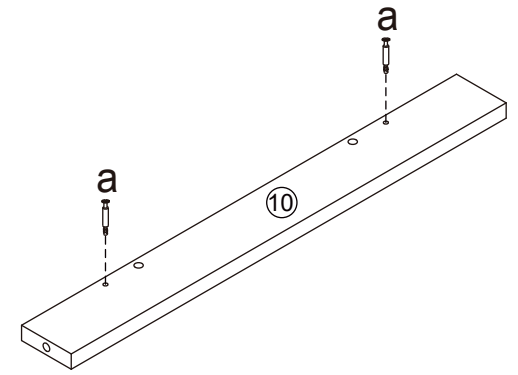


STEP 9  X2

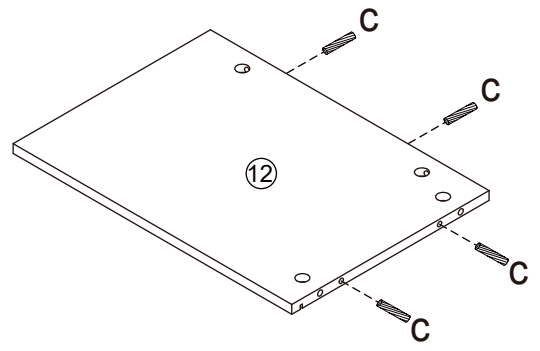


STEP 10  X4

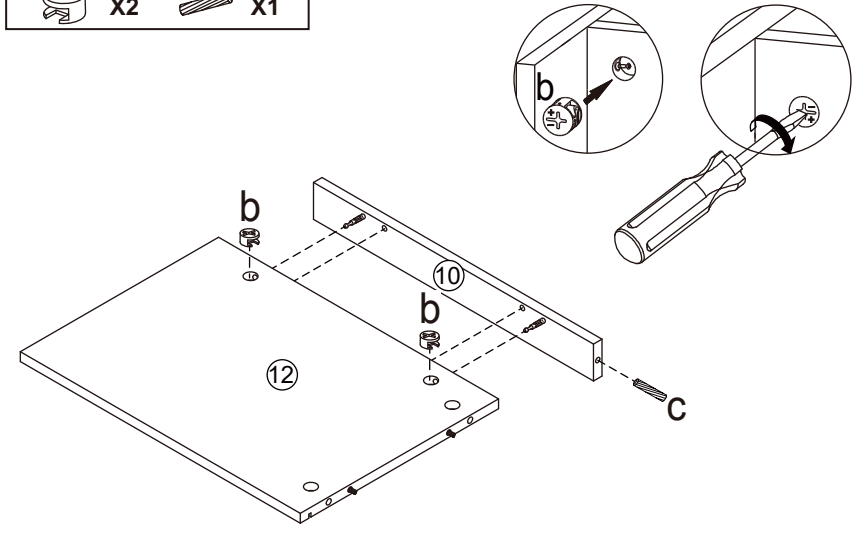
x 2



STEP 11  X4

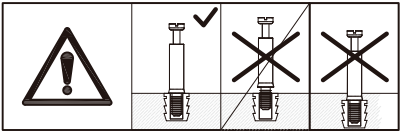
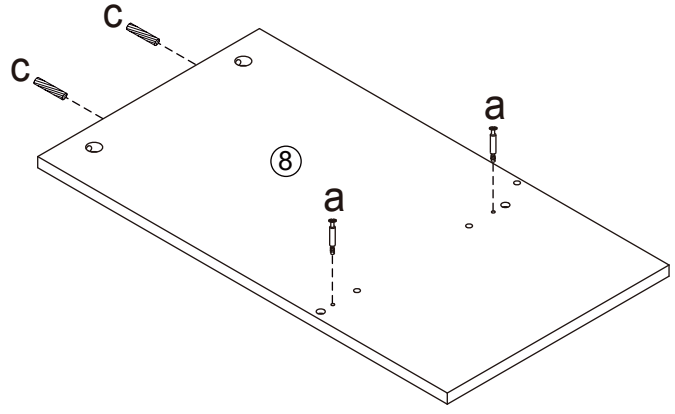


STEP 12  X2  X1



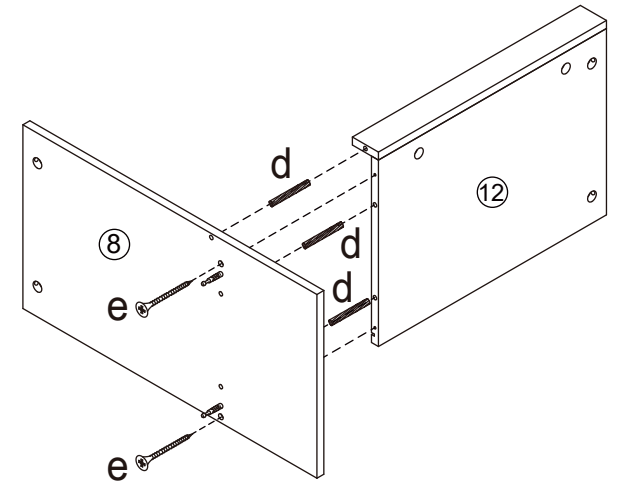
STEP 13

 X2  X2



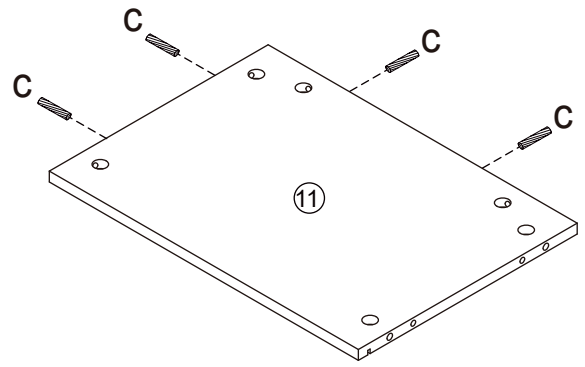
STEP 14

 X3  X2





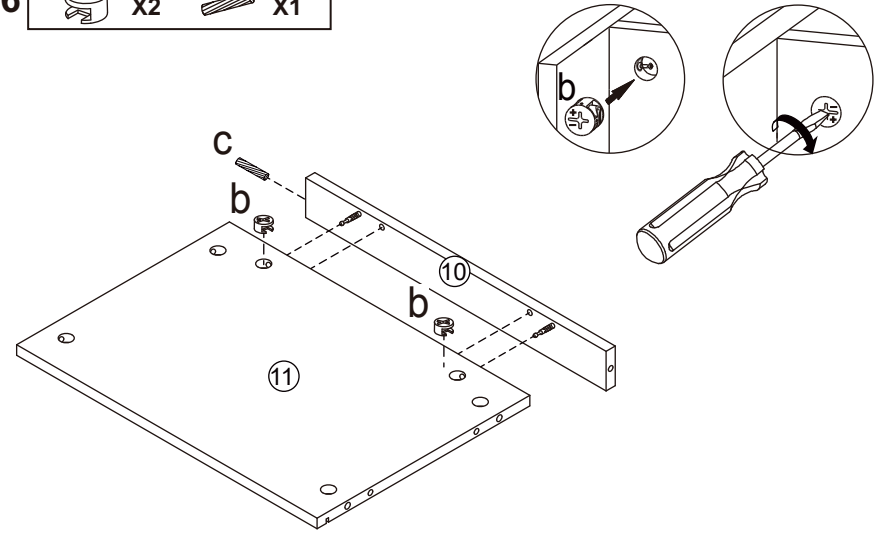
STEP 15

 X4

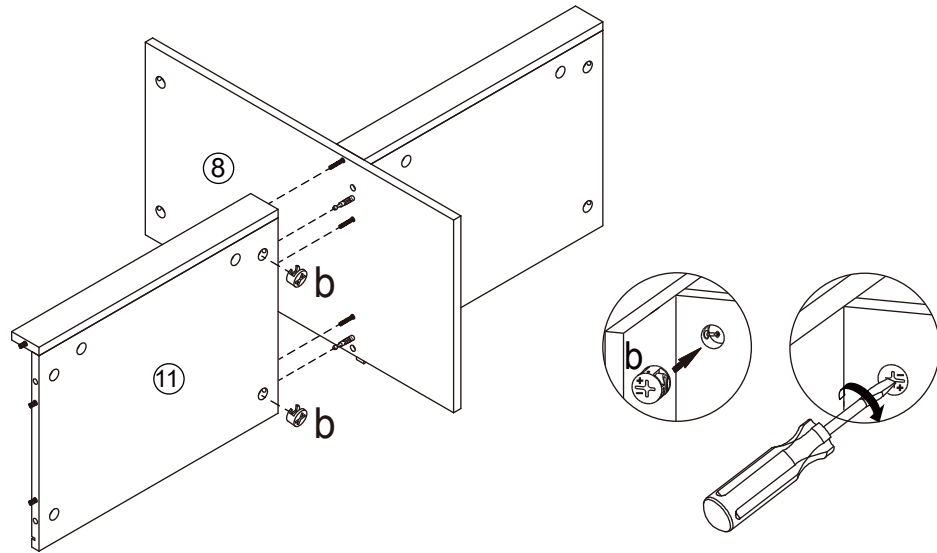


STEP 16

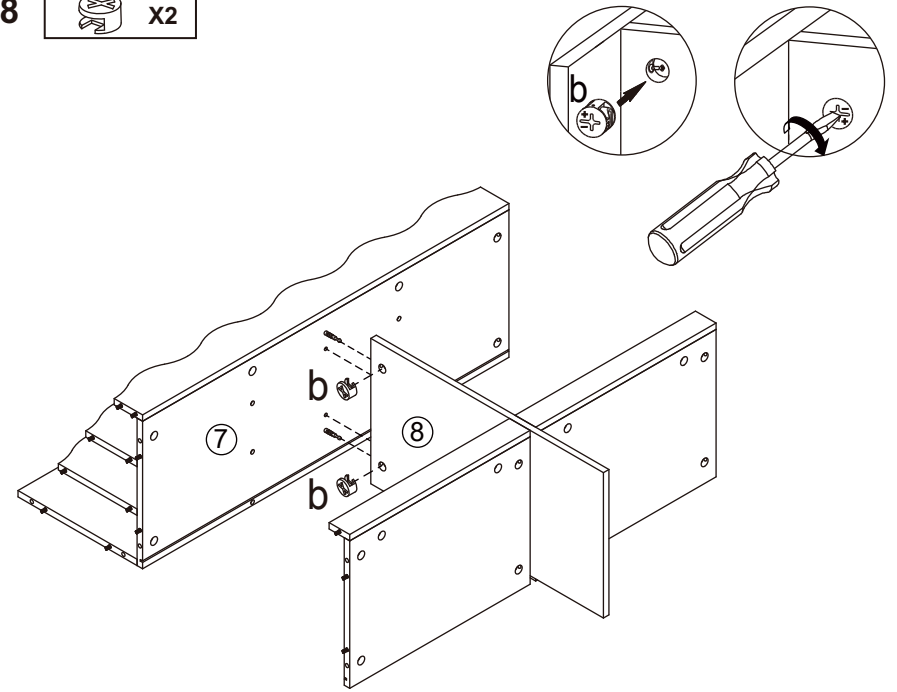
 X2  X1



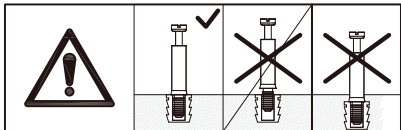
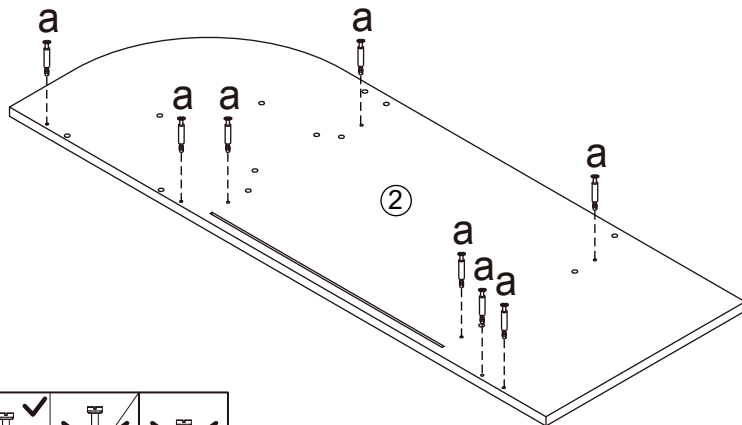
STEP 17  X2



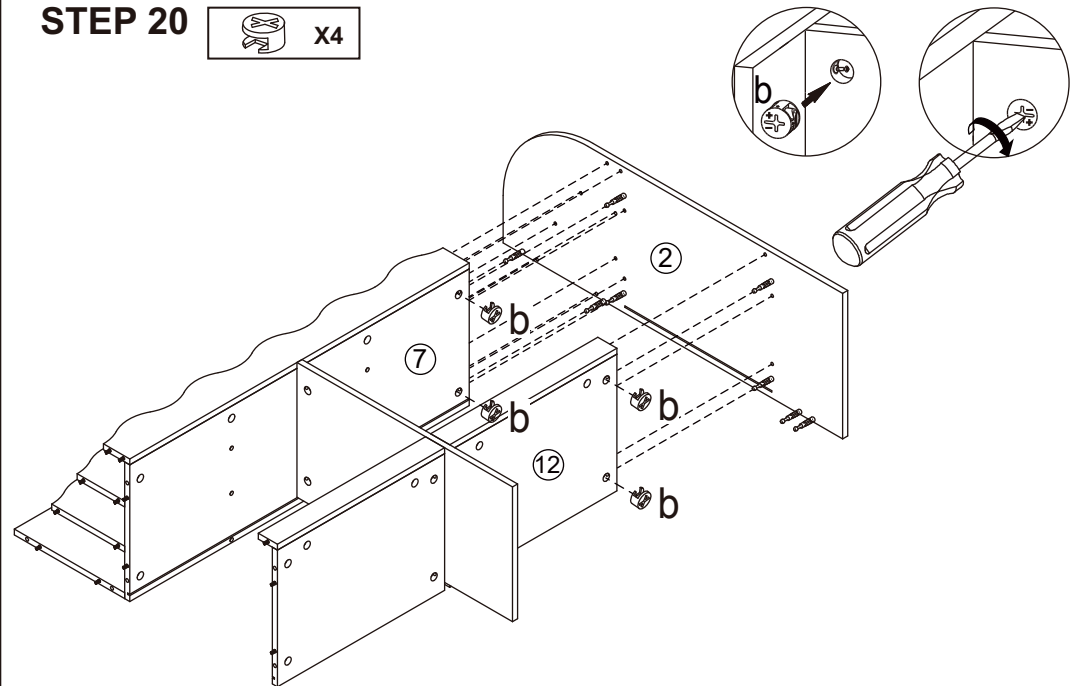
STEP 18  X2



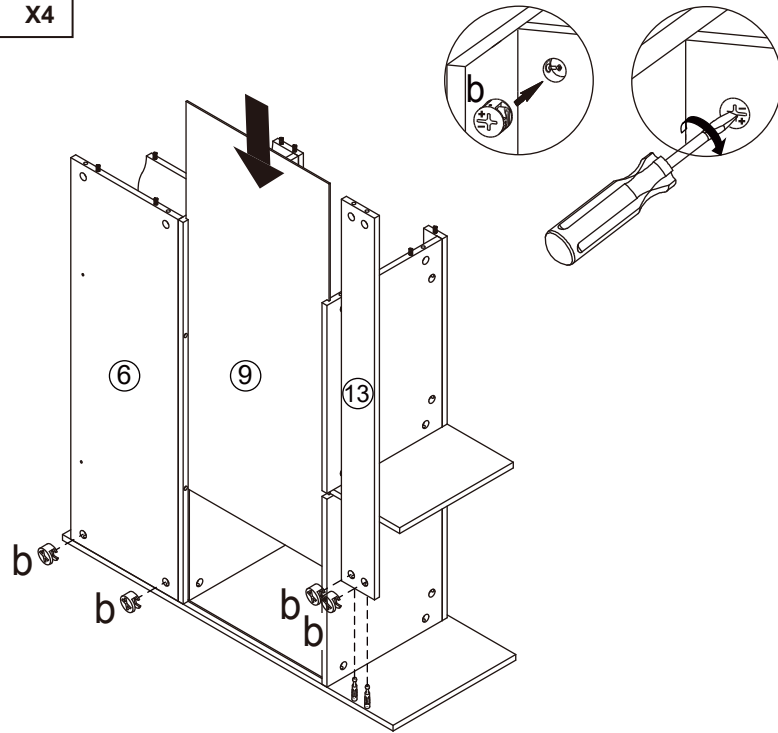
STEP 19  X8



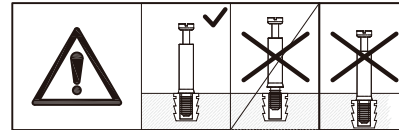
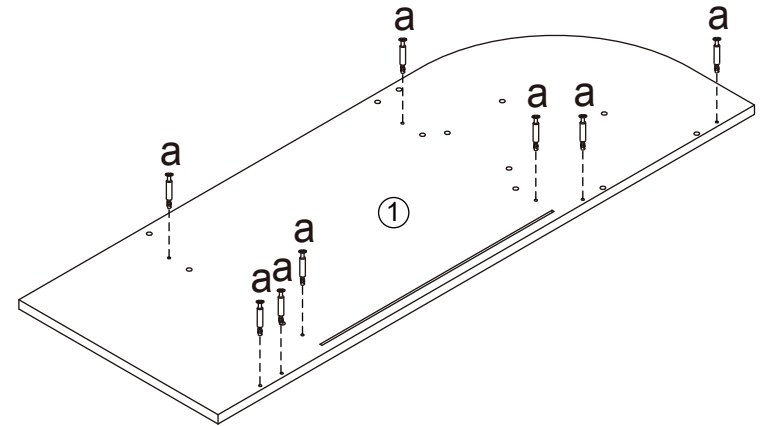
STEP 20  X4



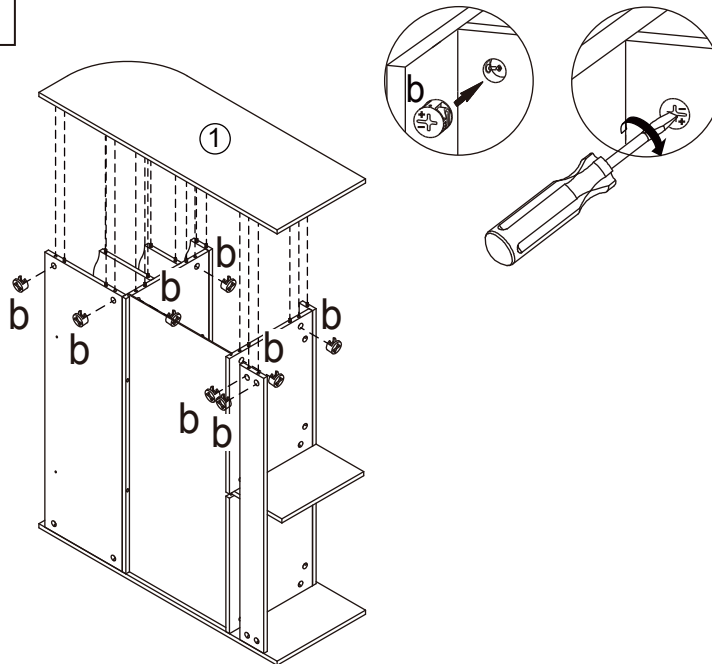
STEP 21  X4



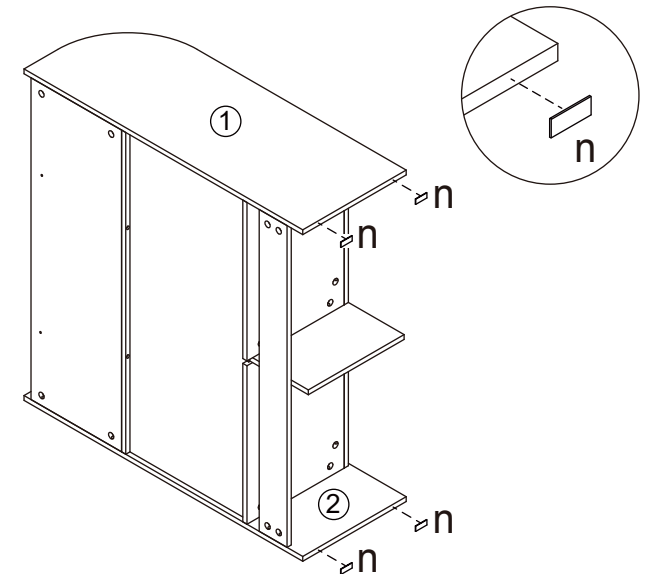
STEP 22  X8



STEP 23  X8



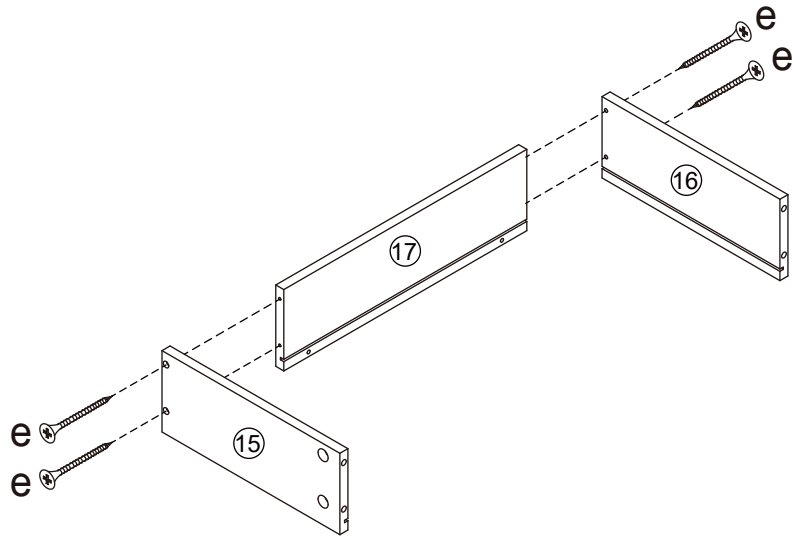
STEP 24  X4



STEP 25



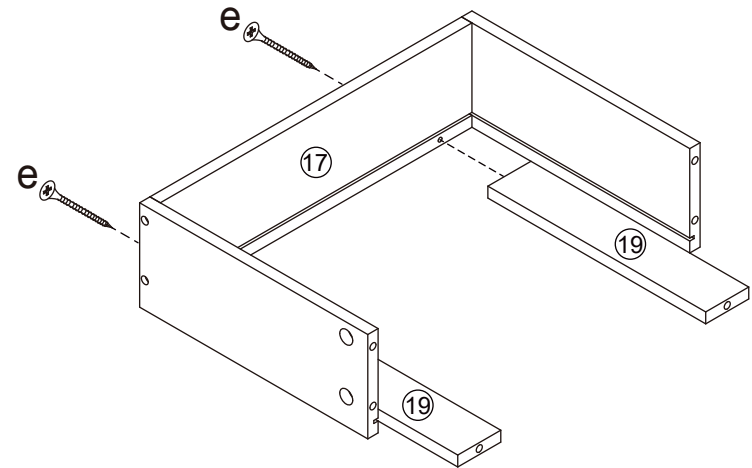
x 2



STEP 26

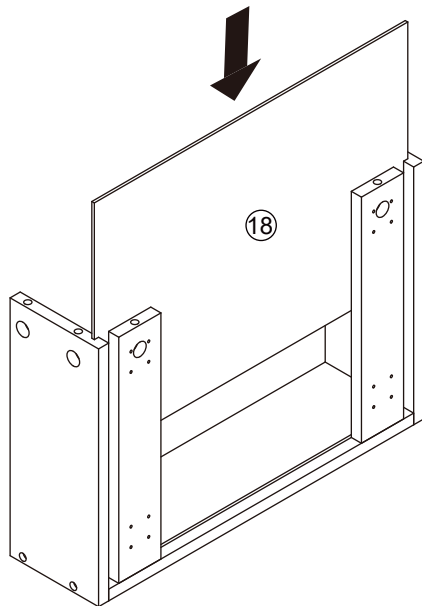


x 2

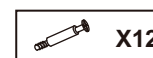


STEP 27

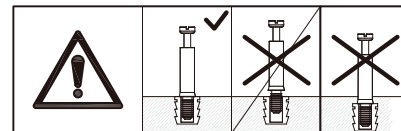
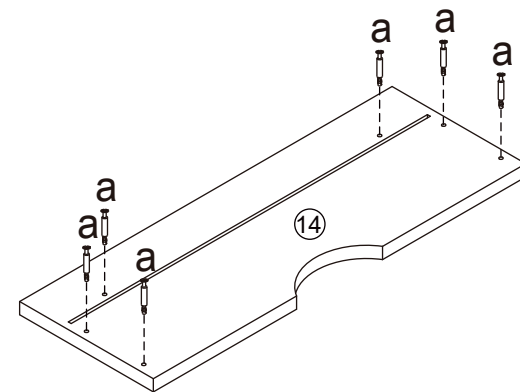
x 2




STEP 28

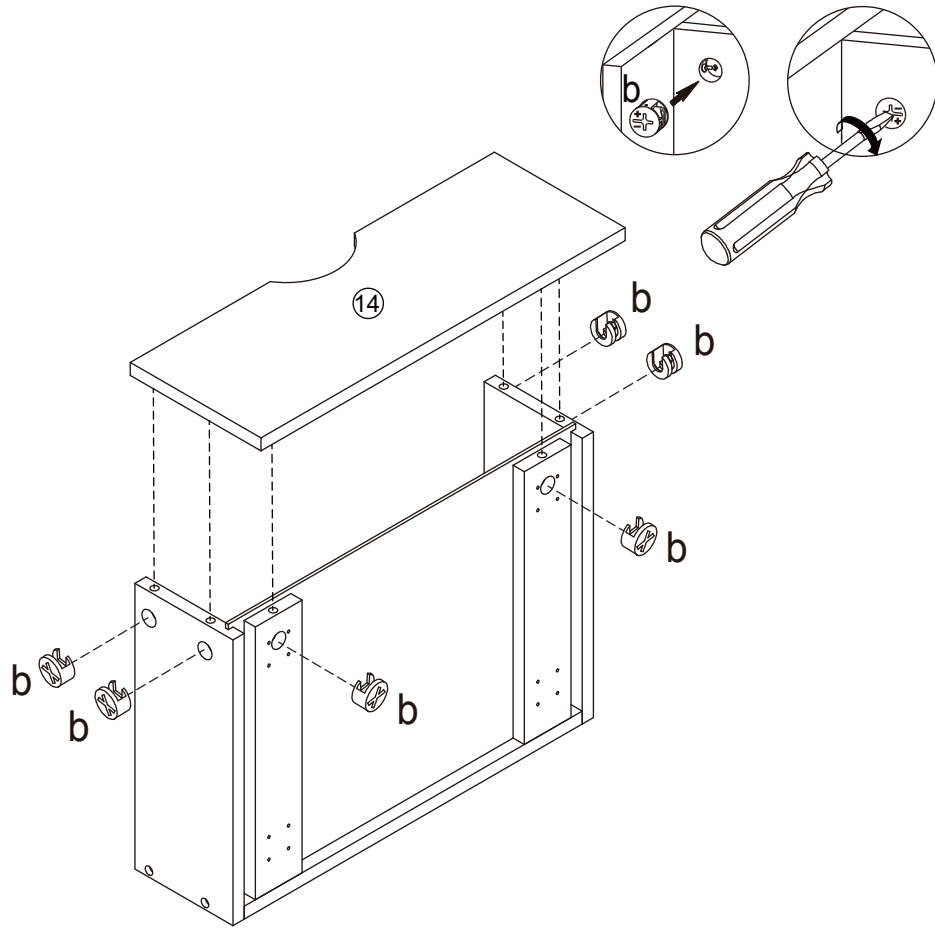


x 2



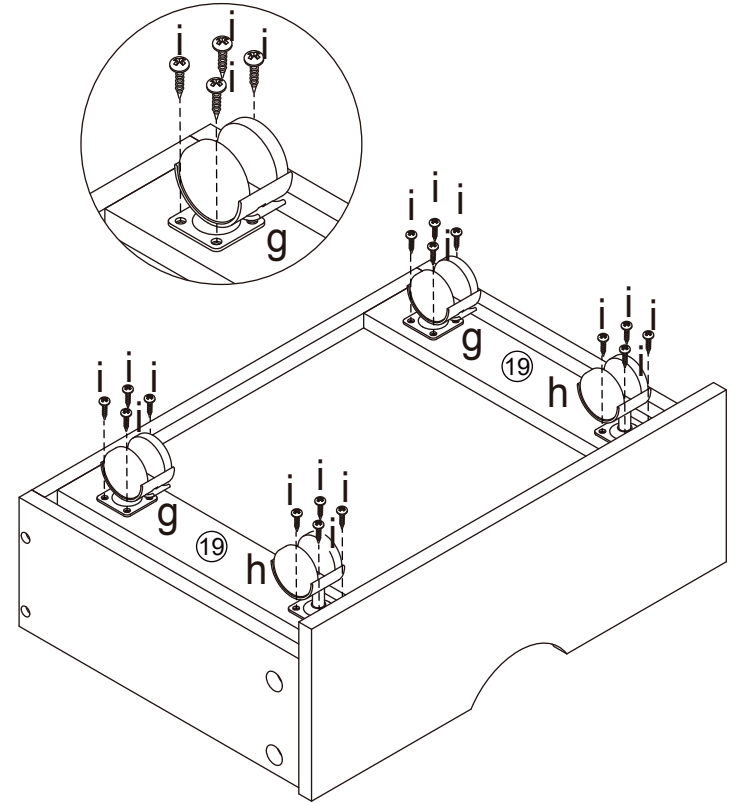
STEP 29  X12

x 2



STEP 30  X32  X4  X4

x 2



STEP 31



Warning:

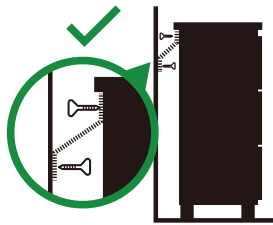
- ALWAYS secure it with an anchor device.
- Please seek professional advice if you are in doubt of what fixing device to use.
- Regularly check that anchors are securely maintained.
- Use safety drawer locks to prevent children climbing.
- Stability of tall items may be affected by thick pile carpet or uneven floors.
- Do not place unanchored televisions on furniture.

Caution: for your safety when attaching the anchor fixings, please note the following:

- Check any electrical wires or plumbing inside the wall before drilling any holes (if you are unsure please seek professional advice from a qualified tradesperson)



WARNING



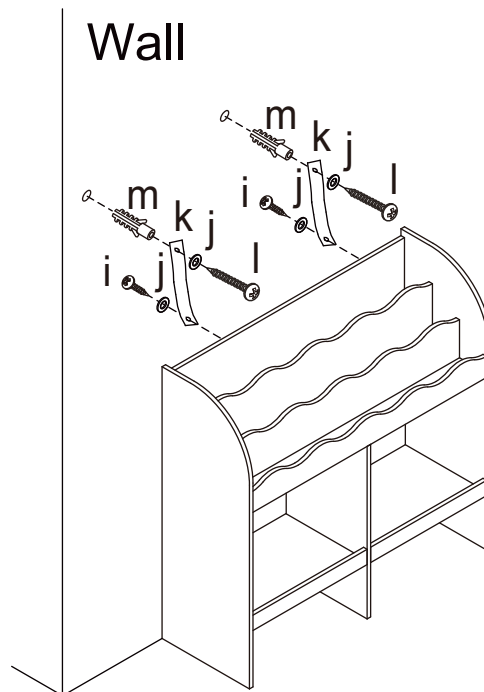
Children have died from furniture tipover.

- ALWAYS secure it with an anchor device.
- NEVER allow children to stand, climb or hang on drawers, doors, or shelves.
- NEVER open more than one drawer at a time.
- Place heavy items down low.

NEVER put a TV on this furniture



This is a permanent label. Do not remove!



STEP 32

