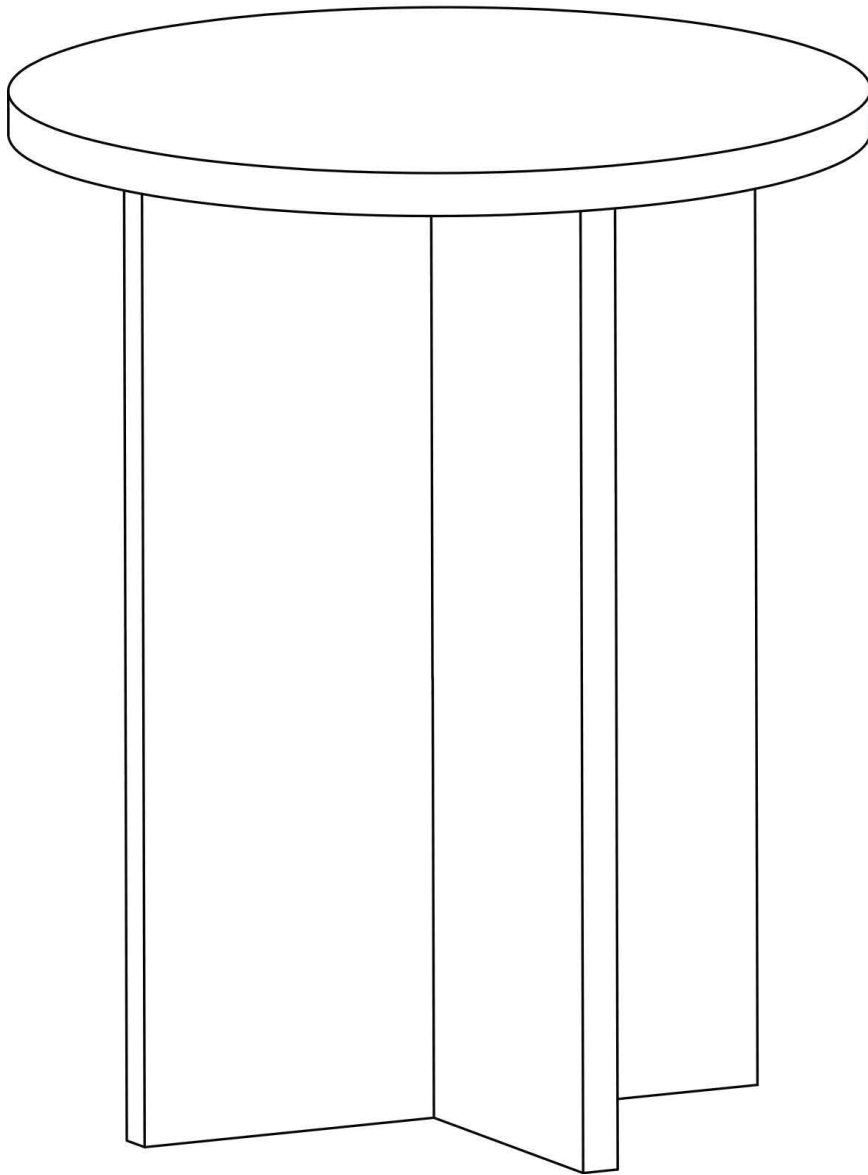


ROUND MARBLE LOOK SIDE TABLE

Instruction Manual



The photos and illustrations shown in this instruction manual are generic.
The manufacturer reserves the right to change any specification or feature without prior notice.

IMPORTANT: KEEP FOR FUTURE REFERENCE. READ CAREFULLY.

Assembly Instructions

K:43746866 | T:72743256 ROUND MARBLE LOOK SIDE TABLE

CARE INSTRUCTIONS:

TO BE ASSEMBLED ON A CLEAN, DRY AND SMOOTH SURFACE.

WIPE CLEAN WITH A SOFT DAMP CLOTH.

NEVER USE SCOURERS, ABRASIVES OR CHEMICAL SOLVENTS.

KEEP AWAY FROM MOISTURE AND DIRECT SUNLIGHT.

STORE IN A DRY PLACE.

WARNING:

DO NOT STAND, SIT OR LEAN ON THIS UNIT.

DO NOT USE THIS UNIT AS A STEP LADDER OR AS A CHOPPING SURFACE.

KEEP AWAY FROM CHILDREN AND BABIES.

ADULT ASSEMBLY REQUIRED.

USE ONLY ON A FLAT SURFACE.







CHECK AND TIGHTEN ALL PARTS REGULARLY.

FOR INDOOR AND DOMESTIC USE ONLY.


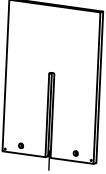
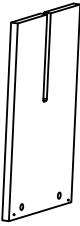
DO NOT USE THIS UNIT UNLESS ALL BOLTS AND SCREWS ARE FIRMLY SECURED.

MAXIMUM SAFE LOAD: 5kg.

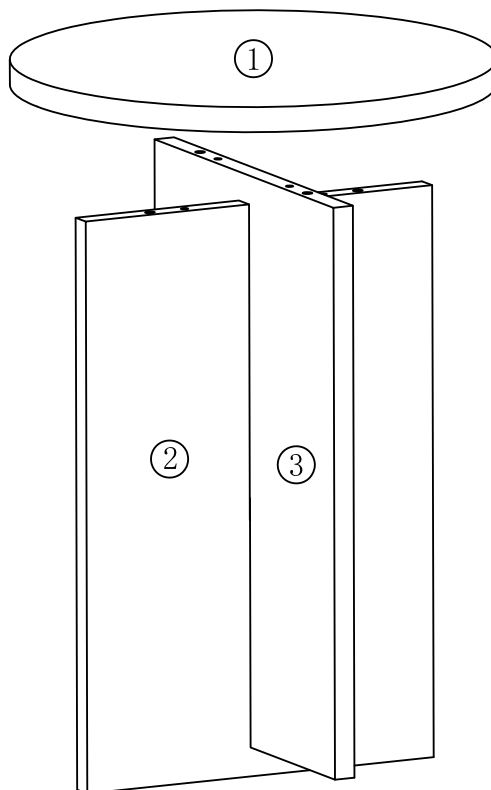
1 Hardware List

A		6X30mm	4	B		6X35mm	4	C		15X10mm	4	Q		4
E		3X12mm	8	P			4							

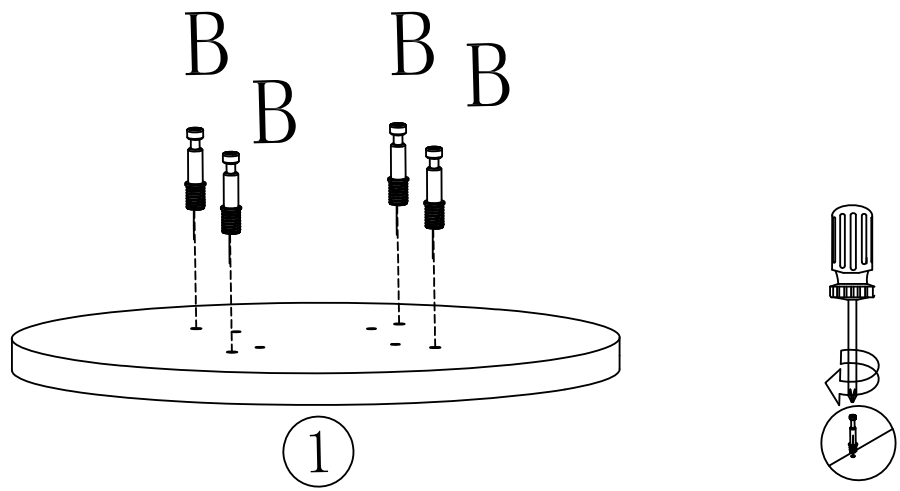
2 Parts List

			
①	1PC	②	1PC
		③	1PC

PANEL LAYOUT

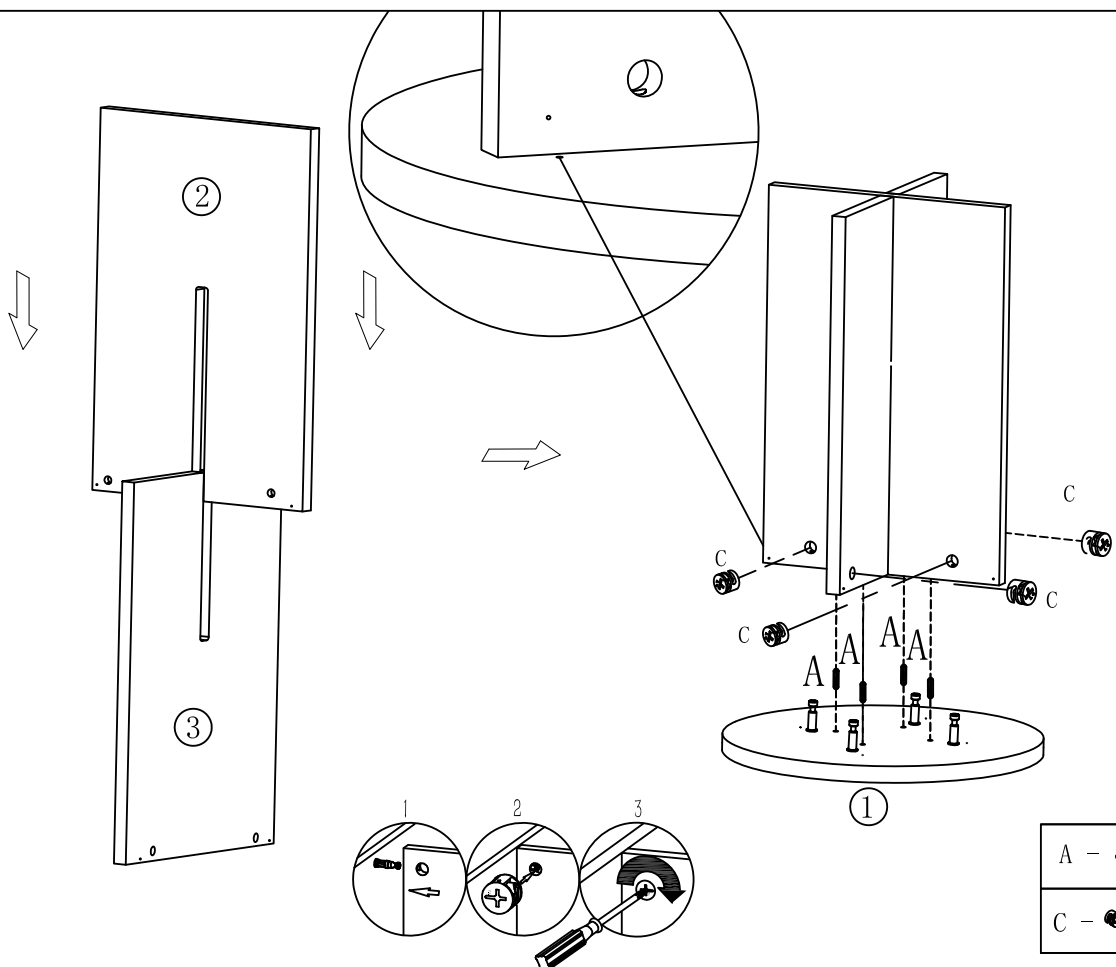


step:1



B -  X4

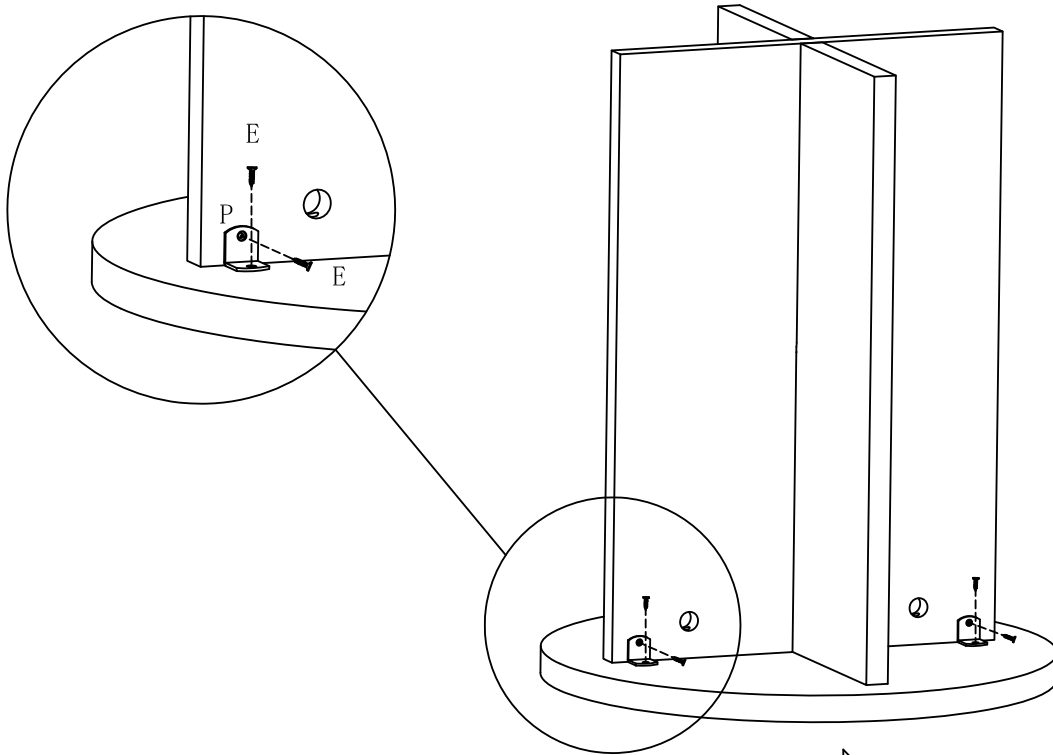
step:2





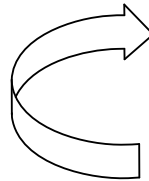
A -  X4

C -  X4

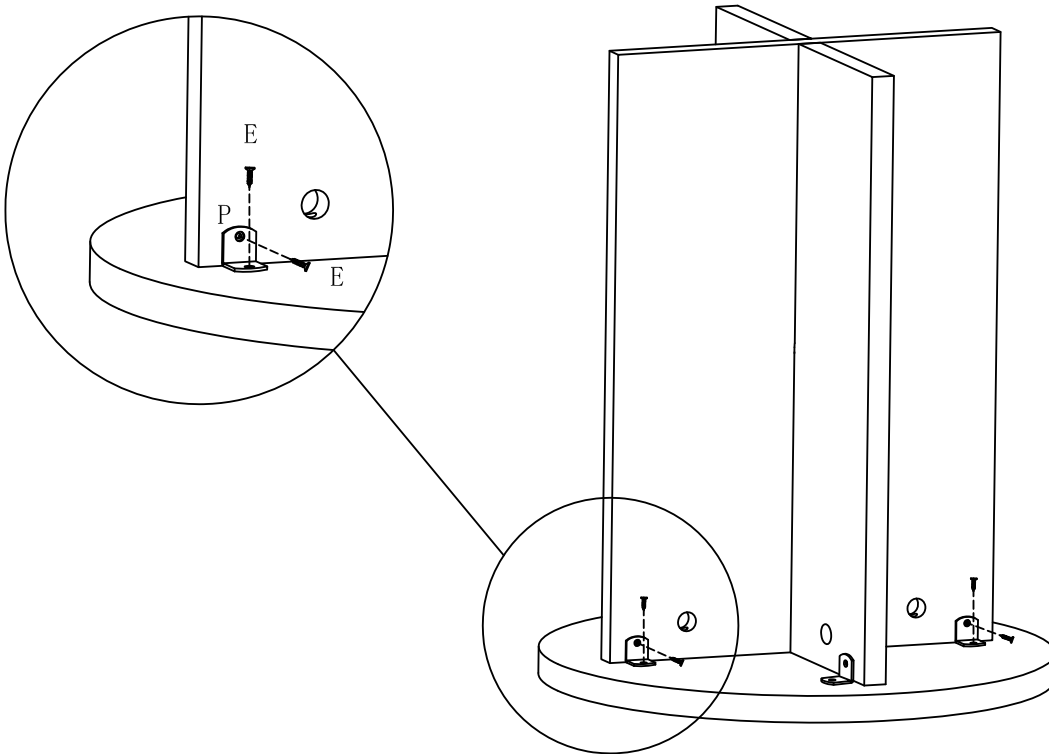
step:3





- | | | |
|-----|---|----|
| P - |  | X2 |
| E - |  | X4 |

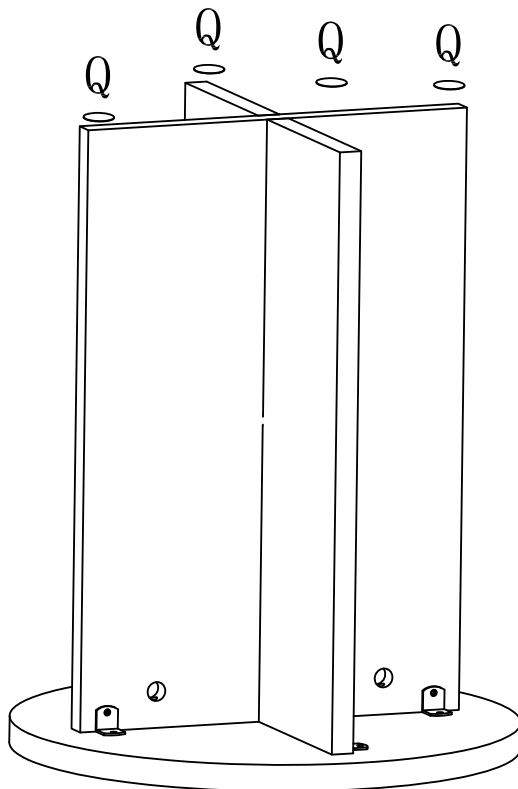


step:4



- | | | |
|-----|---|----|
| P - |  | X2 |
| E - |  | X4 |

step:5



Q - 4

