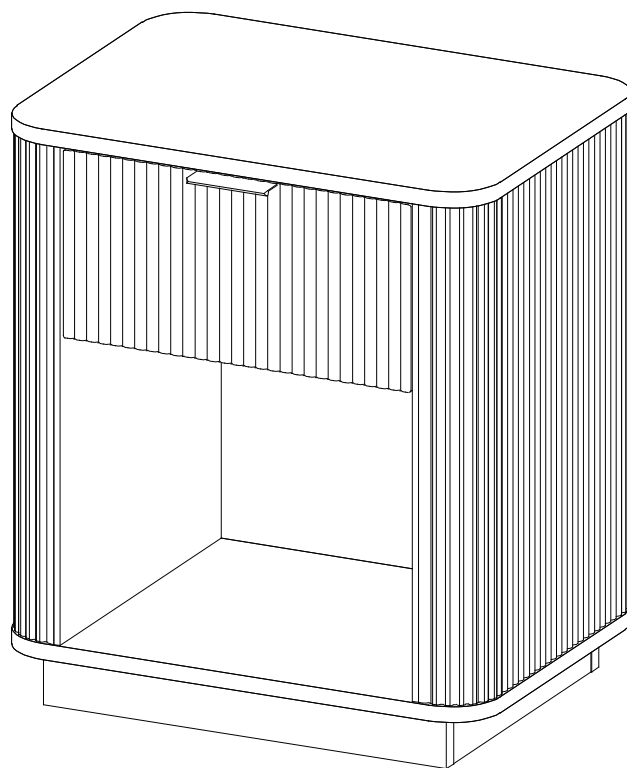


CLAIRE BEDSIDE TABLE

Instruction Manual



The photos and illustrations shown in this instruction manual are generic.
The manufacturer reserves the right to change any specification or feature without prior notice.

IMPORTANT: KEEP FOR FUTURE REFERENCE. READ CAREFULLY.

Assembly Instructions

K:43746842 / 43635764 T:72743249

CLAIRE BEDSIDE TABLE

WARNING:

DO NOT STAND, SIT OR LEAN ON THIS UNIT.

DO NOT USE THIS UNIT AS A STEP LADDER OR AS A CHOPPING SURFACE.

KEEP AWAY FROM CHILDREN AND BABIES.

ADULT ASSEMBLY REQUIRED.

USE ONLY ON A FLAT SURFACE.

DO NOT USE THIS UNIT UNLESS ALL BOLTS AND SCREWS ARE FIRMLY SECURED.

CARE INSTRUCTIONS:

TO BE ASSEMBLED ON A CLEAN, DRY AND SMOOTH SURFACE.

WIPE CLEAN WITH A SOFT DAMP CLOTH.

NEVER USE SCOURERS, ABRASIVES OR CHEMICAL SOLVENTS.

CHECK AND TIGHTEN ALL PARTS REGULARLY.

KEEP AWAY FROM MOISTURE AND DIRECT SUNLIGHT.



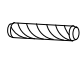





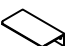

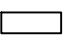

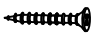

STORE IN A DRY PLACE.

FOR INDOOR AND DOMESTIC USE ONLY.







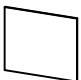







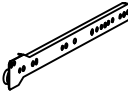
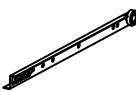
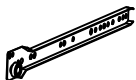
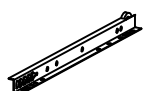
MAXIMUM SAFE LOAD:

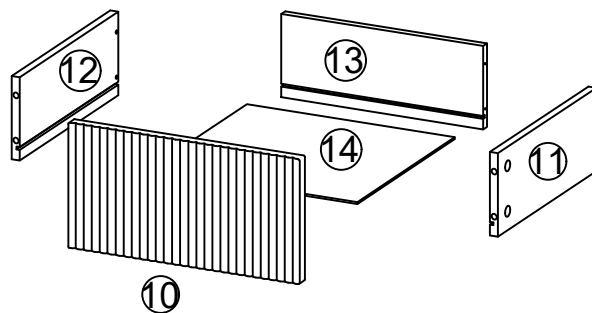
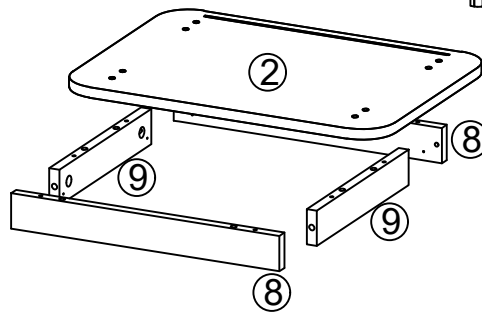
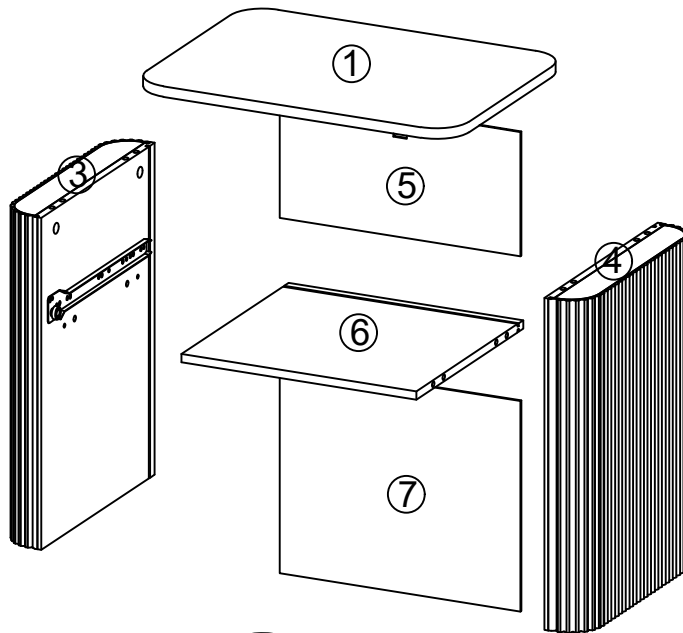
10KG FOR TOP PANEL, 5KG FOR SHELF, 5KG FOR DRAWER.


1 Hardware List

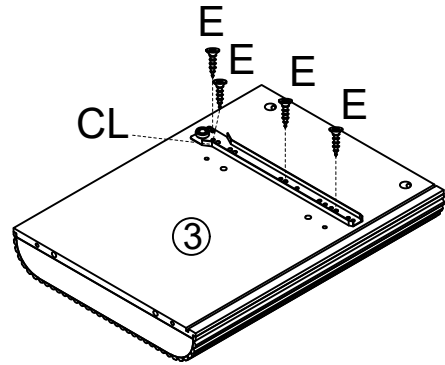
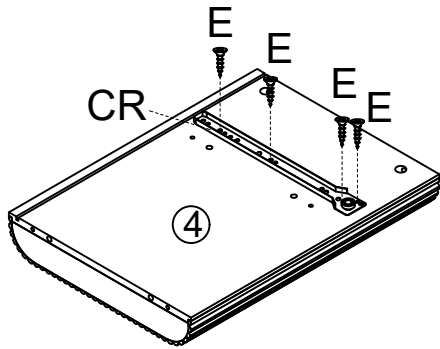
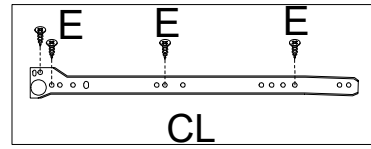
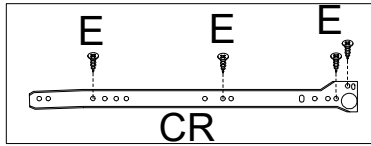
A		6x35mm	16pcs	B		15x10mm	16pcs	C		8x30mm	20pcs
D		7x38mm	4pcs	E		3.5x14mm	33pcs	F		4x48mm	8pcs
G		19*19*1.5mm	4pcs	H		4mm	1pc	I			1pc
J			8pcs	K		25*15*3mm	4pcs	L			1pc
M		4x35mm	5pcs	N		6x30mm	1pc				


2 Parts List

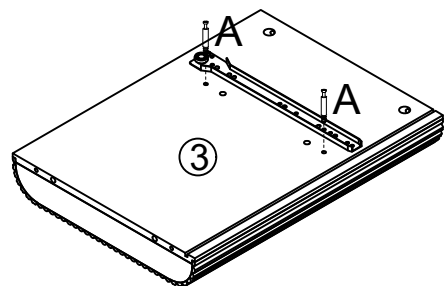
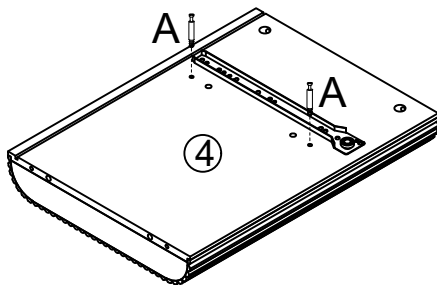
							
①	1pc	②	1pc	③	1pc	④	1pc
							
⑤	1pc	⑥	1pc	⑦	1pc	⑧	2pcs
							
⑨	2pcs	⑩	1pc	⑪	1pc	⑫	1pc
							
⑬	1pc	⑭	1pc	CR	1pc	DR	1pc
							
CL	1pc	DL	1pc				



STEP 1  E×8

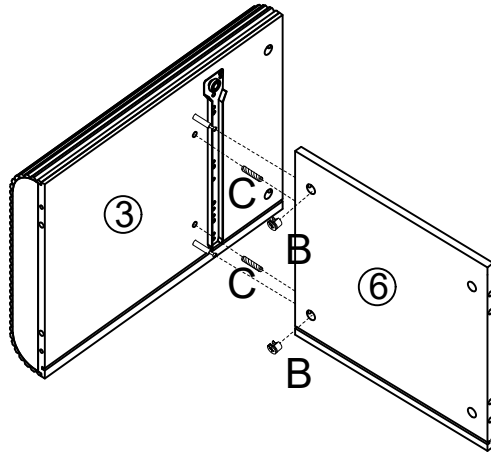


STEP 2  A×4





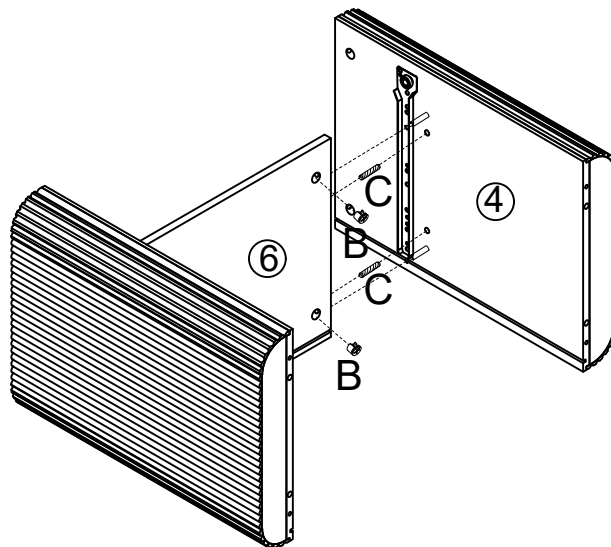
STEP 3

 B×2  C×2

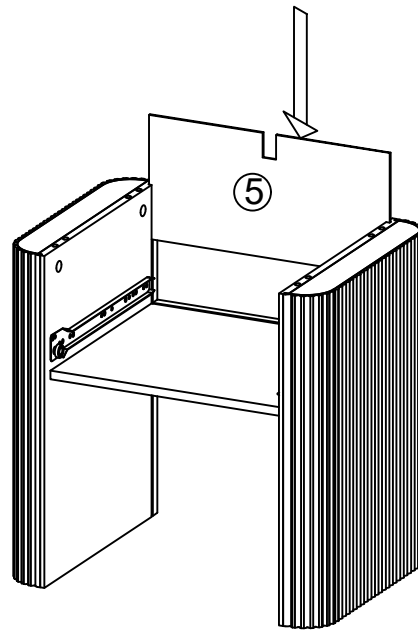


STEP 4




 B×2  C×2

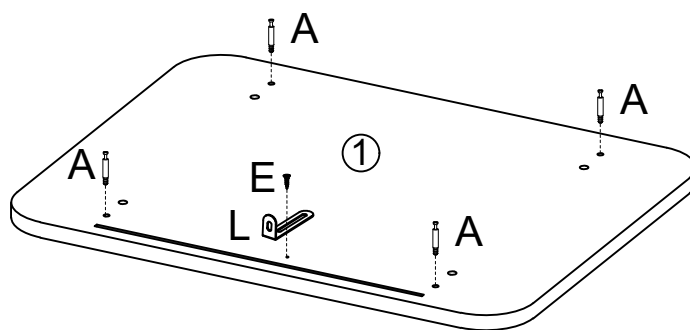


STEP 5

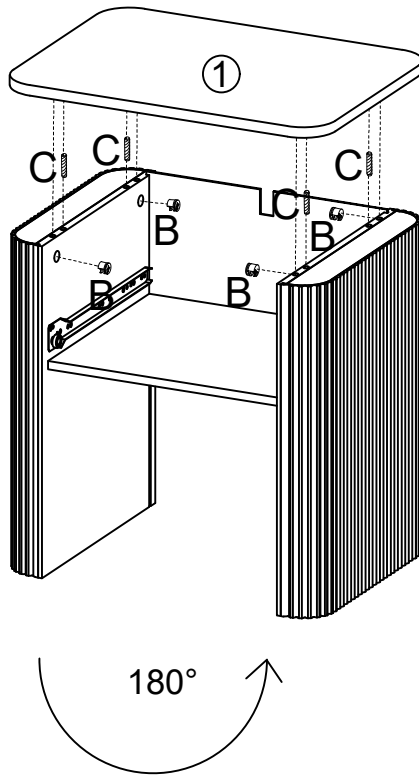
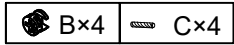


STEP 6

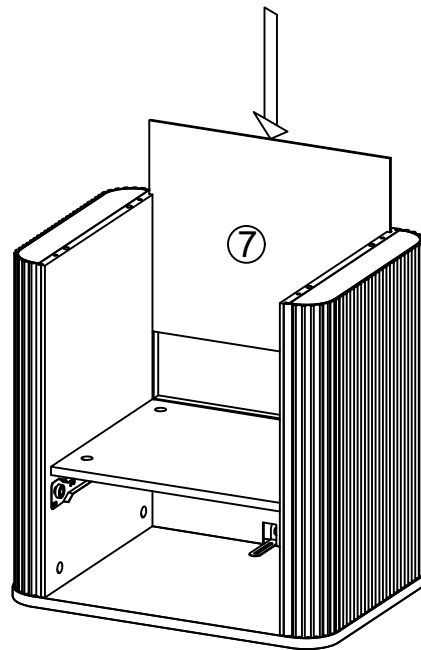
 A×4  L×1  E×1



STEP 7

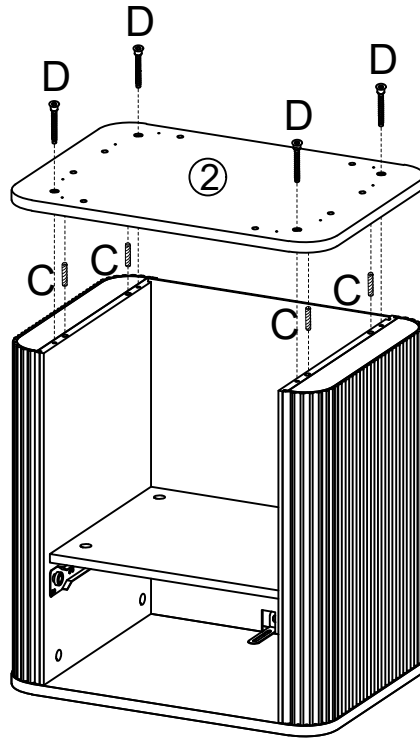


STEP 8



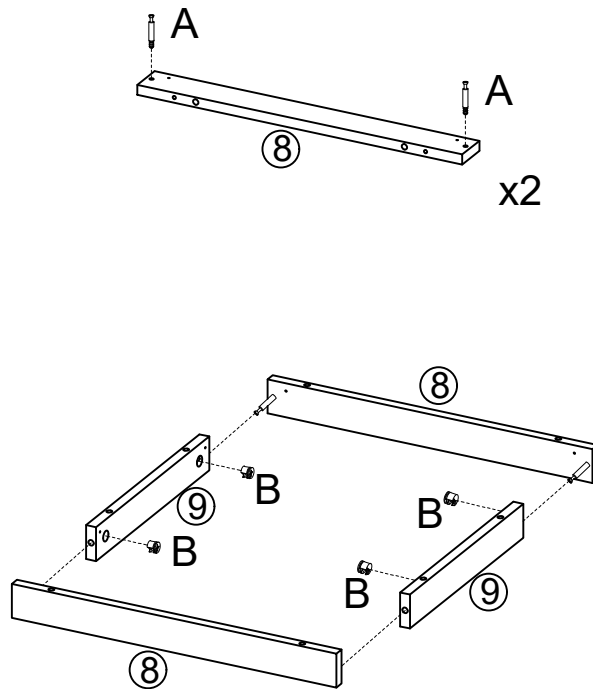
STEP 9

D×4 C×4

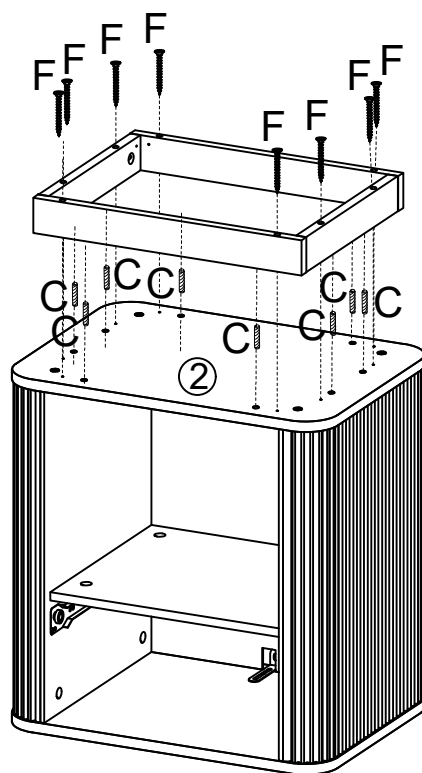


STEP 10

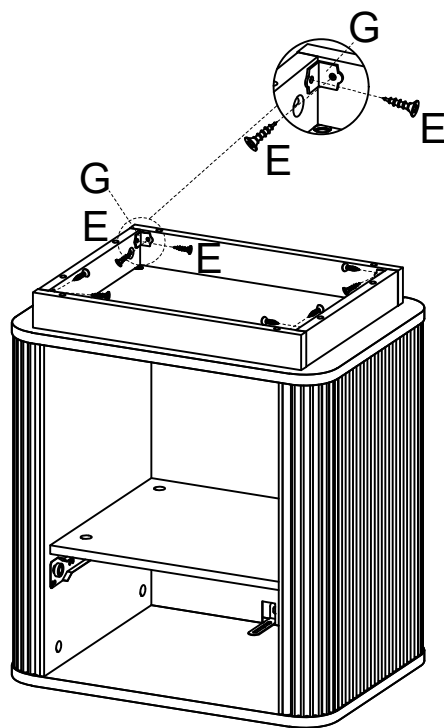
A×4 B×4




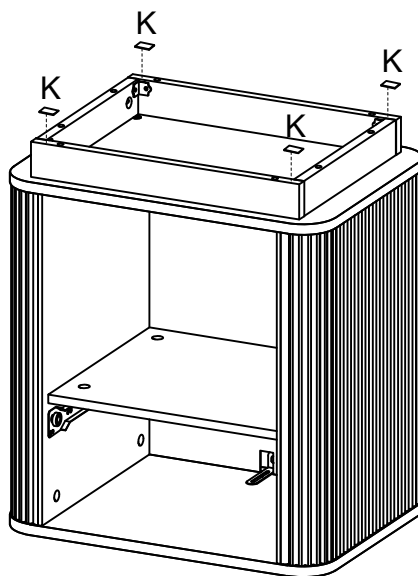
STEP 11  F×8  C×8





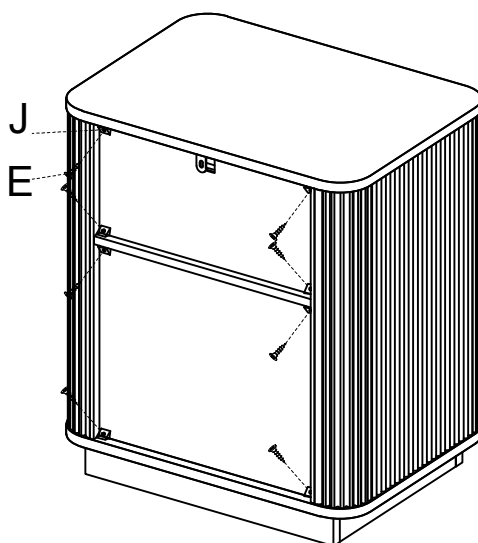
STEP 12  G×4  E×8




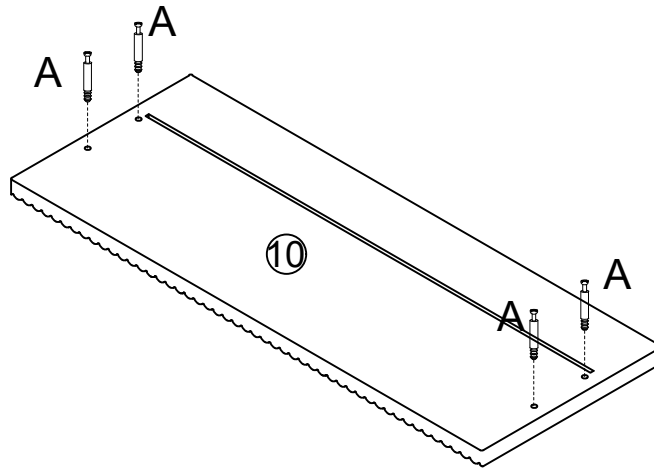
STEP 13  K×4




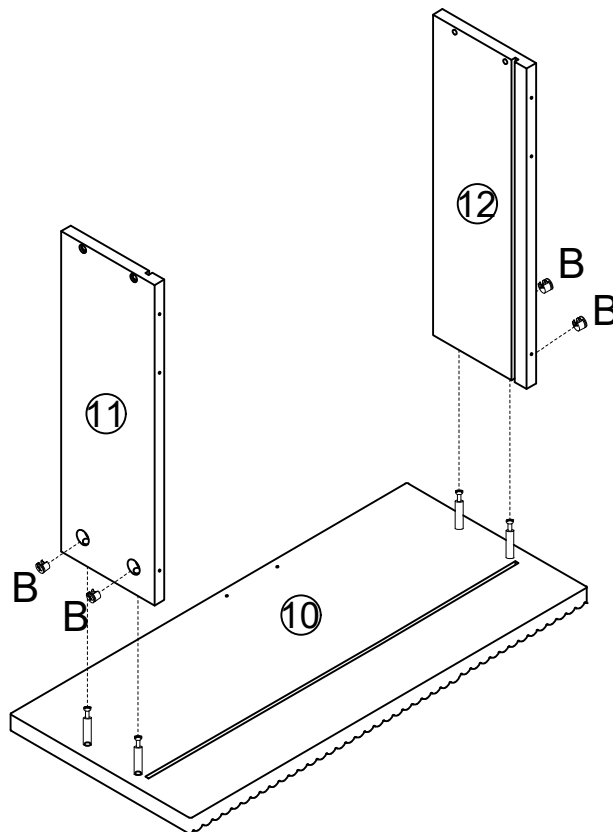
STEP 14  J×8  E×8



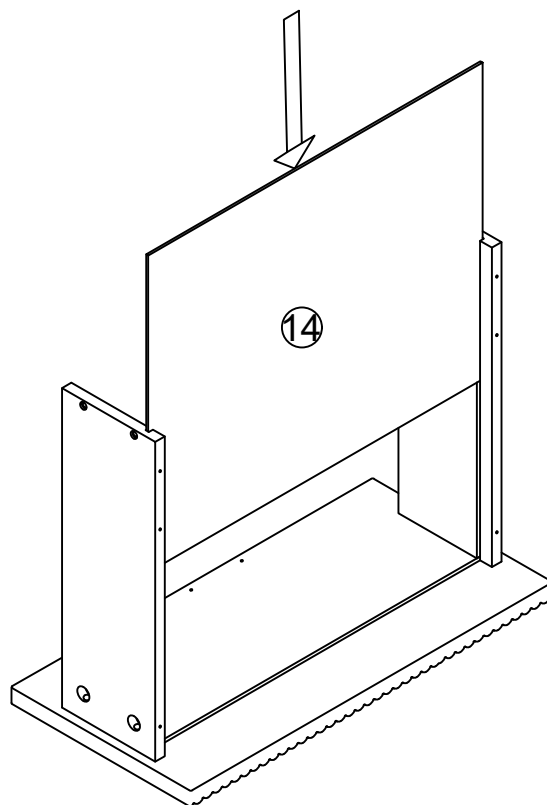
STEP 15  A×4



STEP 16  B×4

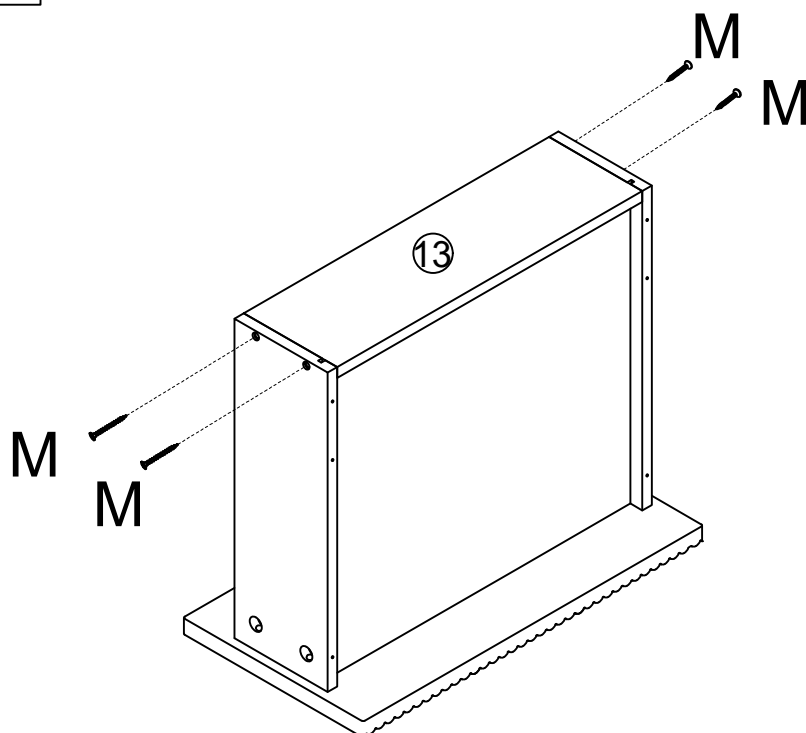



STEP 17

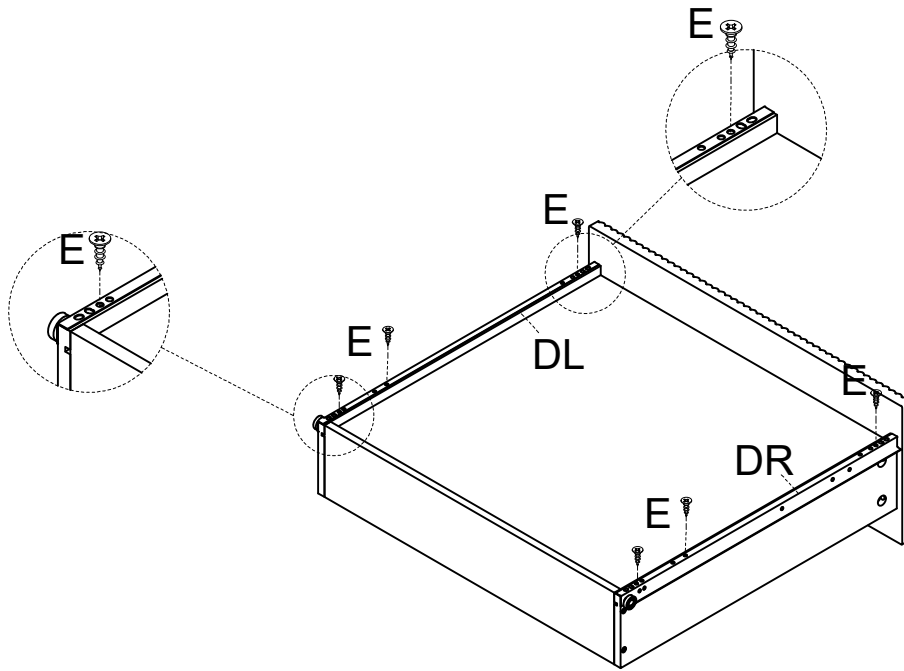


STEP 18

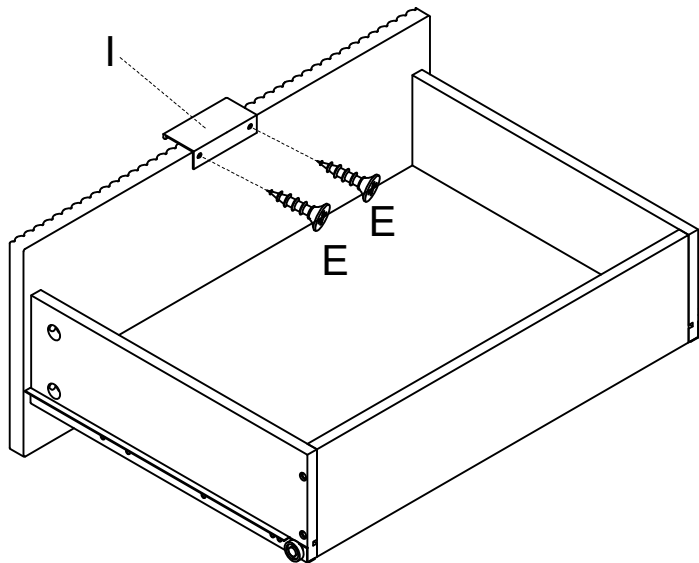
✓ M×4


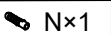


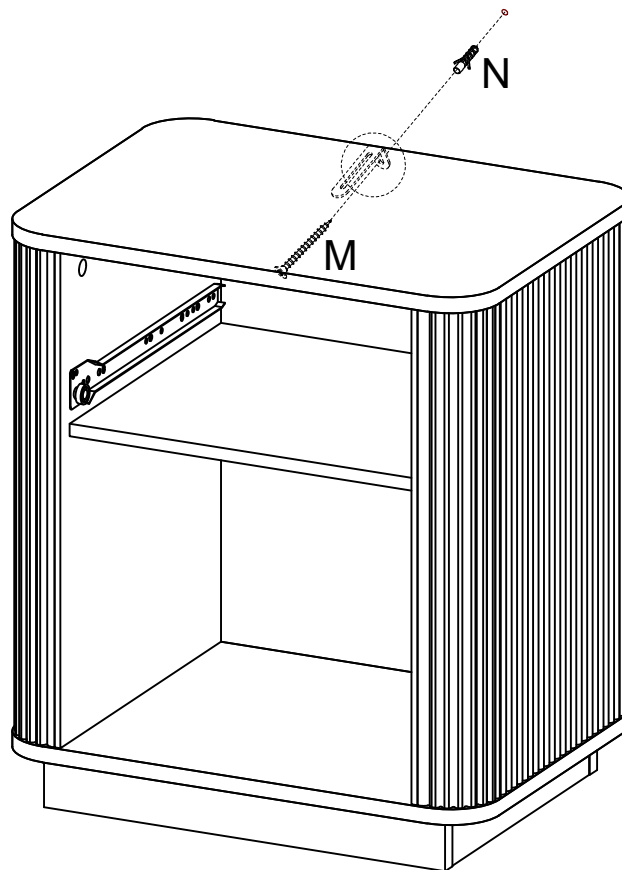
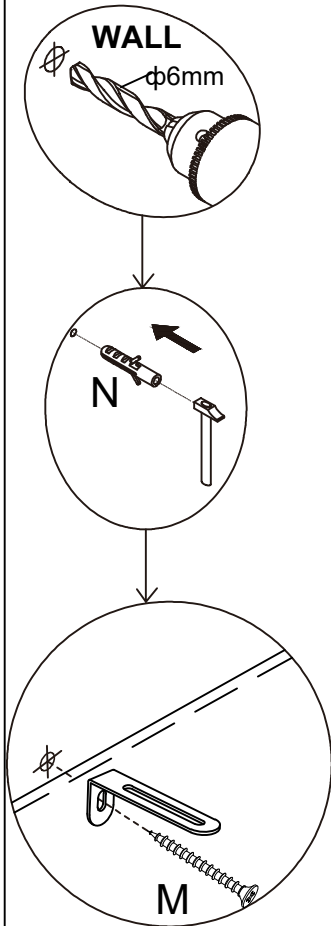
STEP 19  E×6



STEP 20  E×2  I×1



STEP 21  M×1  N×1



⚠ WARNING





Children have died from furniture tipover.

- ALWAYS secure it with an anchor device.
- NEVER allow children to stand, climb or hang on drawers, doors, or shelves.
- NEVER open more than one drawer at a time.
- Place heavy items down low.
- Furniture type is at risk of toppling over.

NEVER put a TV on this furniture

This is a permanent label. Do not remove!

TOPPLING FURNITURE WARNING:

- ALWAYS secure it with an anchor device.
- Please seek professional advice if you are in doubt of what fixing device to use.
- Regularly check that anchors are securely maintained.
- Use safety drawer locks to prevent children climbing.
- Stability of tall items may be affected by thick pile carpet or uneven floors .
- Do not place unanchored televisions on furniture .

CAUTION: for your safety when attaching the anchor fixings, please note the following:

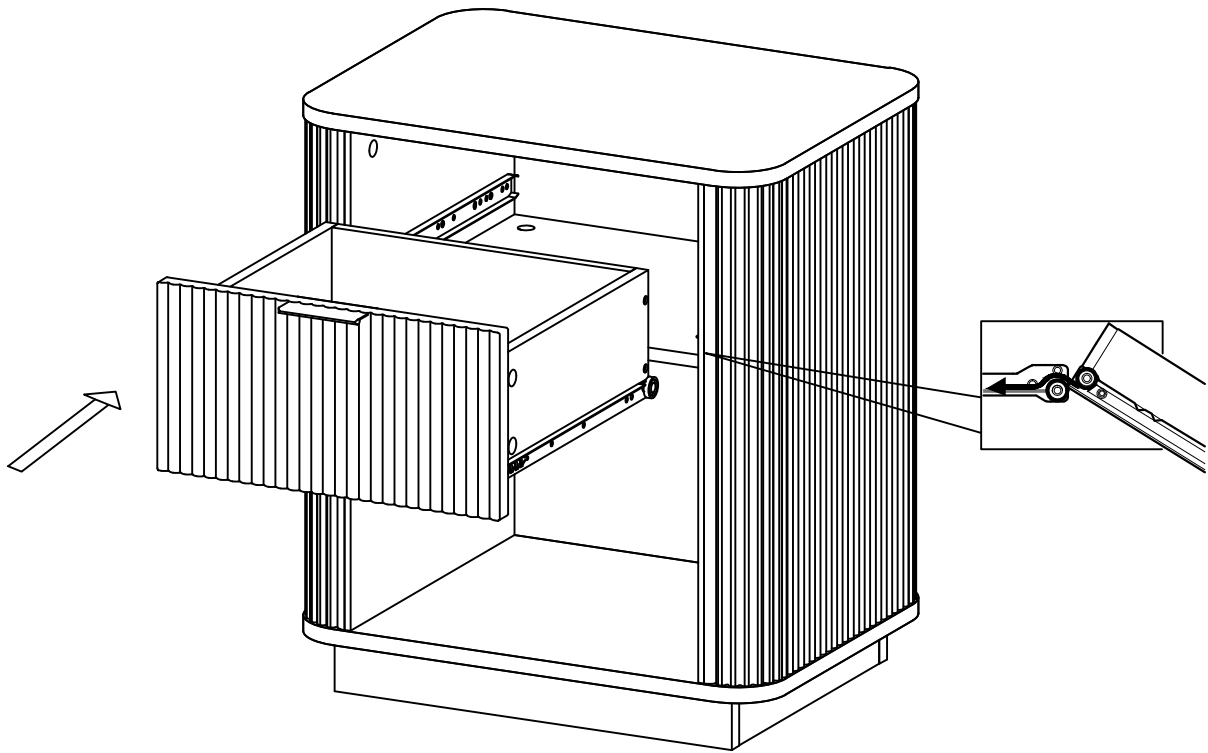
- Check any electrical wires or plumbing inside the wall before drilling any holes (if you are unsure please seek professional advice from a qualified tradesperson).



WARNING: PLEASE SECURE YOUR FURNITURE WITH THE SUPPLIED WALL FIXING. SCAN THE CODE FOR MORE INFORMATION.



STEP 22



STEP 23

