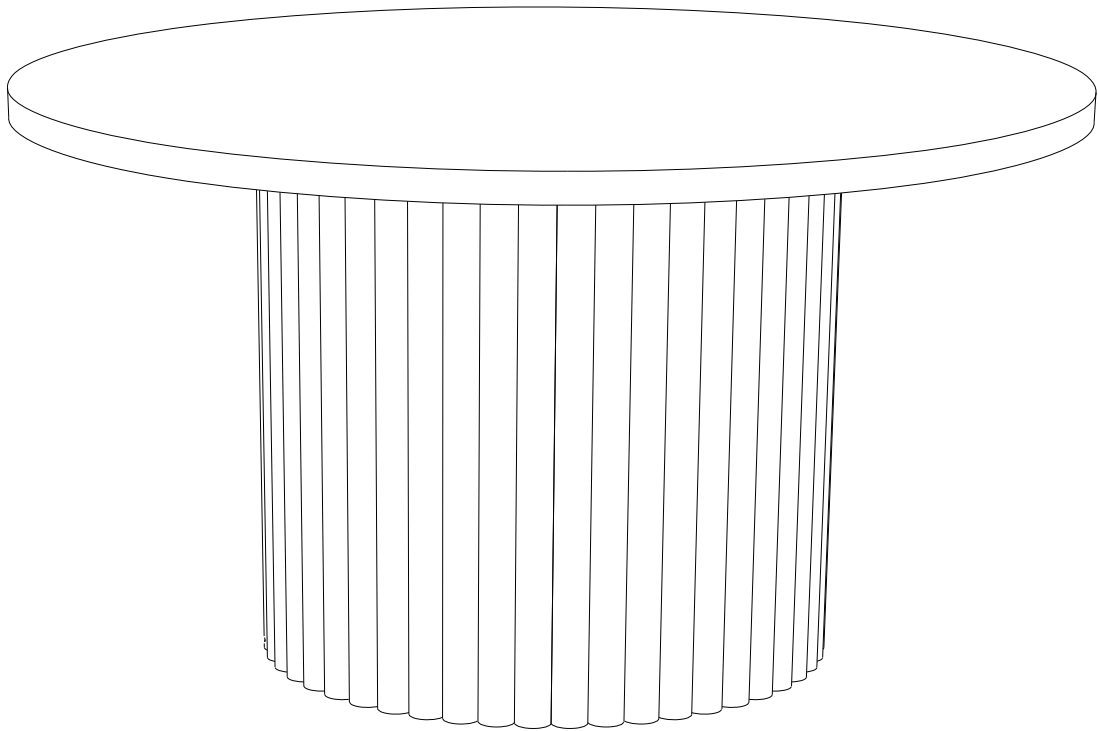


# RYAN RIBBED COFFEE TABLE

## Instruction Manual



The photos and illustrations shown in this instruction manual are generic.  
The manufacturer reserves the right to change any specification or feature without prior notice.

**IMPORTANT: KEEP FOR FUTURE REFERENCE. READ CAREFULLY.**

# Assembly Instructions

## 43741038/43636600/43636549 RYAN RIBBED COFFEE TABLE

### **CARE INSTRUCTIONS:**

WIPE CLEAN WITH A DRY CLOTH. DO NOT USE ABRASIVE MATERIALS AND SOLVENTS.

CHECK AND TIGHTEN ALL PARTS REGULARLY.

PLEASE LAY FURNITURE ON THE CARPET TO AVOID ANY DIRTY OR DAMAGE ON THE TEXTURE DURING ASSEMBLY.

KEEP AWAY FROM WATER AND DIRECT SUNLIGHT.

STORE IN A DRY PLACE.

FOR INDOOR AND DOMESTIC USE ONLY.

A MILD ODOUR MAY BE PRESENT WHEN FIRST OPENING THIS CARTON.

SIMPLY ALLOW TO AIR OUTSIDE AND THIS WILL FADE.

### **WARNING:**

DO NOT STAND OR SIT ON THIS UNIT.

DO NOT USE THIS UNIT UNLESS ALL BOLTS AND SCREWS ARE FIRMLY SECURED.

DO NOT KNOCK OR DRAG THIS UNIT.

USE ONLY ON A FLAT SURFACE.

DO NOT PLACE HOT ITEMS SUCH AS COFFEE CUPS DIRECTLY ON THE SURFACE.







ADULT ASSEMBLY REQUIRED.

FAILURE TO FOLLOW THESE WARNINGS COULD RESULT IN SERIOUS INJURY.

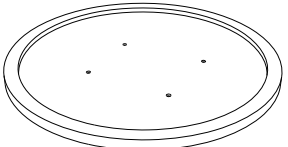
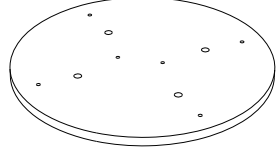
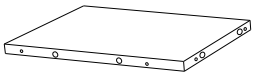
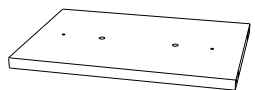
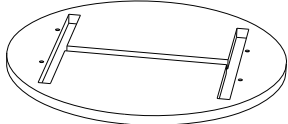
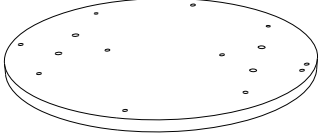
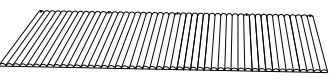
THIS PACKAGE CONTAINS SMALL PARTS AND SHARP POINTS. KEEP AWAY FROM CHILDREN AND BABIES.

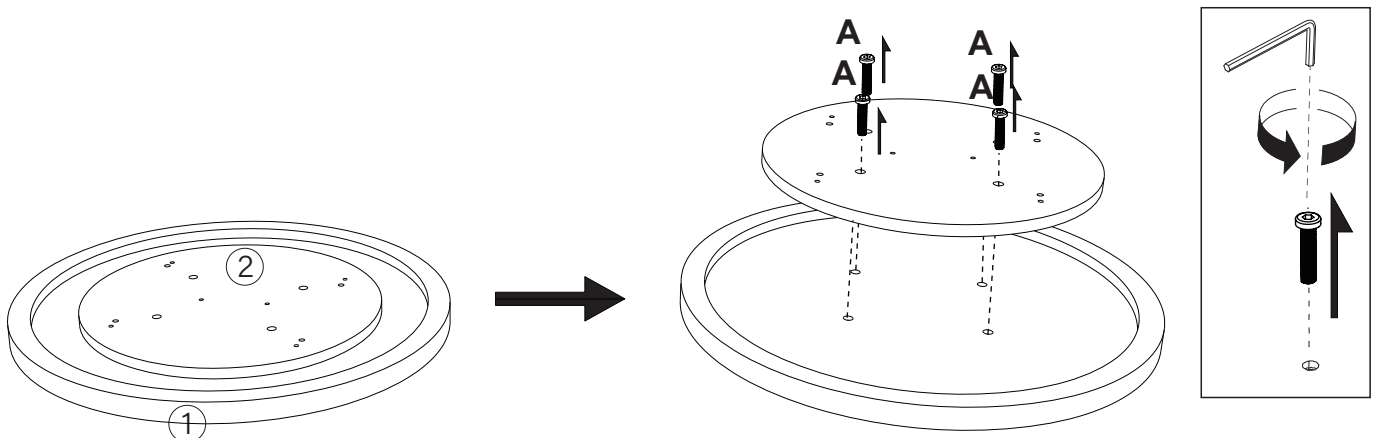
**MAXIMUM SAFE LOAD: 10KG FOR TOP.**

# 1 Hardware List

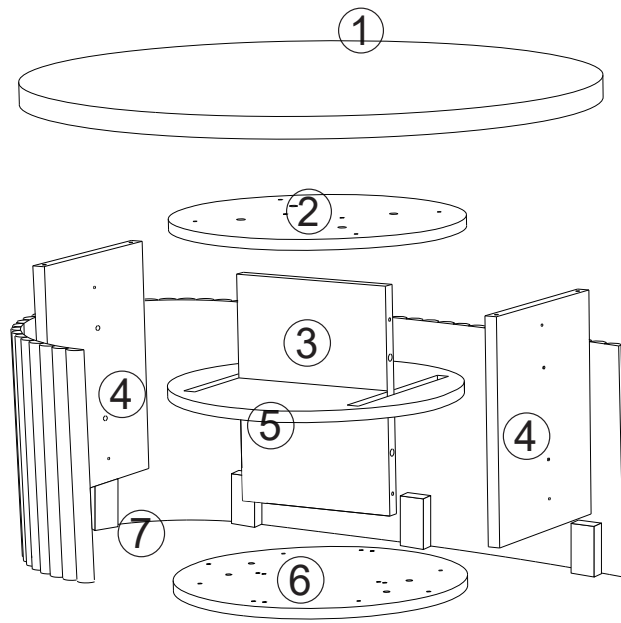
	A	M6x20mm	4PCS		B	M4x12mm	8PCS		C	M3.5x30mm	26PCS
	D		12PCS		E		4PCS		F		1PC
	G		4PCS								

# 2 Parts List



	①	1pc		②	1pc		③	1pc		④	2pcs
	⑤	1pc		⑥	1pc		⑦	1pc			

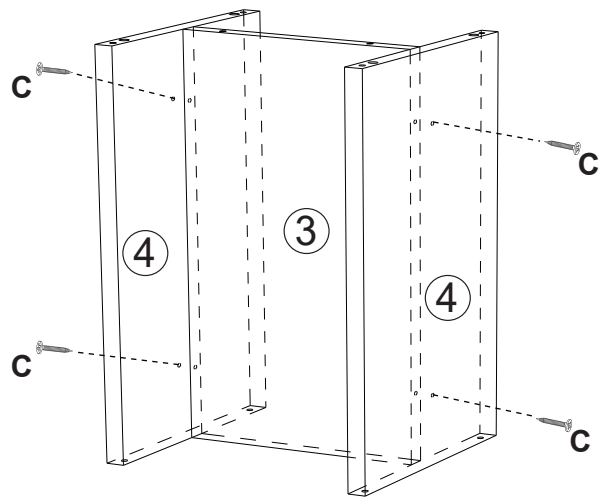
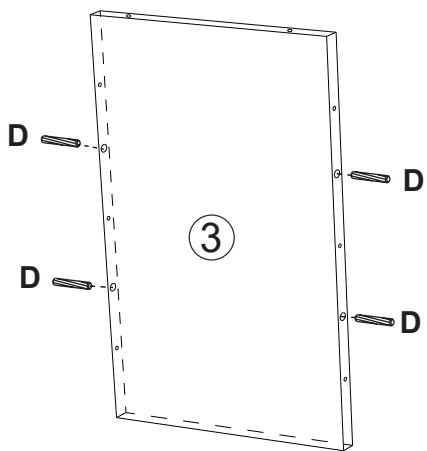




**Components 1 and 2 are pre-assembled and need to be separated first.**

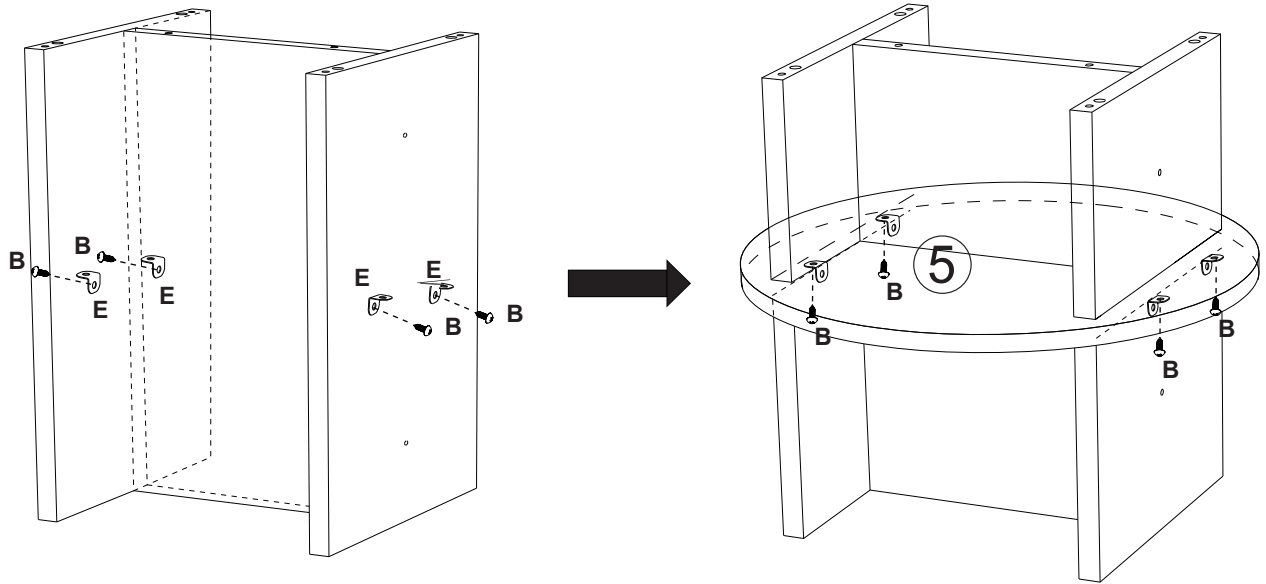




**ATTENTION:**  
**DO NOT TIGHTEN THE SCREWS FULLY**  
**DURING ASSEMBLY. FULLY TIGHTEN**  
**SCREWS AFTER THE FINAL ASSEMBLY**  
**STEP.**

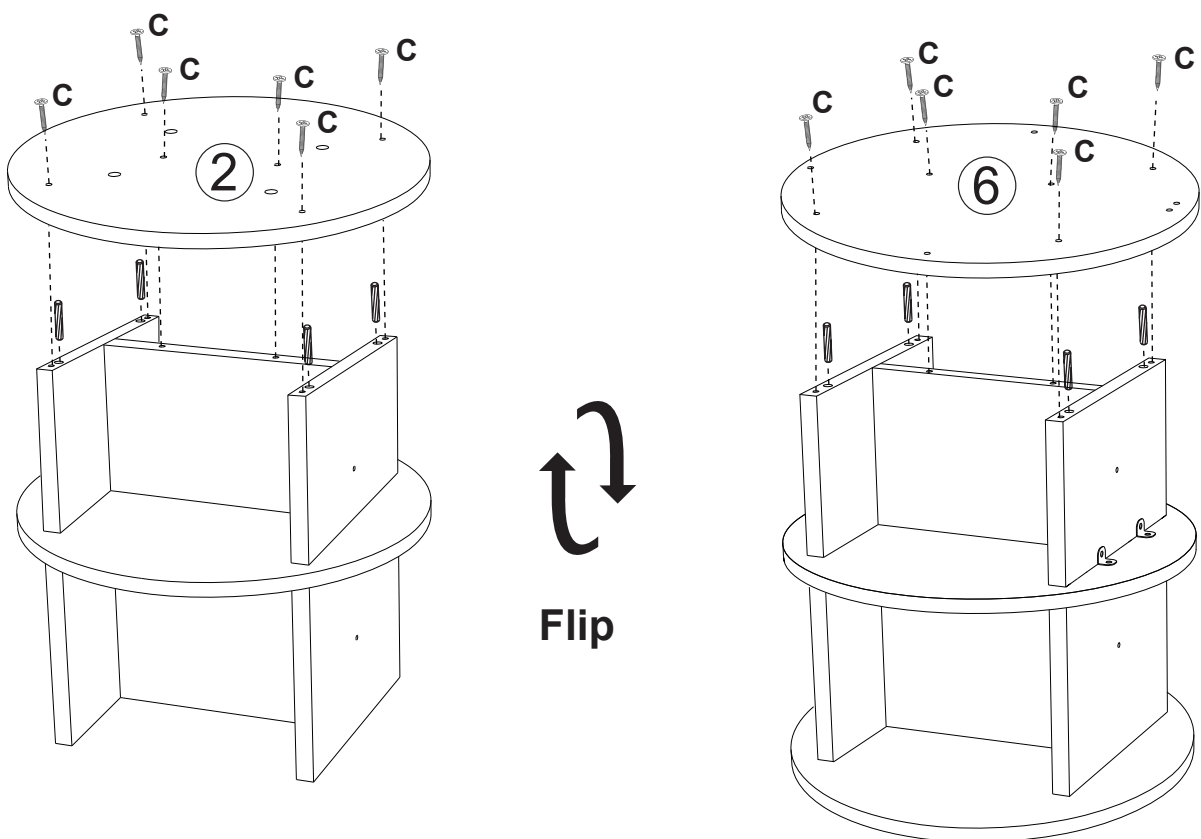
**STEP 1** C-  x4 D-  x4



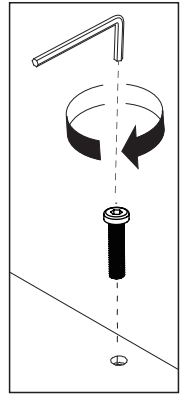
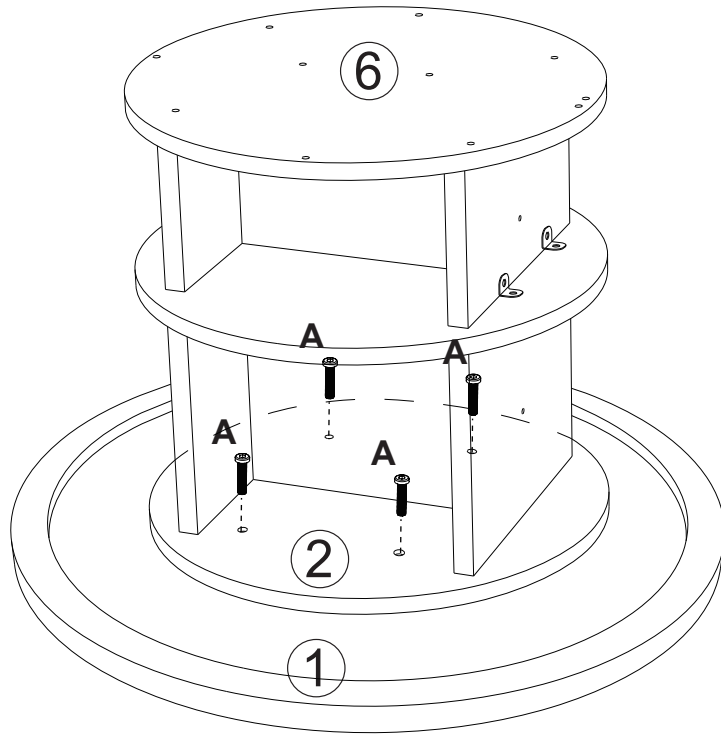
STEP 2 **B-**  x 8 **E-**  x 4



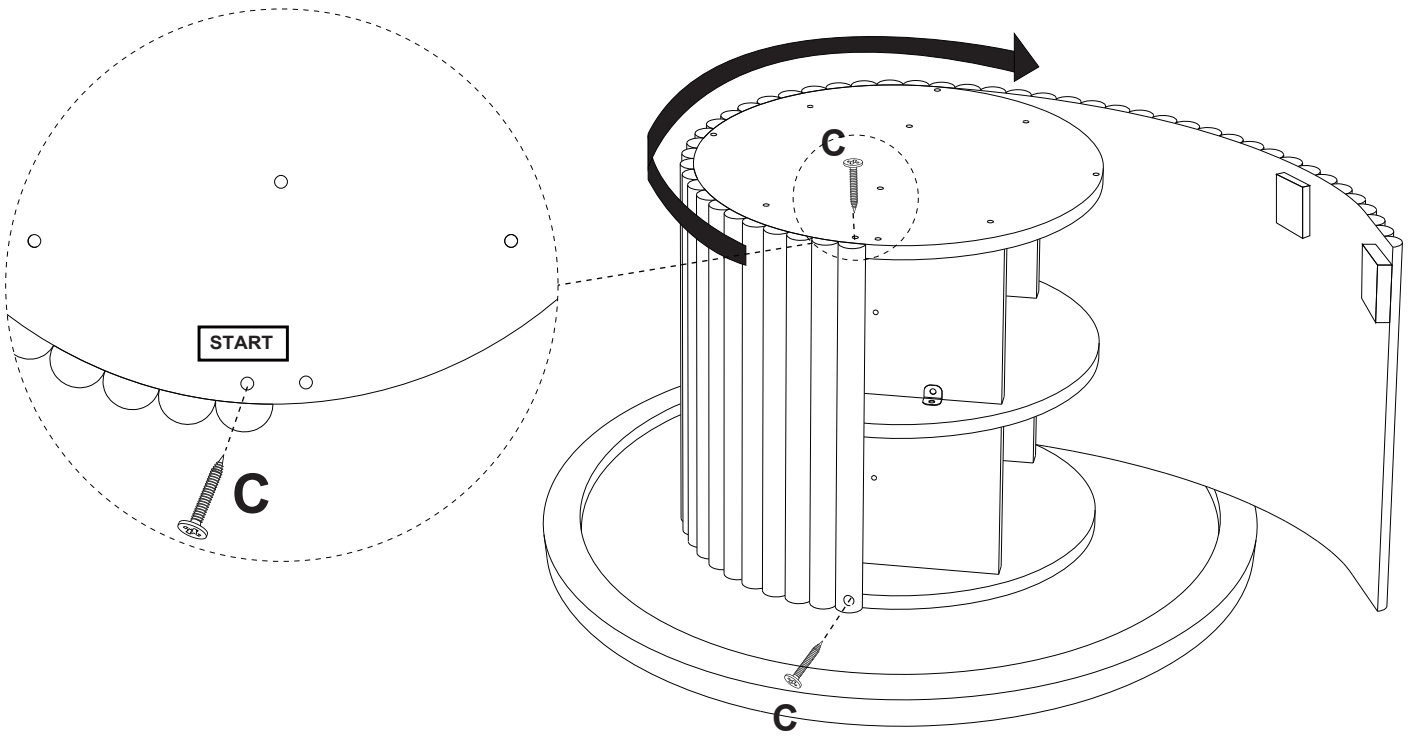
STEP 3 **C-**  x12 **D-**  x8



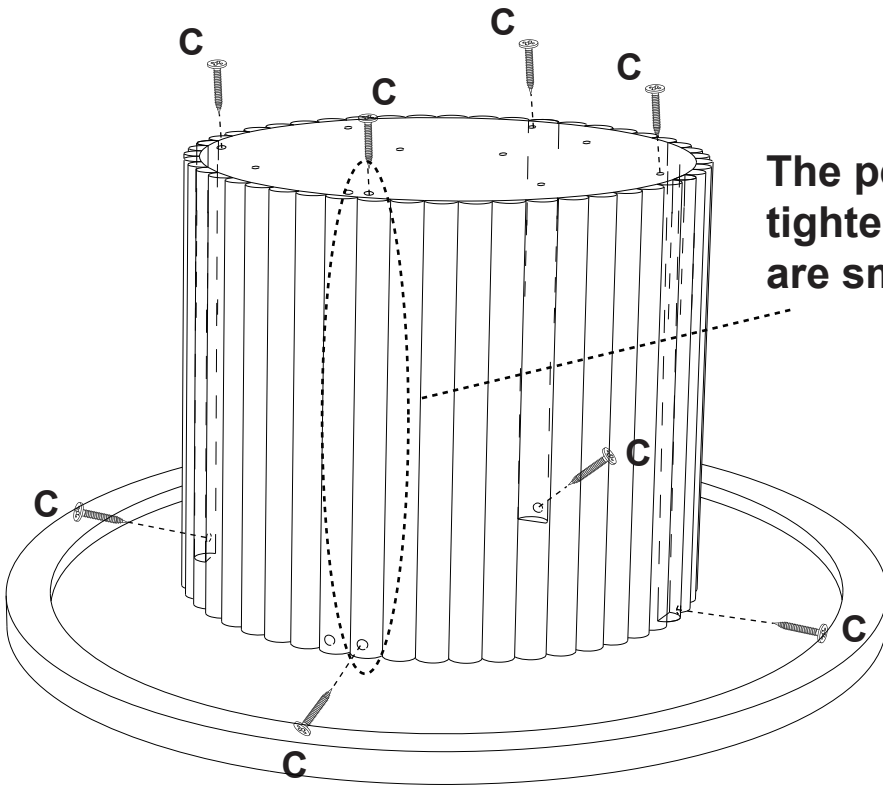
STEP 4 **A** -  x 4



STEP 5 **C** -  x 2



STEP 6  C -  $\times 8$



The perimeter needs to be tightened so that the gaps are small enough.

STEP 7  G -  $\times 4$

