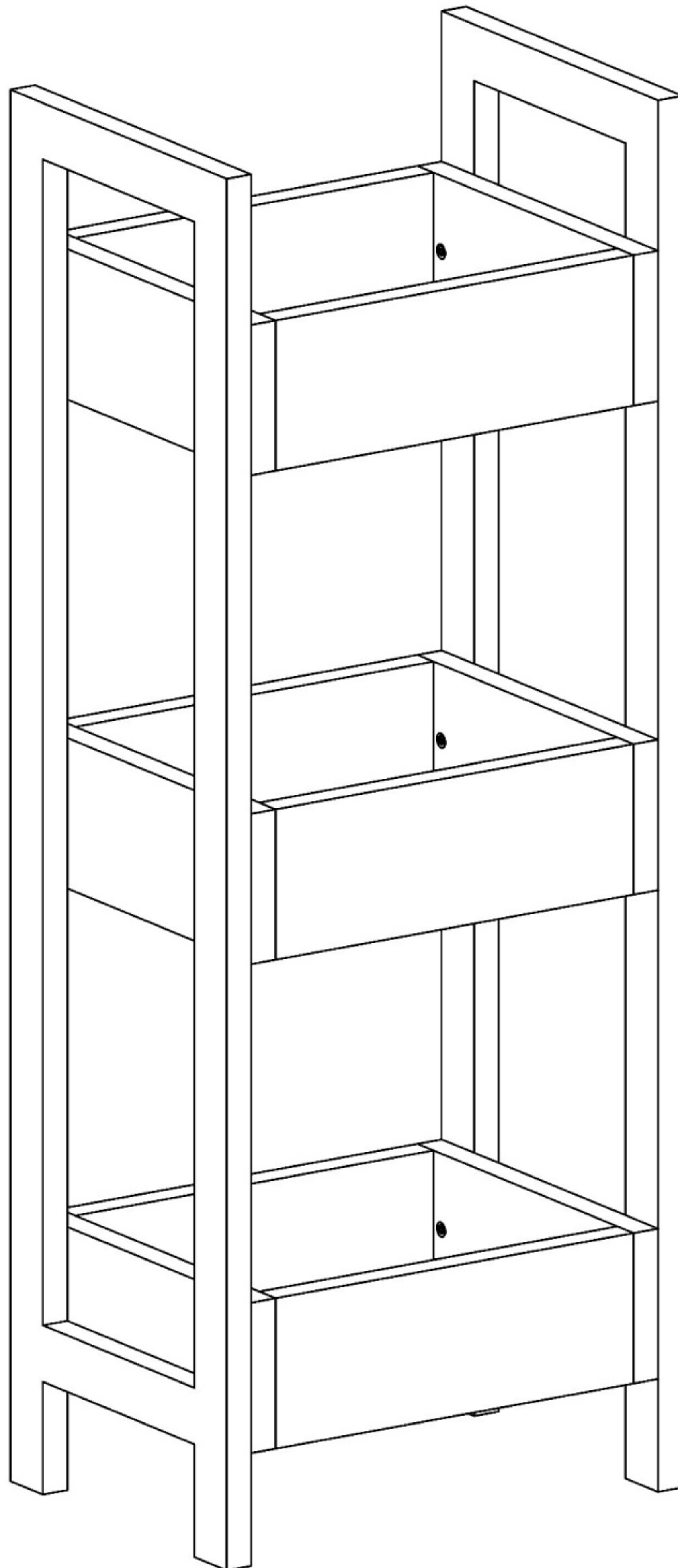


Willow 3 Tier Caddy

Instruction Manual



The photos and illustrations shown in this instruction manual are generic.
The manufacturer reserves the right to change any specification or feature without prior notice.

IMPORTANT: KEEP FOR FUTURE REFERENCE. READ CAREFULLY.

Assembly Instructions

K: 43740499 | T:72653999 WILLOW 3 TIER CADDY

WARNING:

DO NOT STAND, SIT OR LEAN ON THIS UNIT.

DO NOT USE THIS UNIT AS A STEP LADDER OR AS A CHOPPING SURFACE.

KEEP AWAY FROM CHILDREN AND BABIES.

ADULT ASSEMBLY REQUIRED.

USE ONLY ON A FLAT SURFACE.

DO NOT USE THIS UNIT UNLESS ALL BOLTS AND SCREWS ARE FIRMLY SECURED.

CARE INSTRUCTIONS:

TO BE ASSEMBLED ON A CLEAN, DRY AND SMOOTH SURFACE.

WIPE CLEAN WITH A SOFT DAMP CLOTH.

NEVER USE SCOURERS, ABRASIVES OR CHEMICAL SOLVENTS.

CHECK AND TIGHTEN ALL PARTS REGULARLY.

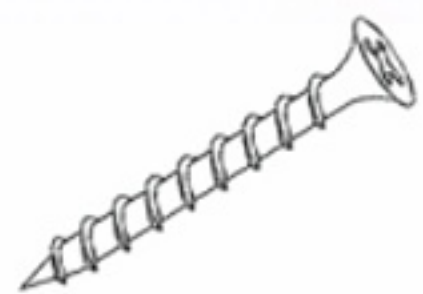
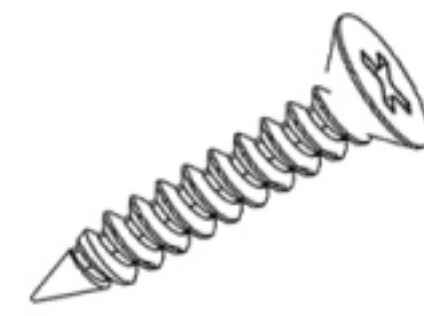


KEEP AWAY FROM MOISTURE AND DIRECT SUNLIGHT.

STORE IN A DRY PLACE.

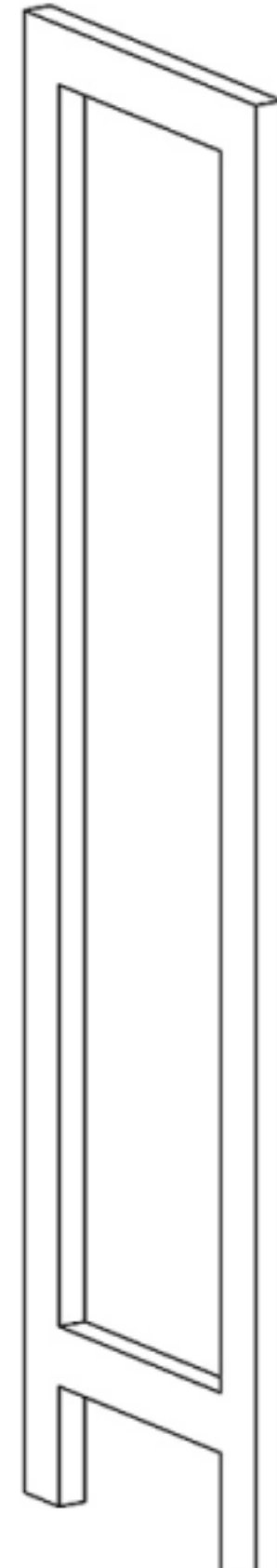



FOR INDOOR AND DOMESTIC USE ONLY.

MAXIMUM SAFE LOAD: 5KG FOR EACH SHELF.

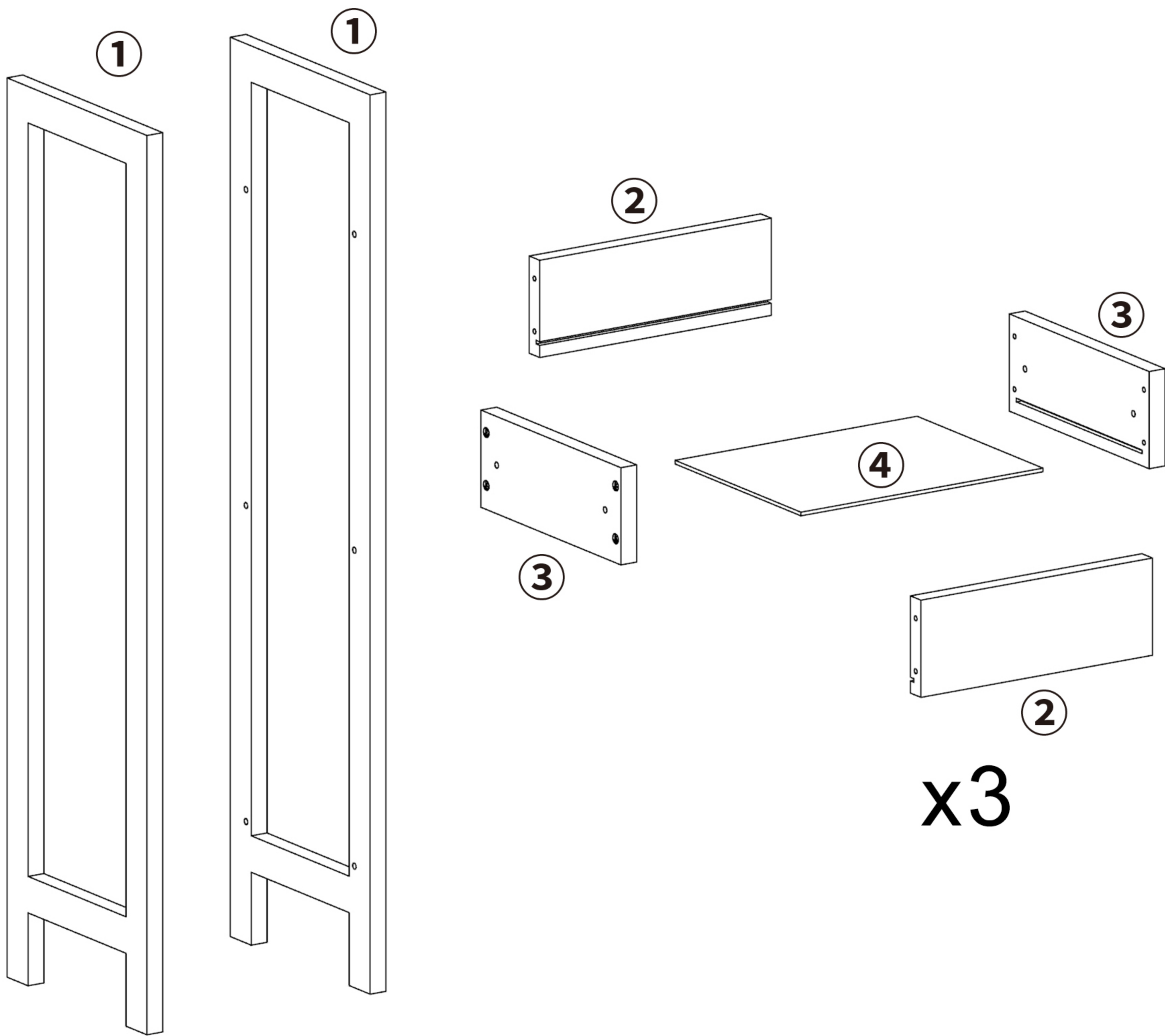
1 Hardware List

A		3x25mm	24PCS	B		4x25mm	12PCS
C			2PCS	D			4PCS

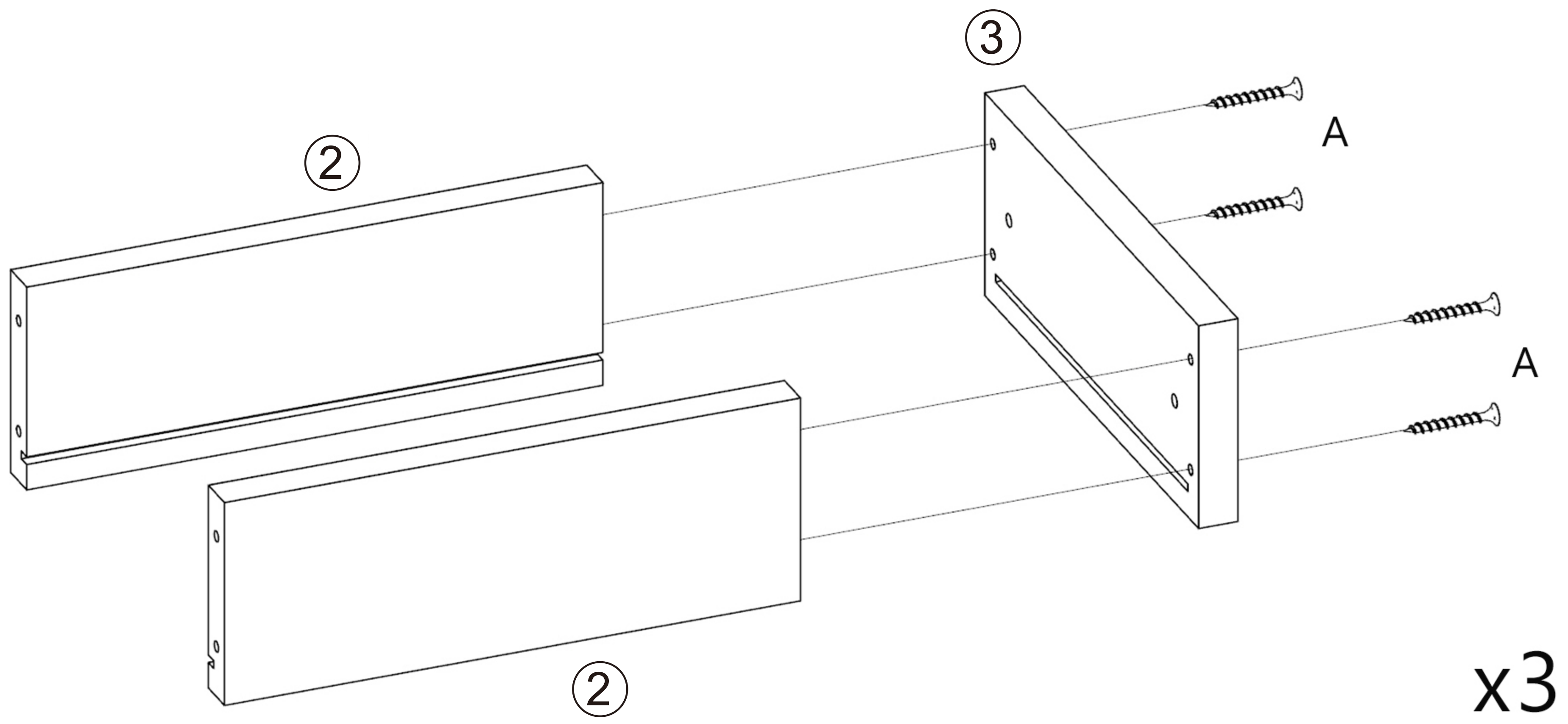
2 Parts List

			
①	2PCS	②	6PCS
			
③	6PCS	④	3PCS


PANEL LAYOUT



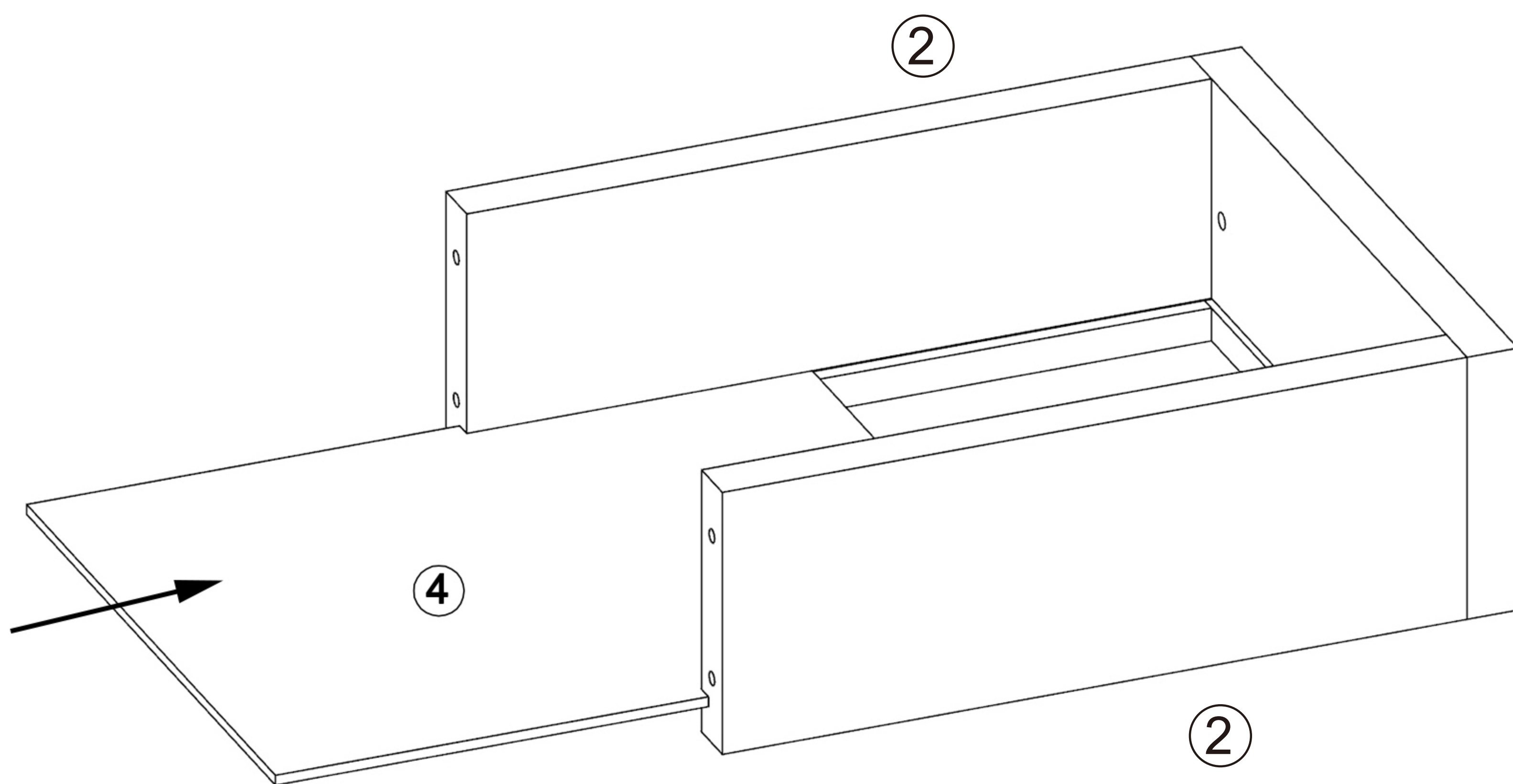
STEP 1



x3

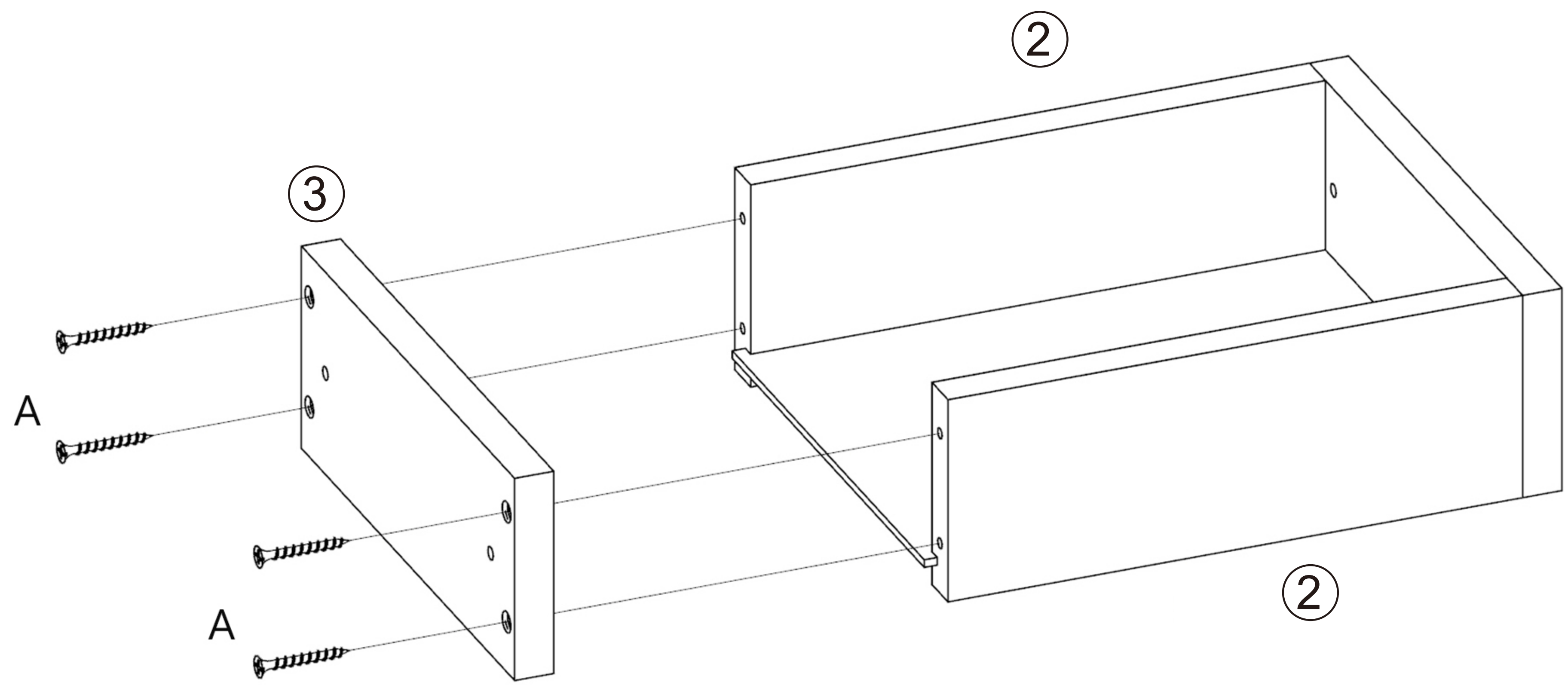
A-  x12

STEP 2




x3

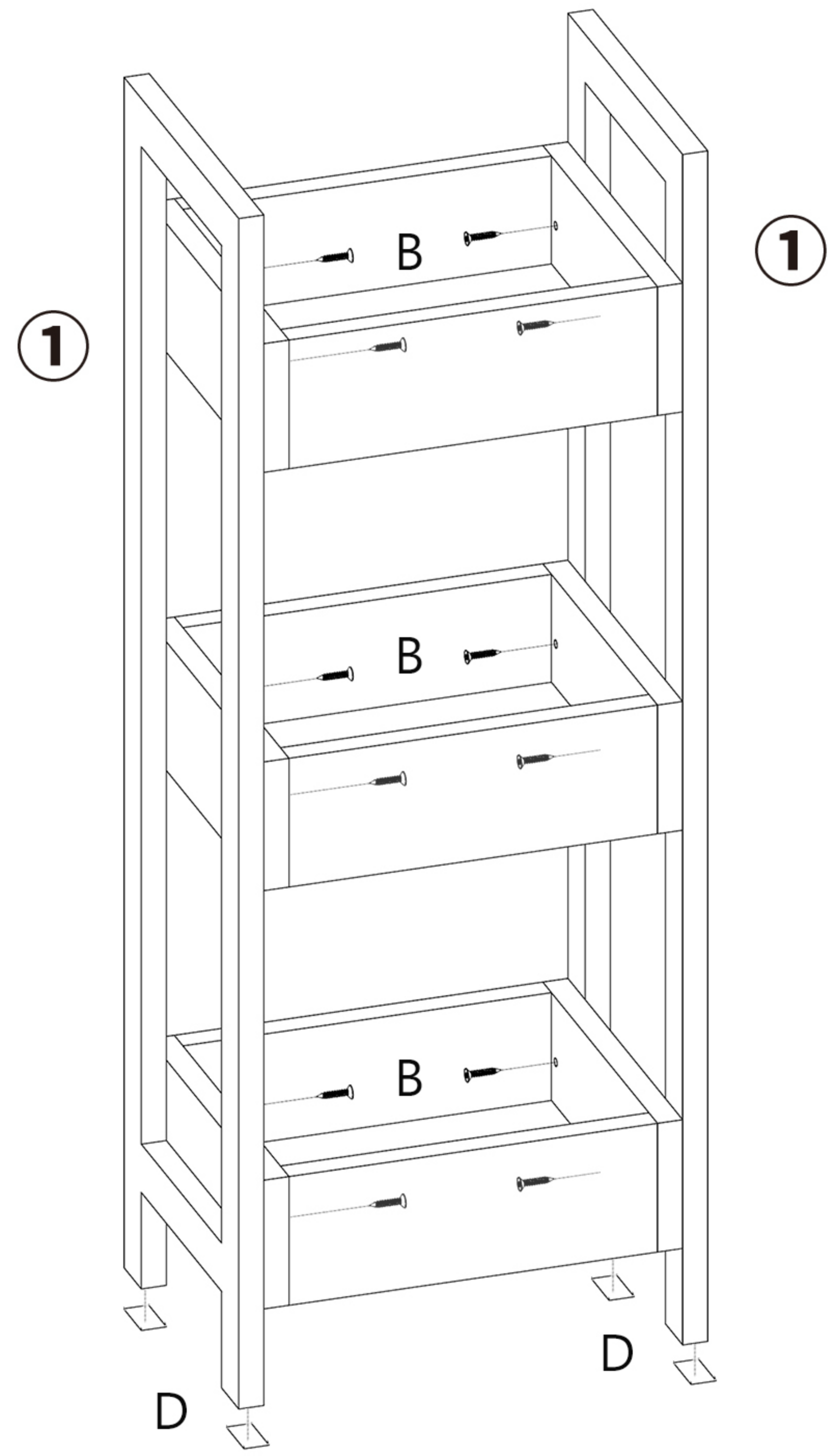
STEP 3





x3

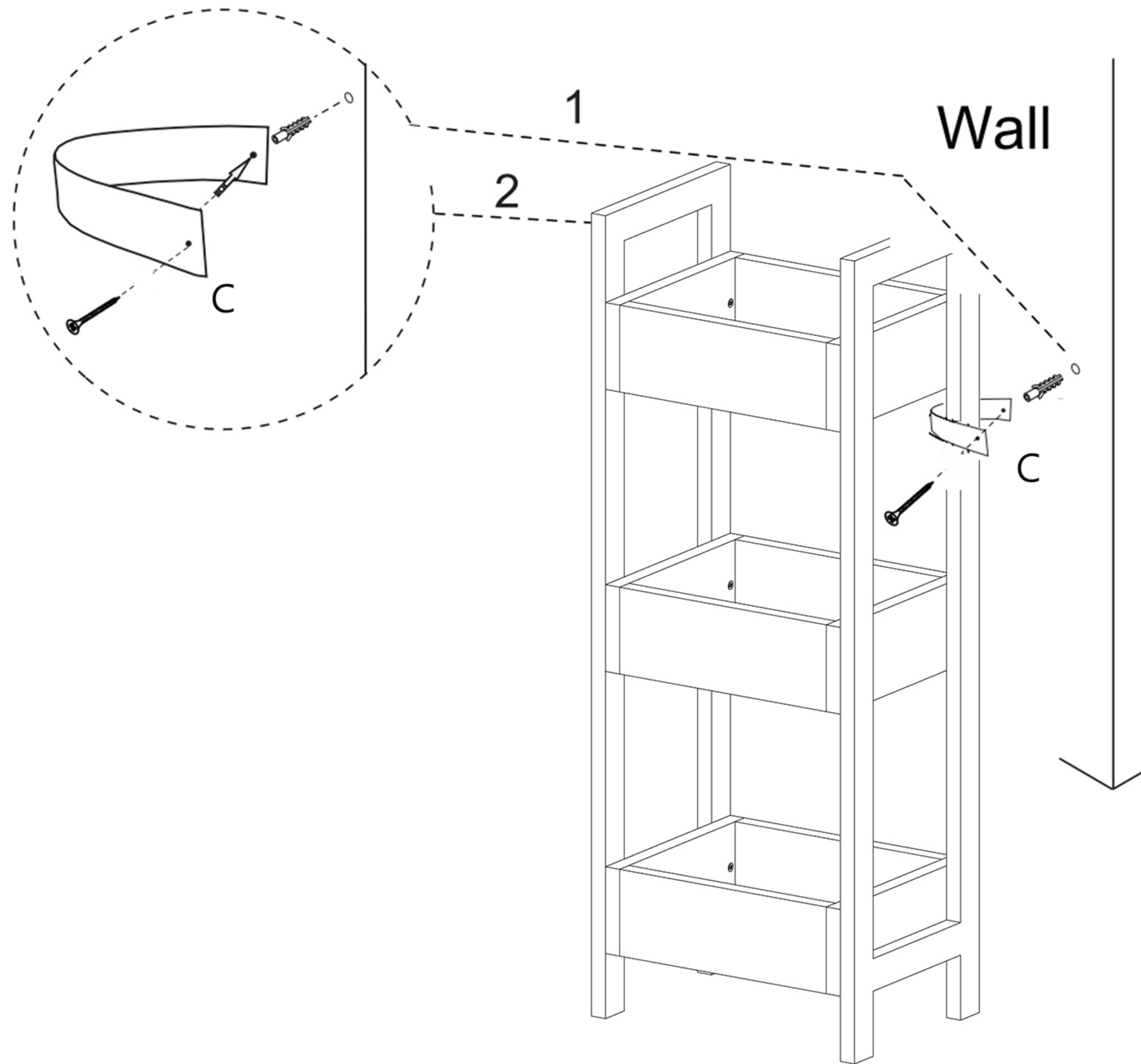
A-  x12

STEP 4



D-  x4
B-  x12

STEP 5



C-  x2

TOPPLING FURNITURE WARNING:

- **ALWAYS secure it with an anchor device.**
- **Please seek professional advice if you are in doubt of what fixing device to use.**
- **Regularly check that anchors are securely maintained.**
- **Use safety drawer locks to prevent children climbing.**
- **Stability of tall items may be affected by thick pile carpet or uneven floors .**
- **Do not place unanchored televisions on furniture .**

CAUTION: for your safety when attaching the anchor fixings, please note the following:

- **Check any electrical wires or plumbing inside the wall before drilling any holes (if you are unsure please seek professional advice from a qualified tradesperson).**

▲ WARNING




Children have died from furniture tipover.

- ALWAYS secure it with an anchor device.
- NEVER allow children to stand, climb or hang on drawers, doors, or shelves.
- NEVER open more than one drawer at a time.
- Place heavy items down low.

NEVER put a TV on this furniture 

This is a permanent label. Do not remove!



WARNING: PLEASE SECURE YOUR FURNITURE WITH THE SUPPLIED WALL FIXING. SCAN THE CODE FOR MORE INFORMATION.

