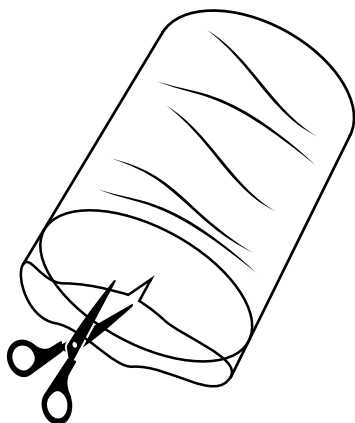


Soft Play Print Cubes 10 Pack Instruction Manual

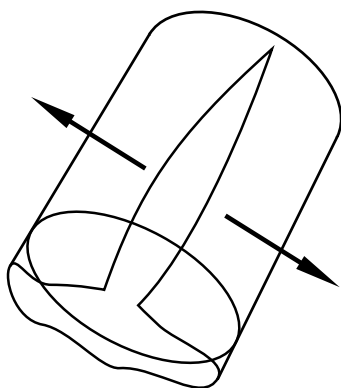
12+
months

How to open the compressed package

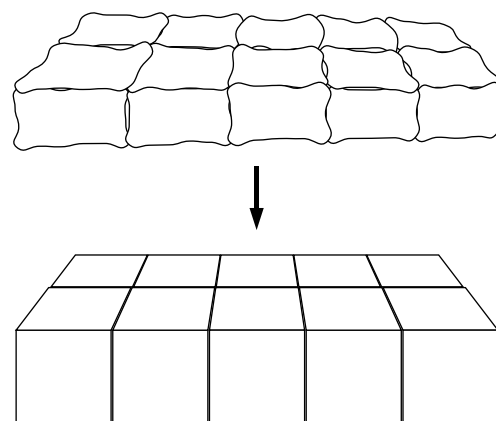
Step 1:
Carefully use scissors to cut open the compressed packaging bag. Just make a small slit, and be sure not to cut the product itself.



Step 2:
Following the slit, continue to tear open the packaging bag by hand until the product pops out completely.

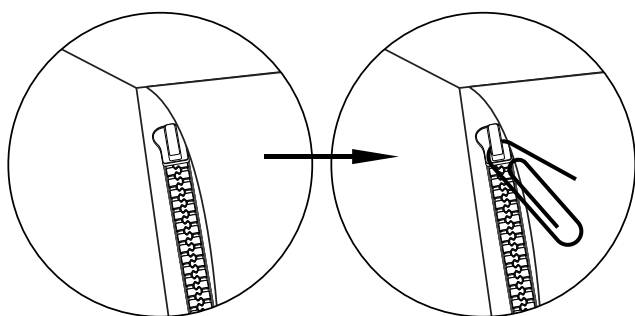


Step 3:
After the product is left undisturbed for about 2 hours, it is expanded to 90% state. It is fully expanded after 12 hours.

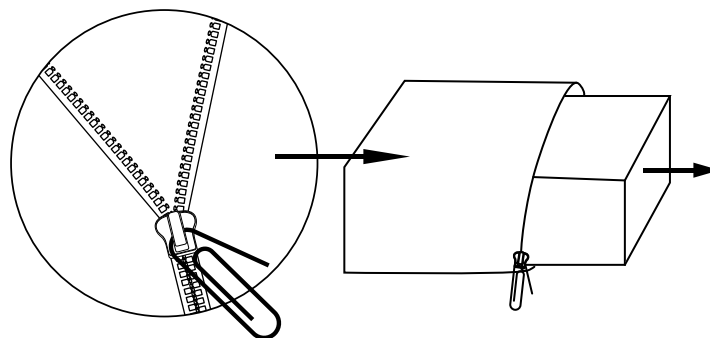


How to open the product

Step 1:
This product has a safety locking zip to prevent access by young children. First, locate the position of the zipper base on the fabric cover. Then, carefully use a paper clip (as illustrated) or a pin to release lock and open zipper slider. Make sure the zipper can be opened and closed properly, while also avoiding puncturing the fabric and sponge with the paper clip or pin.



Step 2:
Slowly separate the two sides of the zipper until a large enough opening is created to remove the sponge. Remove paper clip or pin after closing zipper.



Washing and maintenance

1. WARM DELICATE MACHINE WASH SEPARATELY.
2. DO NOT BLEACH.
3. MAY BE TUMBLE DRIED WARM.
4. DO NOT IRON.
5. DO NOT DRYCLEAN ☒.

WARNINGS

1. Use only under adult supervision.
2. For indoor use only.
3. Do not use on a slippery or smooth surface.
4. This product is intended for use by children aged 12+ months.

KEYCODE: 43-724-901

MADE IN CHINA

CUSTOMER SERVICE:

KMART AU: 1800 124 125
KMART NZ: 0800 945 995
TARGET AU: 1300 753 567