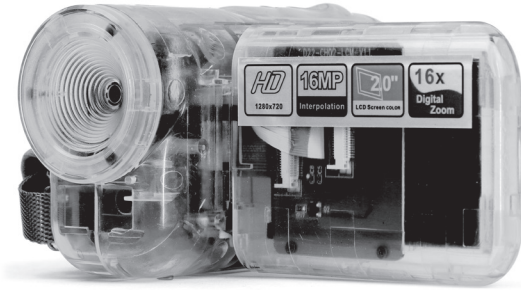


anko

# Digital Video Recorder Operating Instructions

Please read all the information carefully before you use the product and keep the manual for future reference as it contains important information.



K: 43499281 | T: 70363210  
K: 43722622 | T: 72474327  
K: 43722608 | T: 72474334  
Model: JLR-80051

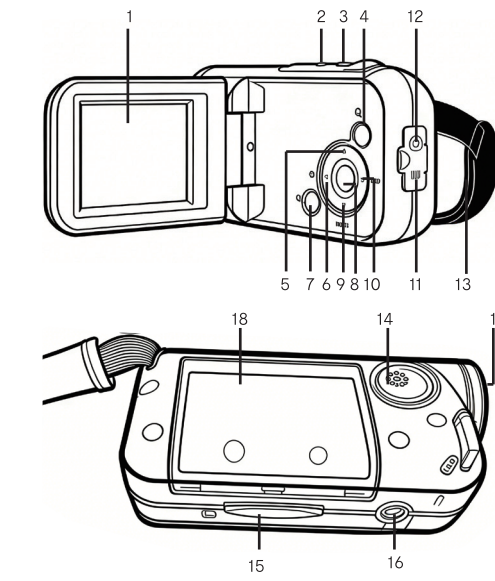
### Packing list:

- 1x Digital Video Recorder
- 1x Instruction manual
- 1x USB-Micro cable
- 1x 4GB TF card+ SD adaptor

### Product Specification

- 2.0" LCD Screen
- Battery: 3 x AAA (not included)
- 4GB TF card+ SD card adaptor included.
- Supports up to 16GB TF card; (not included)
- Photo file format: JPEG
- Video file format: AVI
- Audio file format: WAV
- Audio output: 3.5mm AUX output
- Max interpolation video resolution up to 720P, VGA (640x480)
- "Video" Resolution: 1280 x 720 720P, 640 x 480 VGA,
- Max interpolation photo resolution up to 16MP
- "Still" Image Resolution: 16M (4032\*3024), 12M (2560\*1440), 5M (1920\*1080), 3M (1280\*720, 2M (640\*480), 1M (320\*240)
- Supported Microsoft Windows 7/8/10 or later

### Product diagram



- 2.0" LCD Screen
- Power on/off
- Shutter button
- Zoom in
- Self-timer/up
- Playback
- Zoom out
- OK button
- Setting /Mode
- Menu
- USB port
- Headset jack
- Hand strap
- Speaker
- SD card Slot
- Tripod Socket
- Lens
- Battery Compartment

### Button Description

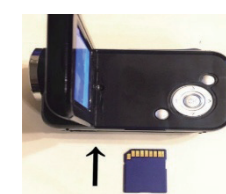
Button	Description	Function
	Power button	Press it 2 to 3 seconds to turn the recorder on /off
	Shutter button	Start recording video or take a picture
	Four Directional Buttons	Enter into Menu and Submenu
	Zoom	Zoom in/ Zoom out

### Before Starting to Use

#### Insert SD memory Card

Please insert SD memory card as below diagram, and make sure that the golden finger is facing downwards (Beware of the orientation of video recorder)

#### Diagram for inserting SD memory card



The SD memory card must be inserted before power on if you want to record or photo taking. Please insert the video recorder with SD card inserted in if device doesn't detect the SD card.

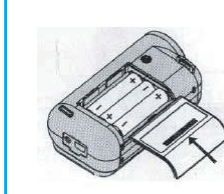
#### Note:

- 1 set 4GB TF card+ SD adaptor included.
- Max support 16GB (need to purchase separately)
- Please use the high-speed SD card (Class 10 and above).
- If cannot read the SD card, please take it out and insert again and check the direction is correct.

#### Battery installation

- Slide down to open and remove the battery cover, and install three AAA alkaline batteries according to the polarity signs on terminals location.
- The close it by sliding the leading end of battery cover into battery latch, press down the cover to latch the battery compartment securely.

#### Diagram for installing AAA batteries



### WARNINGS:

- Reverse installation direction of anode (positive) and cathode (Negative) may lead to damage onto the video recorder or a fire accident.
- Insert batteries with the correct polarity and always follow the manufacturer's instructions.
- Remove batteries if product will be stored for an extended period.
- Dispose of used batteries responsibly
- Note:** This product is not waterproof. Please be careful during use.

### Video Mode

This section is about how to record with this video recorder.

#### Go to video Mode

	Power button: Hold it for 2-3 seconds to turn the recorder on.
	Press to select video mode (Changing mode from camera to video. <b>Default is Camera.</b> )
	Press to start recording video and press again to save video
	Press to find video album and press OK button to play video

### Table of display in Video Mode

Icon	Mode	Function
	Video mode	Video recording (Each video recording time: max 10mins)
	720P: 1280x720 VGA: 640x480	Displays the size of the current video
	SD card	Indicates the SD card has been inserted in this video recorder.
	Battery Conditions (full, half, low, depleted)	Shows current battery power status
	zoom	Zoom in or zoom out

#### Note:

- The duration of recording is subject to video resolution.
- Please press to zoom in and to zoom out before record it necessary.
- Press (turn right) to exit the menu.
- The screen is not rotated.
- If the memory card capacity is low, it can't support to take videos.

### Camera Mode

This section tells you how to take photos.

#### Go to Camera Mode

	Power button: Hold it for 2-3 seconds to turn the recorder on.
	Press to take photo ( <b>The default mode is camera</b> )
	Press to enter photo album

### Table of display in Camera Mode

Icon	Mode	Function
	Camera mode	Take still picture
	Self-timer mode setting (off, 2 sec delay self-timer, 10 sec delay self-timer, burst)	Max setting as 10s delay self-timer Burst: continuously take three photos
	Zoom	Zoom in and zoom out
	Resolution 16M: 4032x3024 12M: 2560x1440 5M: 1920x1080 3M: 1280x720 2M: 640x480 1M: 320x240	Selection for size of the still pictures

80 mm

	Quality (super fine, fine, normal)	Adjust photo quality
	SD card	Indicates the SD card has been inserted in this recorder
	Battery conditions (full, half, low, depleted)	Shows current battery power status
	Quantity of photos can be taken and saved	Number of photos can be taken and saved
EV(Exposure)	-2.0, -1.7, -1.3, -1.0, -0.7, -0.3, +0.0, +0.3, +0.7, +1.0, +1.3, +1.7, +2.0	Adjust brightness
Date Stamp	Disable or enable the function of printing date/time on files (off, date & time)	The date or date & time can be showed on the photos.

#### Note:

- The quality of the picture to be saved is subject to the resolution and quality of still pictures.
- Press button to zoom in and press button for zoom out.
- Press to exit menu.
- The screen is not rotated.

### Audio Mode

This section tells you how to take and play audio.

#### Go to Audio Mode

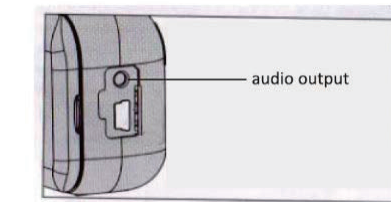
	Power button: Hold it for 2-3 seconds to turn the recorder on.
	Press to select audio mode (Changing mode from camera to audio. <b>Default mode is Camera.</b> )
	Press to take audio and press again to save
	Press to find audio album and press OK button to play audio

Below is the audio screen and it shows the audio name & format as well as the audio time.



### Audio output

Plug 3.5mm headphone into the audio output port and you can listen the audio or video.



### Playback Mode

This section tells you how to use playback function

#### Go to playback mode:

- Open display screen, press for 2-3 seconds to turn it on.
- Press to enter into or exit playback mode
- Press OK to play or stop video or audio
- Press to enter into playback menu to lock/ unlock/ delete the file as below sheet.

Icon	Sub Menu	function
	Lock/ Unlock one Unlock all	Lock is preventing important file from being deleted
	One/all	To delete one or all files

### Menu setting

#### How to set up menu and submenu

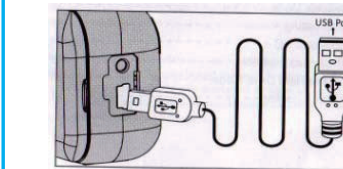
- Open display screen, press for 2-3 seconds to turn it on
- Press to enter setting menu, then press to set up menu.

#### Table of Submenu Setting

Icon	Sub Menu	Function
Date & time	YYYY/MM/DD DD/MM/YYYY MM/DD/YYYY	Set up date and time
Auto Power Off	Off, 1 mins/3 mins/5 mins	After selected and product will be not be off or be off within one/ three/ five minutes.
Screen savers	Off, 1 mins/3 mins/5 mins	After selected and screen will not be off or be off within one/ three/ five minutes.
Sounds	Shutter: On/off Start-up: 0 to 3 Beep: on/off Sounds: 0 to 3	Turn on/off sound and set it up
Languages	Select the language you need within 17 choices	Can set up desired language for menu
Frequency	50HZ, 60HZ	Can set up the frequency
Format	Yes/NO	Format SD memory card Caution: Be attention!!! All data will be deleted after press ok to format.
Default setting	OK/CANCEL	default to factory setting
Version	Software version	

### Connect to PC

Please connect the video recorder to PC with the included USB cable as below diagram, then you can find your photos and videos.



### Safety Instructions:

- Please read the instruction manual before using this device and follow all the safety instruction to avoid damage caused by improper use.
- Keep the instruction manual for future reference. Should this device be given to a third party, then this instruction manual must also be handed over.
- Use this device solely for its intended purpose.
- Keep the appliance away from all hot surfaces and naked flames.
- Always put the appliance on a level, stable, clean, dry surface. Protect the appliance from extreme heat and cold, dust, direct sunlight, humidity and drops or jets of water.
- Do not immerse the appliance in water or in other liquids.
- Do not open the housing under any circumstances.
- Do not introduce any objects into the interior of the housing.

- Should the device malfunction due to electrostatic discharge or a short power surge, disconnect it from your computer and then reconnect it again.

### 12 Month Warranty

Thank you for your purchase.

Your new product is warrantied to be free from defects in materials and workmanship for the period stated above, from the date of purchase, provided that the product is used in accordance with accompanying recommendations or instructions where provided. This warranty is in addition to your rights under the Australian Consumer Law.

For New Zealand customers, this warranty is in addition to statutory rights observed under New Zealand legislation.

We will provide you with your choice of a refund, repair (where possible) or exchange (availability dependent) for this product if it becomes defective within the warranty period. The business will bear the reasonable expense of claiming the warranty.

This warranty will no longer apply where the defect is a result of alteration, accident, misuse, abuse or neglect.

Please retain your receipt as proof of purchase and contact our Customer Service Centre as listed below, for the entity you purchased this product from, for any difficulties with your product. Warranty claims and claims for expense incurred in returning this product can be addressed to the respective Customer Service Centre.

Our goods come with guarantees that cannot be excluded under the Australian Consumer Law. You are entitled to a replacement or refund for a major failure and compensation for any other reasonably foreseeable loss or damage.

You are also entitled to have the goods repaired or replaced if the goods fail to be of acceptable quality and the failure does not amount to a major failure.



**MADE IN CHINA**  
**CUSTOMER SERVICE:**  
KMART AU: 1800 124 125  
KMART NZ: 0800 945 995  
TARGET AU: 1300 753 567