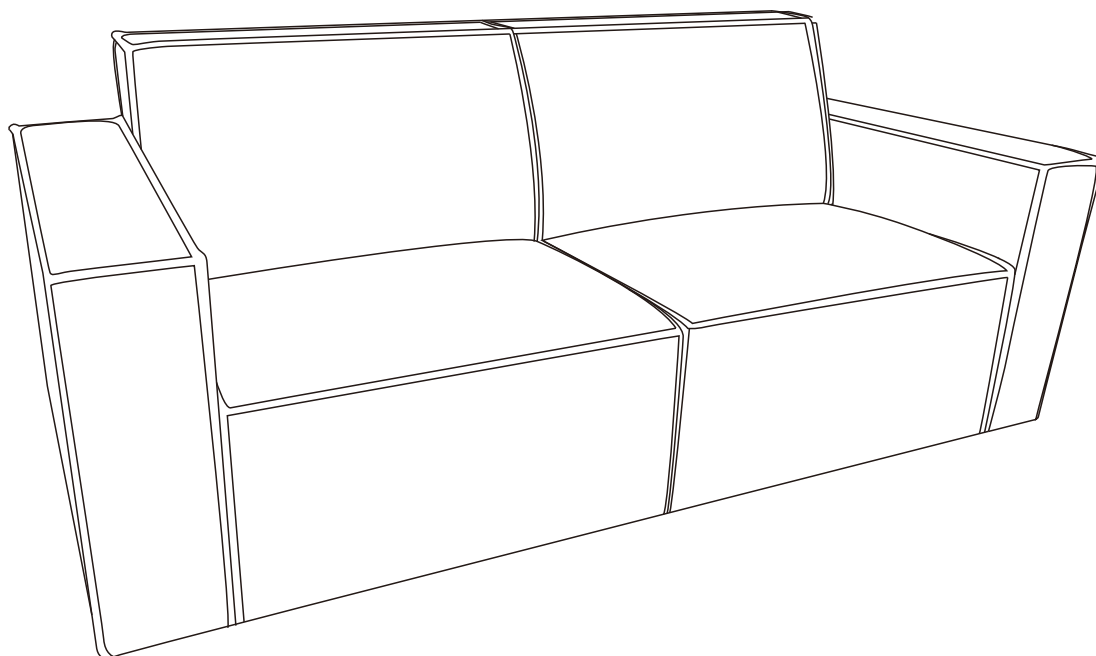


Jax 2.5 Seat Modular Sofa

Instruction Manual



The photos and illustrations shown in this instruction manual are generic.
The manufacturer reserves the right to change any specification or feature without prior notice.

IMPORTANT: KEEP FOR FUTURE REFERENCE. READ CAREFULLY.

Assembly Instructions

43712168/43712175 Jax 2.5 Seat Modular Sofa

CARE INSTRUCTIONS:

WIPE CLEAN WITH A SOFT DAMP CLOTH.

DO NOT USE ABRASIVE MATERIAL AND SOLVENTS.

SPOT CLEAN IF NEEDED.

KEEP AWAY FROM WATER AND DIRECT SUNLIGHT.

STORE IN A DRY PLACE.

WARNING:

DO NOT STAND ON THIS CHAIR.

DO NOT USE THIS CHAIR AS A STEP LADDER.

USE THIS PRODUCT FOR SEATING TWO PERSON AT A TIME.

DO NOT USE THIS CHAIR UNLESS ALL BOLTS, SCREWS AND KNOBS ARE FIRMLY SECURED.

DO NOT TIGHTEN THE SCREWS FULLY DURING ASSEMBLY, FULLY TIGHTEN SCREWS AFTER THE FINAL ASSEMBLY STEPS.


FOR INDOOR AND DOMESTIC USE ONLY.

FAILURE TO FOLLOW THESE WARNINGS COULD RESULT IN SERIOUS INJURY.

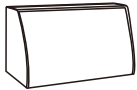



MAXIMUM SAFE LOAD: 200KG



1 Hardware List

a		M6	1pc	b		M8x50MM	16pcs	c		M6x25MM	4pcs
---	---	----	-----	---	---	---------	-------	---	---	---------	------

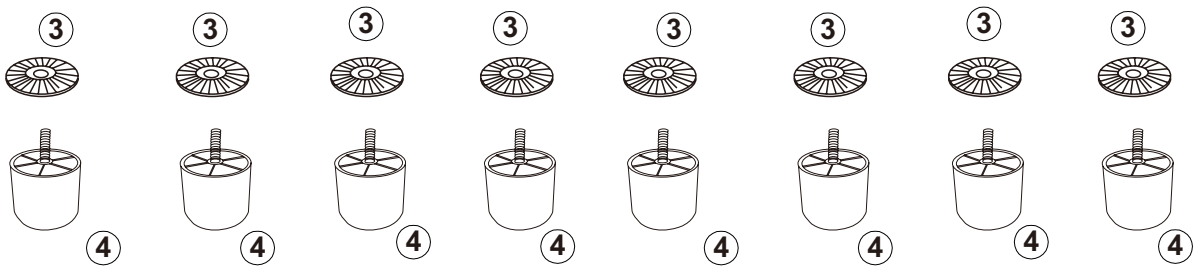
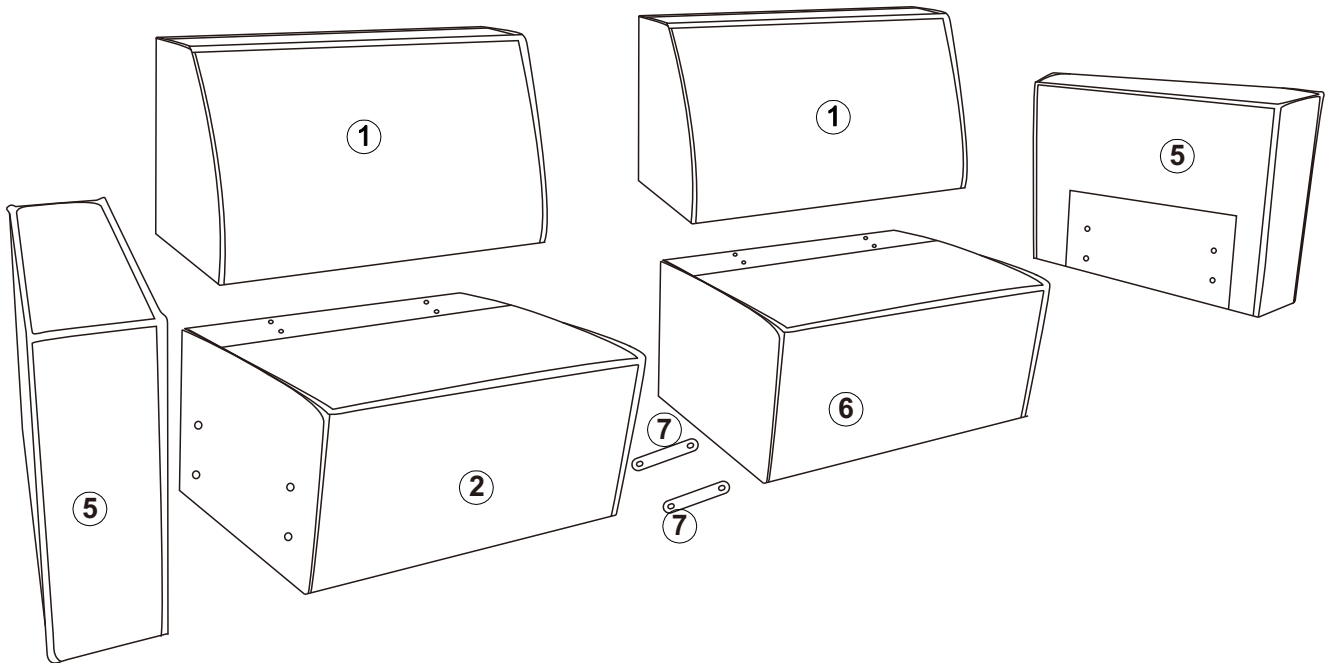
⑦		2pcs
---	---	------

2 Parts List

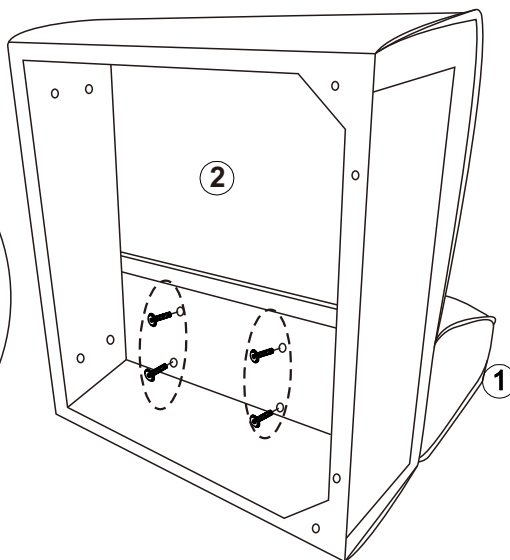
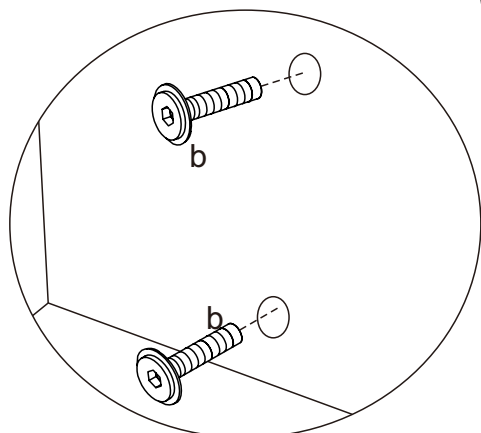
							
①	2PCS	②	1PC	③	8PCS	④	8PCS


			
⑤	2PCS	⑥	1PC

PANEL LAYOUT

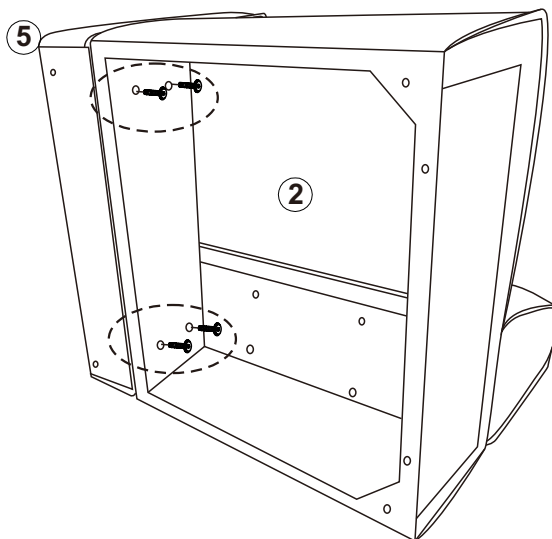
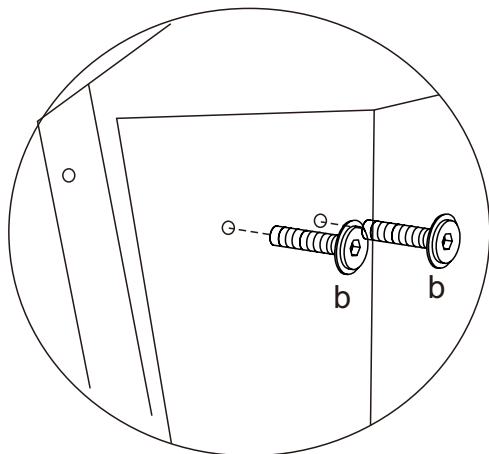


STEP 1



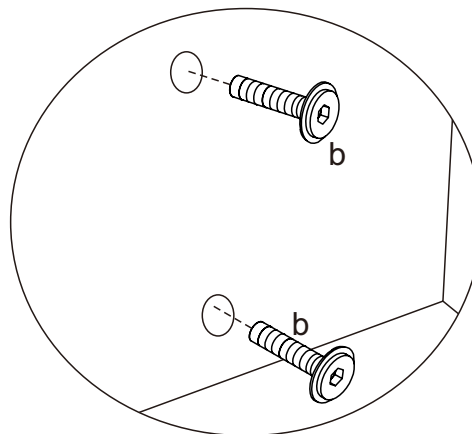
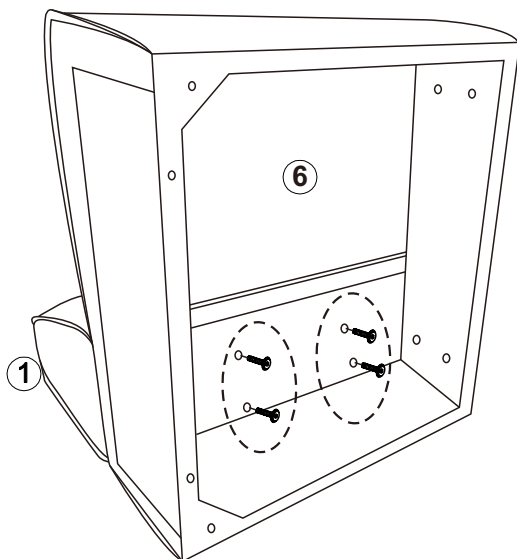
b-  x4


STEP 2



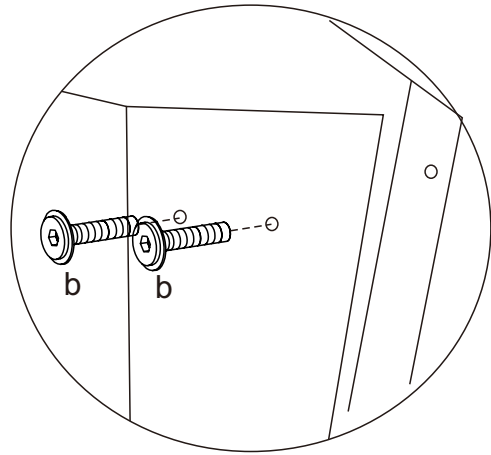
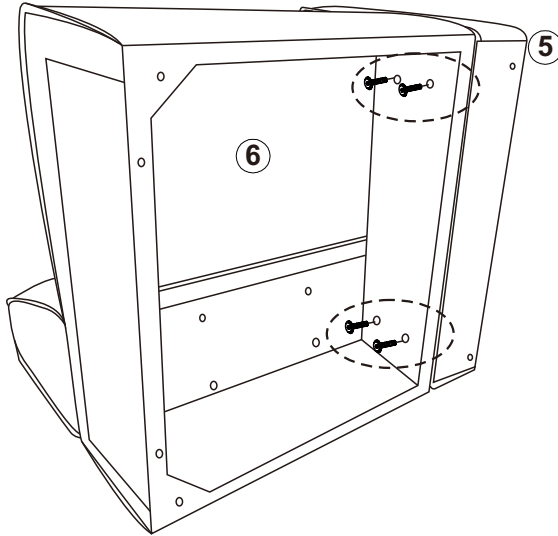
b-  x4

STEP 3



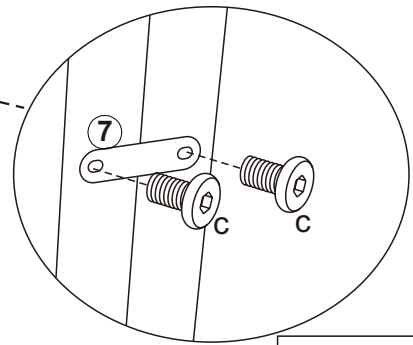
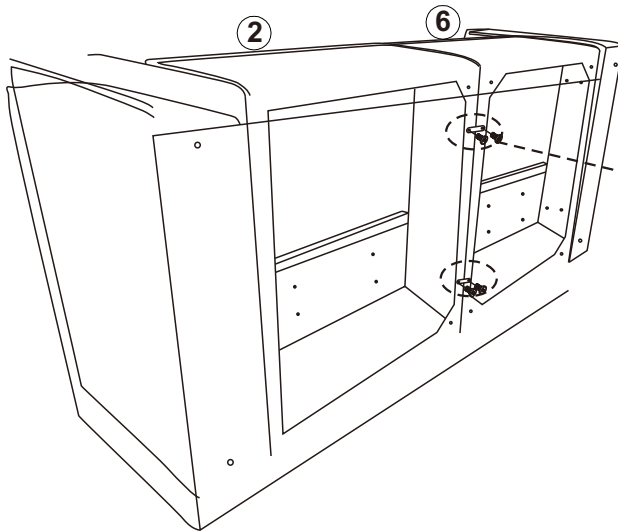
b-  x4


STEP 4



b-  x4

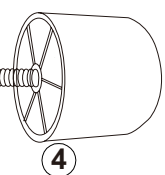
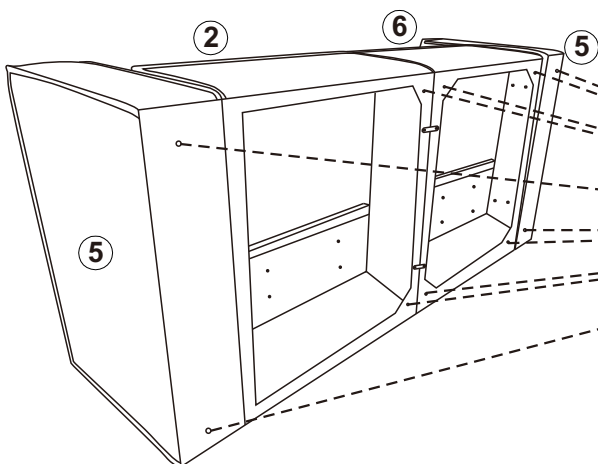
STEP 5



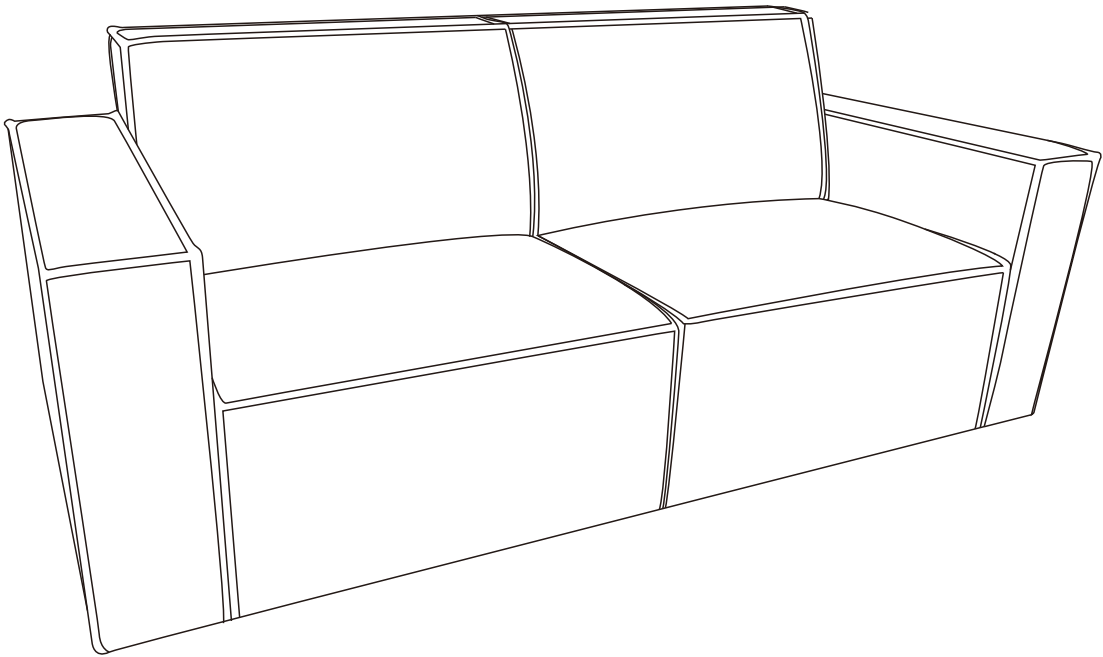
7-  x2

c-  x4

STEP 6

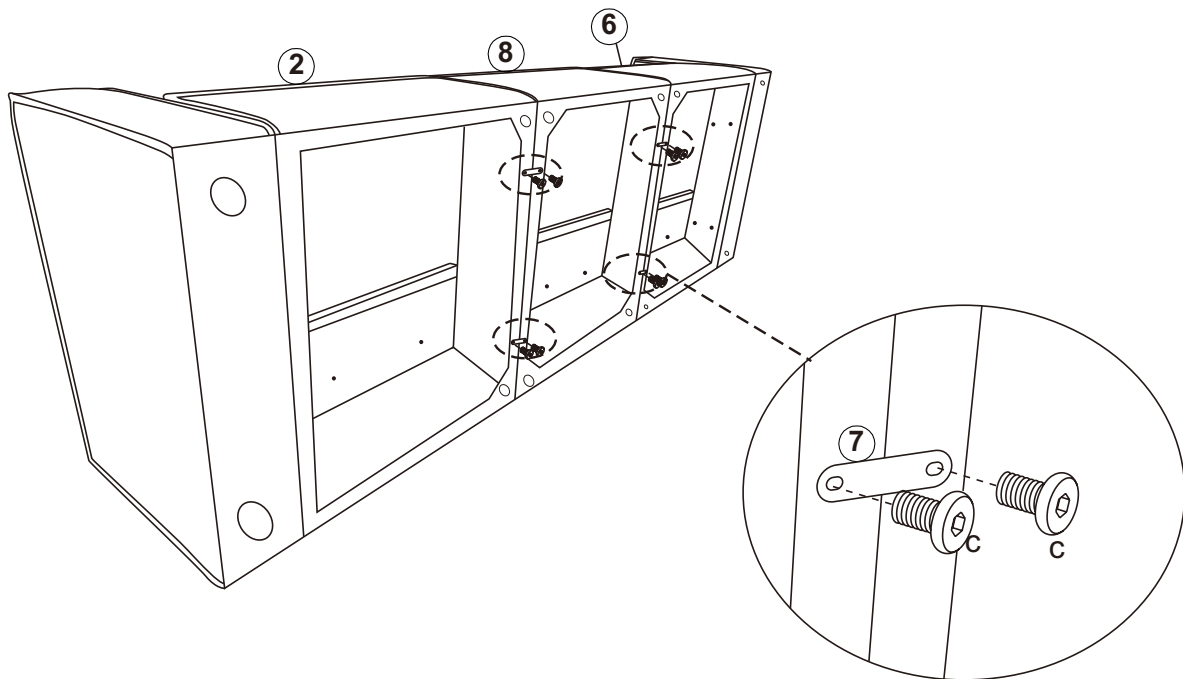




STEP 7



You can purchase the Jax Block Lounge Chair (KC: 43709601)/ Jax Block Lounge Chair (KC: 43709625) to form a larger sofa, creating a harmonious and spacious seating arrangement. This gives the flexibility of multiple sofa figurations suitable for your space.

STEP 1



7	-		x4
C	-		x8

STEP 2

