

Assembly Instruction

43711222 NATE COFFEE TABLE OAK

CARE INSTRUCTIONS:

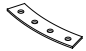





WIPE CLEAN WITH A SOFT DAMP CLOTH. DO NOT USE ABRASIVE MATERIALS AND SOLVENTS. CHECK AND TIGHTEN ALL PARTS REGULARLY. DO NOT PLACE HOT ITEMS SUCH AS COFFEE CUPS DIRECTLY ON THE SURFACE. KEEP AWAY FROM WATER AND DIRECT SUNLIGHT. STORE IN A DRY PLACE. FOR DOMESTIC USE ONLY. FOR INDOOR USE ONLY. A MILD ODOUR MAY BE PRESENT WHEN FIRST OPENING THIS CARTON. SIMPLY ALLOW TO AIR OUTSIDE AND THIS WILL FADE.

WARNING:

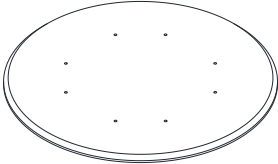
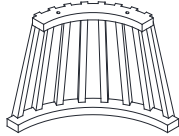
DO NOT STAND OR SIT ON THIS UNIT. DO NOT USE THIS UNIT UNLESS ALL BOLTS AND SCREWS ARE FIRMLY SECURED. DO NOT KNOCK OR DRAG THIS UNIT. USE ONLY ON A FLAT SURFACE. LOAD TOP EVENLY TO PREVENT FROM TIPPING OVER. THIS PACKAGE CONTAINS SMALL PARTS AND SHARP POINTS. KEEP AWAY FROM CHILDREN AND BABIES. ADULT ASSEMBLY REQUIRED. FAILURE TO FOLLOW THESE WARNINGS COULD RESULT IN SERIOUS INJURY.

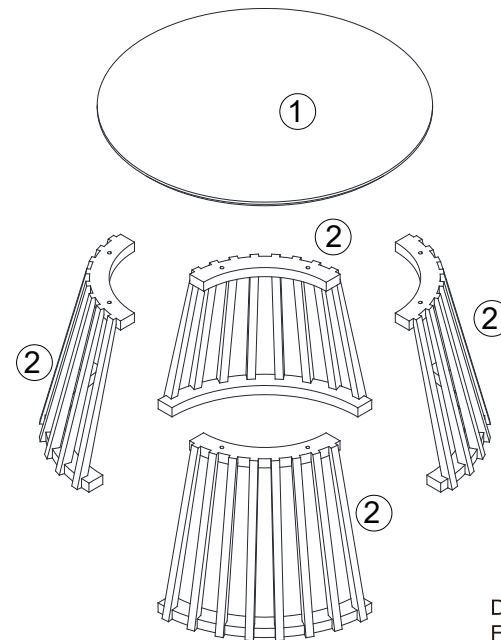
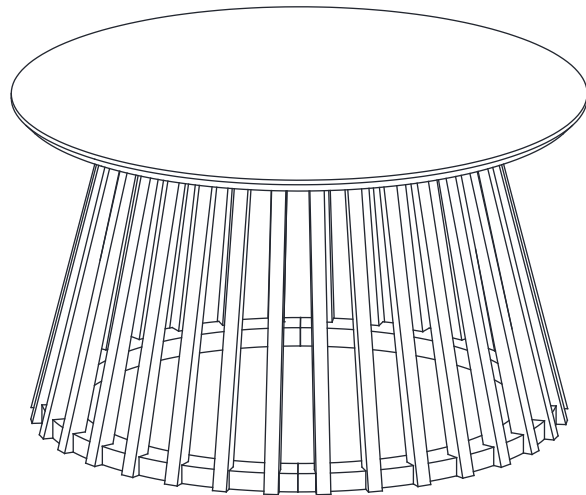
MAXIMUM SAFE LOAD: 10KGS FOR TABLE TOP.

Hardware List

	A		4pcs
	B	ø4x14mm	16pcs
	C	ø6x25mm	8pcs
	D	EVA	4pcs
	E	ø4mm	1pc
	F	ø15.9mm	8pcs

Part List

	
①	②
1 PC	4 PCS



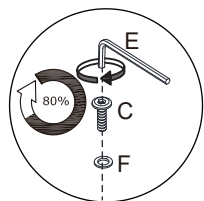
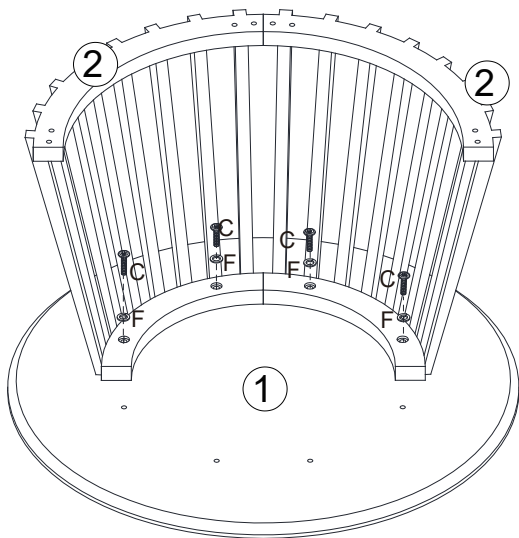
Tool Required(Not Provided)



Do not tighten the screws fully during assembly.
Fully tighten screws after the final assembly steps.

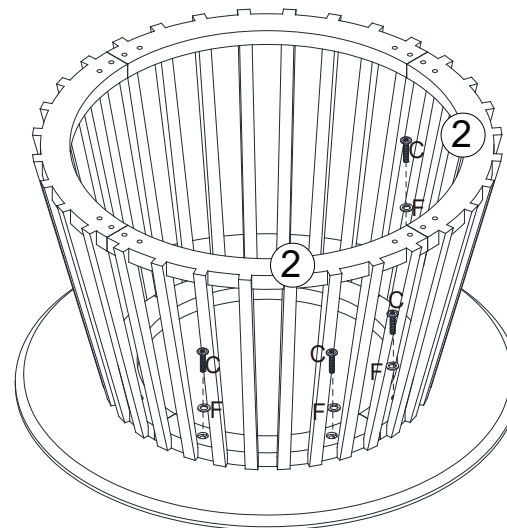
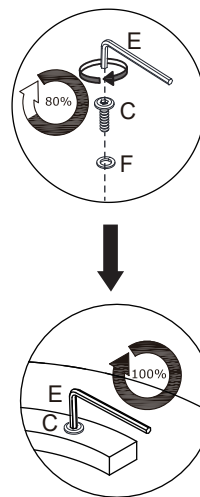
Step 1:

Cx4 Ex1 Fx4



Step 2:

Cx4 Ex1 Fx4



Step 3:

Ax4 Bx16 Dx4

