

Assembly Instructions

K: 43710676 | T: 72434284 CLEAR UNDERSINK 2 TIER DRAWER

CARE INSTRUCTION:

WIPE CLEAN WITH A SOFT DRY OR DAMP CLOTH.





FOR INDOOR USE ONLY.

WARNING:

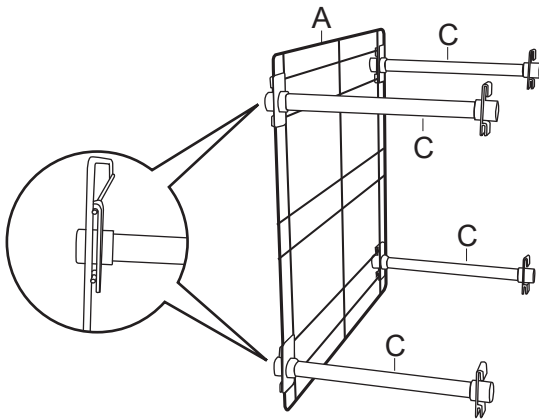
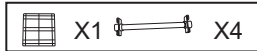
THIS PACKAGE CONTAINS SMALL PARTS, KEEP UNASSEMBLED PARTS AWAY FROM CHILDREN AND BABIES.

MAXIMUM SAFE LOAD: 3KG PER DRAWER

Hardware List

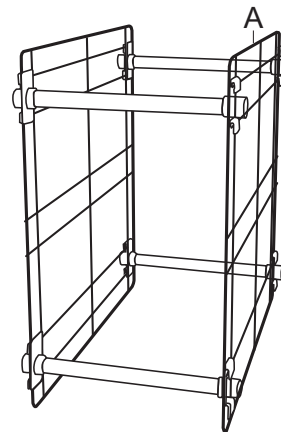
| | | | | | |
|---|---|------|--|---|------|
|  | A | 2PCS |  | C | 4PCS |
|  | B | 2PCS |  | D | 4PCS |

STEP 1

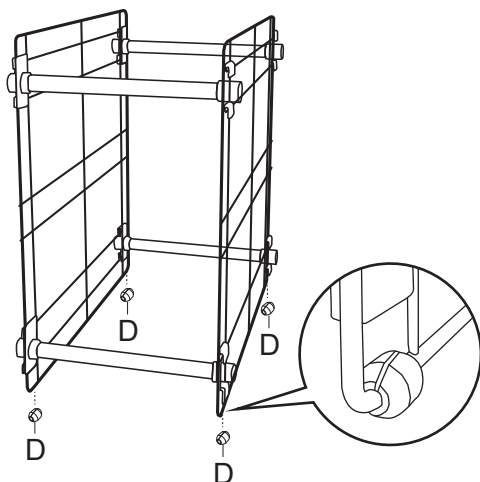
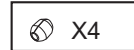


Please press the tube shrouds down till the rack is installed in place.

STEP 2



STEP 3



STEP 4

