

Assembly Instructions

K: 43710669 | T: 72434277 CLEAR UNDERSINK EXTENDABLE SHELVES

CARE INSTRUCTION:

WIPE CLEAN WITH A SOFT DRY OR DAMP CLOTH.



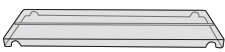

FOR INDOOR USE ONLY.

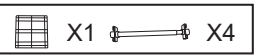
WARNING:

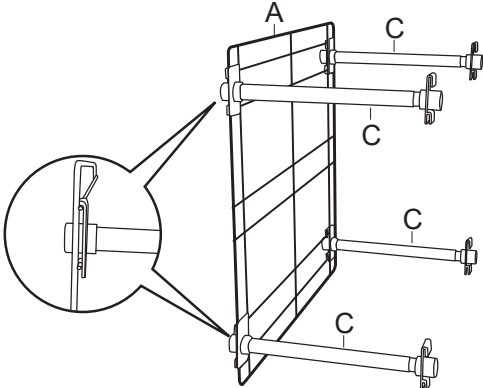
THIS PACKAGE CONTAINS SMALL PARTS, KEEP UNASSEMBLED PARTS AWAY FROM CHILDREN AND BABIES.

MAXIMUM SAFE LOAD: 5KG PER TIER


Hardware List

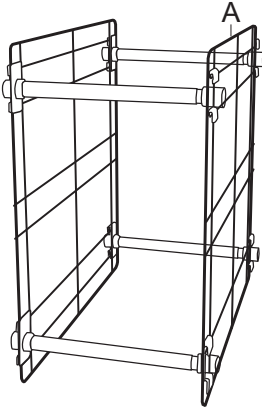
	A	2PCS		C	4PCS
	B	8PCS		D	4PCS


STEP 1 

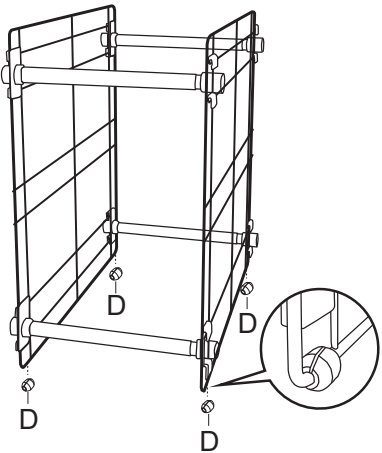


Please press the tube shrouds down till the rack is installed in place.

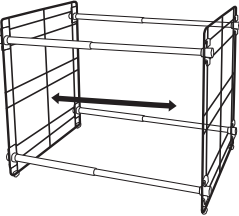
STEP 2 



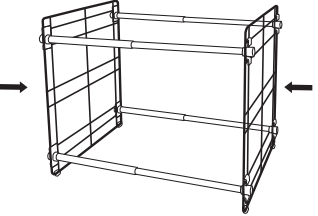
STEP 3 




STEP 4

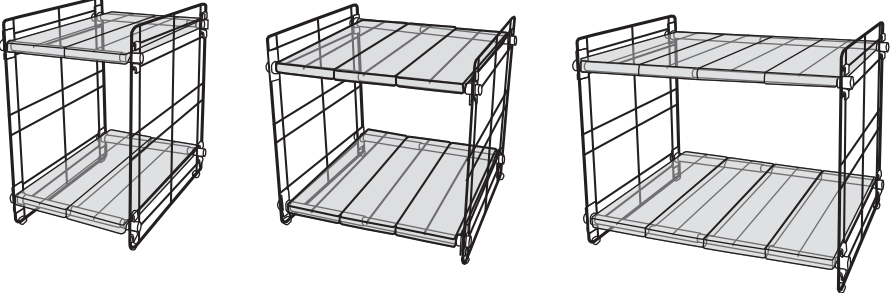


Retraction tips:



Please slowly and evenly push both sides of the frame.

STEP 5 



Optional Shelves