

Assembly Instructions


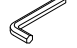
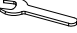
K:43710317 | T:72433027 SLIM LINE METAL TROLLEY

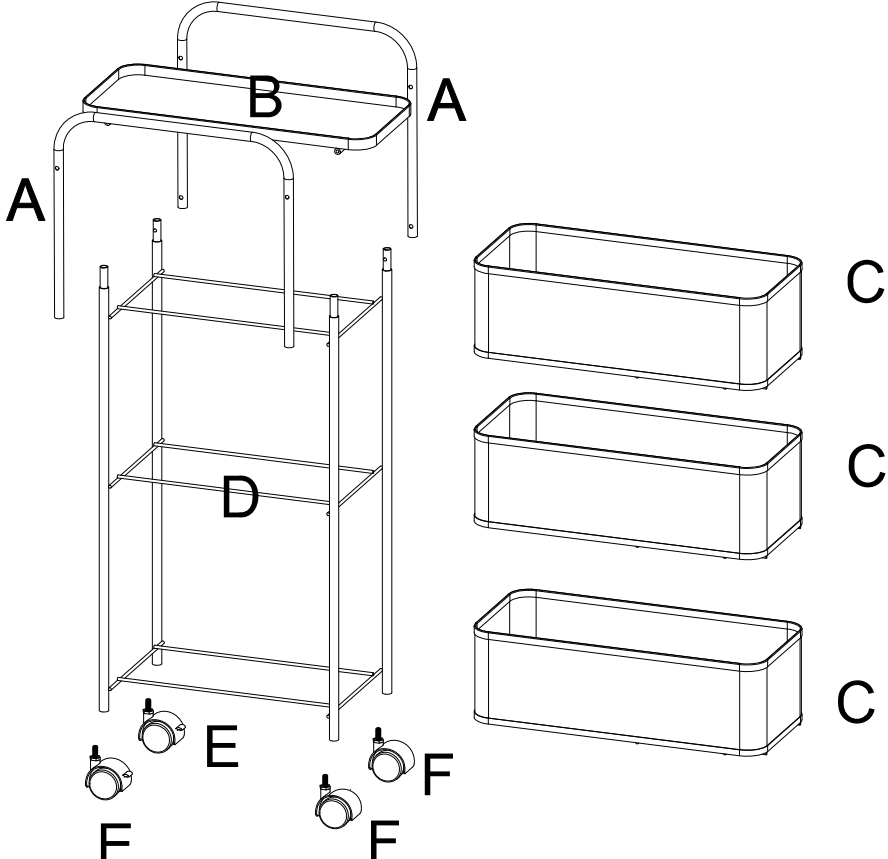
CARE INSTRUCTION:Wipe clean with a damp cloth. Keep away from water and direct sunlight. For indoor, domestic use only.Check and tighten all parts regularly.

WARNINGS:Do not stand, sit or lean on the product. Do not drag the product. Use only on a flat, stable surface.Do not use the product until all screws, bolts, and knobs are securely tightened.This product contains small parts and sharp points—keep out of reach of children and babies.Adult assembly is required.Failure to follow these warnings may result in serious injury.

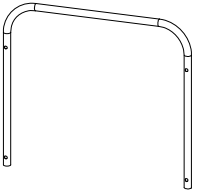


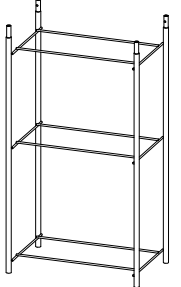
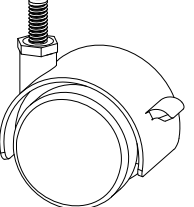
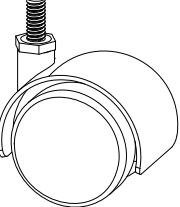
MAXIMUM SAFE LOAD: 3KG FOR EACH SHELF.

1 Hardware List

	a	M4x20mm	4PCS		b		1PC
					c		1PC

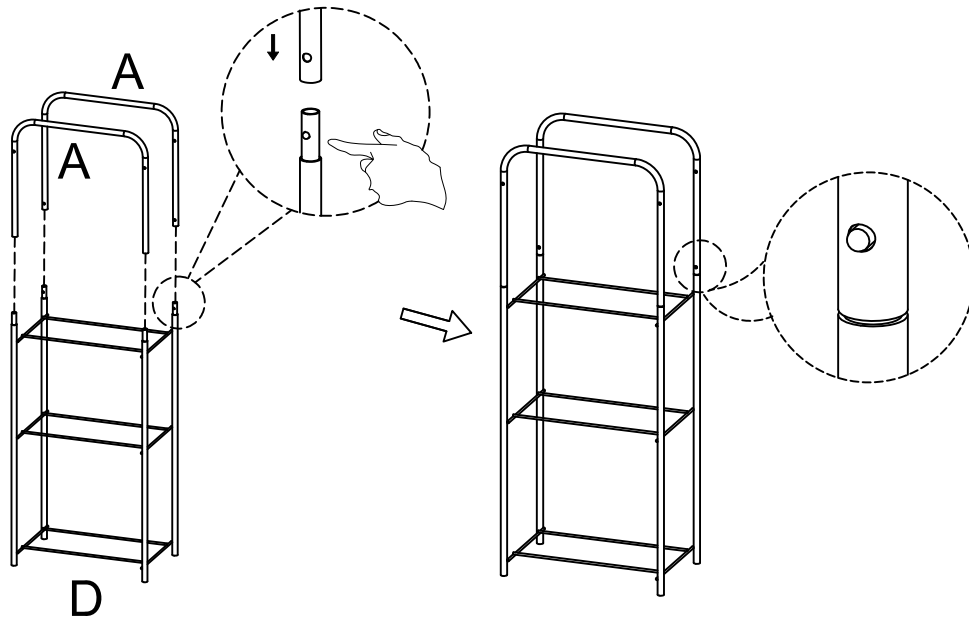


2



		
A	B	C
x2	x1	x3
		
D	E	F
x1	x2	x2

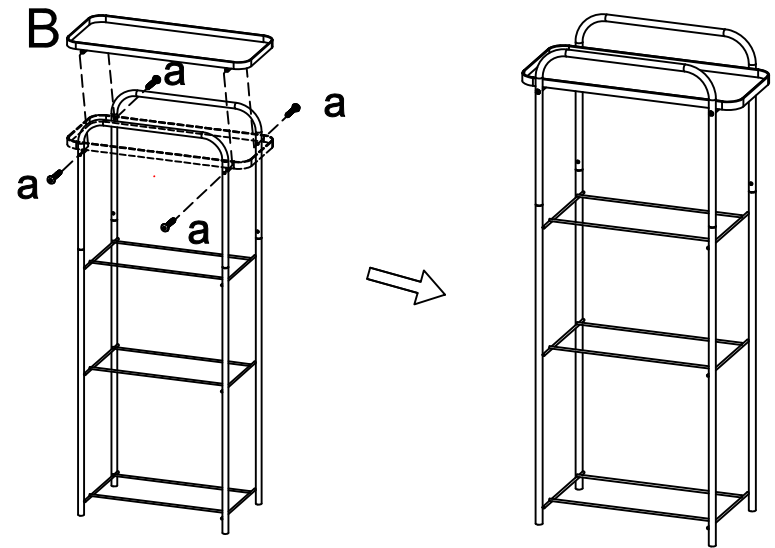
Do not tighten the screws fully during assembly.
Fully tighten screws after the final assembly steps

STEP 1

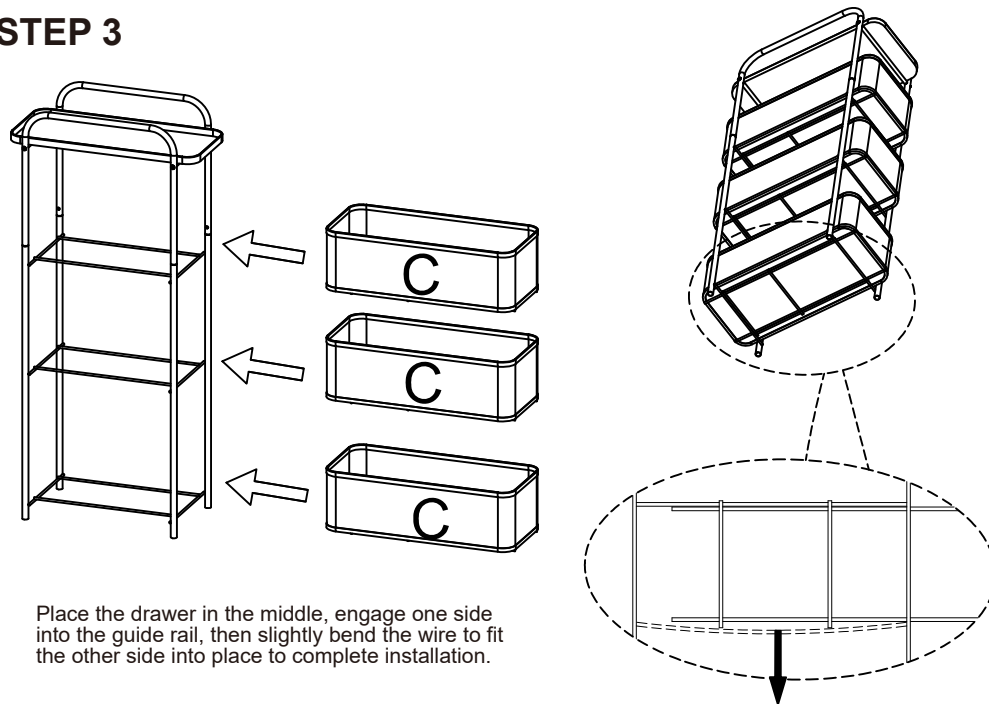


STEP 2

 a x 4PCS  b x 1PC




STEP 3



Place the drawer in the middle, engage one side into the guide rail, then slightly bend the wire to fit the other side into place to complete installation.

STEP 4

 a x 1PC

