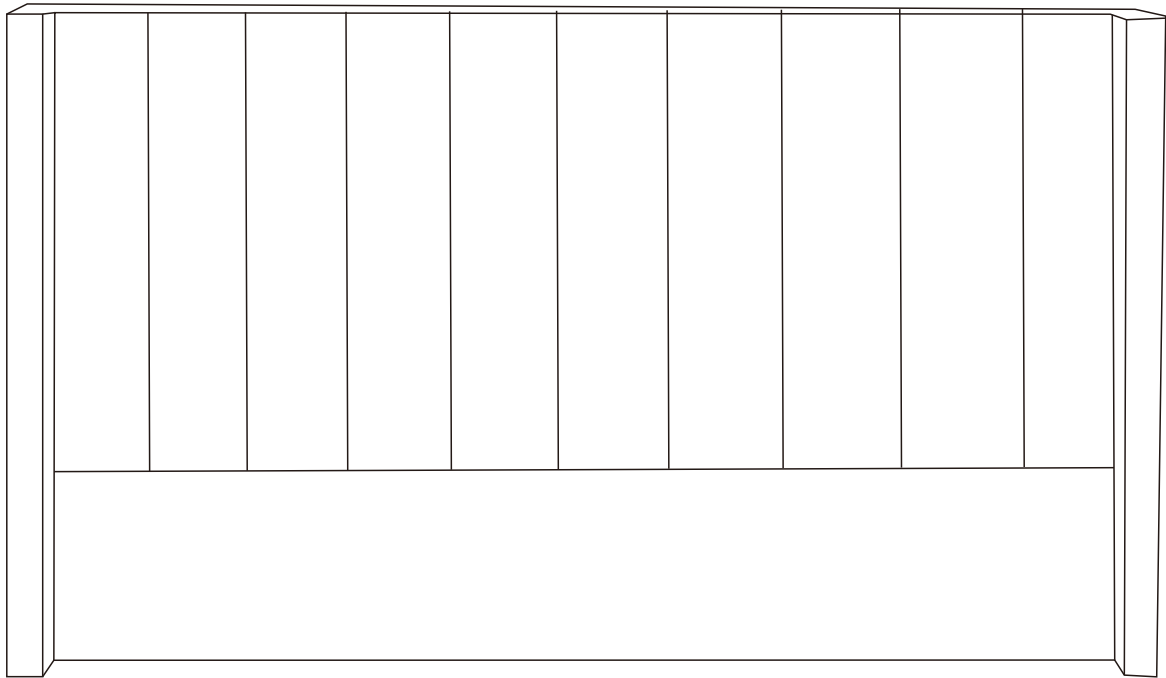


# William Bedhead

## Instruction Manual



The photos and illustrations shown in this instruction manual are generic.  
The manufacturer reserves the right to change any specification or feature without prior notice.

**IMPORTANT: KEEP FOR FUTURE REFERENCE. READ CAREFULLY.**

# Assembly Instructions

## 43709793 William Bedhead

### **CARE INSTRUCTIONS:**

WIPE CLEAN WITH A DRY CLOTH.

DO NOT USE ABRASIVE MATERIALS AND SOLVENTS.

SPOT CLEAN IF NEEDED.

KEEP AWAY FROM WATER AND DIRECT SUNLIGHT.

### **WARNING:**

DO NOT STAND ON THE BEDHEAD SURFACE.

DO NOT USE UNTIL ALL SCREWS, BOLTS AND KNOBS ARE FIRMLY SECURED.

THIS PRODUCT CONTAINS SMALL PARTS AND SHARP POINTS, KEEP AWAY FROM CHILDREN AND BABIES.





ADULT ASSEMBLY REQUIRED.

DO NOT TIGHTEN THE SCREWS FULLY DURING ASSEMBLY. FULLY TIGHTEN SCREWS AFTER THE FINAL ASSEMBLY STEPS. CHECK AND TIGHTEN ALL PARTS REGULARLY.


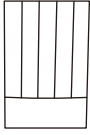


FOR INDOOR AND DOMESTIC USE.

FAILURE TO FOLLOW THESE WARNINGS COULD RESULT IN SERIOUS INJURY.

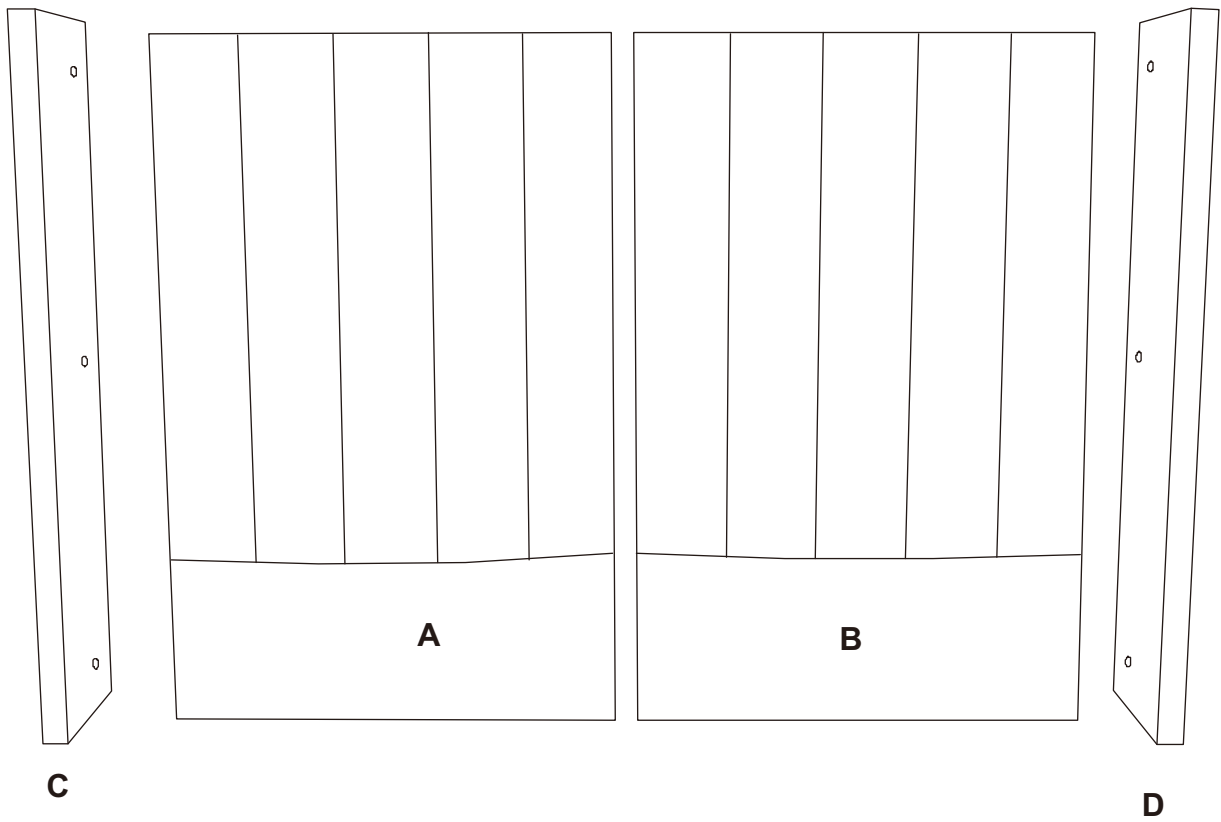
## 1 Hardware List

E		M6x50MM	10pc	F		M6	10pc	G		M6	10pc
H		M6	1pc								

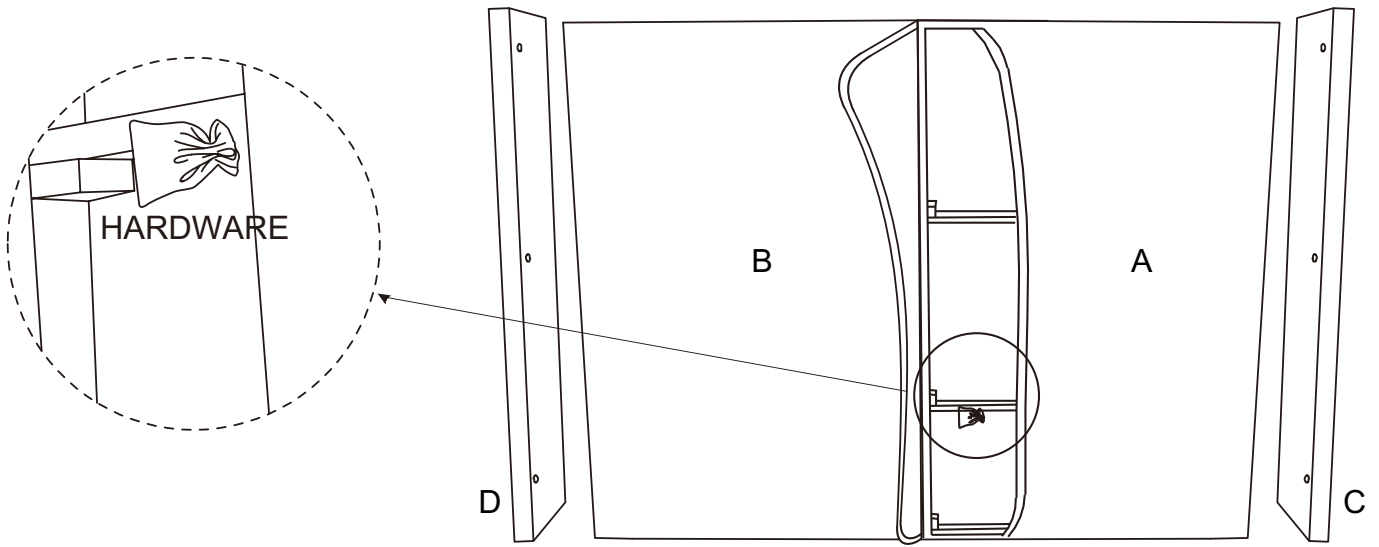
## 2 Parts List

A		1PC	B		1PC	C		1PC	D		1PC
---	---	-----	---	---	-----	---	--	-----	---	---	-----

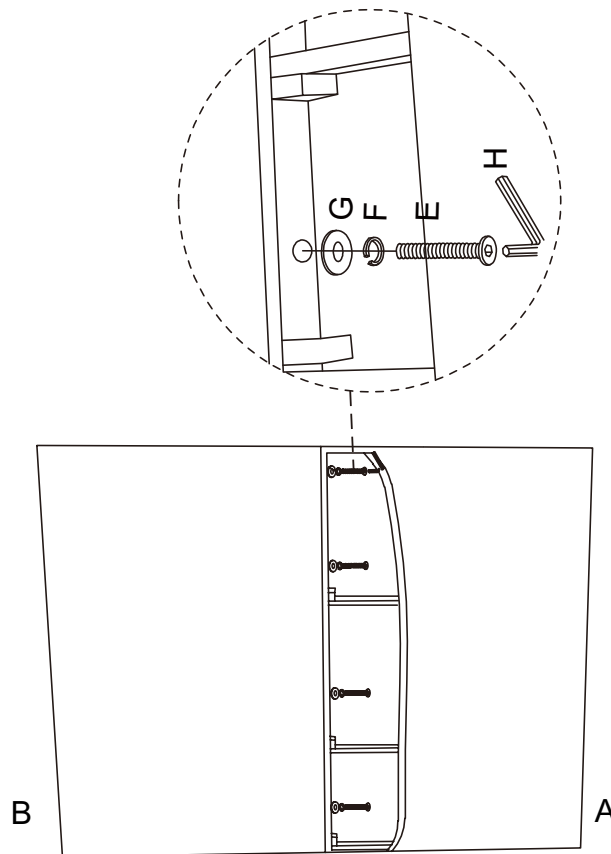
# PANEL LAYOUT


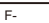



# STEP 1

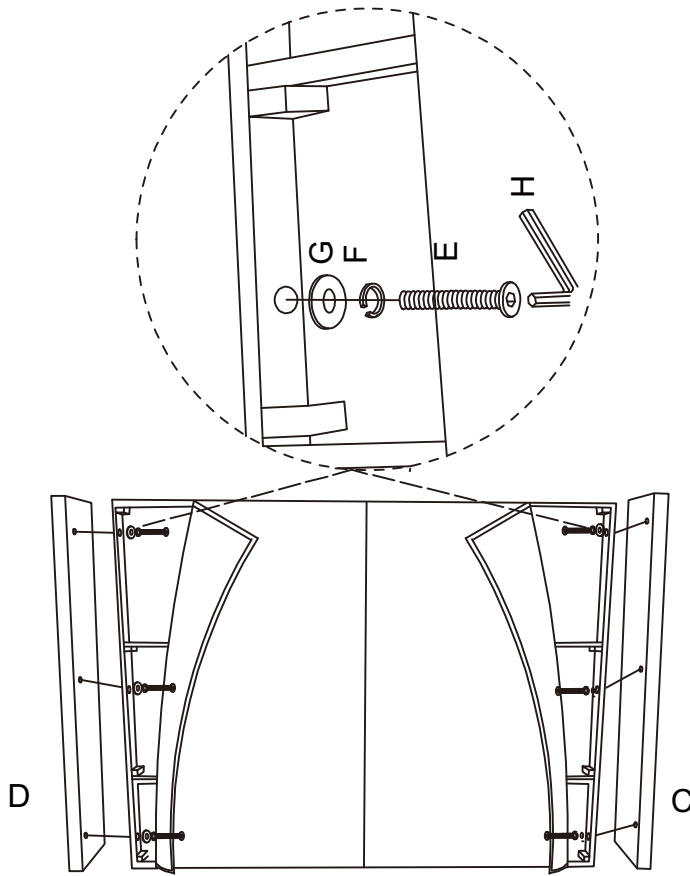


# STEP 2



E-  4pc F-  4pc G-  4pc

### STEP 3



E-		6pc	F-		6pc	G-		6pc
----	---	-----	----	---	-----	----	---	-----

### STEP 4

