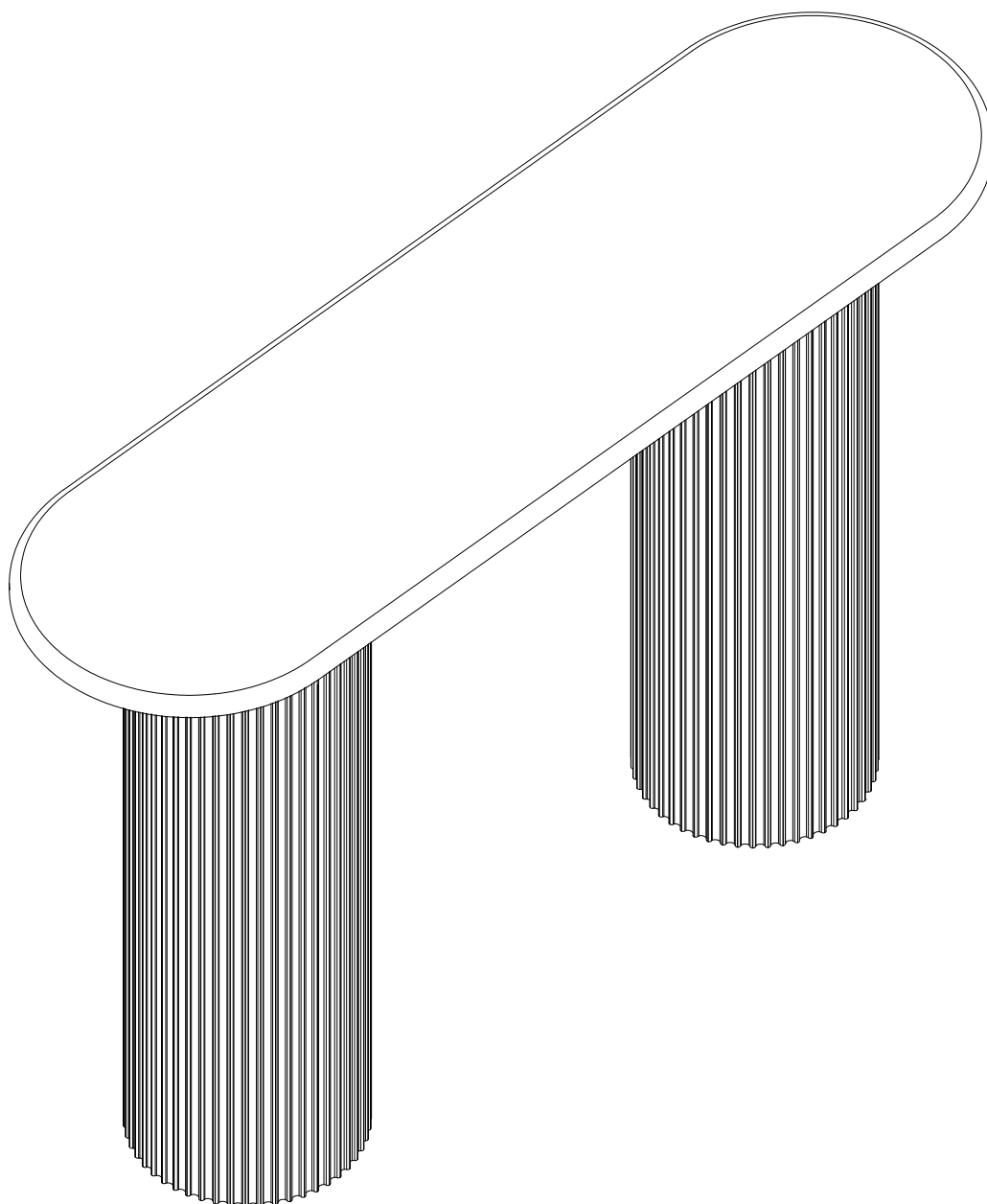


AURA HALL TABLE

Instruction Manual



The photos and illustrations shown in this instruction manual are generic.
The manufacturer reserves the right to change any specification or feature without prior notice.

IMPORTANT: KEEP FOR FUTURE REFERENCE. READ CAREFULLY.

Assembly Instructions

43709779 AURA HALL TABLE

CARE INSTRUCTIONS:

WIPE CLEAN WITH A DRY CLOTH.

DO NOT USE ABRASIVE MATERIALS AND SOLVENTS. CHECK AND TIGHTEN ALL PARTS REGULARLY.

KEEP AWAY FROM WATER AND DIRECT SUNLIGHT.

STORE IN A DRY PLACE.

FOR INDOOR AND DOMESTIC USE ONLY.

SIMPLY ALLOW TO AIR OUTSIDE AND THIS WILL FADE.

WARNING:

DO NOT STAND OR SIT ON THIS UNIT.

DO NOT USE THIS UNIT UNLESS ALL BOLTS AND SCREWS ARE FIRMLY SECURED.

DO NOT KNOCK OR DRAG THIS UNIT.

USE ONLY ON A FLAT SURFACE.

DO NOT PLACE HOT ITEMS SUCH AS COFFEE CUPS DIRECTLY ON THE SURFACE.

ADULT ASSEMBLY REQUIRED.

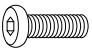
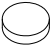
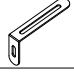



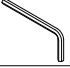
FAILURE TO FOLLOW THESE WARNINGS COULD RESULT IN SERIOUS INJURY.

THIS PACKAGE CONTAINS SMALL PARTS AND SHARP POINTS.

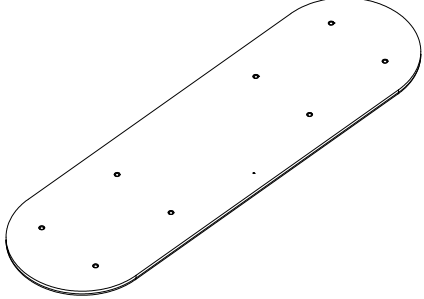
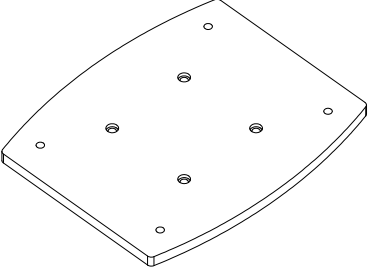
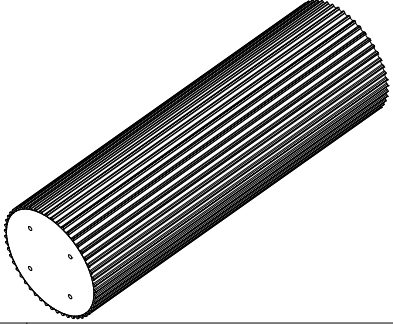
KEEP AWAY FROM CHILDREN AND BABIES.

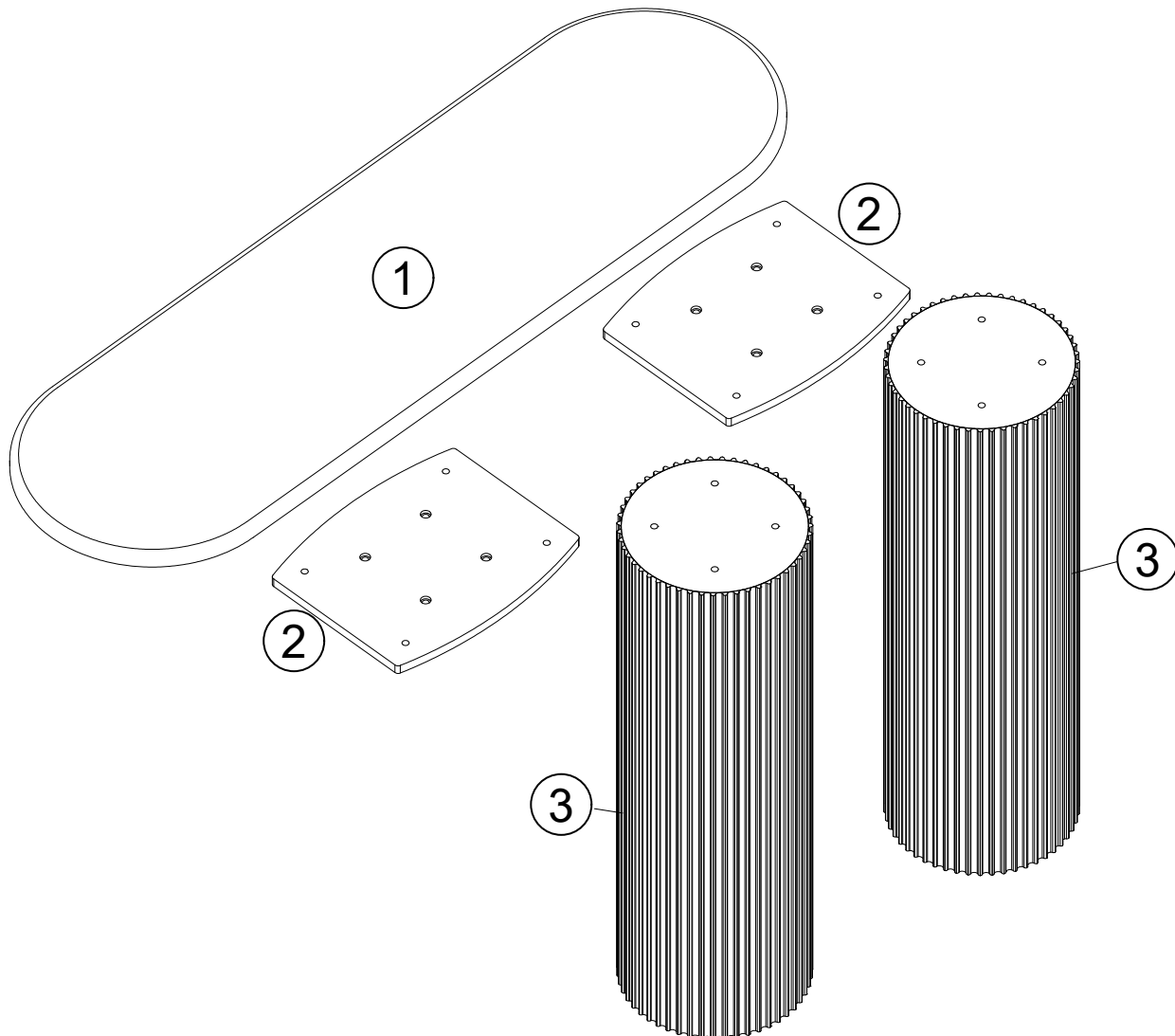
MAXIMUM SAFE LOAD: 15KG FOR TOP PANEL.

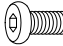

1 Hardware List

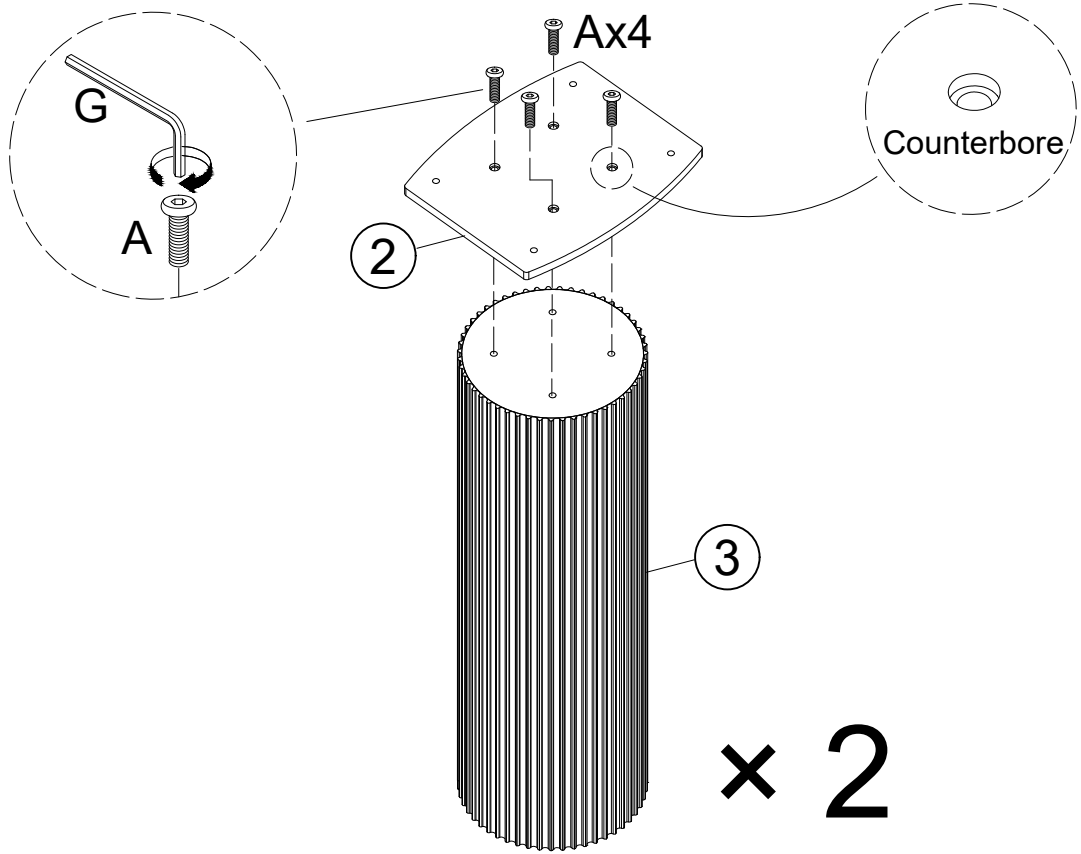
	A	M6x20mm	16pcs		B	∅20mm	8pcs		C		1pc
	D	∅6x30mm	1pc		E	M4x14mm	1pc		F	M4x40mm	1pc
	G	4mm	1pc								



2 Parts List

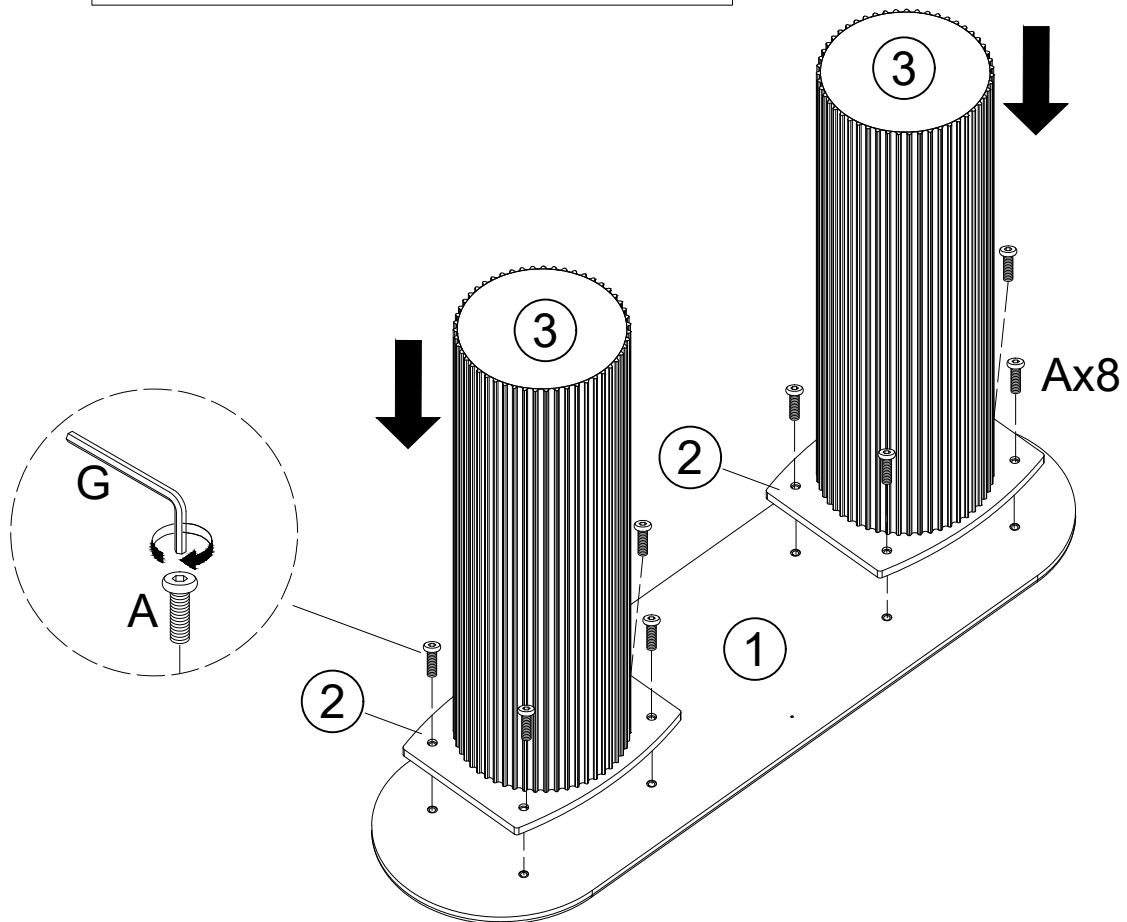
	①	1pc		②	2pcs		③	2pcs
--	---	-----	---	---	------	---	---	------



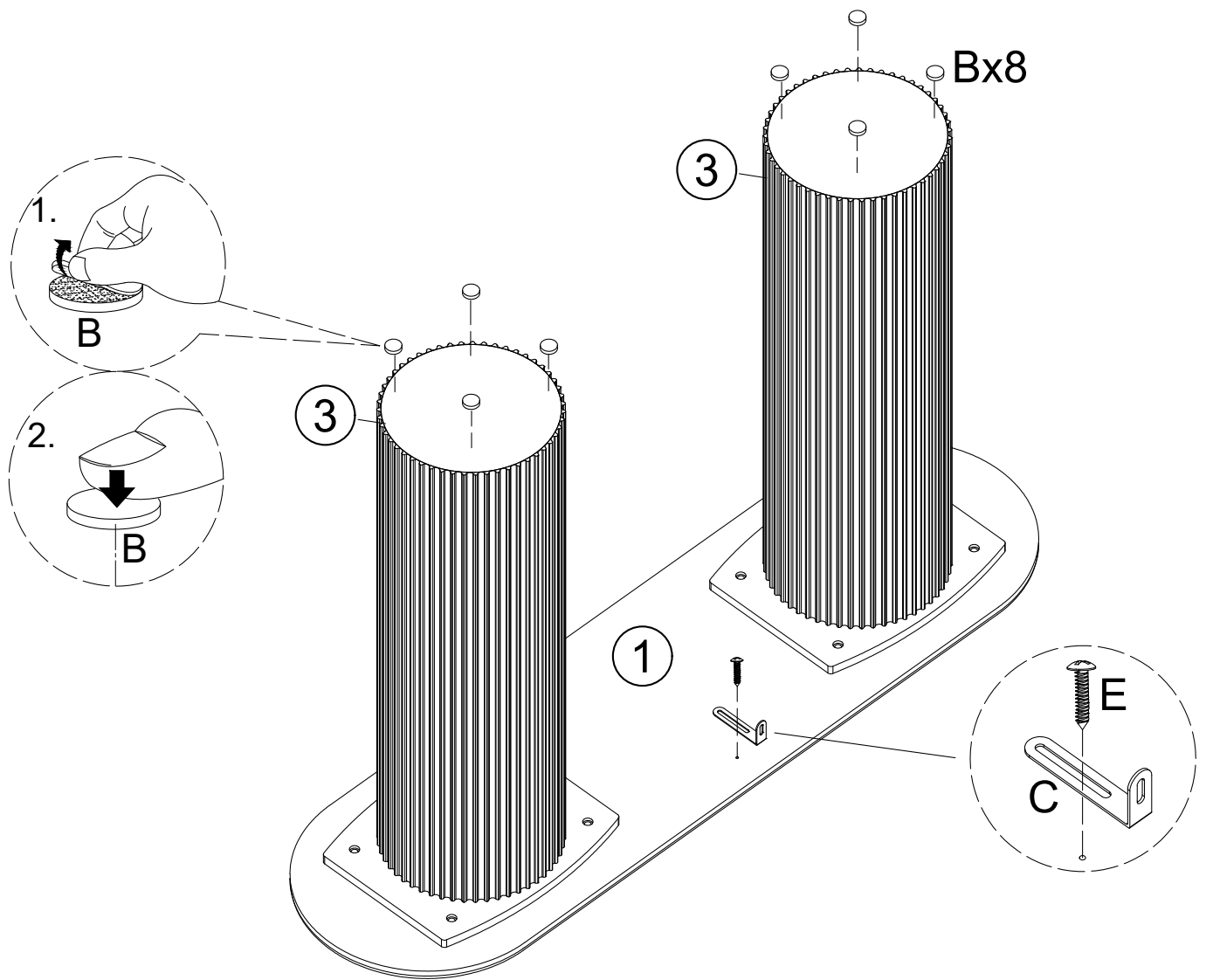
STEP 1 A -  × 8 G -  × 1



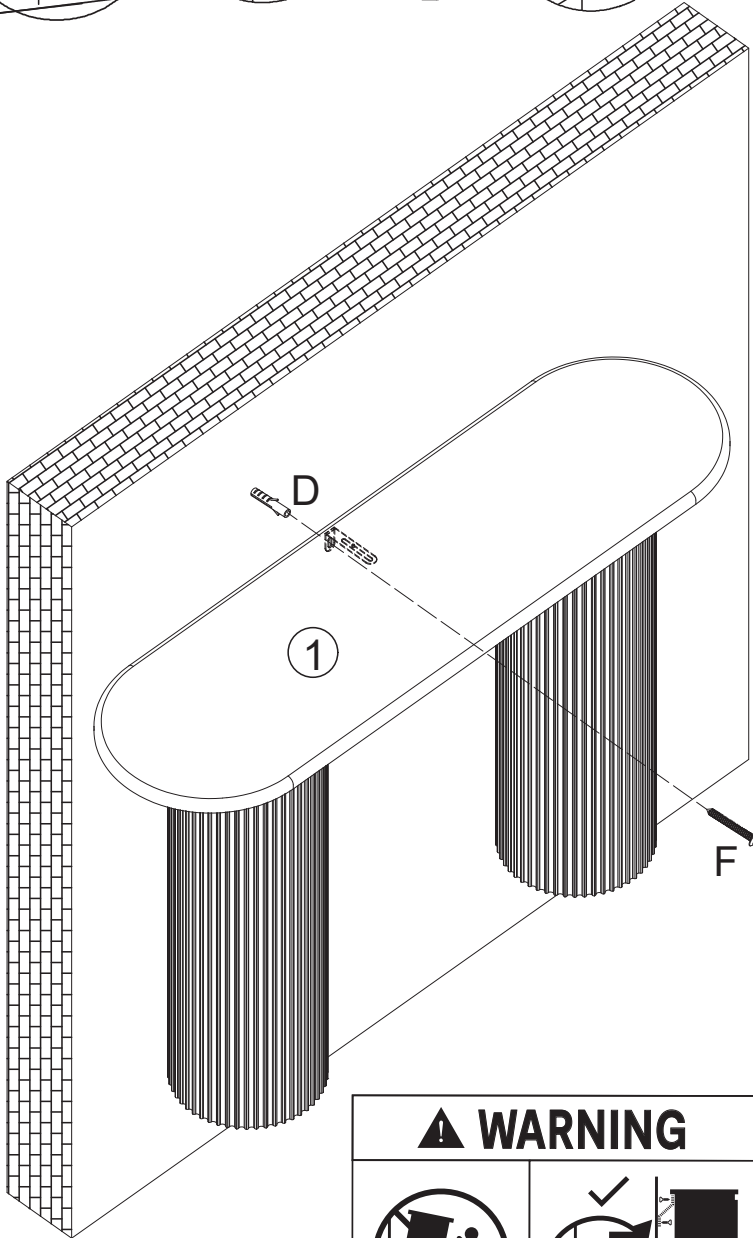
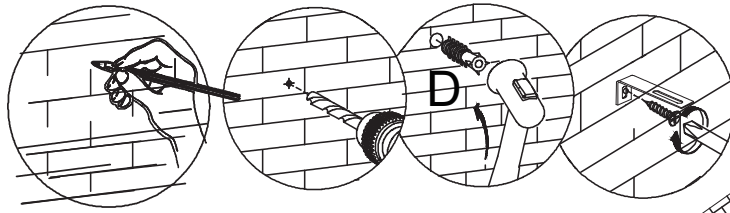
STEP 2 A -  × 8 G -  × 1



STEP 3 B - ○ × 8 C -  × 1 E -  × 1



STEP 4 D -  × 1 F -  × 1



⚠ WARNING





Children have died from furniture tipover.

- ALWAYS secure it with an anchor device.
- NEVER allow children to stand, climb or hang on drawers, doors, or shelves.
- NEVER open more than one drawer at a time.
- Place heavy items down low.
- Furniture type is at risk of toppling over.

NEVER put a TV on this furniture 

This is a permanent label. Do not remove!

TOPPLING FURNITURE WARNING:

- ALWAYS secure it with an anchor device.
- Please seek professional advice if you are in doubt of what fixing device to use.
- Regularly check that anchors are securely maintained.
- Use safety drawer locks to prevent children climbing.
- Stability of tall items may be affected by thick pile carpet or uneven floors .
- Do not place unanchored televisions on furniture .

CAUTION: for your safety when attaching the anchor fixings, please note the following:

- Check any electrical wires or plumbing inside the wall before drilling any holes (if you are unsure please seek professional advice from a qualified tradesperson).



WARNING: PLEASE SECURE YOUR FURNITURE WITH THE SUPPLIED WALL FIXING. SCAN THE CODE FOR MORE INFORMATION.

