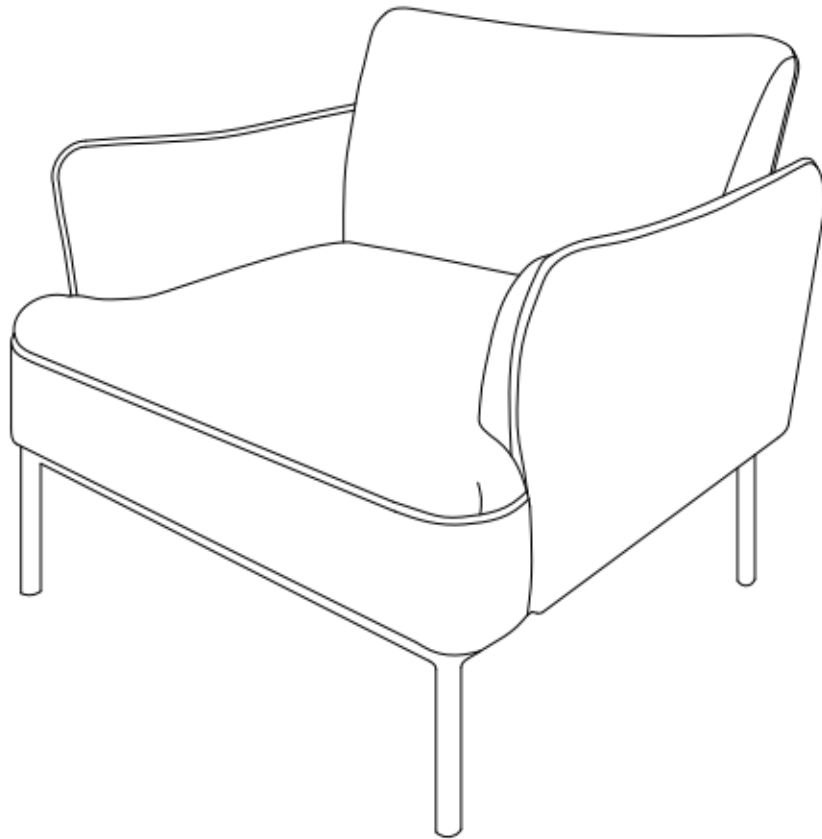


Logan Lounge Chair

Instruction Manual



The photos and illustrations shown in this instruction manual are generic.
The manufacturer reserves the right to change any specification or feature without prior notice.

IMPORTANT: KEEP FOR FUTURE REFERENCE. READ CAREFULLY.

Assembly Instructions

43709618 Logan Lounge Chair

CARE INSTRUCTIONS:

WIPE CLEAN WITH A SOFT DAMP CLOTH.

DO NOT USE ABRASIVE MATERIAL AND SOLVENTS.

SPOT CLEAN IF NEEDED.

KEEP AWAY FROM WATER AND DIRECT SUNLIGHT.

STORE IN A DRY PLACE.

WARNING:

DO NOT STAND ON THIS CHAIR.

DO NOT USE THIS CHAIR AS A STEP LADDER.

USE THIS PRODUCT FOR SEATING ONE PERSON AT A TIME.

DO NOT USE THIS CHAIR UNLESS ALL BOLTS, SCREWS AND KNOBS ARE FIRMLY SECURED.

DO NOT TIGHTEN THE SCREWS FULLY DURING ASSEMBLY, FULLY TIGHTEN SCREWS AFTER THE FINAL ASSEMBLY STEPS.





CHECK AND TIGHTEN ALL PARTS REGULARLY.

FOR INDOOR AND DOMESTIC USE ONLY.

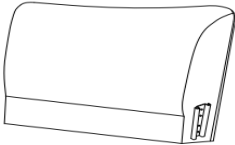
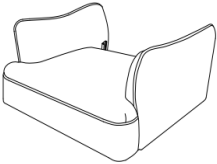
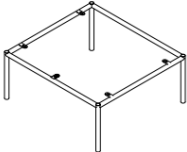
FAILURE TO FOLLOW THESE WARNINGS COULD RESULT IN SERIOUS INJURY.

MAXIMUM SAFE LOAD: 100KG

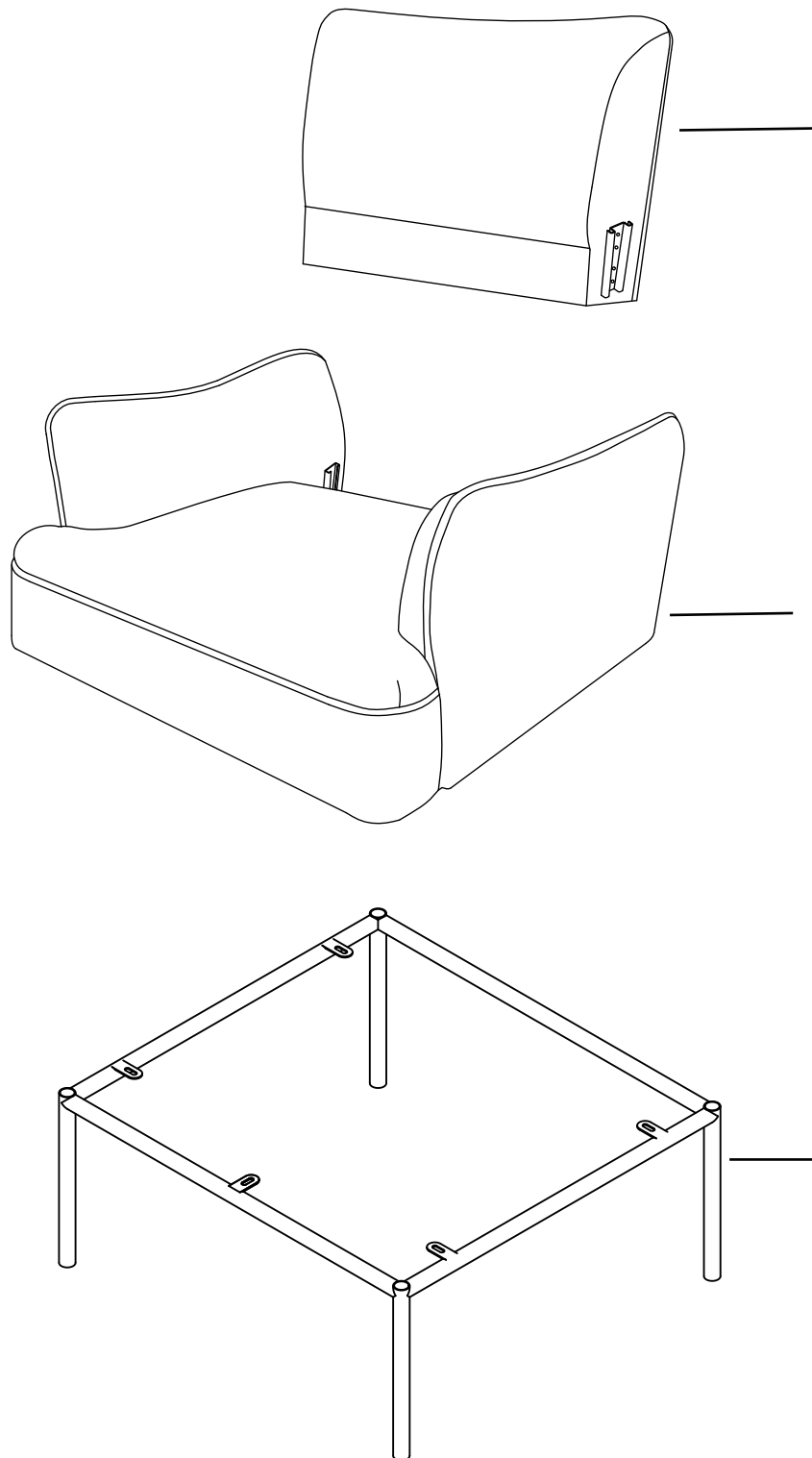
1 Hardware List

A		M8x30mm	5pcs	B		M4	1pc
C		Ø8*Ø13*2mm	5PCS	D		Ø8*Ø22*1.5mm	5PCS

2 Parts List

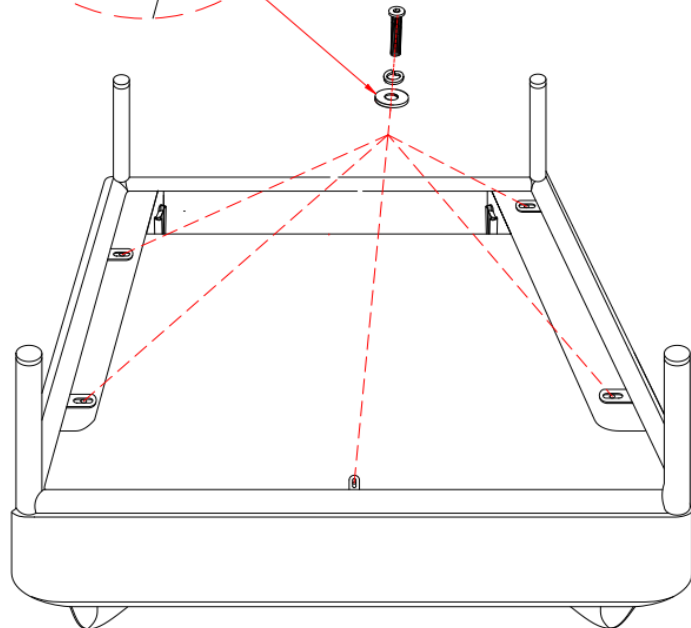
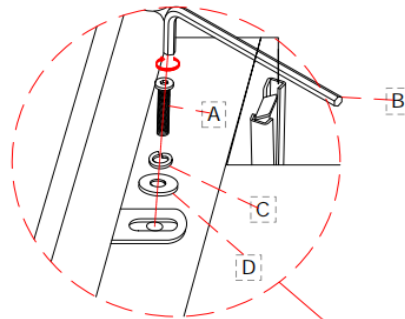
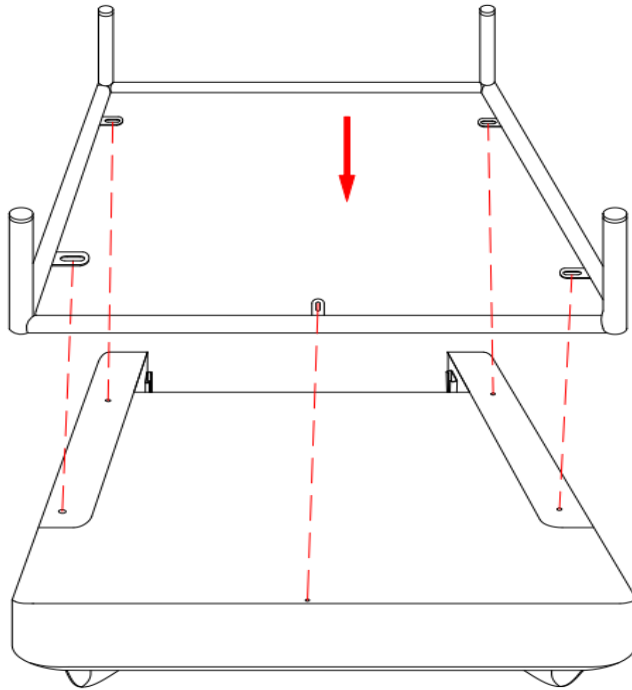
			
① 1PC	② 1PC	③ 1PC	





PANEL LAYOUT



ASSEMBLY INSTRUCTIONS

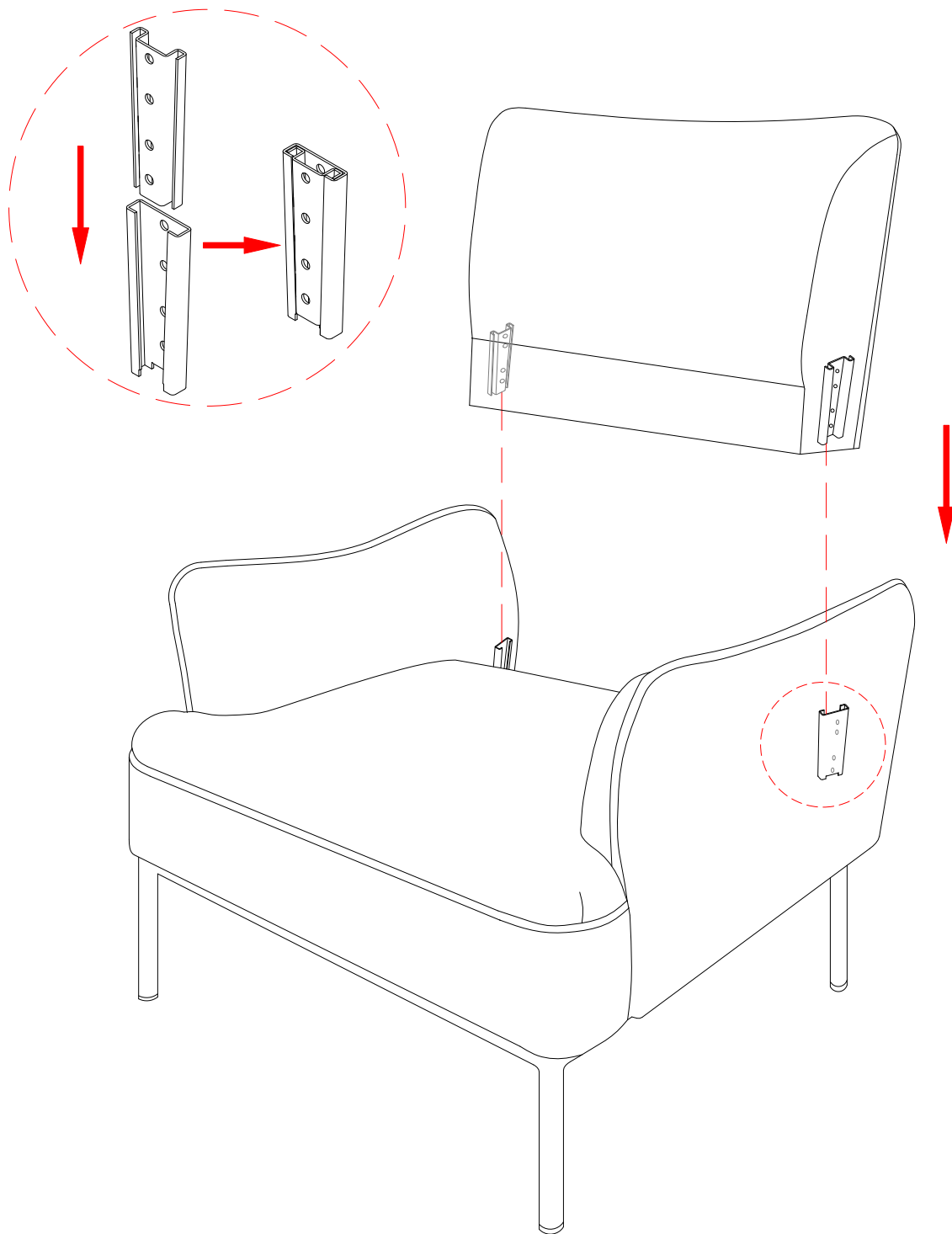
STEP-1



A-  x5	B-  x1
C-  x5	D-  x5

ASSEMBLY INSTRUCTIONS

STEP-2



ASSEMBLY INSTRUCTIONS

