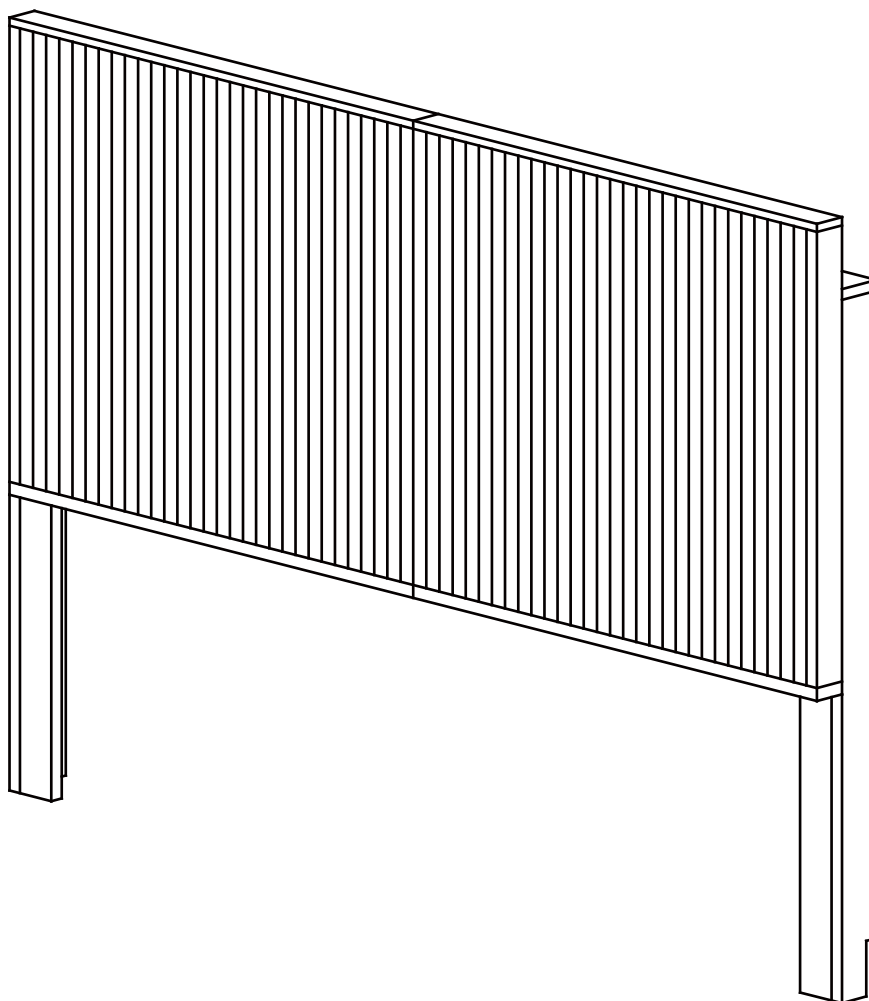


# RYAN RIBBED BEDHEAD

## Instruction Manual



The photos and illustrations shown in this instruction manual are generic.  
The manufacturer reserves the right to change any specification or feature without prior notice.

**IMPORTANT: KEEP FOR FUTURE REFERENCE. READ CAREFULLY.**

# Assembly Instructions

43709564 RYAN RIBBED BEDHEAD

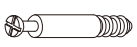


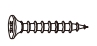





## **CARE INSTRUCTIONS:**

WIPE CLEAN WITH A DAMP OR DRY CLOTH.  
NEVER USE SCOURERS OR CHEMICAL SOLVENTS. KEEP AWAY FROM MOISTURE  
AND DIRECT SUNLIGHT.  
STORE IN A DRY PLACE.  
FOR INDOOR USE ONLY.

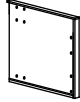
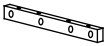

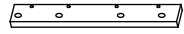
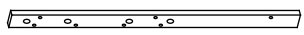


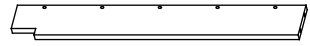


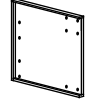
## **WARNING:**

DO NOT STAND, SIT OR LEAN ON THE UNIT.  
DO NOT USE THIS AS A STEP LADDER.  
ENSURE THIS UNIT IS USED ONLY ON A FLAT SURFACE.  
DO NOT USE THIS UNIT UNLESS ALL BOLTS AND SCREWS ARE FIRMLY SECURED.  
DO NOT PLACE HOT OBJECTS SUCH AS COFFEE CUPS DIRECTLY ON THE SURFACE OF  
THIS FURNITURE ITEM.  
CONTAINS SMALL PARTS, IT IS TO BE ASSEMBLED BY AN ADULT.  
FAILURE TO FOLLOW THESE WARNINGS COULD RESULT IN SERIOUS INJURY.

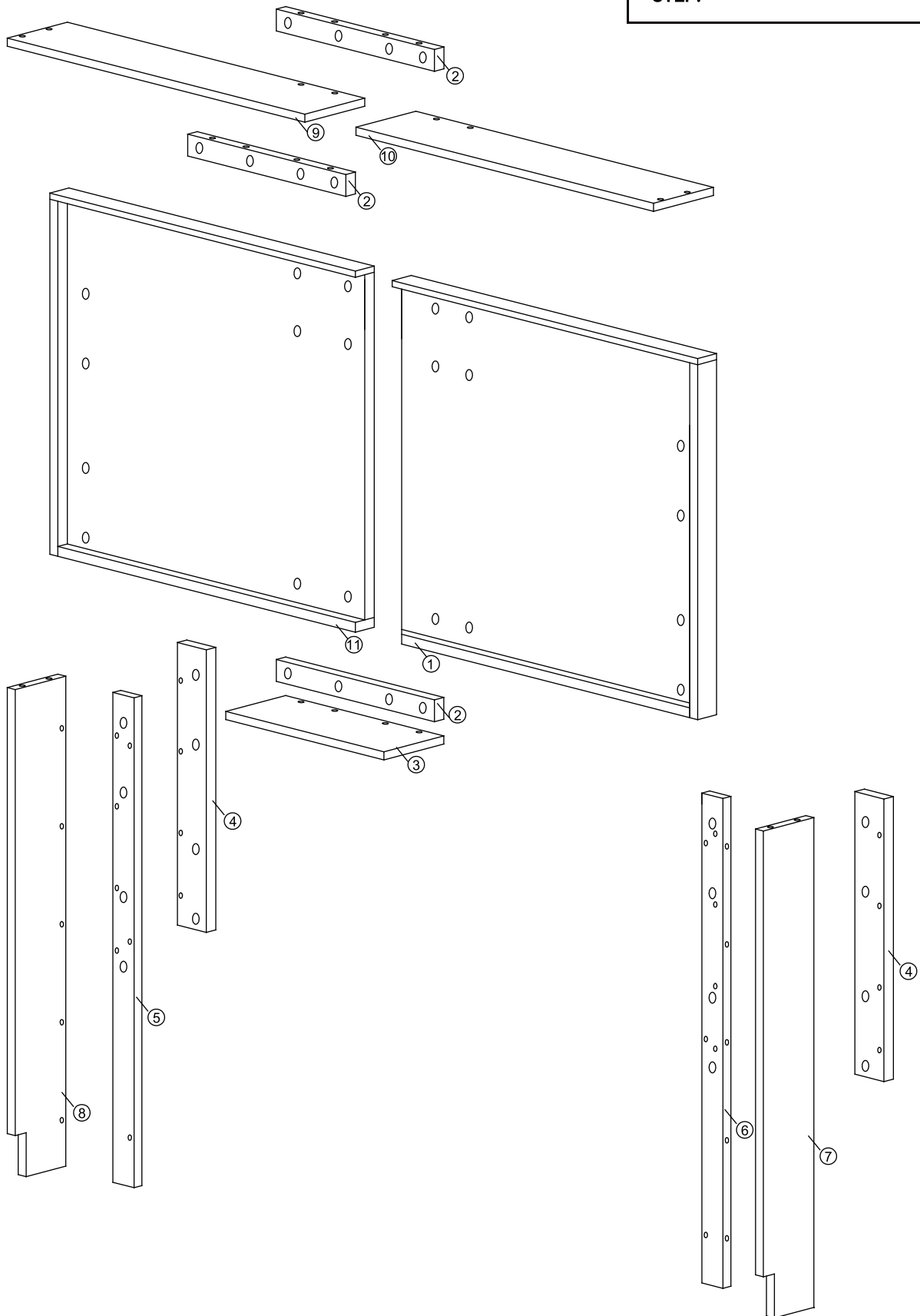
# 1 Hardware List

	A		6pcs		B		6pcs		C	Ø6x30mm	4pcs
	D	M4x35mm	20pcs		E	M6x30mm	12pcs		F	M6x45mm	8pcs
	G	Ø6mm	8pcs		H	Ø30mm	2pcs		I	M4mm	1pc

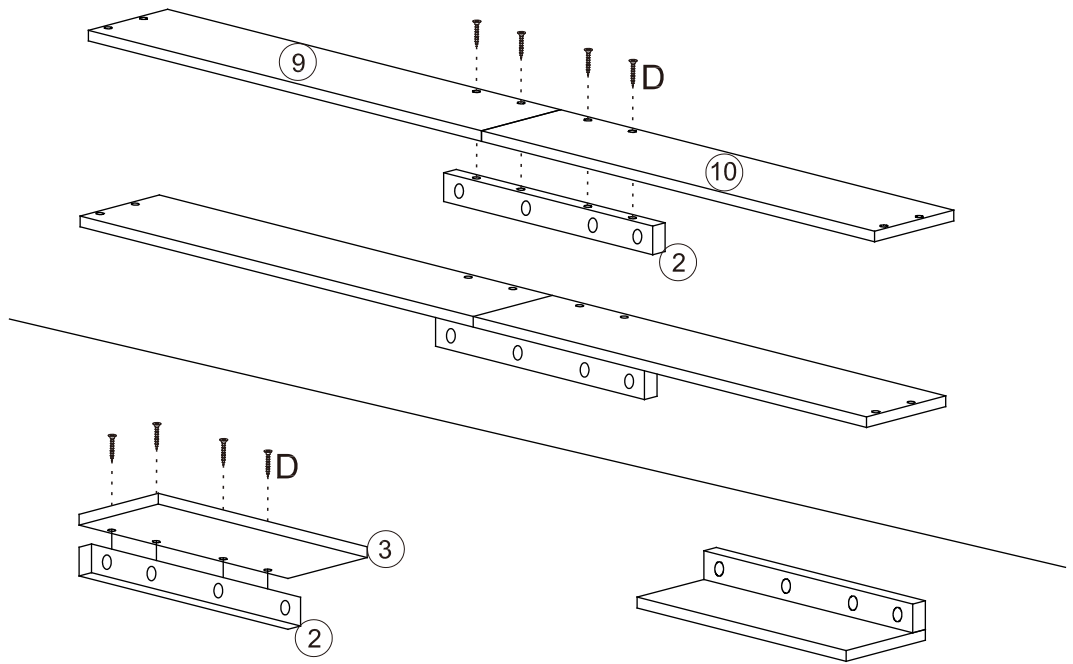
# 2 Parts List

							
①	1pc	②	3pcs	③	1pc	④	2pcs
							
⑤	1pc	⑥	1pc	⑦	1pc	⑧	1pc
							
⑨	1pc	⑩	1pc	⑪	1pc		

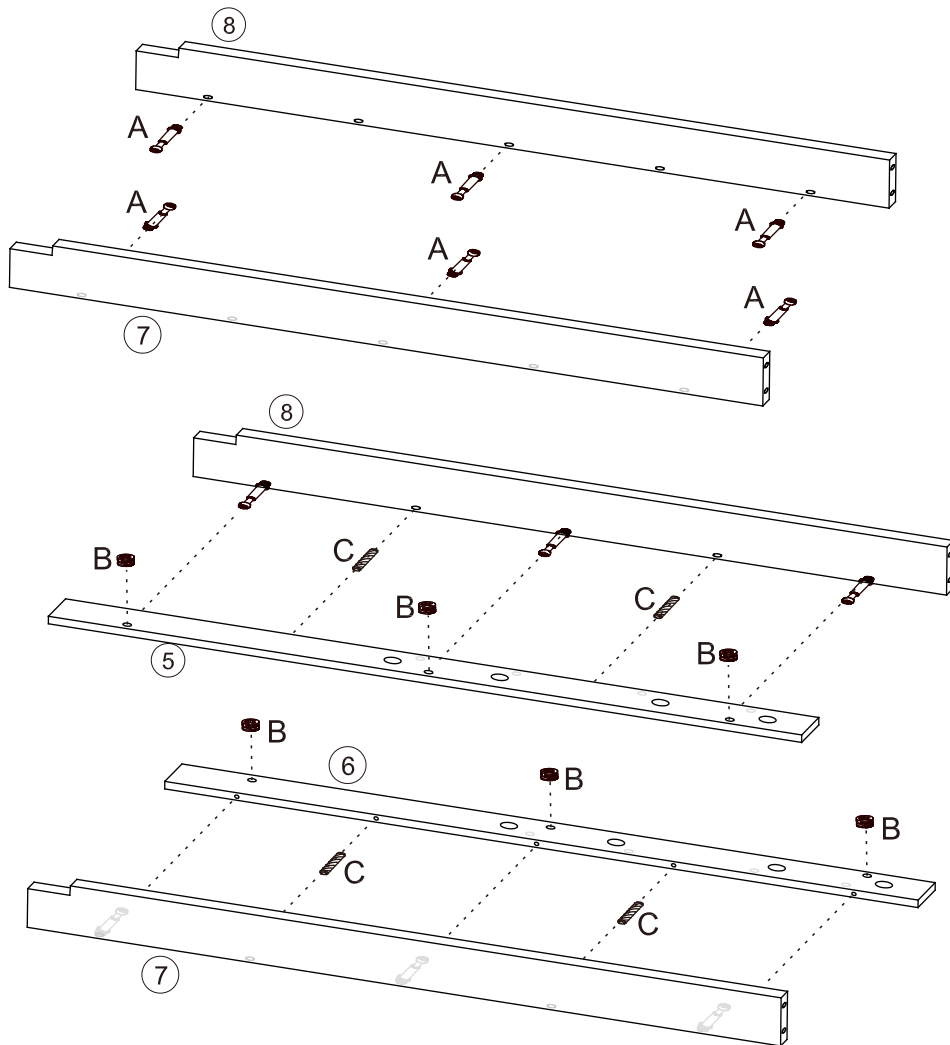
**ATTENTION:  
DO NOT TIGHTEN THE SCREWS FULLY  
DURING ASSEMBLY. FULLY TIGHTEN  
SCREWS AFTER THE FINAL ASSEMBLY  
STEP.**



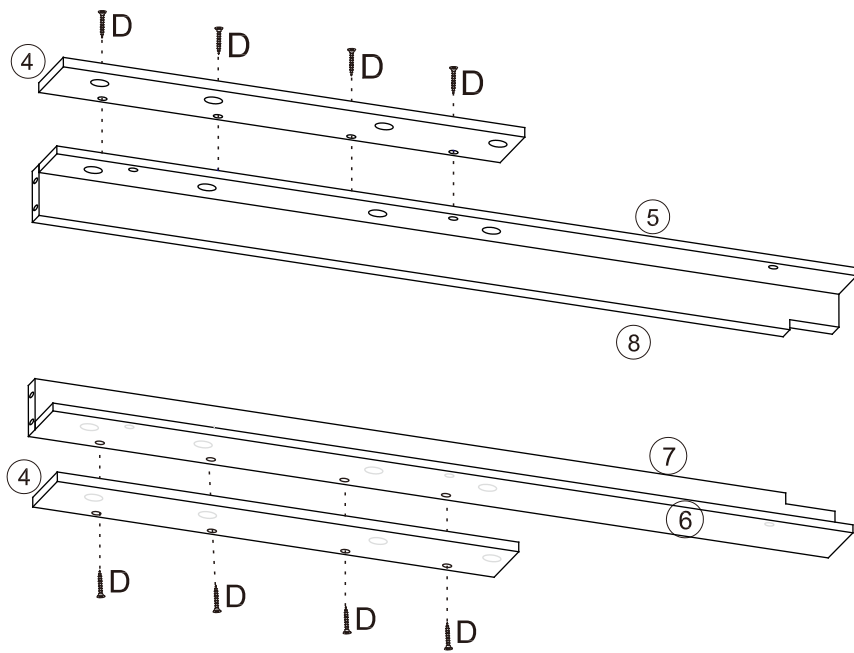
STEP 1 **D - I × 8**



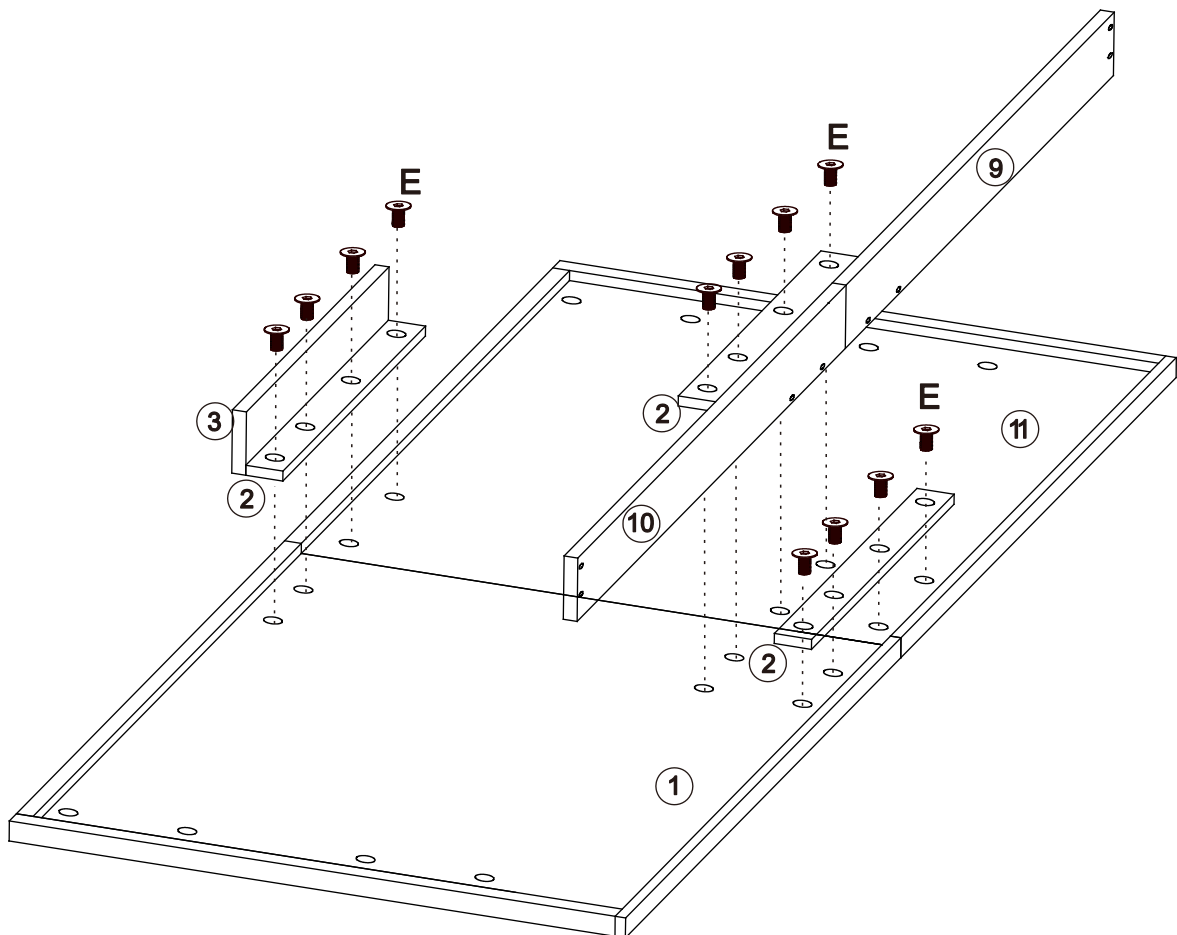
STEP 2 **A - I × 6 B - ● × 6 C - U × 4**



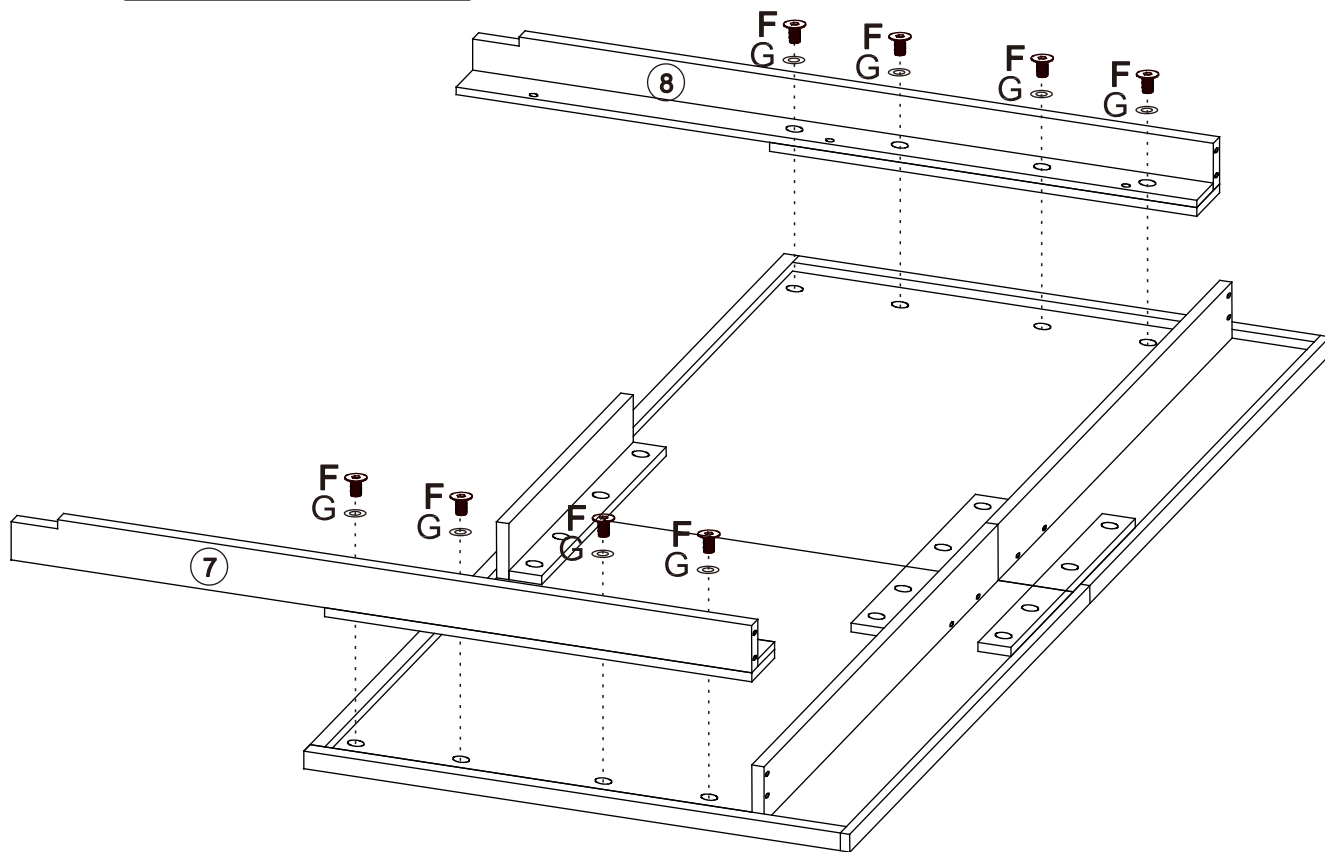
STEP 3 **D -  $\uparrow$  × 8**



STEP 4 **E -  $\uparrow$  × 12**



STEP 5 **F- $\bar{\text{I}}$ ×8 G- $\odot$ ×8 I- $\wedge$ ×1**



STEP 6 **D- $\bar{\text{I}}$ ×4 H- $\odot$ ×2**

