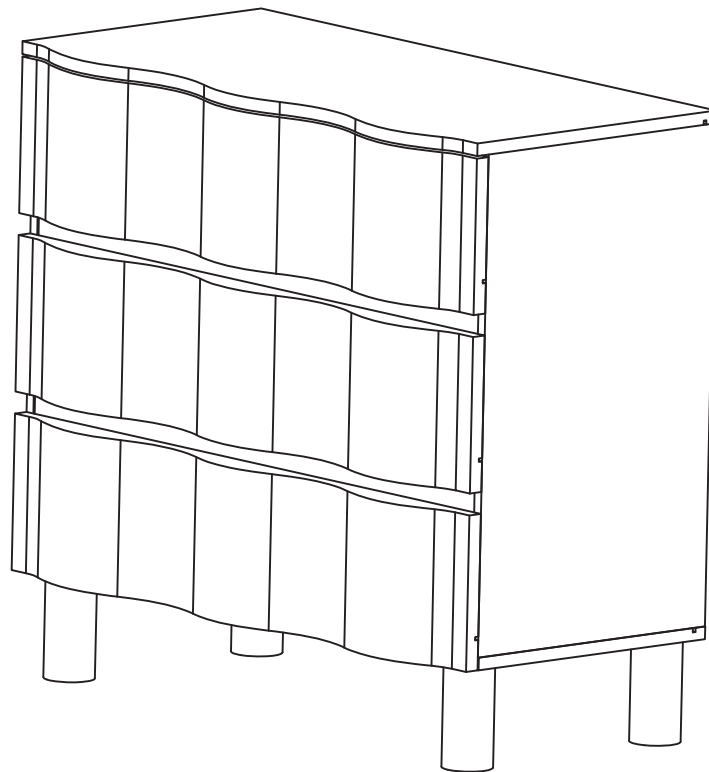


Ripple 3 Drawer Chest

Instruction Manual



The photos and illustrations shown in this instruction manual are generic.
The manufacturer reserves the right to change any specification or feature without prior notice.

IMPORTANT: KEEP FOR FUTURE REFERENCE. READ CAREFULLY.

Assembly Instructions

K:43709342 | T:72777657 RIPPLE 3 DRAWER CHEST WALNUT
K:43709366 | T:72777664 RIPPLE 3 DRAWER CHEST OAK

WARNING:

TO BE ASSEMBLED ON A CLEAN, DRY AND SMOOTH SURFACE.

WIPE CLEAN WITH A SOFT DAMP CLOTH.

NEVER USE SCOURERS, ABRASIVES OR CHEMICAL SOLVENTS.

CHECK AND TIGHTEN ALL PARTS REGULARLY.

KEEP AWAY FROM MOISTURE AND DIRECT SUNLIGHT.

STORE IN A DRY PLACE.

FOR INDOOR AND DOMESTIC USE ONLY.

CARE INSTRUCTIONS:

DO NOT STAND, SIT OR LEAN ON THIS UNIT.

DO NOT USE THIS UNIT AS A STEP LADDER OR AS A CHOPPING SURFACE.

KEEP AWAY FROM CHILDREN AND BABIES.

ADULT ASSEMBLY REQUIRED.













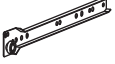
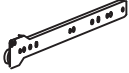



USE ONLY ON A FLAT SURFACE.

DO NOT USE THIS UNIT UNLESS ALL BOLTS AND SCREWS ARE FIRMLY SECURED.





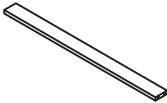
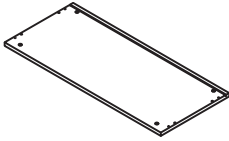
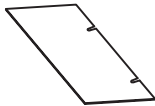

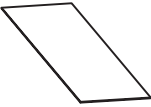
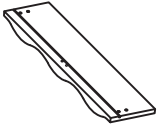
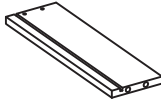
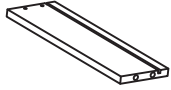
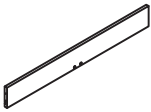
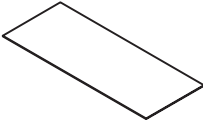
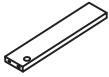

MAXIMUM SAFE LOAD:

15KG FOR TOP PANEL, 7KG FOR EACH DRAWER.

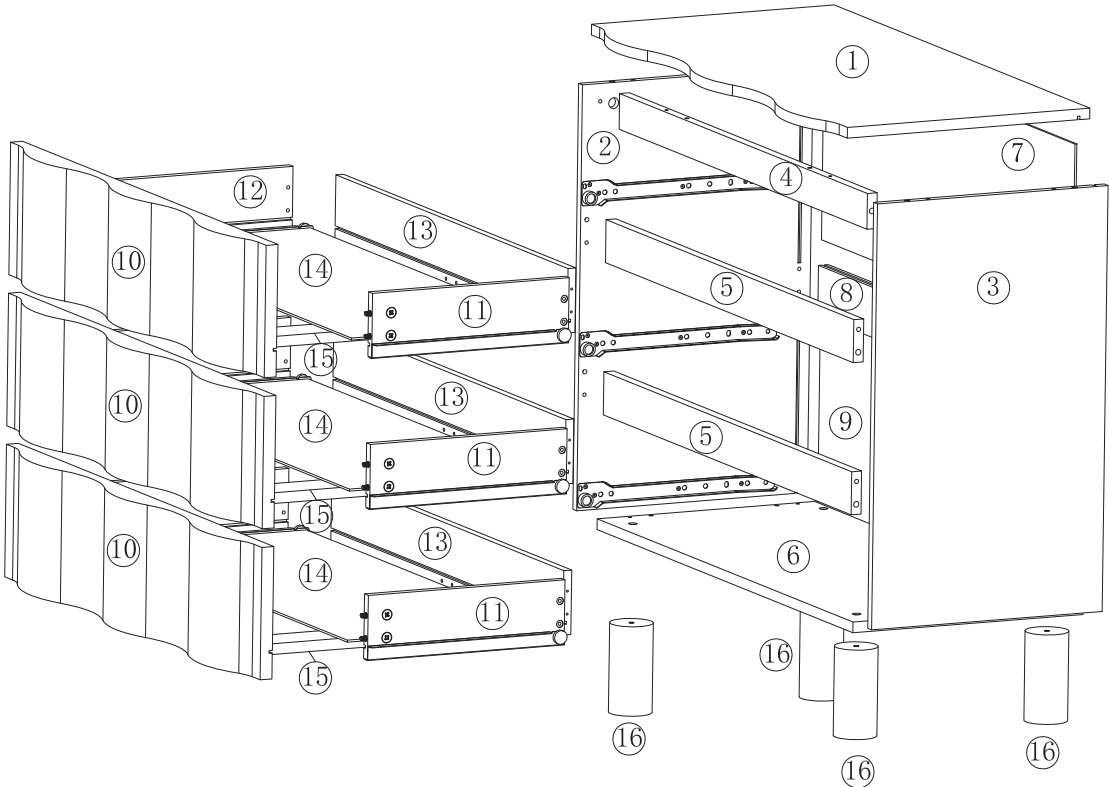
1 Hardware List

A		6X30mm	17	B		6X35mm	29	C		15X10mm	29	D		4X35mm	22
E		3X12mm	42	F		M7X50mm	4	G		4X35mm	2	H		3X15mm	8
K			8	O			2	P			2	Q		50mm	4
CL			3	CR			3	DL			3	DR			3
			1												

2 Parts List

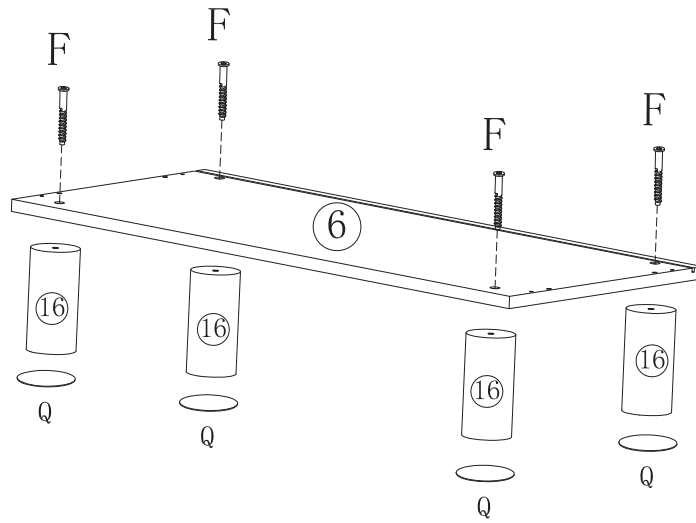
① /1PC	② /1PC	③ /1PC	④ /1PC
			
⑤ /2PCS	⑥ /1PC	⑦ /1PC	⑧ /1PC
			
⑨ /1PC	⑩ /3PCS	⑪ /3PCS	⑫ /3PCS
			
⑬ /3PCS	⑭ /3PCS	⑮ /3PCS	⑯ /4PCS
			

PANEL LAYOUT



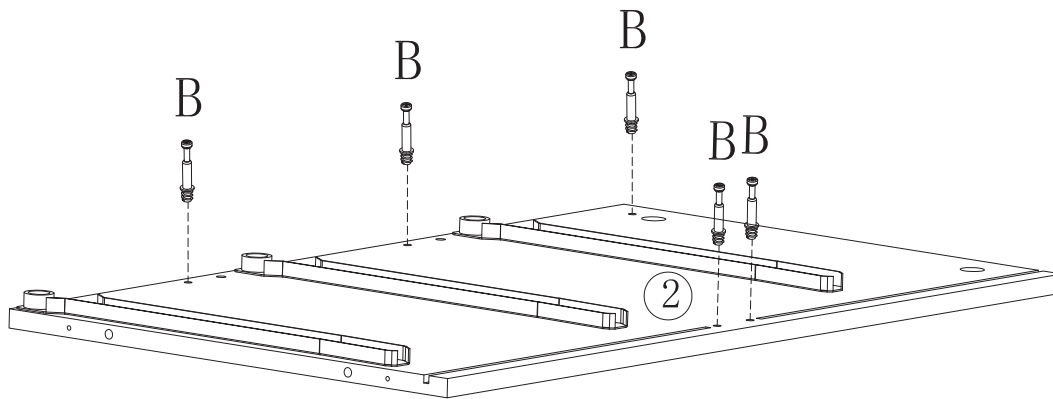
STEP 1

Q	-	○	4
F	-	⌚	X4
		⌒	X1

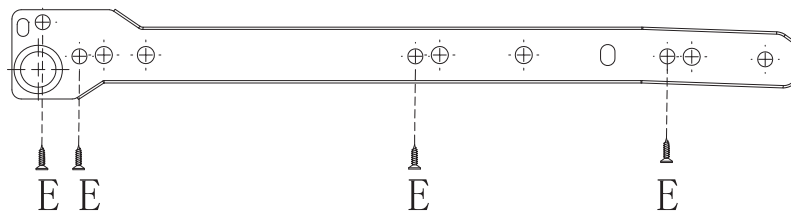


STEP 2

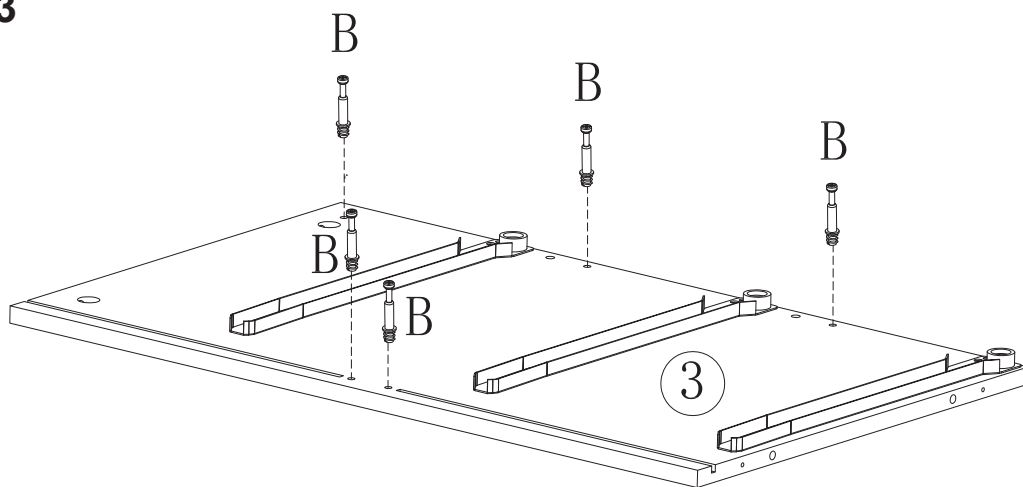
B	-	⌚	X5
E	-	⌚	X12
CL	-	⌒	X3



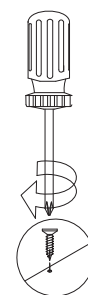
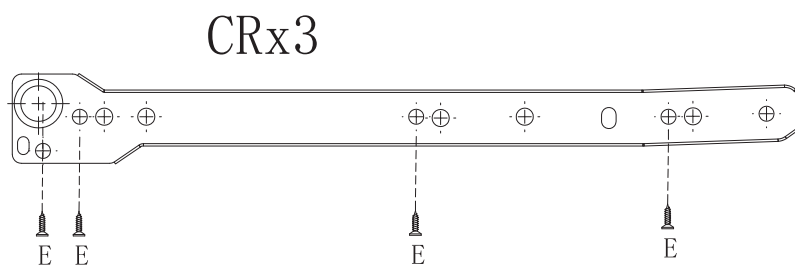
CLx3



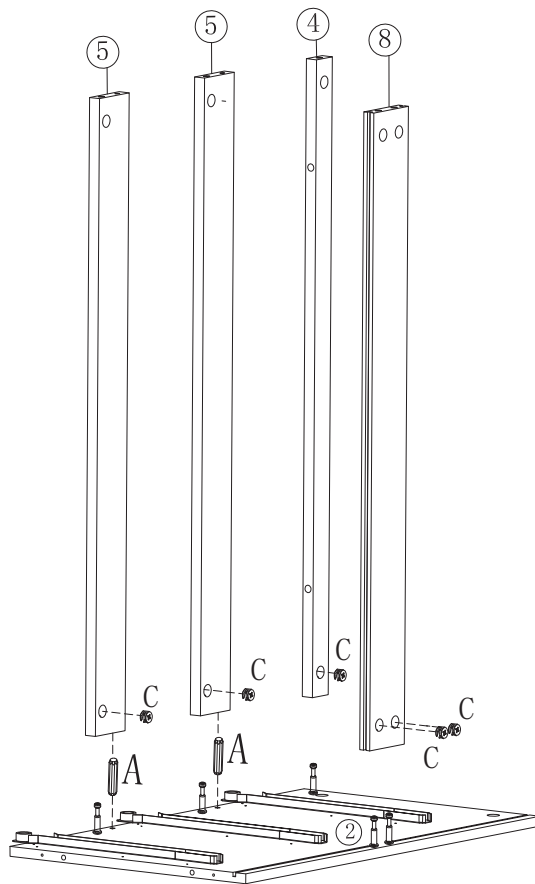
STEP 3



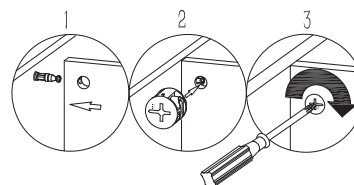
B -		X5
E -		X12
CR-		X3



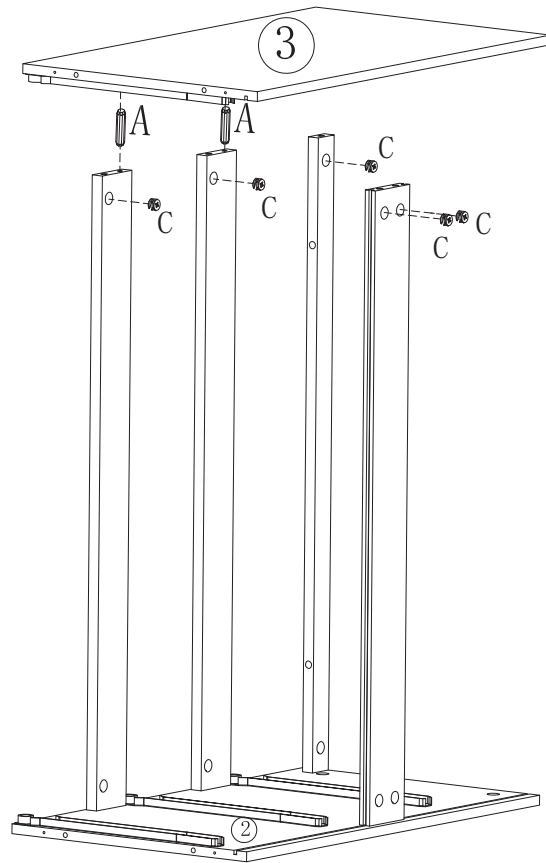
STEP 4





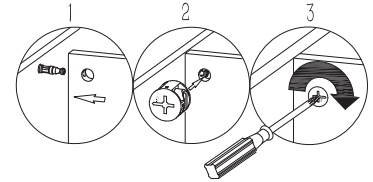
C -		X5
A -		X2



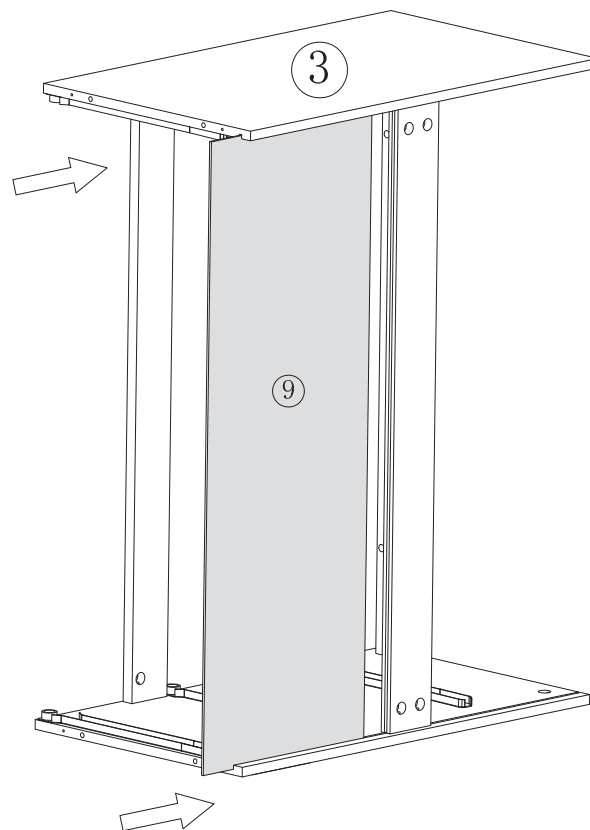
STEP 5



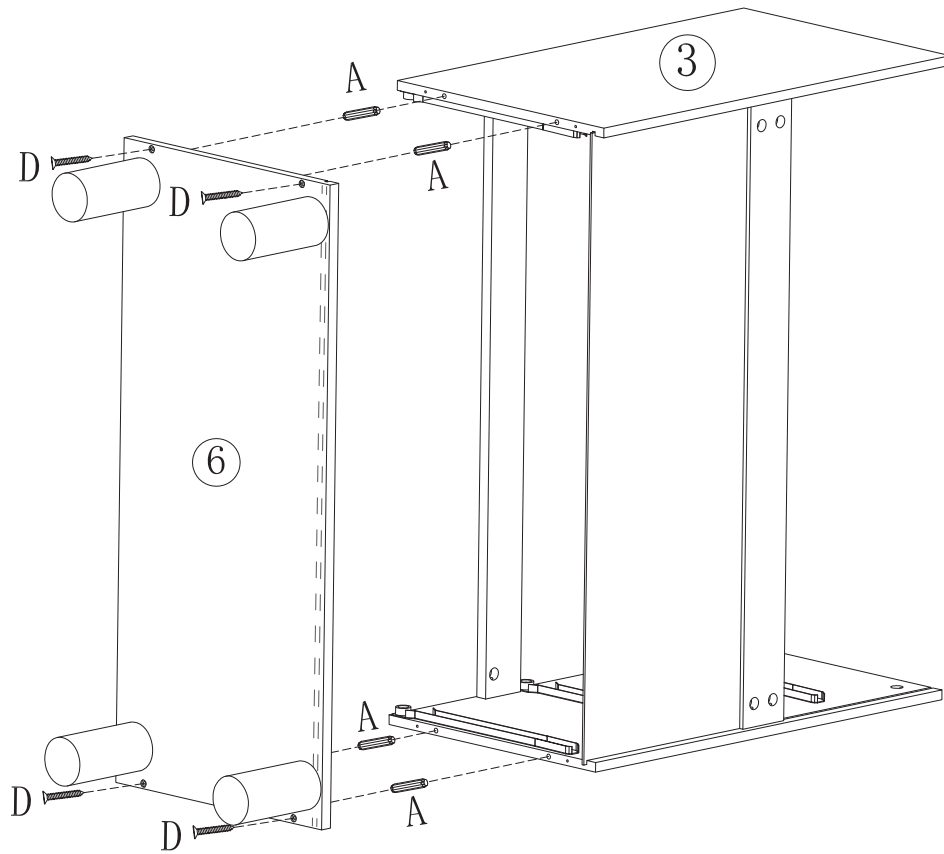
C -		X5
A -		X2





STEP 6

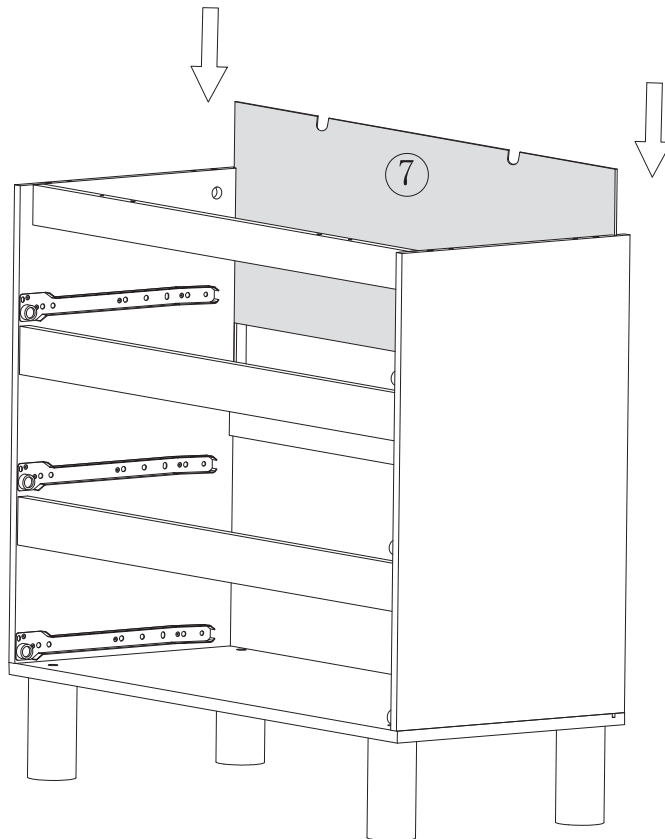


STEP 7





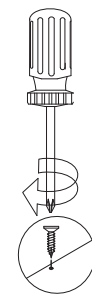
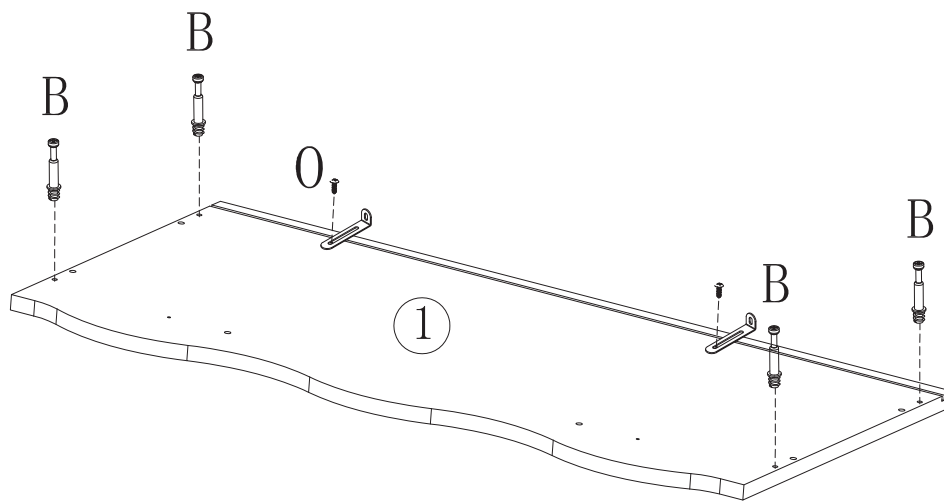
A-	 X4
D-	 X4

STEP 8


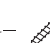



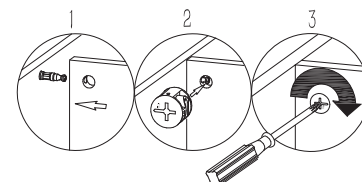
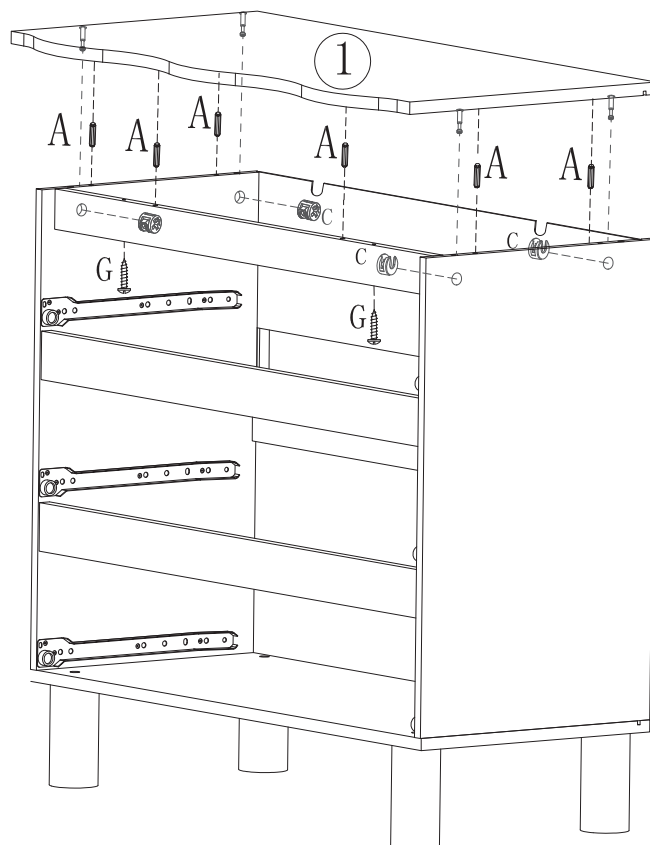
STEP 9

- | | | | |
|---|---|---|----|
| O | - |  | X2 |
| B | - |  | X4 |

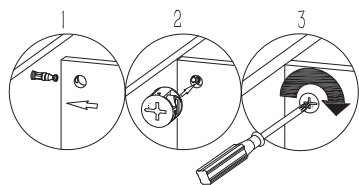


STEP 10

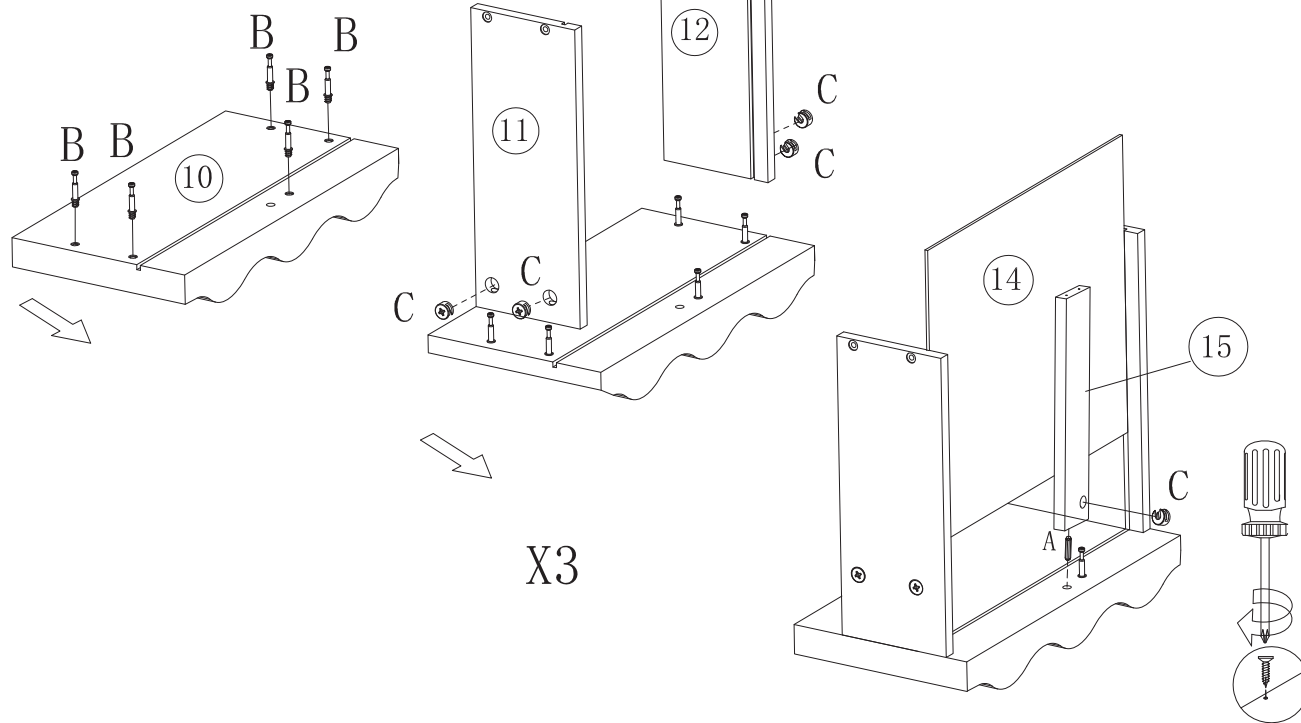
- | | | | |
|---|---|---|----|
| C | - |  | X4 |
| G | - |  | X2 |
| A | - |  | X6 |



STEP 11

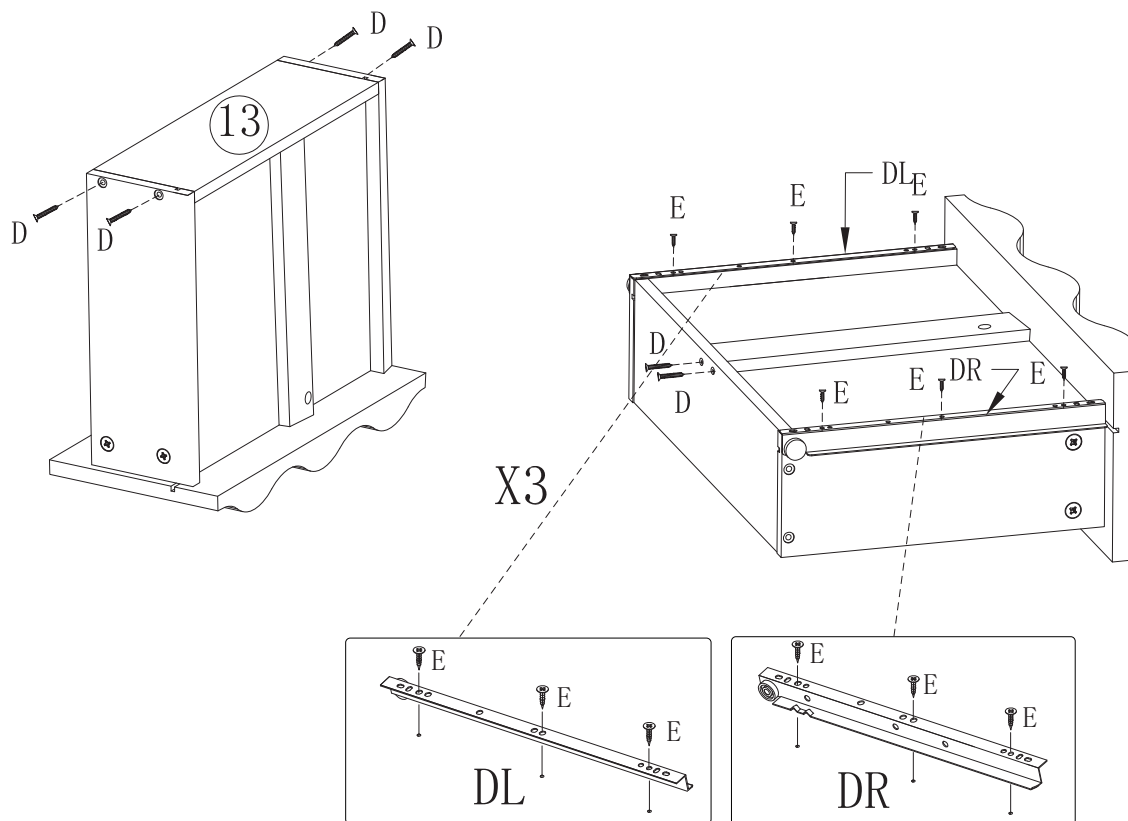


C	-	●	X15
B	-	✎	X15
A	-	⌘	X3

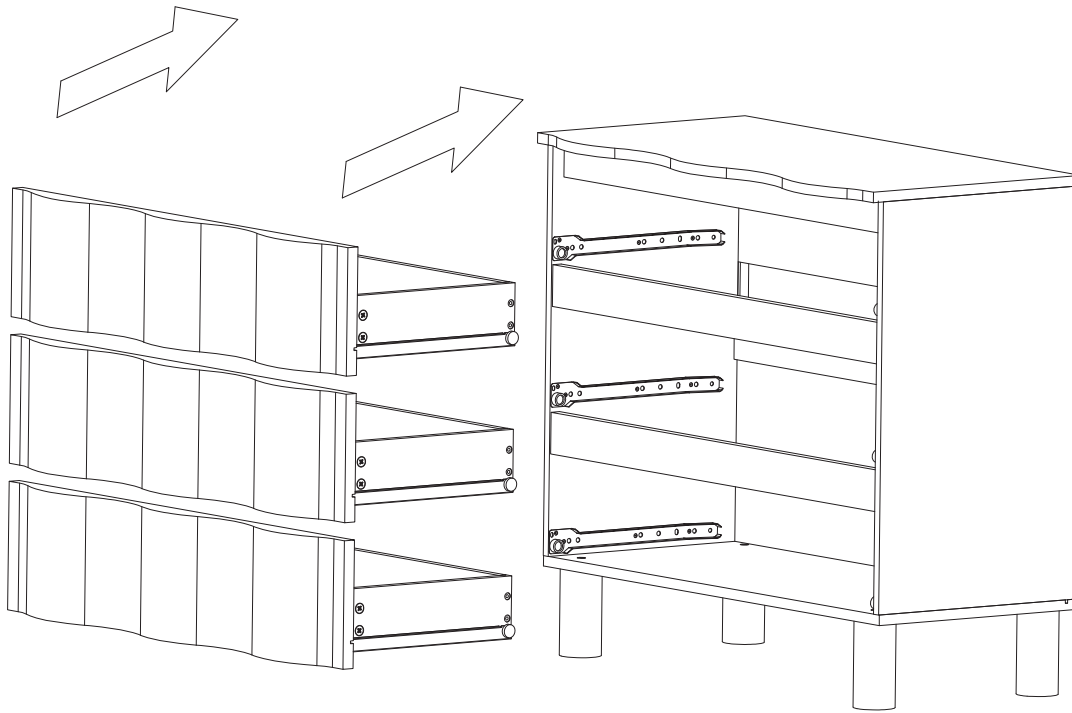


STEP 12

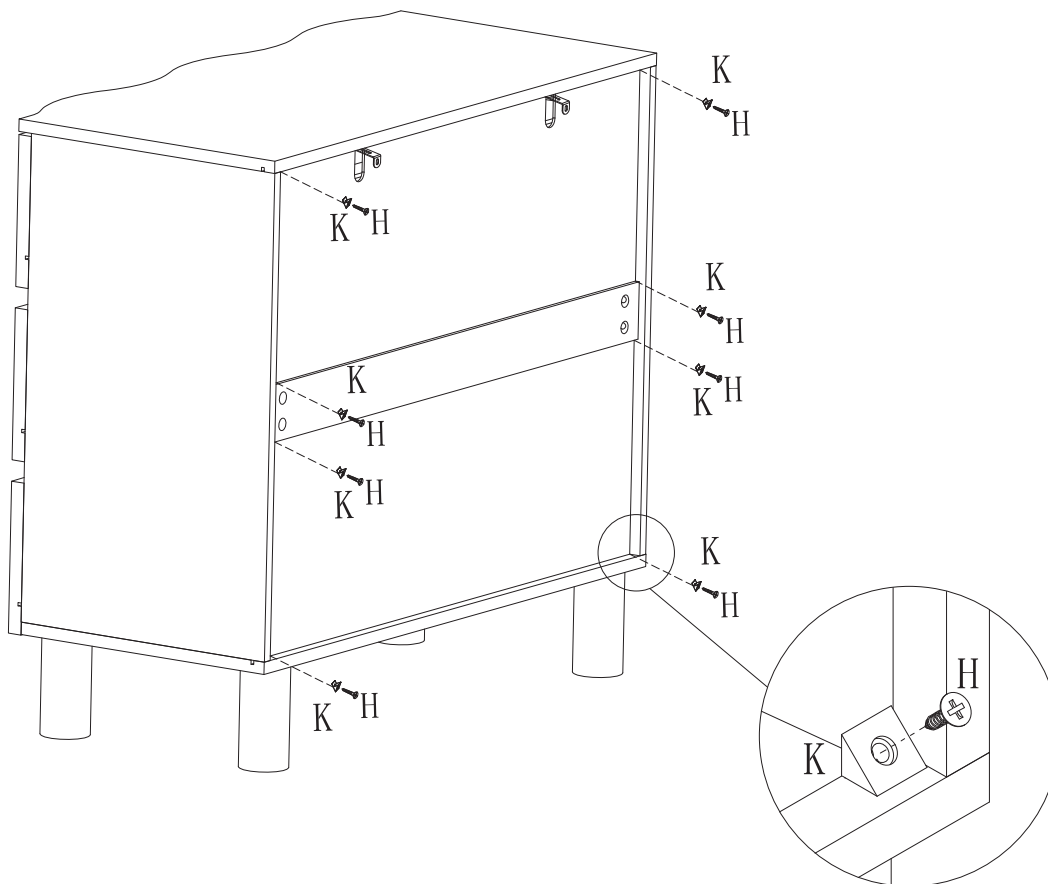
E	-	✎	X18
D	-	✎	X18
DR	-	⌘	X3
DL	-	⌘	X3



STEP 13

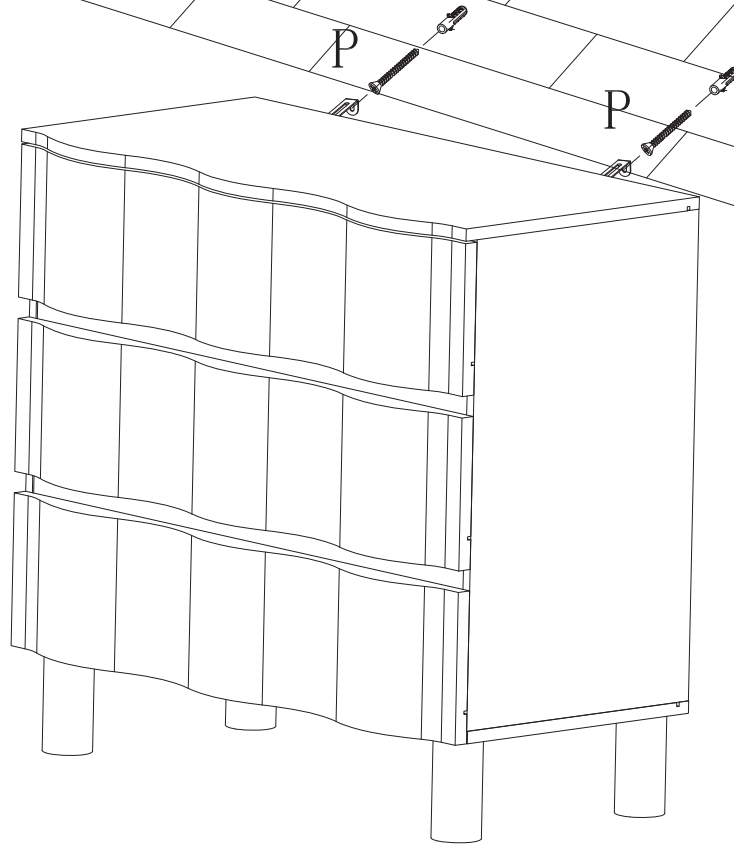



STEP 14



H - [screw icon] X8
K - [cam bolt icon] X8

STEP 15



P -  X2

TOPPLING FURNITURE WARNING:

- **ALWAYS secure it with an anchor device.**
- **Please seek professional advice if you are in doubt of what fixing device to use.**
- **Regularly check that anchors are securely maintained.**
- **Use safety drawer locks to prevent children climbing.**
- **Stability of tall items may be affected by thick pile carpet or uneven floors .**
- **Do not place unanchored televisions on furniture .**

CAUTION: for your safety when attaching the anchor fixings, please note the following:

- **Check any electrical wires or plumbing inside the wall before drilling any holes (if you are unsure please seek professional advice from a qualified tradesperson).**

▲ WARNING	
	
<p>Children have died from furniture tipover.</p> <ul style="list-style-type: none"> • ALWAYS secure it with an anchor device. • NEVER allow children to stand, climb or hang on drawers, doors, or shelves. • NEVER open more than one drawer at a time. • Place heavy items down low. • Furniture type is at risk of toppling over. 	
<p>NEVER put a TV on this furniture </p>	
<p>This is a permanent label. Do not remove!</p>	

 TOPPLING HAZARD	<p>WARNING: PLEASE SECURE YOUR FURNITURE WITH THE SUPPLIED WALL FIXING. SCAN THE CODE FOR MORE INFORMATION.</p>	
---	---	---