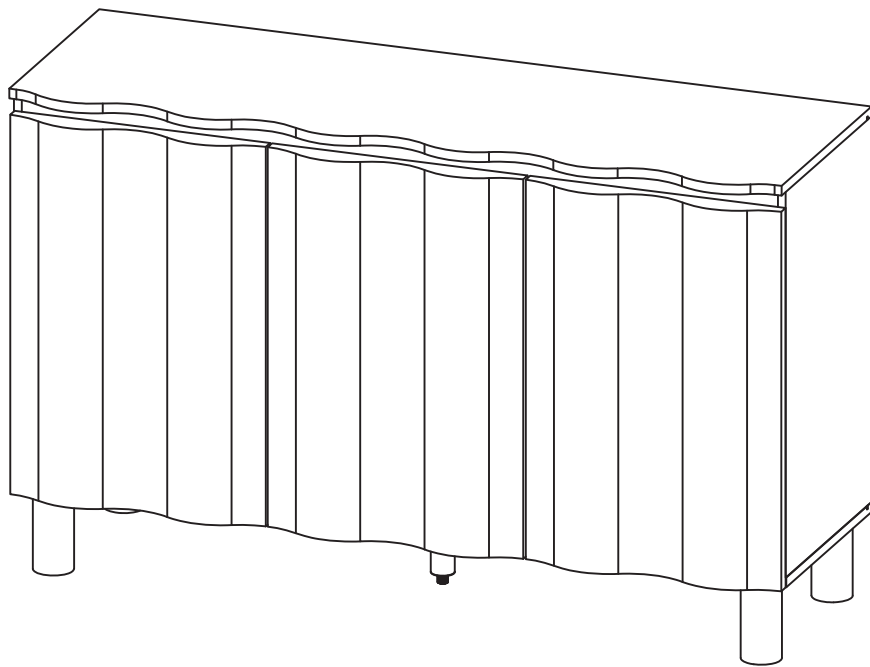


# Ripple 3 Door Sideboard

## Instruction Manual



The photos and illustrations shown in this instruction manual are generic.  
The manufacturer reserves the right to change any specification or feature without prior notice.

**IMPORTANT: KEEP FOR FUTURE REFERENCE. READ CAREFULLY.**

# Assembly Instructions

## 43709335/43711208 RIPPLE 3 DOOR SIDEBOARD

### **WARNING:**

TO BE ASSEMBLED ON A CLEAN, DRY AND SMOOTH SURFACE.

WIPE CLEAN WITH A SOFT DAMP CLOTH.

NEVER USE SCOURERS, ABRASIVES OR CHEMICAL SOLVENTS.

CHECK AND TIGHTEN ALL PARTS REGULARLY.

KEEP AWAY FROM MOISTURE AND DIRECT SUNLIGHT.

STORE IN A DRY PLACE.

FOR INDOOR AND DOMESTIC USE ONLY.

### **CARE INSTRUCTIONS:**

DO NOT STAND, SIT OR LEAN ON THIS UNIT.

DO NOT USE THIS UNIT AS A STEP LADDER OR AS A CHOPPING SURFACE.

KEEP AWAY FROM CHILDREN AND BABIES.

ADULT ASSEMBLY REQUIRED.











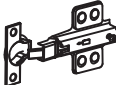
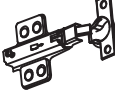




USE ONLY ON A FLAT SURFACE.

DO NOT USE THIS UNIT UNLESS ALL BOLTS AND SCREWS ARE FIRMLY SECURED.

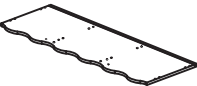
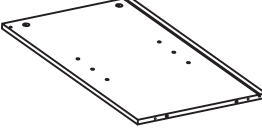
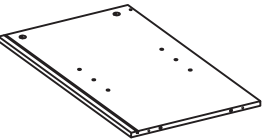

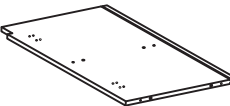
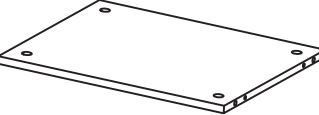


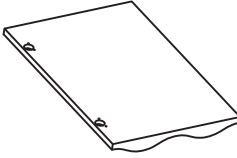
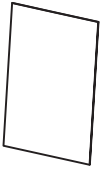




### **MAXIMUM SAFE LOAD:**

**25KG FOR TOP PANEL, 5KG FOR EACH SHELF.**

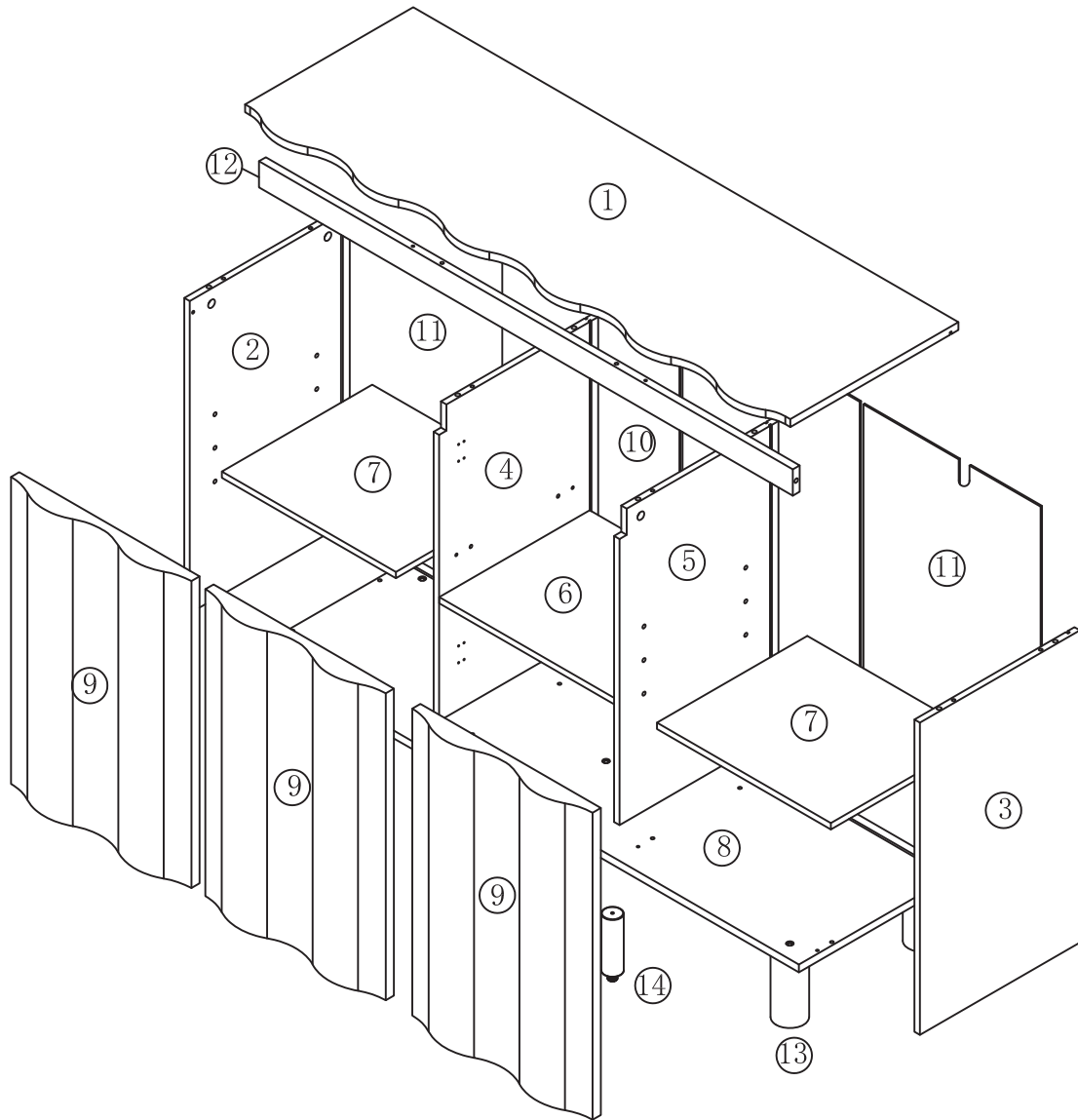
# 1 Hardware List

A		6X30mm	22	B		6X35mm	14	C		15X10mm	14	D		4X35mm	8
E		4X12mm	36	F		M7X50mm	5	G		4X35mm	2	H		3X15mm	12
I			8	K			12	L			4	M			2
O			2	P			2	Q		50mm	4				1



# 2 Parts List

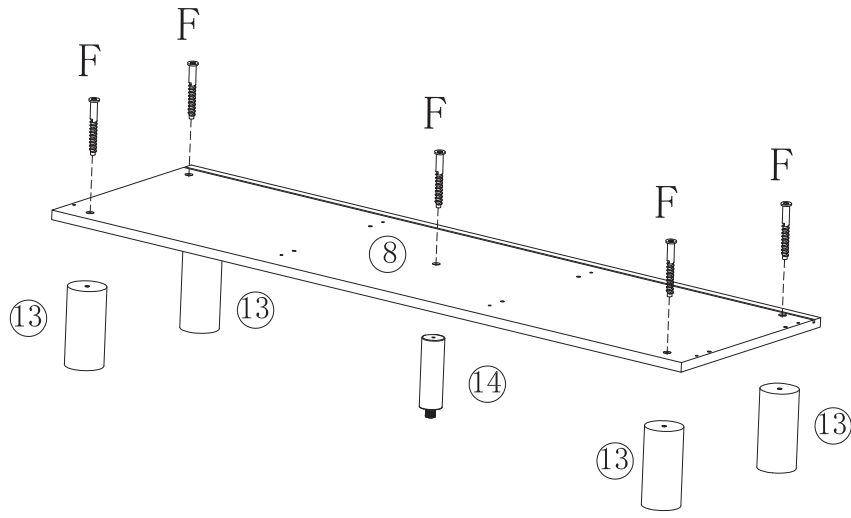
① /1PC	② /1PC	③ /1PC	④ /1PC
			
⑤ /1PC	⑥ /1PC	⑦ /2PCS	⑧ /1PC
			
⑨ /3PCS	⑩ /1PC	⑪ /2PCS	⑫ /1PC
			
⑬ /4PCS	⑭ /1PC		
			

# PANEL LAYOUT




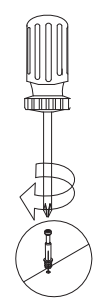
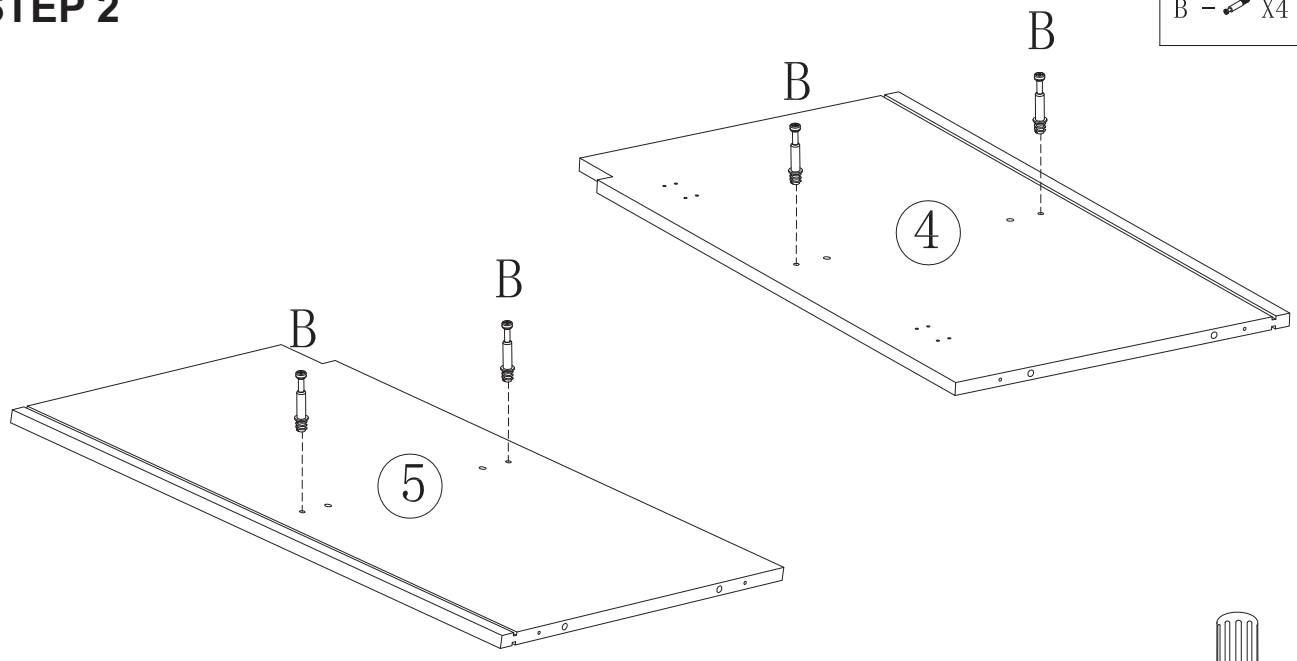
# STEP 1

F	-		X5
			X1



# STEP 2

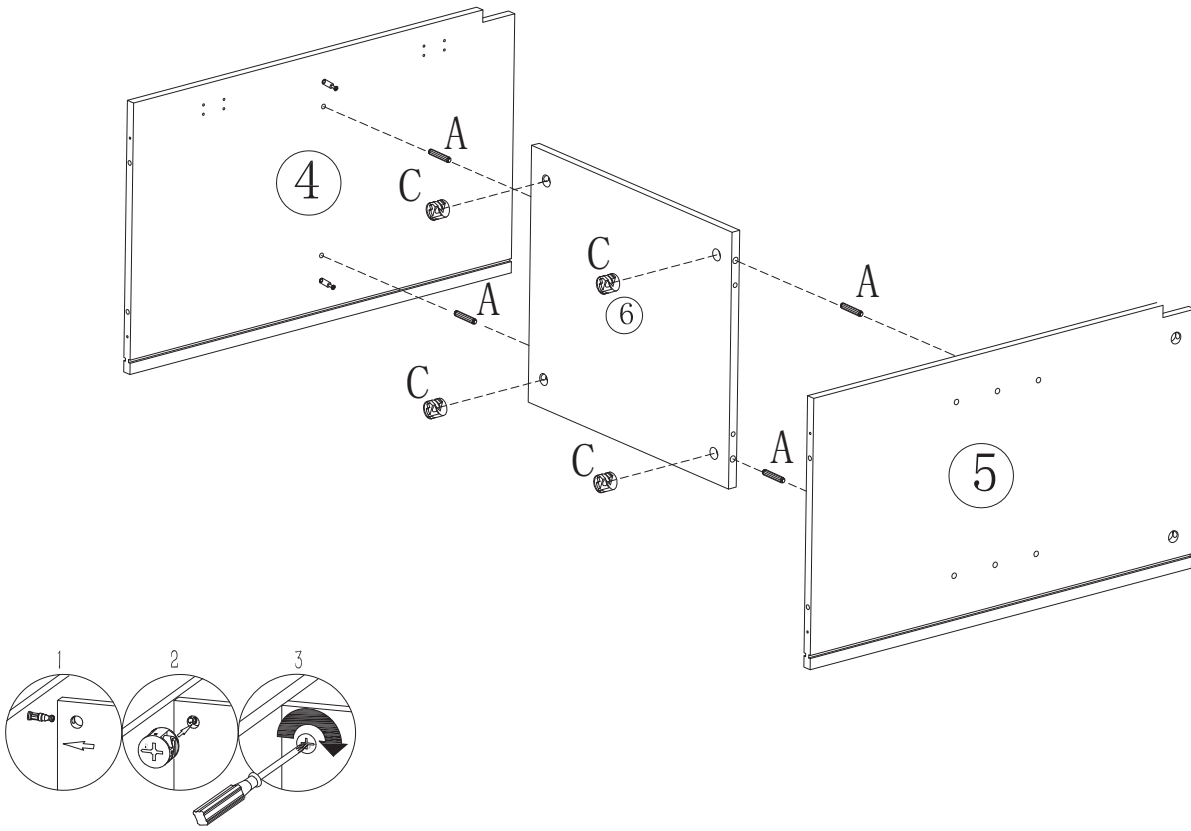
B	-		X4
---	---	---	----



### STEP 3

C -  X4

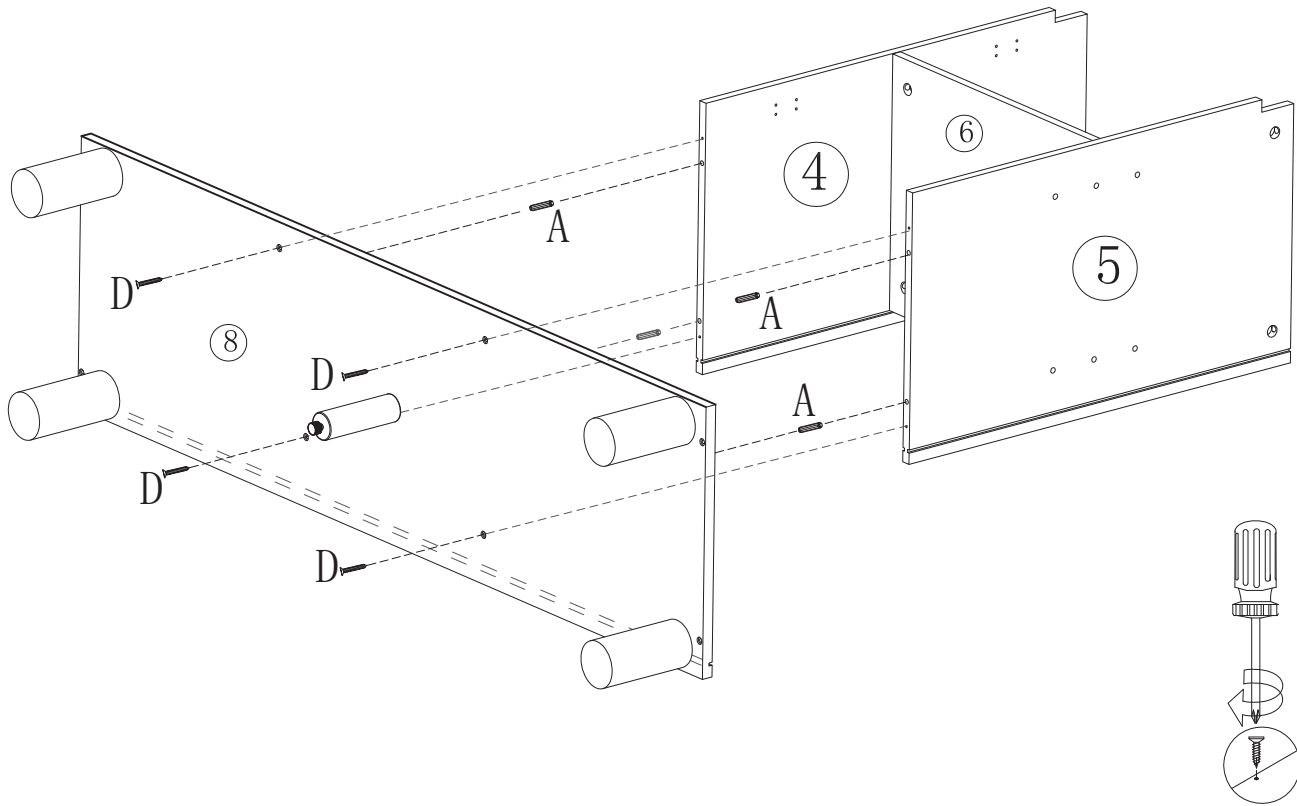
A -  X4




### STEP 4

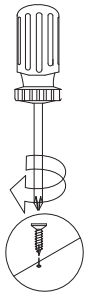
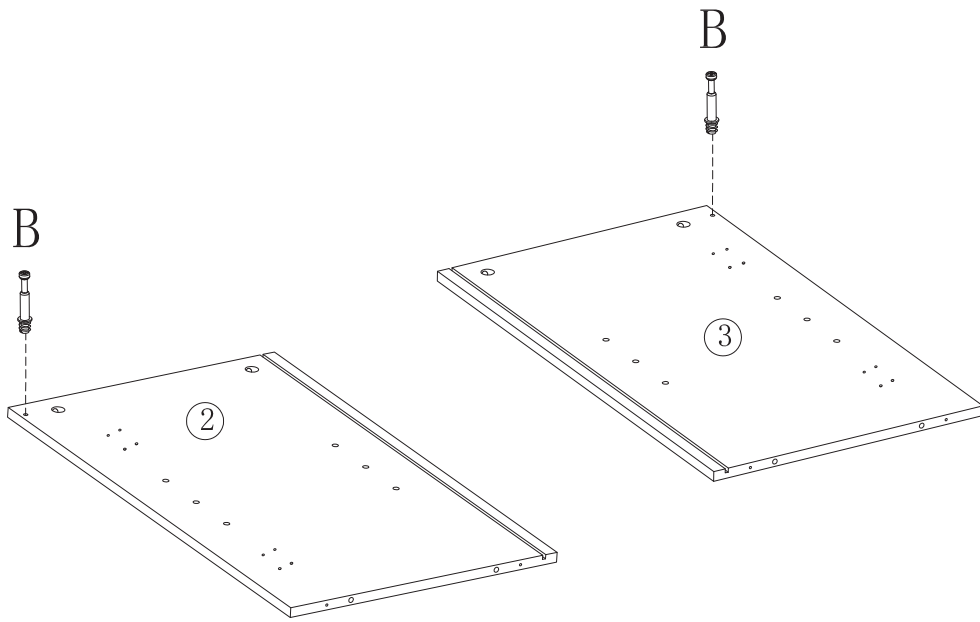
A -  X4

D -  X4




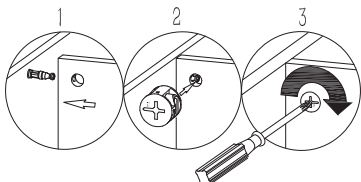
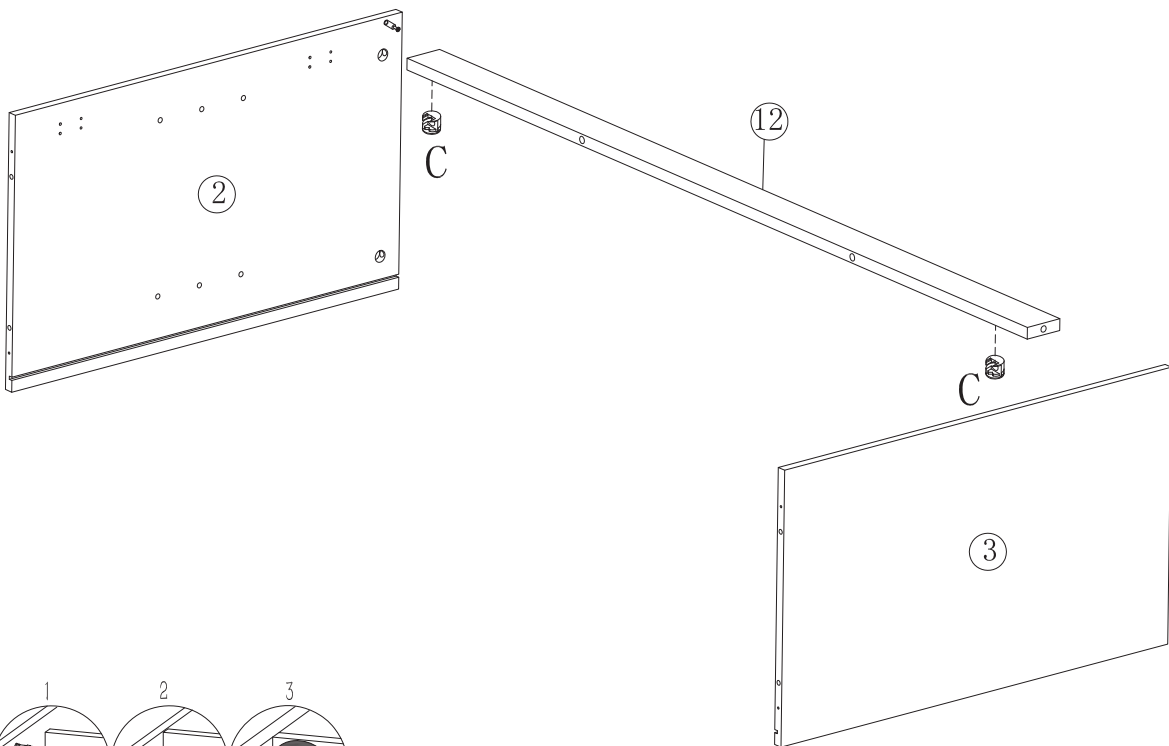
# STEP 5

B -  X2



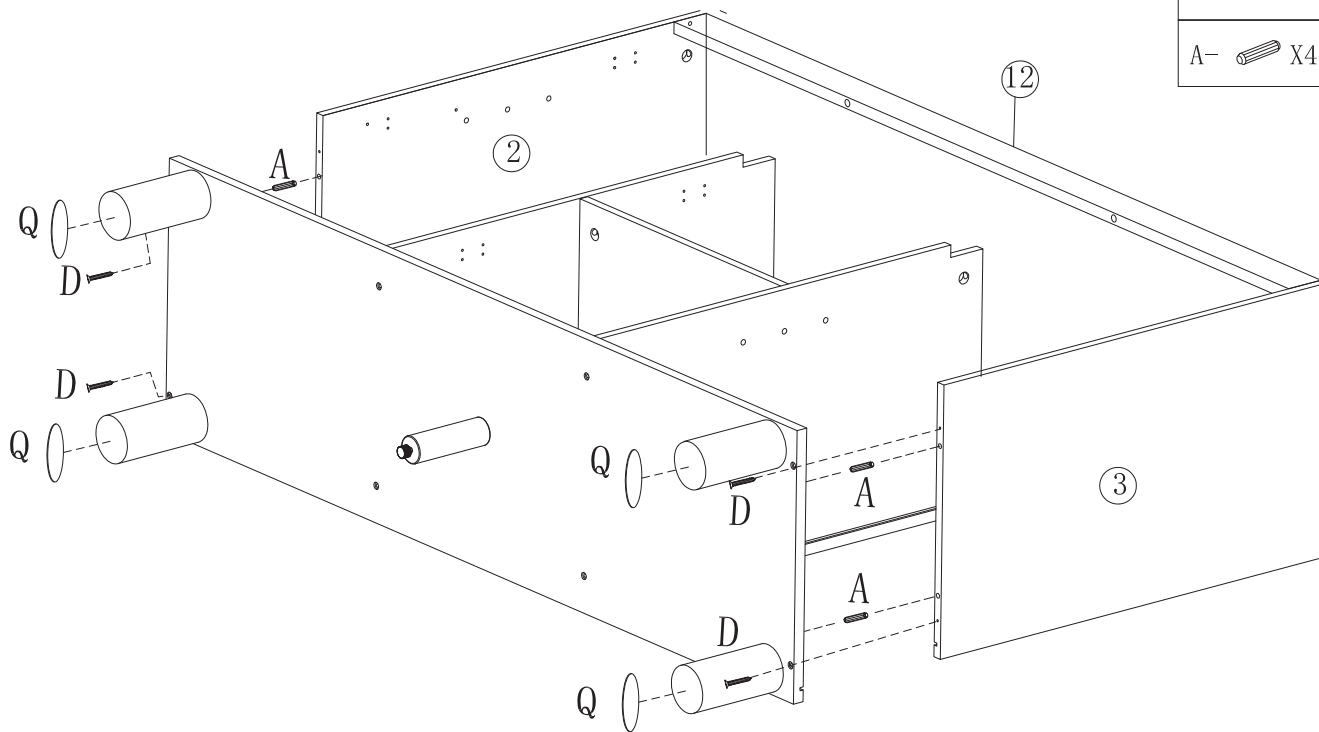
# STEP 6

C -  X2

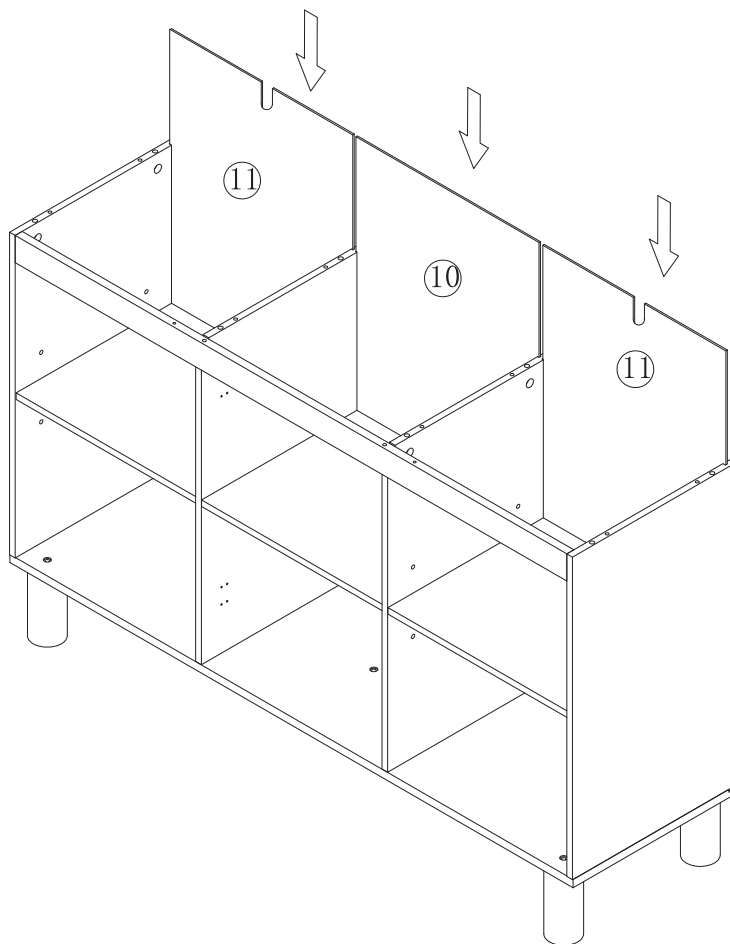


# STEP 7



Q -	4
D -	X4
A -	X4

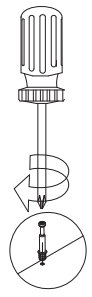
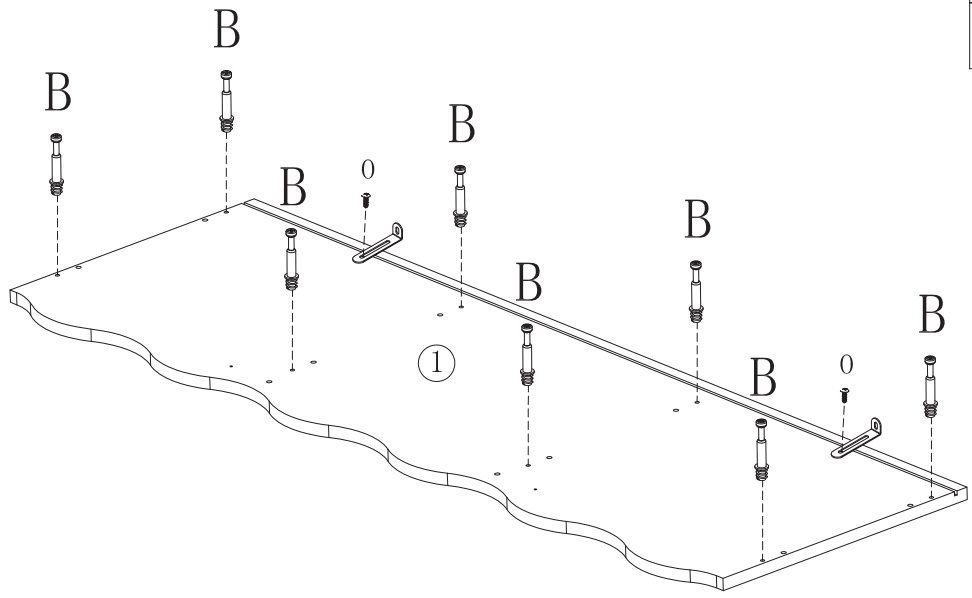


# STEP 8




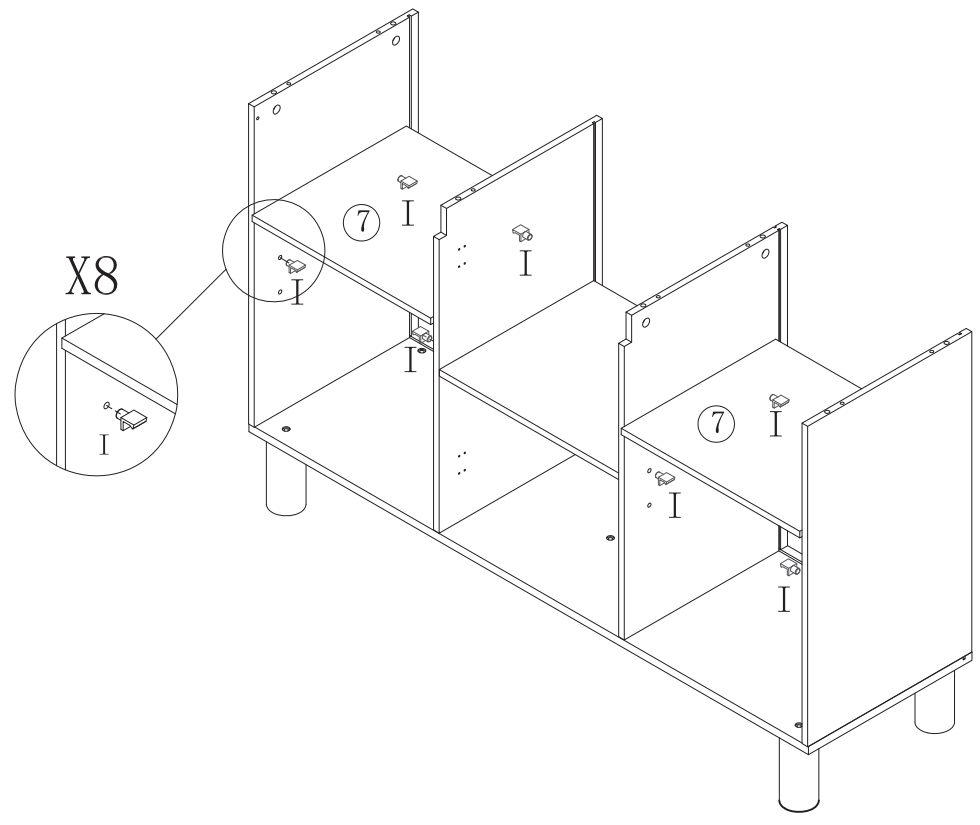
# STEP 9

B -  X8  
O -  X2

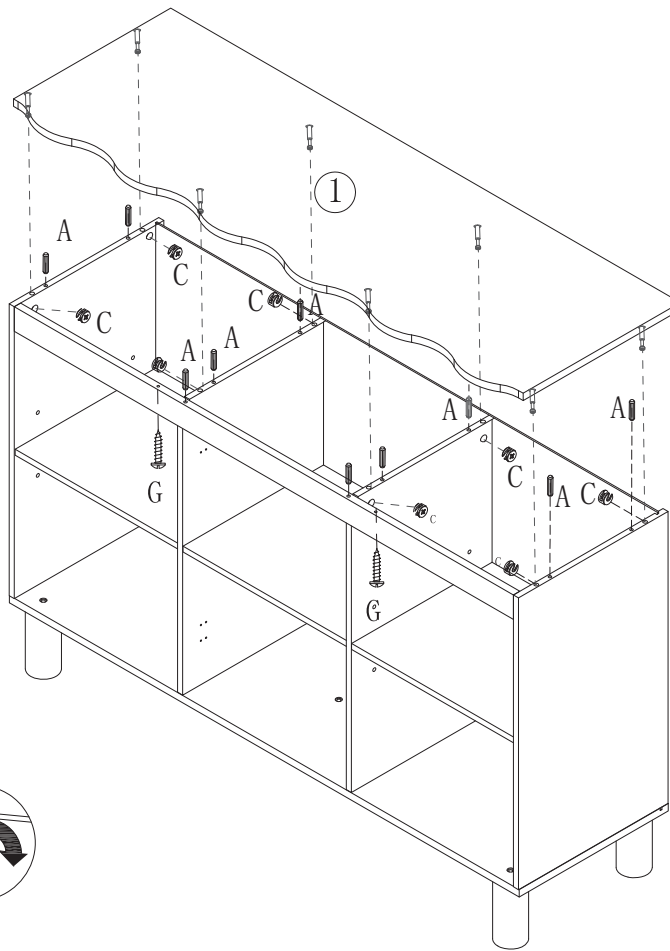





# STEP 10

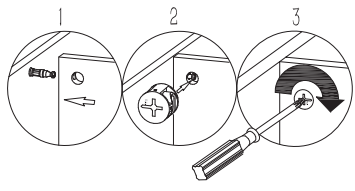
I -  X8



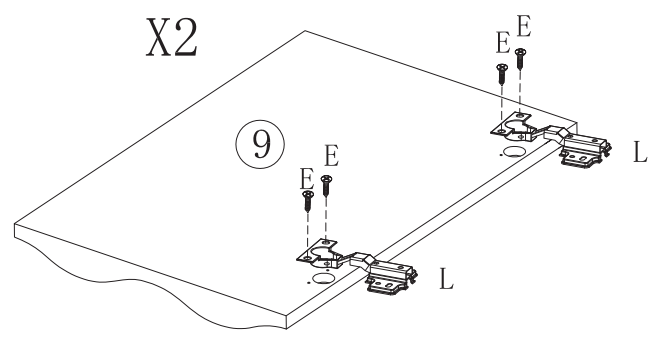
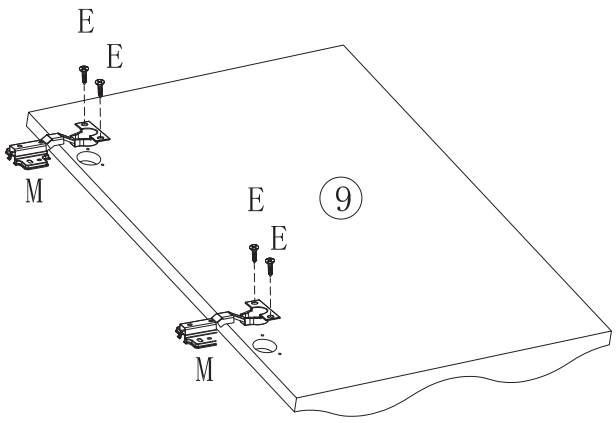
# STEP 11


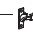



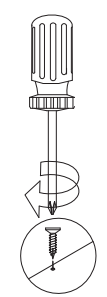
- C -  X8
- A -  X10
- G -  X2



# STEP 12

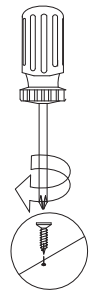
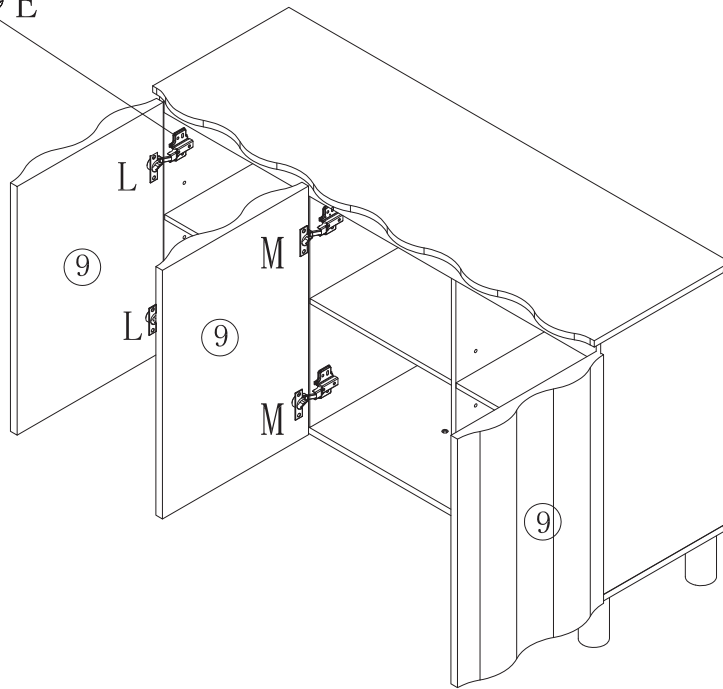
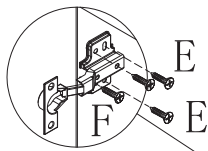


- E -  X12
- L -  X4
- M -  X2



# STEP 13

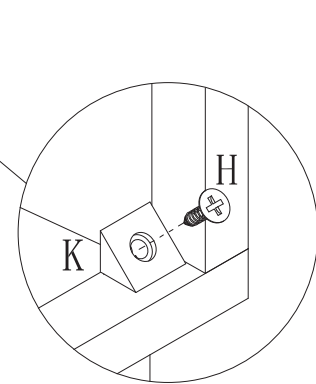
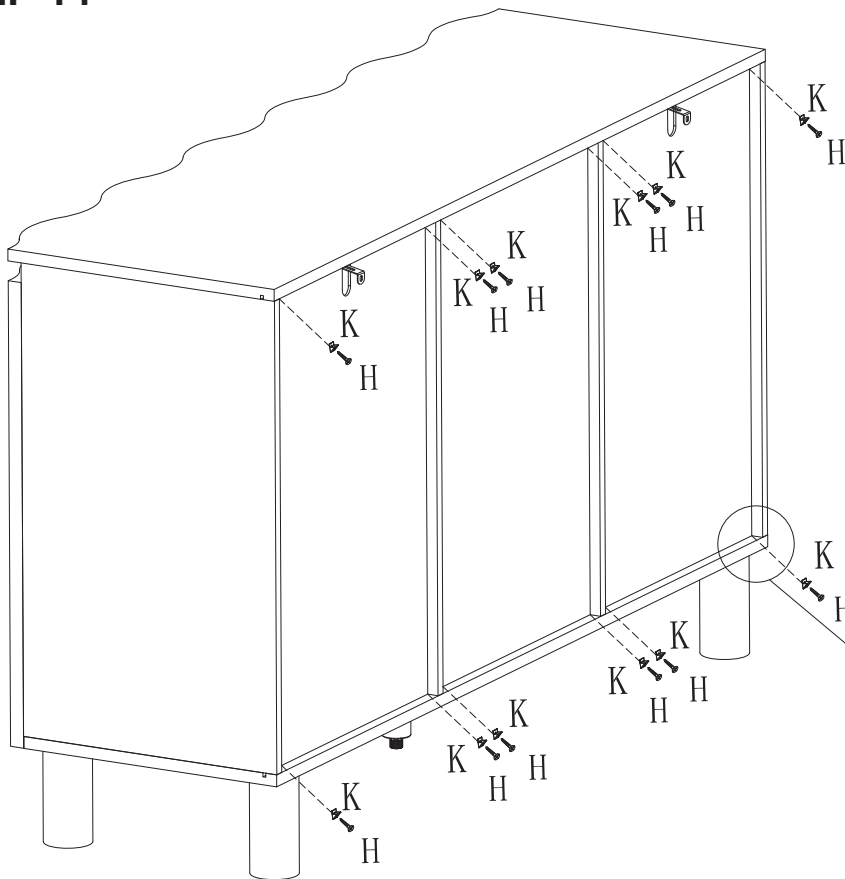
E - X24



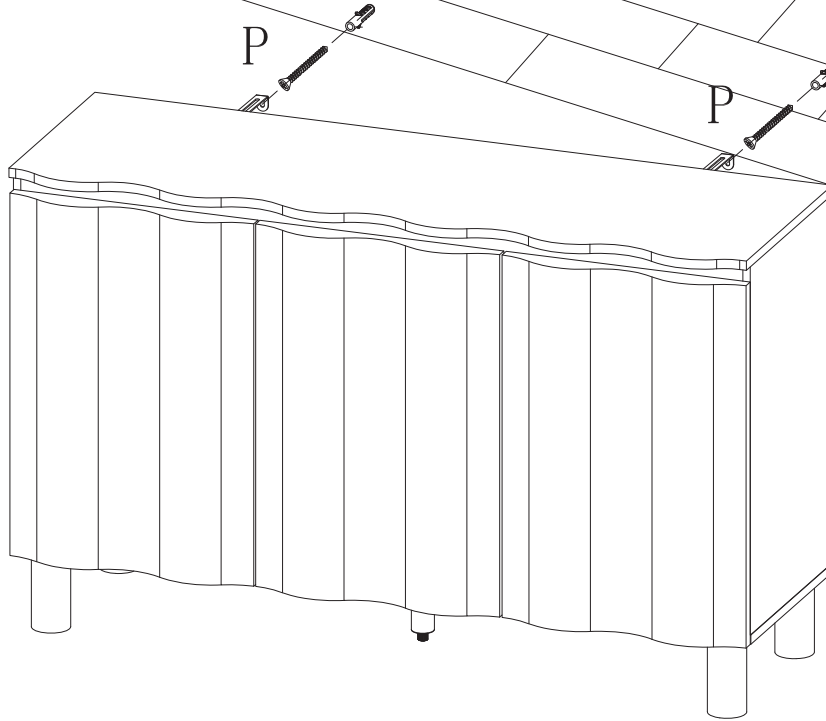
# STEP 14


H - X12

K - X12



# STEP 15



P -  X2

### TOPPLING FURNITURE WARNING:

- **ALWAYS secure it with an anchor device.**
- **Please seek professional advice if you are in doubt of what fixing device to use.**
- **Regularly check that anchors are securely maintained.**
- **Use safety drawer locks to prevent children climbing.**
- **Stability of tall items may be affected by thick pile carpet or uneven floors .**
- **Do not place unanchored televisions on furniture .**

**CAUTION:** for your safety when attaching the anchor fixings, please note the following:

- **Check any electrical wires or plumbing inside the wall before drilling any holes (if you are unsure please seek professional advice from a qualified tradesperson).**

<b>▲ WARNING</b>	
	
<p><b>Children have died from furniture tipover.</b></p> <ul style="list-style-type: none"> <li>• ALWAYS secure it with an anchor device.</li> <li>• NEVER allow children to stand, climb or hang on drawers, doors, or shelves.</li> <li>• NEVER open more than one drawer at a time.</li> <li>• Place heavy items down low.</li> <li>• Furniture type is at risk of toppling over.</li> </ul>	
<p>NEVER put a TV on this furniture </p>	
<p>This is a permanent label. Do not remove!</p>	



WARNING: PLEASE SECURE YOUR FURNITURE WITH THE SUPPLIED WALL FIXING. SCAN THE CODE FOR MORE INFORMATION.

