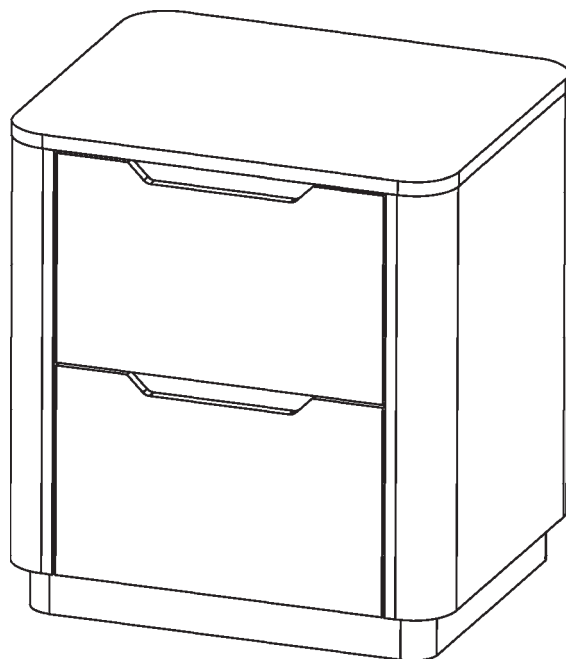


Miles 2 Drawer Bedside Table Instruction Manual



The photos and illustrations shown in this instruction manual are generic.
The manufacturer reserves the right to change any specification or feature without prior notice.

IMPORTANT: KEEP FOR FUTURE REFERENCE. READ CAREFULLY.

Assembly Instructions

K:43709243 | T:72434017/ MILES 2 DRAWER BEDSIDE TABLE OAK
K:43709304 | T:72431726/ MILES 2 DRAWER BEDSIDE TABLE WALNUT

WARNING:

DO NOT STAND, SIT OR LEAN ON THIS UNIT.

DO NOT USE THIS UNIT AS A STEP LADDER OR AS A CHOPPING SURFACE.

KEEP AWAY FROM CHILDREN AND BABIES.

ADULT ASSEMBLY REQUIRED.

USE ONLY ON A FLAT SURFACE.

DO NOT USE THIS UNIT UNLESS ALL BOLTS AND SCREWS ARE FIRMLY
SECURED.

CARE INSTRUCTIONS:

TO BE ASSEMBLED ON A CLEAN, DRY AND SMOOTH SURFACE.

WIPE CLEAN WITH A SOFT DAMP CLOTH.

NEVER USE SCOURERS, ABRASIVES OR CHEMICAL SOLVENTS.

CHECK AND TIGHTEN ALL PARTS REGULARLY.

KEEP AWAY FROM MOISTURE AND DIRECT SUNLIGHT.

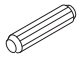
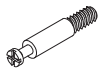

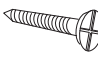
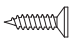


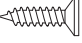

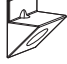


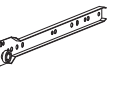
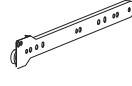
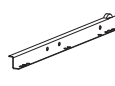
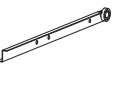

STORE IN A DRY PLACE.

FOR INDOOR AND DOMESTIC USE ONLY.

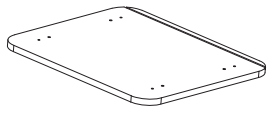
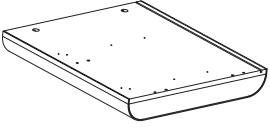
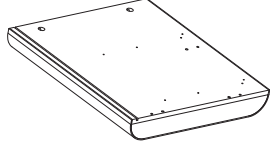
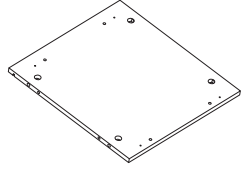
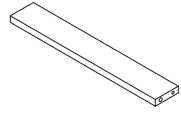
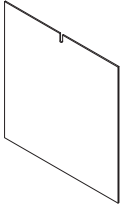
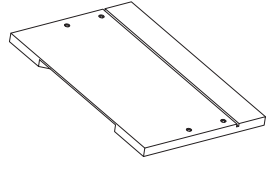
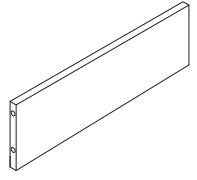
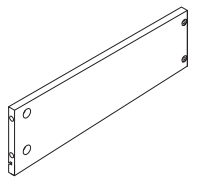
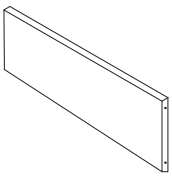
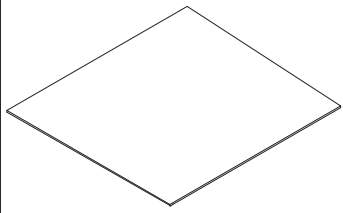
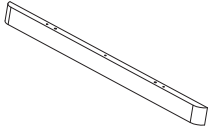
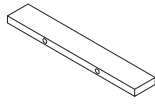
MAXIMUM SAFE LOAD:

10KG FOR TOP PANEL, 5KG FOR DRAWER.

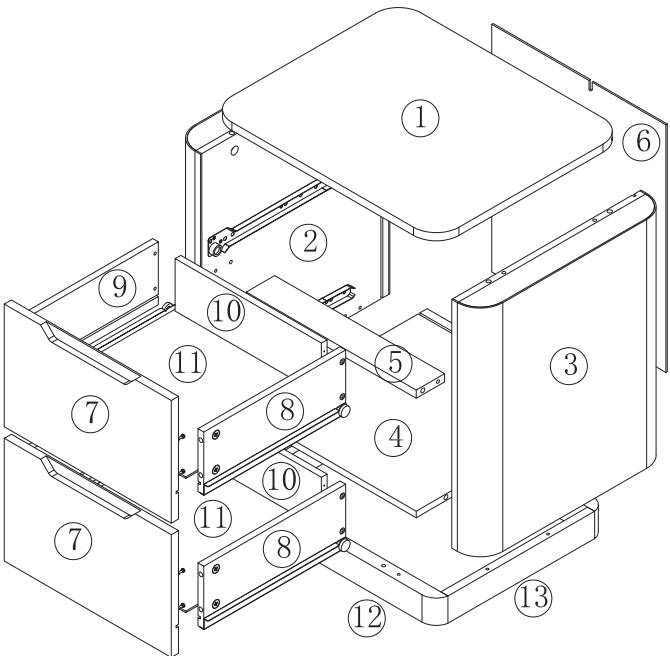
1 Hardware List

A		6X30mm	14	B		6X35mm	18	C		15X10mm	18	D		4X35mm	8
E		3X12mm	28	F		4X35mm	8	G		4X12mm	8	H		3X15mm	4
I			4	K			4	O			1	P			1
CL			2	CR			2	DL			2	DR			2
Q		25mm	4												

2 Parts List

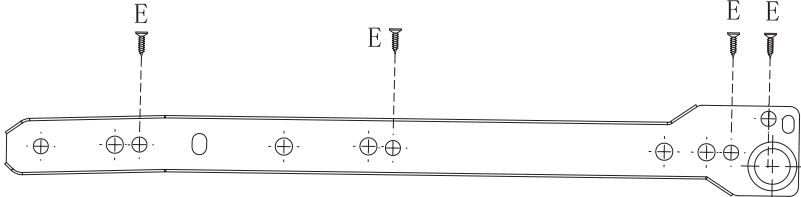
① /1PC	② /1PC	③ /1PC	④ /1PC
			
⑤ /1PC	⑥ /1PC	⑦ /2PCS	⑧ /2PCS
			
⑨ /2PCS	⑩ /2PCS	⑪ /2PCS	⑫ /2PCS
			
⑬ /2PCS			
			

PANEL LAYOUT

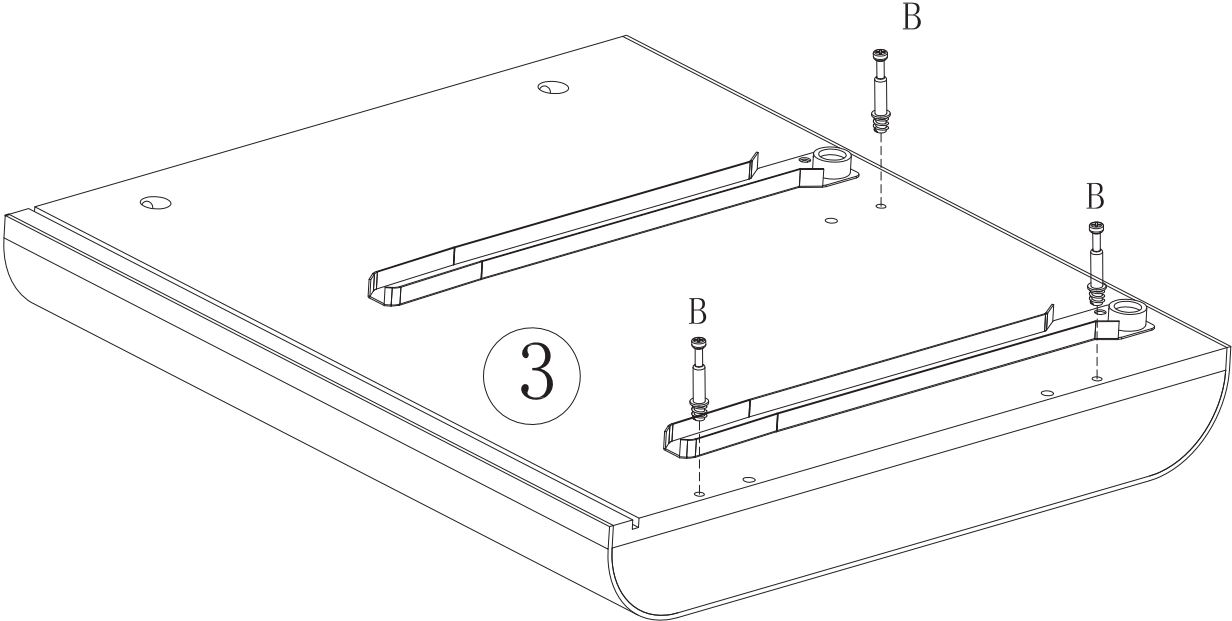


STEP 1

CRx2






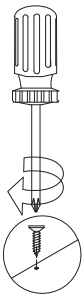
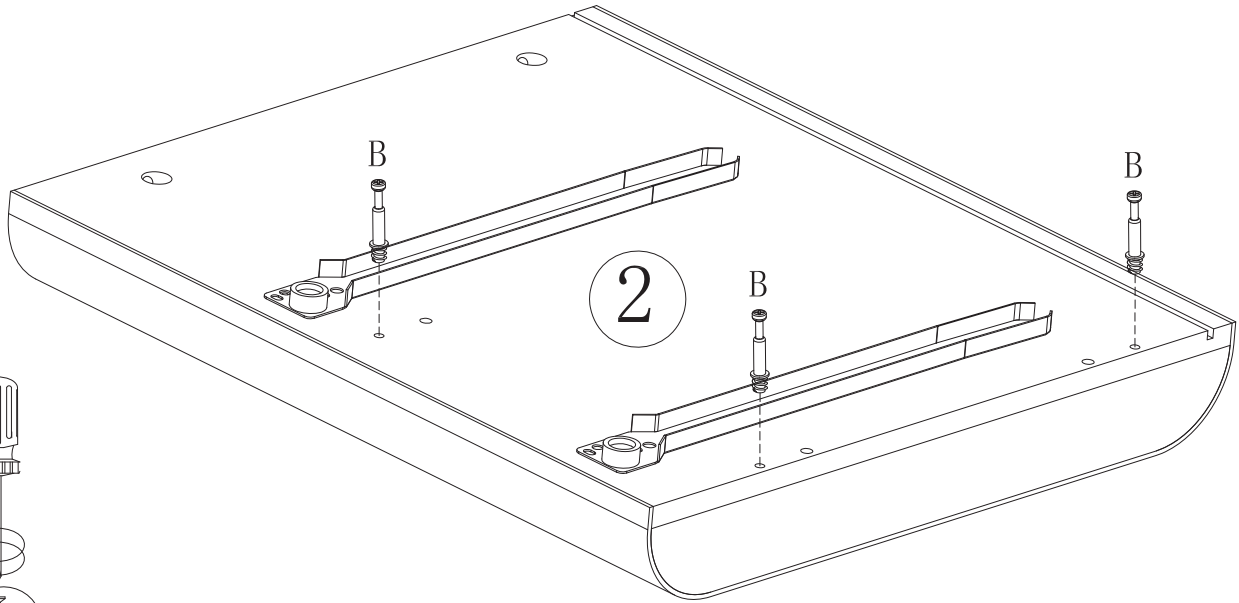
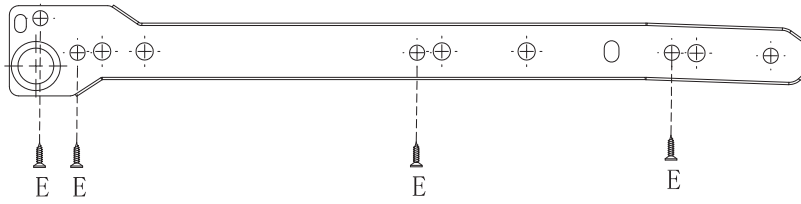
- B - X3
- E - X8
- CR - X2





STEP 2

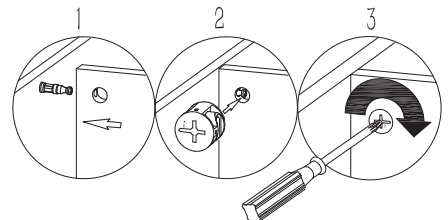
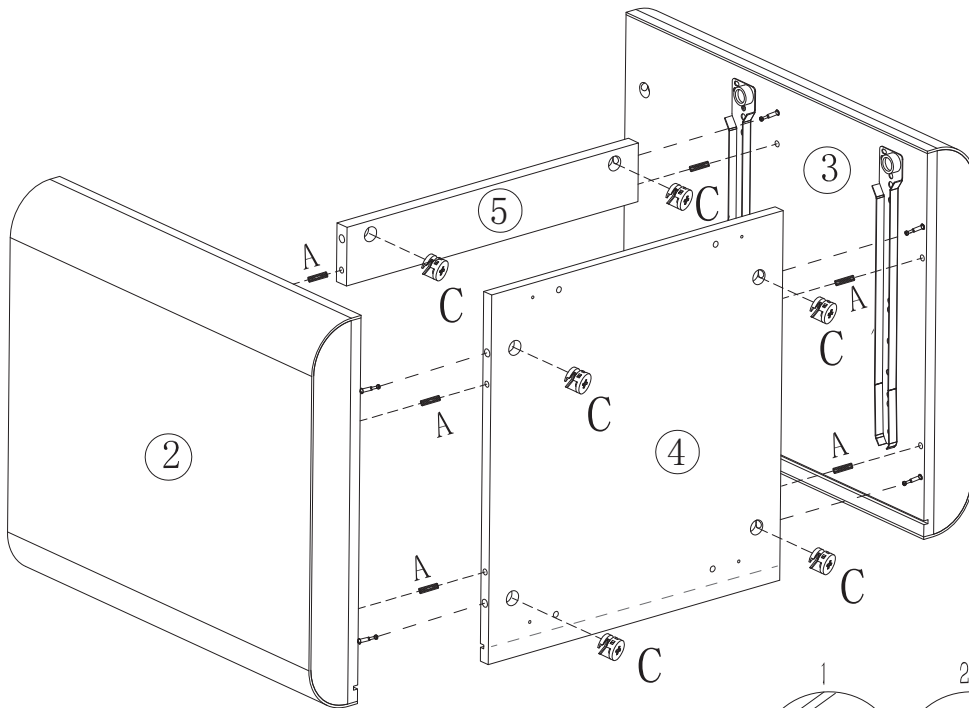
CLx2

- B -  X3
- E -  X8
- CL -  X2

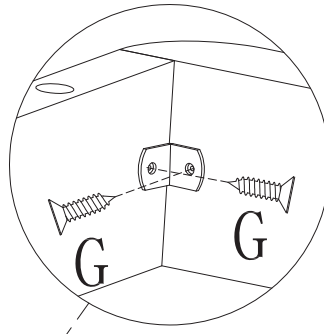
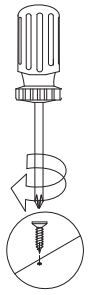


STEP 3




- C -  X6
- A -  X6

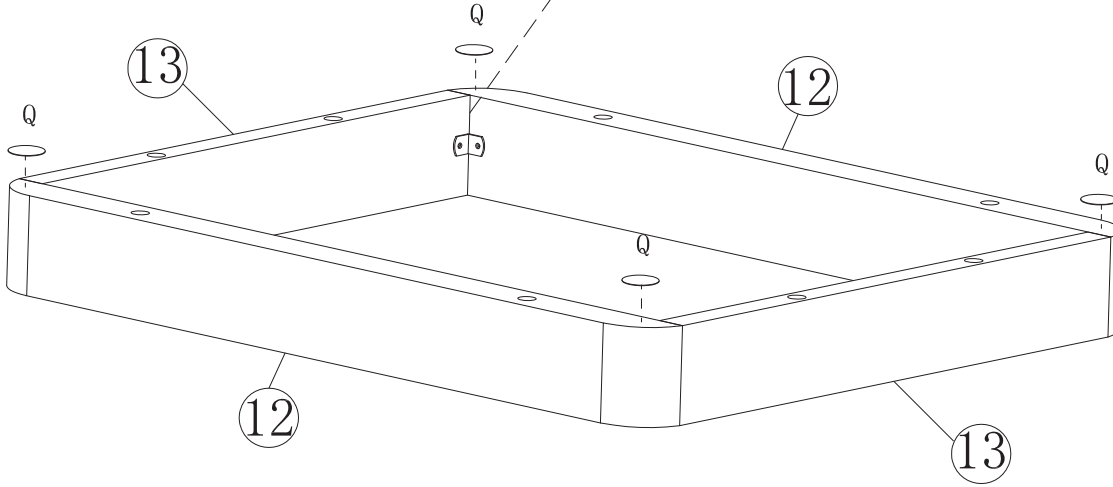


STEP 4

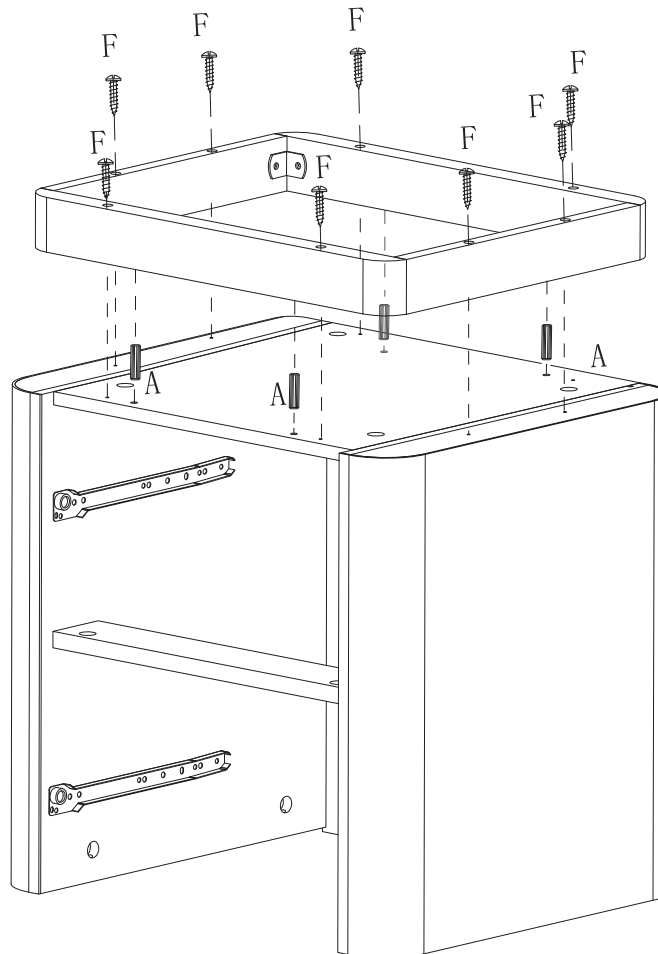




X4

G -		X8
I -		X4
Q -		4





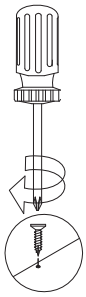
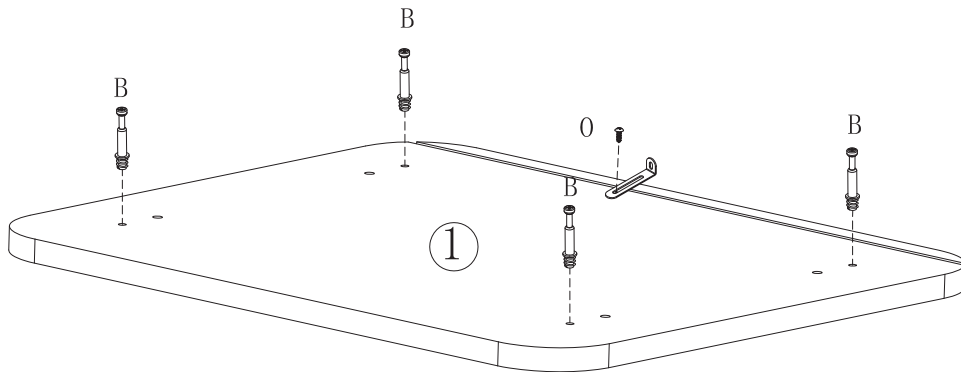
STEP 5



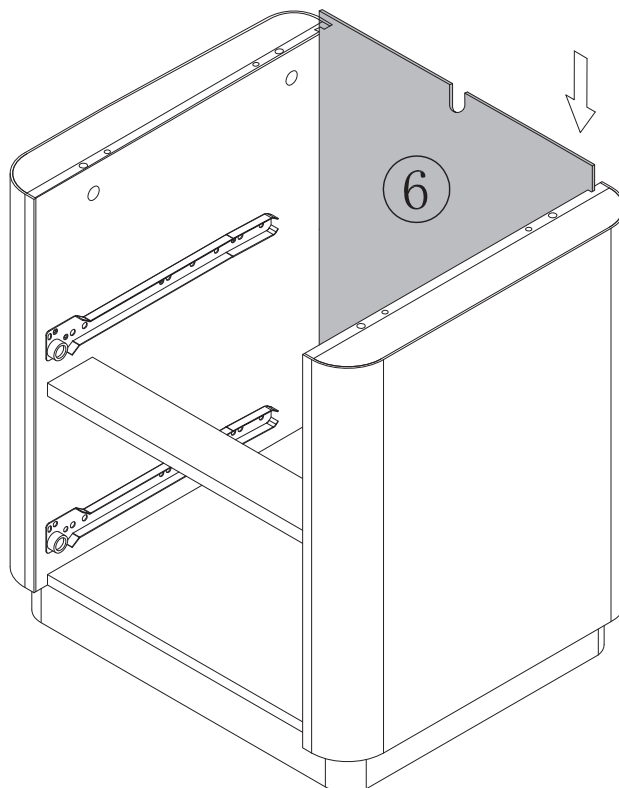
F -		X8
A -		X4

STEP 6



B -		X4
O -		X1

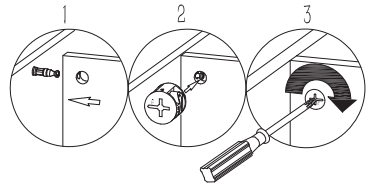
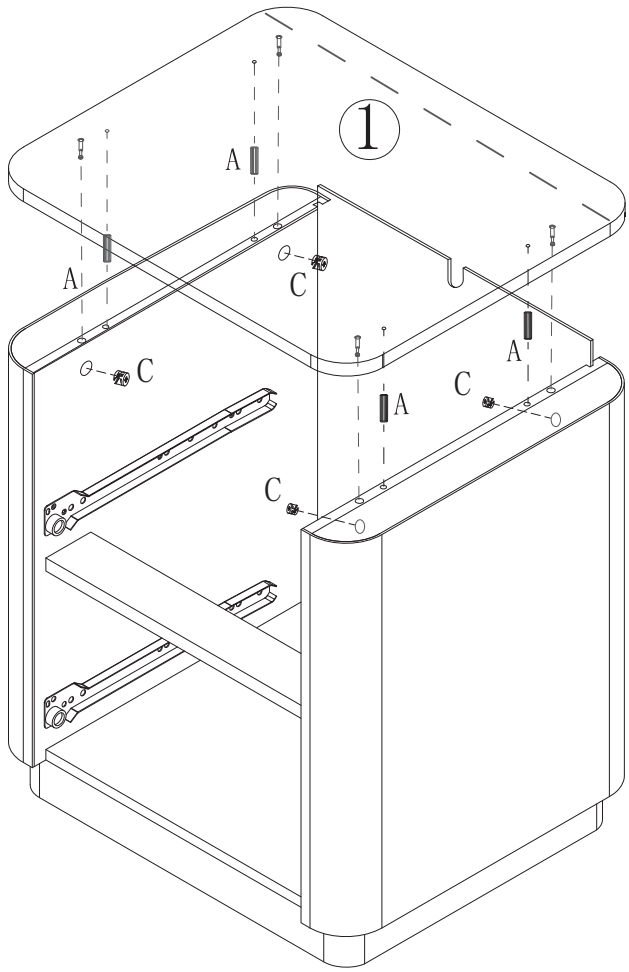


STEP 7





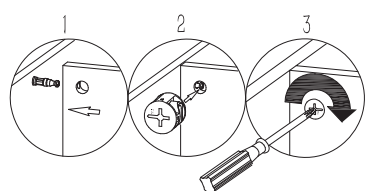
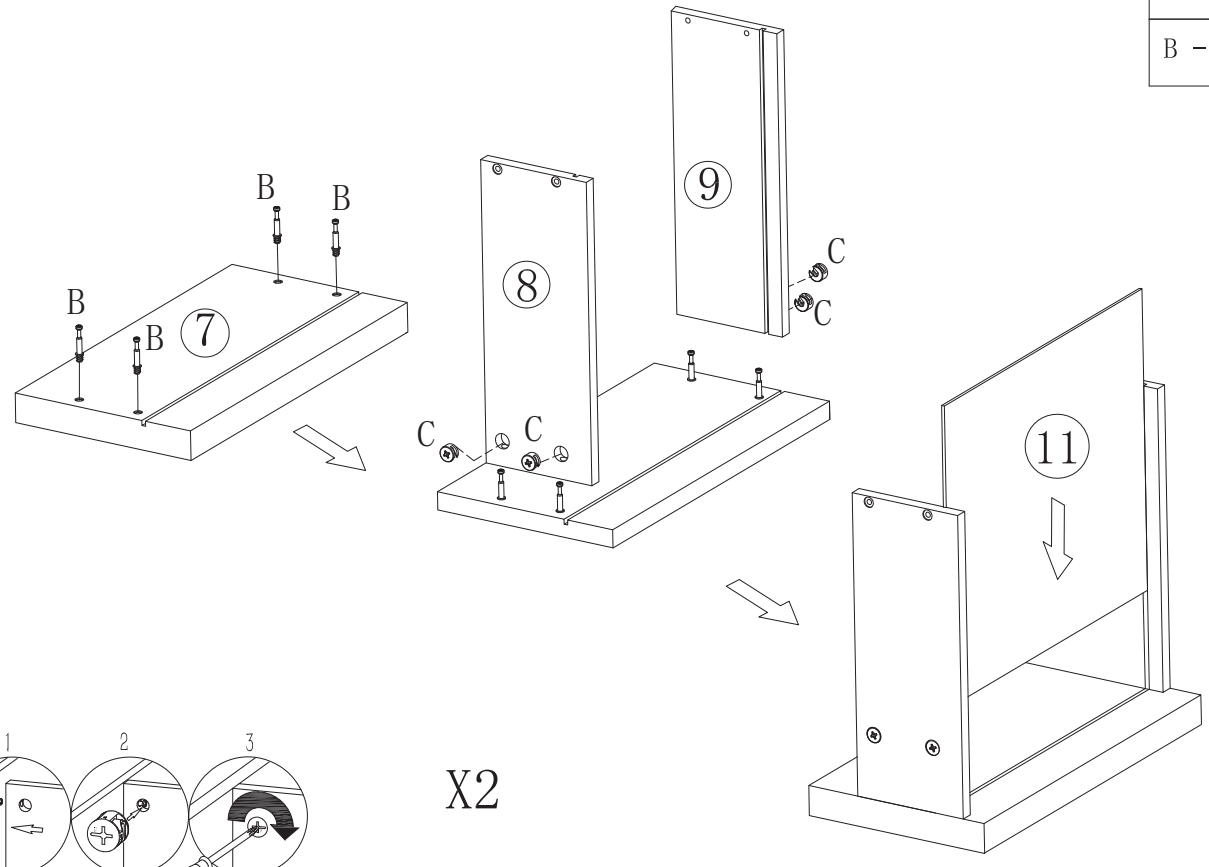
STEP 8

- C -  X4
- A -  X4

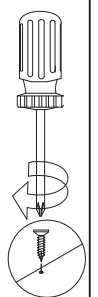


STEP 9

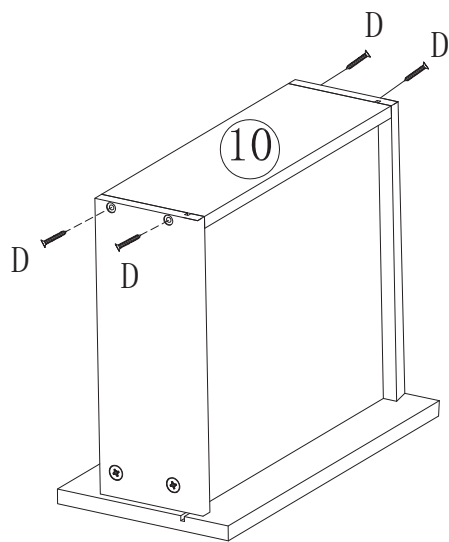
- C -  X8
- B -  X8



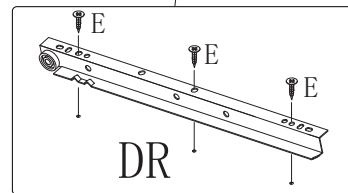
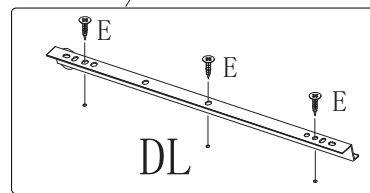
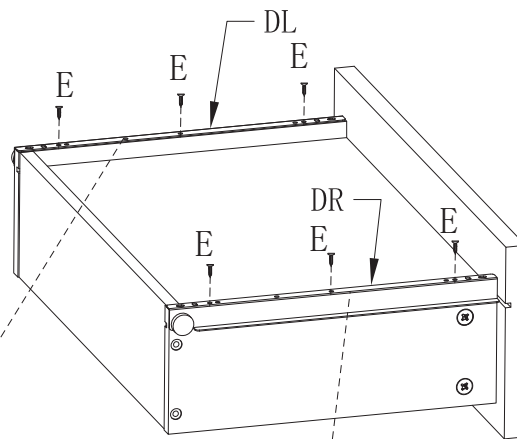
X2







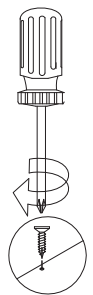
STEP 10



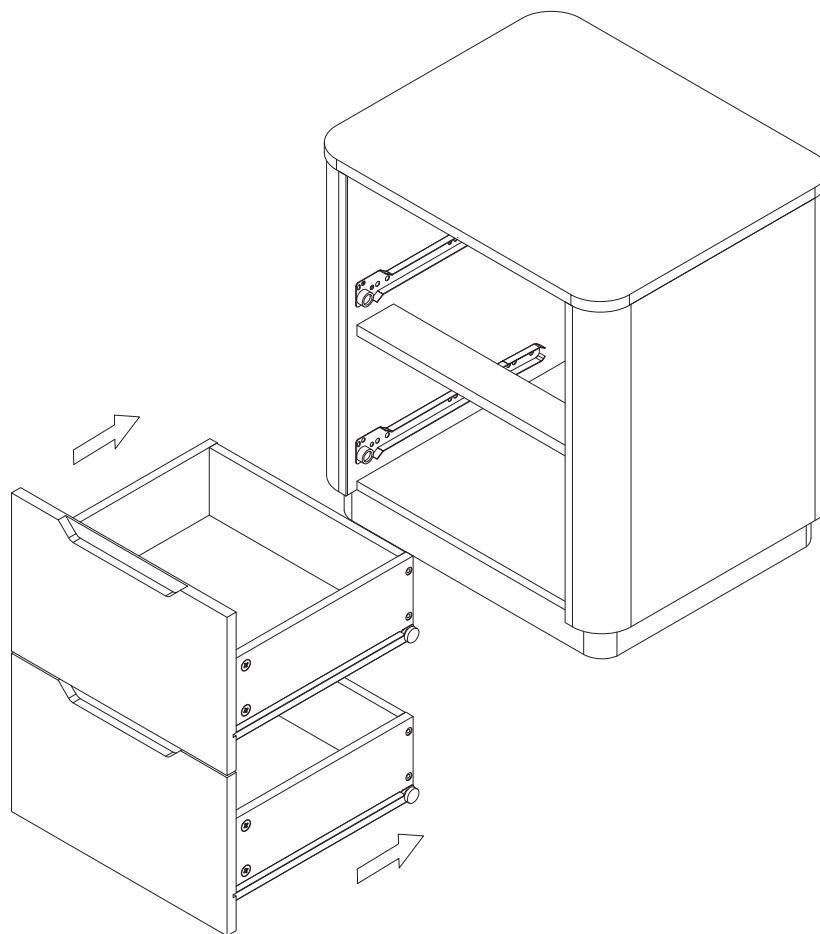
X2



- E -  X12
- D -  X8
- DR -  X2
- DL -  X2




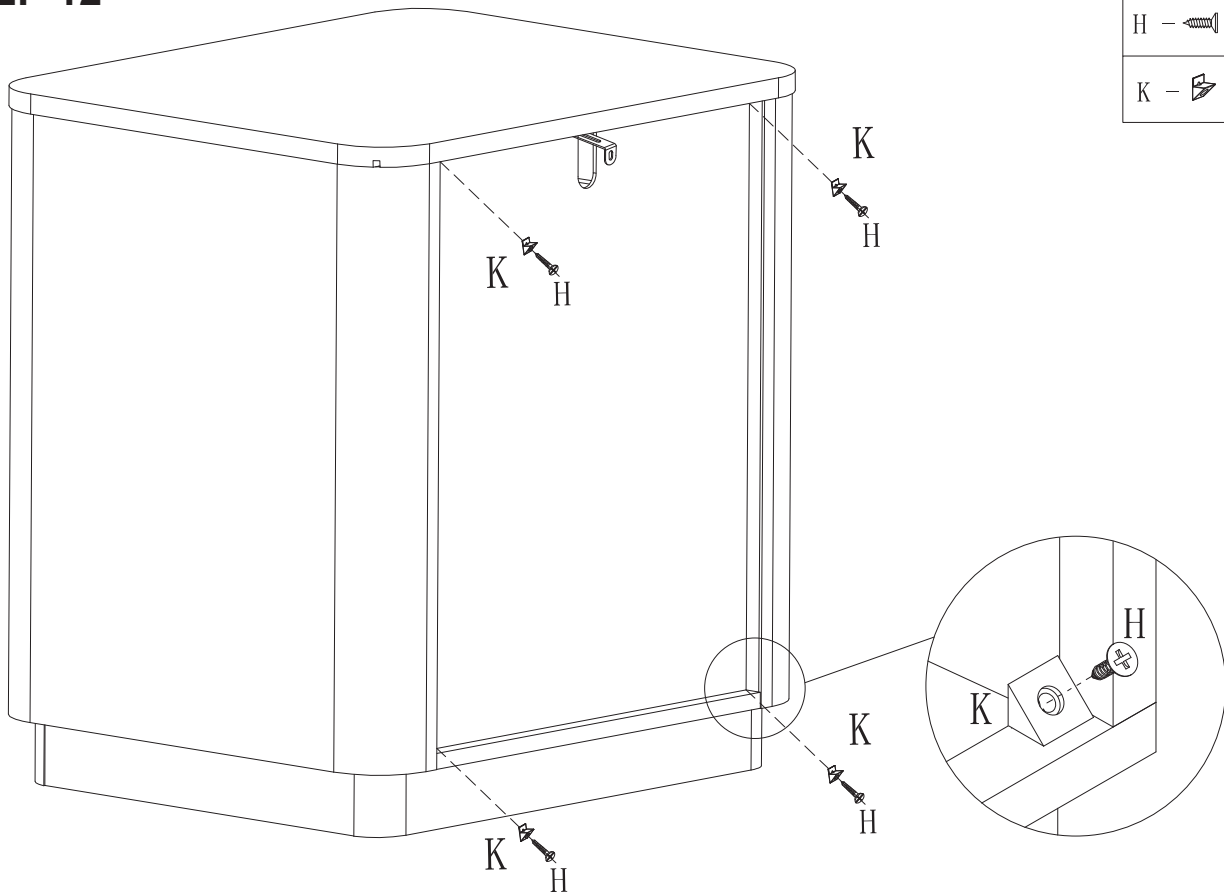
STEP 11



STEP 12

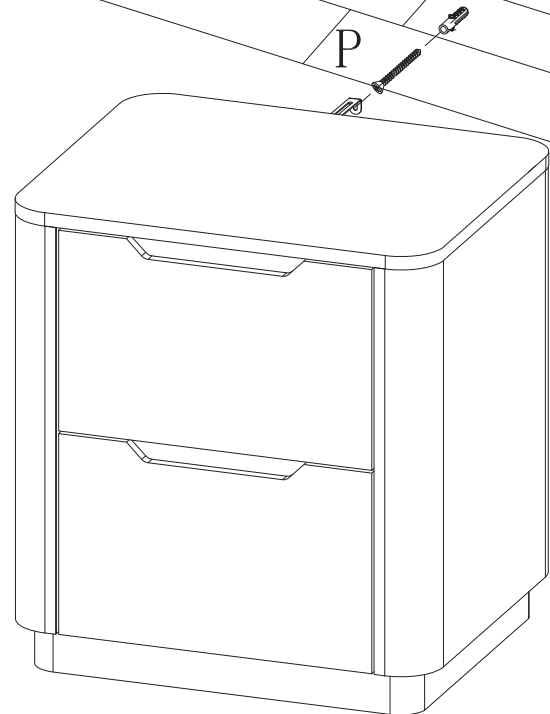
H -  X4

K -  X4

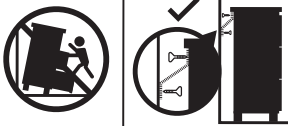


STEP 13

P -  X1



▲ WARNING



Children have died from furniture tipover.

- ALWAYS secure it with an anchor device.
- NEVER allow children to stand, climb or hang on drawers, doors, or shelves.
- NEVER open more than one drawer at a time.
- Place heavy items down low.
- Furniture type is at risk of toppling over.

NEVER put a TV on this furniture



This is a permanent label. Do not remove!

TOPPLING FURNITURE WARNING:

- ALWAYS secure it with an anchor device.
- Please seek professional advice if you are in doubt of what fixing device to use.
- Regularly check that anchors are securely maintained.
- Use safety drawer locks to prevent children climbing.
- Stability of tall items may be affected by thick pile carpet or uneven floors.
- Do not place unanchored televisions on furniture.

CAUTION: for your safety when attaching the anchor fixings, please note the following:

- Check any electrical wires or plumbing inside the wall before drilling any holes (if you are unsure please seek professional advice from a qualified tradesperson).



WARNING: PLEASE SECURE YOUR FURNITURE WITH THE SUPPLIED WALL FIXING. SCAN THE CODE FOR MORE INFORMATION.

