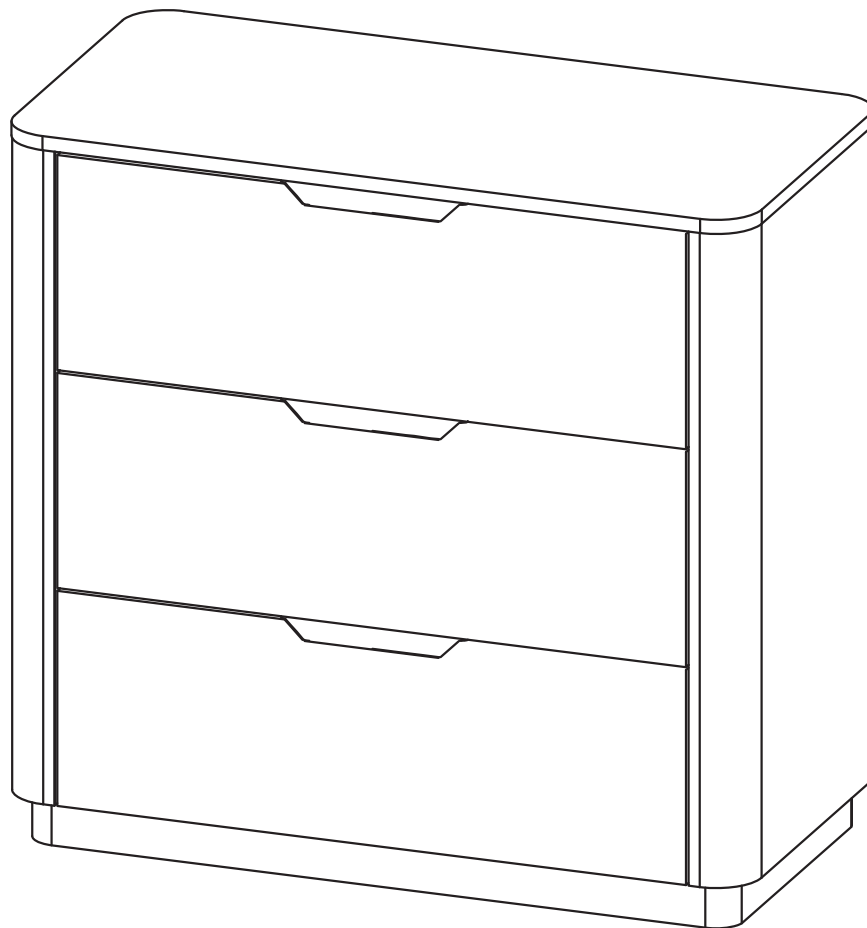


Miles 3 Drawer Chest

Instruction Manual



The photos and illustrations shown in this instruction manual are generic.
The manufacturer reserves the right to change any specification or feature without prior notice.

IMPORTANT: KEEP FOR FUTURE REFERENCE. READ CAREFULLY.

Assembly Instructions

43709298/43709229 MILES 3 DRAWER CHEST

WARNING:

DO NOT STAND, SIT OR LEAN ON THIS UNIT.

DO NOT USE THIS UNIT AS A STEP LADDER OR AS A CHOPPING SURFACE.

KEEP AWAY FROM CHILDREN AND BABIES.

ADULT ASSEMBLY REQUIRED.

USE ONLY ON A FLAT SURFACE.

DO NOT USE THIS UNIT UNLESS ALL BOLTS AND SCREWS ARE FIRMLY SECURED.

CARE INSTRUCTIONS:

TO BE ASSEMBLED ON A CLEAN, DRY AND SMOOTH SURFACE.

WIPE CLEAN WITH A SOFT DAMP CLOTH.

NEVER USE SCOURERS, ABRASIVES OR CHEMICAL SOLVENTS.

CHECK AND TIGHTEN ALL PARTS REGULARLY.

KEEP AWAY FROM MOISTURE AND DIRECT SUNLIGHT.

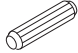
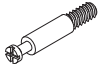

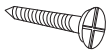

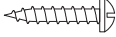




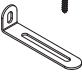

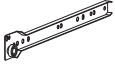
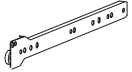

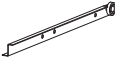

STORE IN A DRY PLACE.

FOR INDOOR AND DOMESTIC USE ONLY.

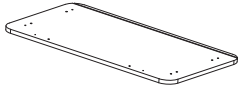
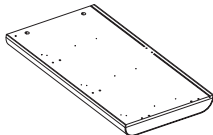
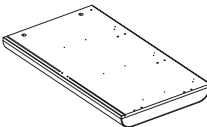
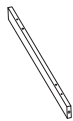
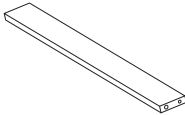
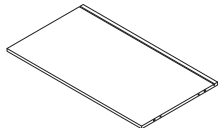
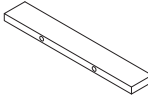
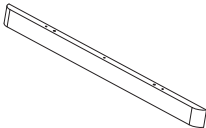
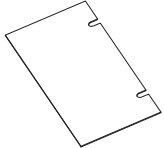
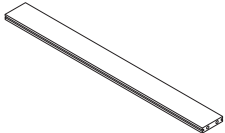
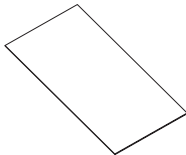
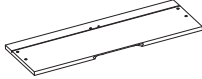
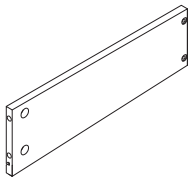
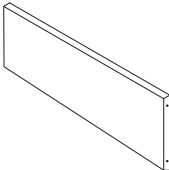
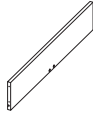
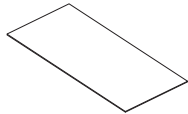
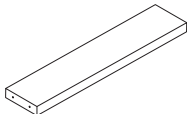
MAXIMUM SAFE LOAD:

15KG FOR TOP PANEL, 7KG FOR EACH DRAWER.

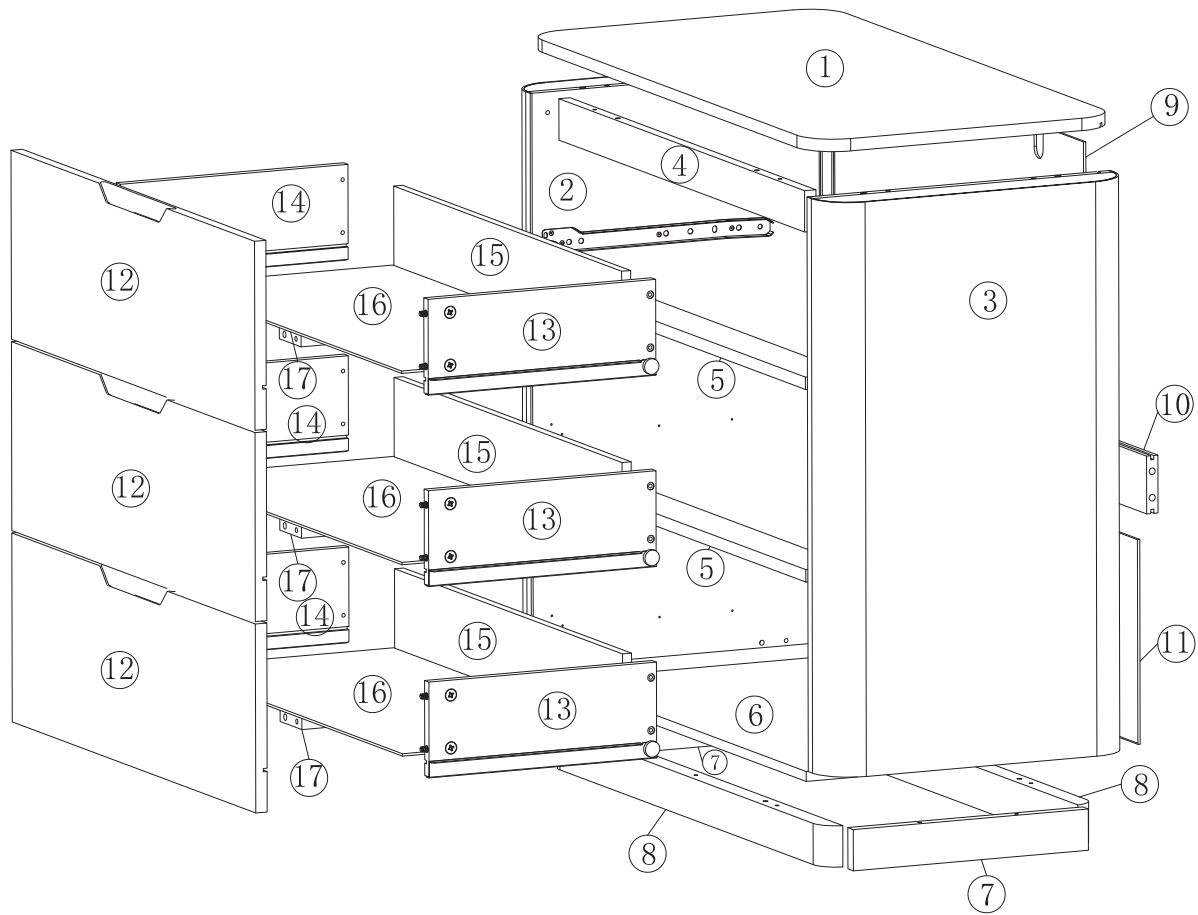
1 Hardware List

A		6X30mm	21	B		6X35mm	33	C		15X10mm	33	D		4X35mm	18
E		3X12mm	42	F		4X35mm	12	G		4X12mm	8	H		3X15mm	16
I			4	K			8	O			2	P			2
CL			3	CR			3	DL			3	DR			3
Q		25mm	4												




2 Parts List

① /1PC	② /1PC	③ /1PC	④ /1PC
			
⑤ /2PC	⑥ /1PC	⑦ /2PCS	⑧ /2PCS
			
⑨ /1PC	⑩ /1PC	⑪ /1PC	⑫ /3PCS
			
⑬ /3PCS	⑭ /3PCS	⑮ /3PCS	⑯ /3PCS
			
⑰ /3PCS			
			

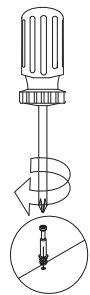
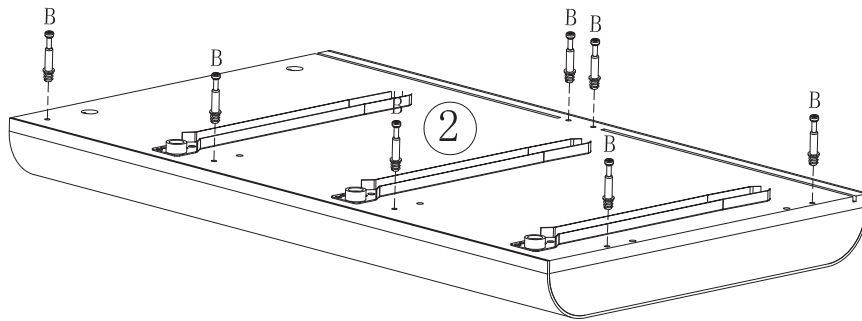
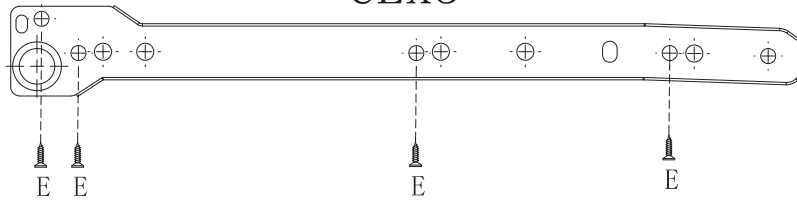
PANEL LAYOUT






STEP 1

- B -  X7
- E -  X12
- CL -  X3

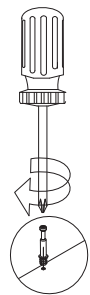
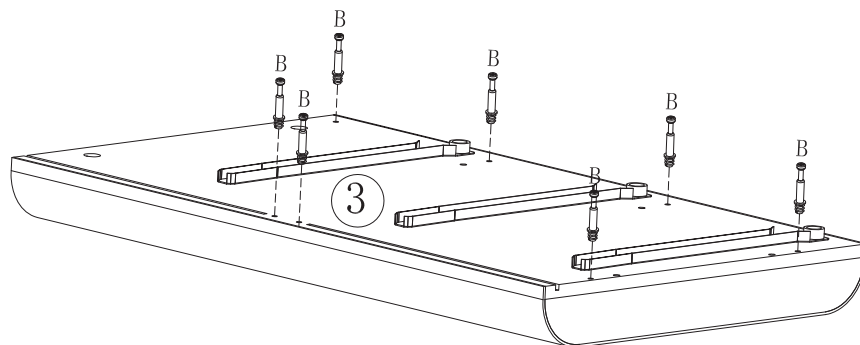
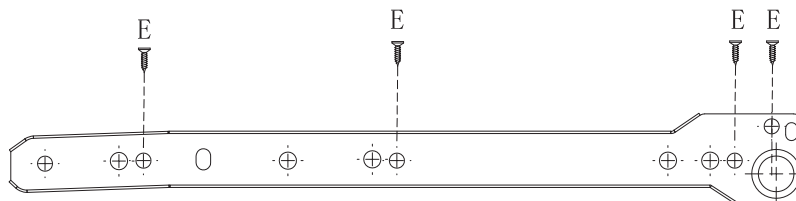
CLx3



STEP 2

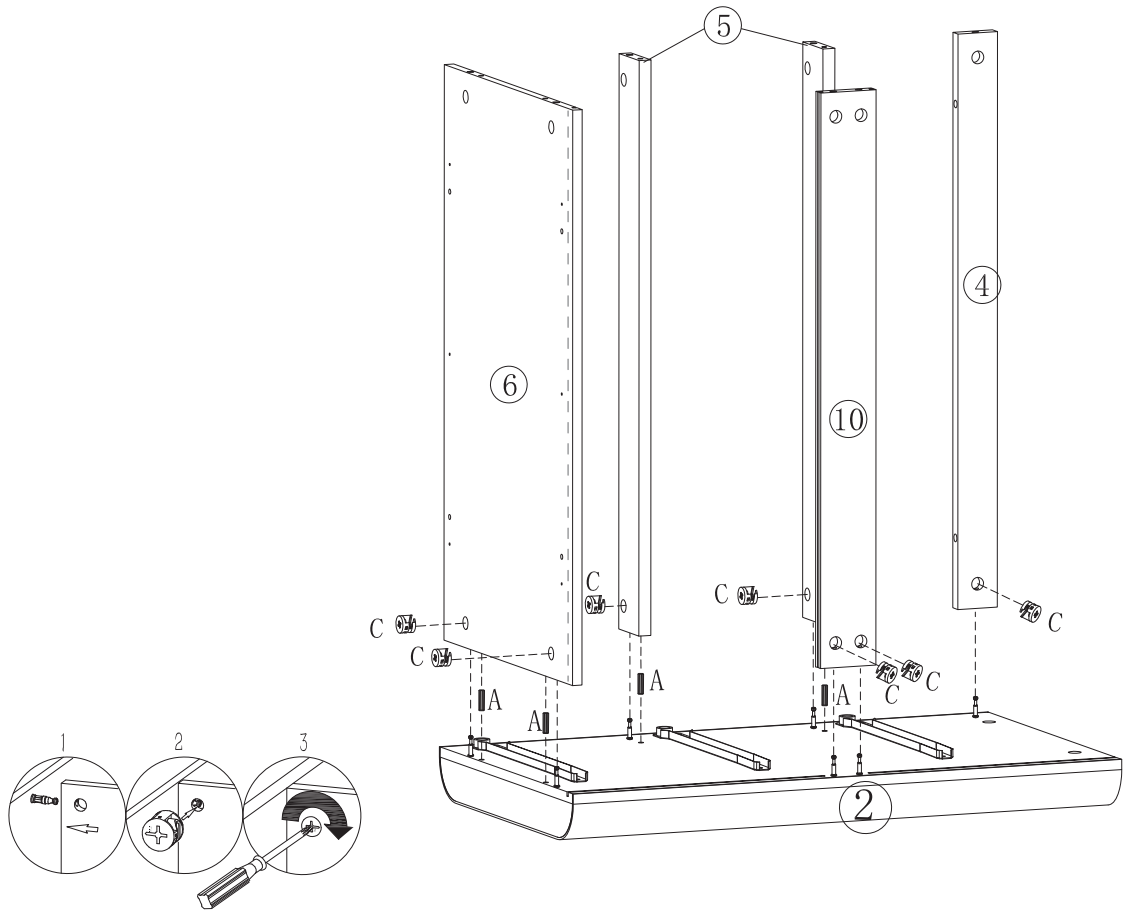
- B -  X7
- E -  X12
- CR -  X3

CRx3

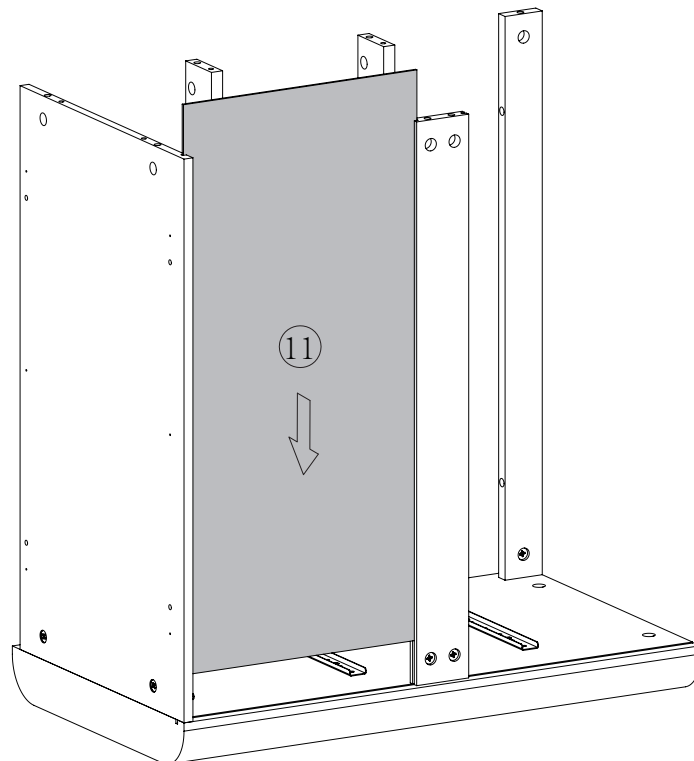


STEP 3

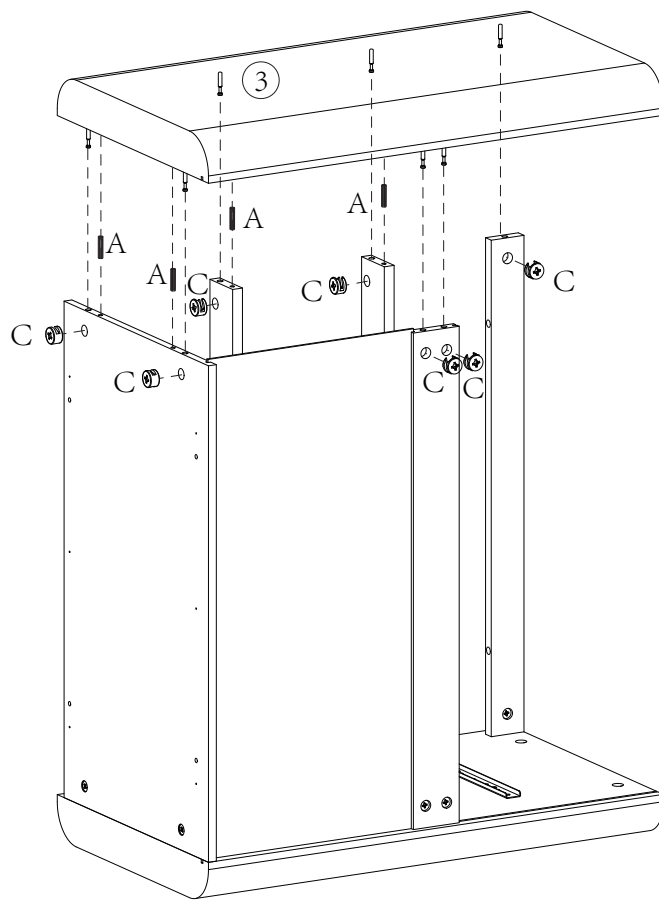
- C - Ⓢ X7
- A - Ⓢ X4





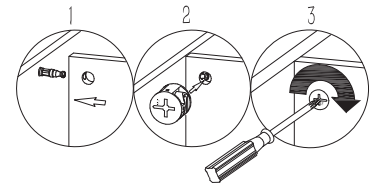
STEP 4



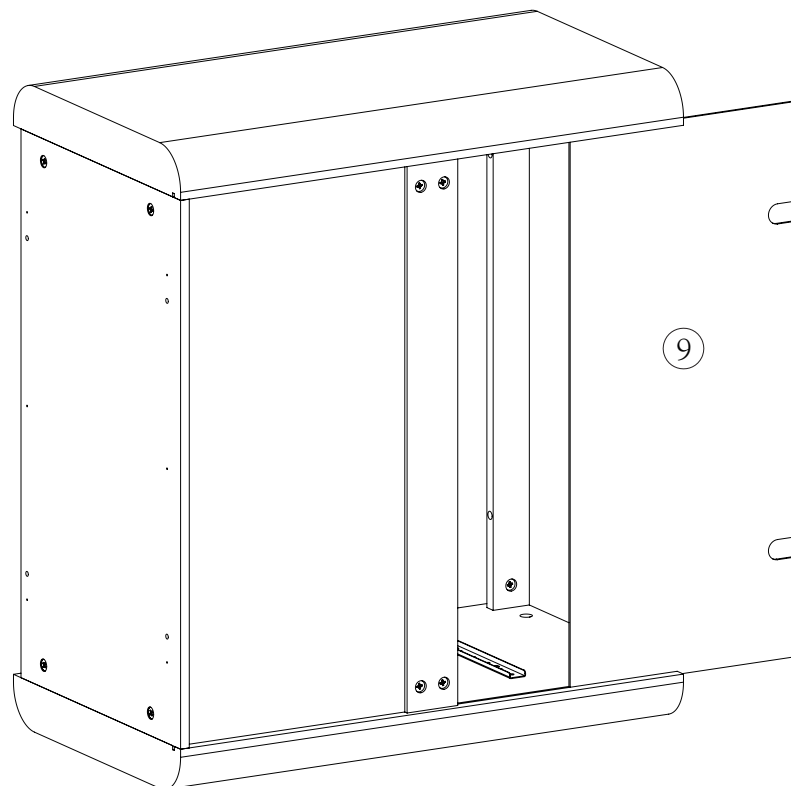
STEP 5



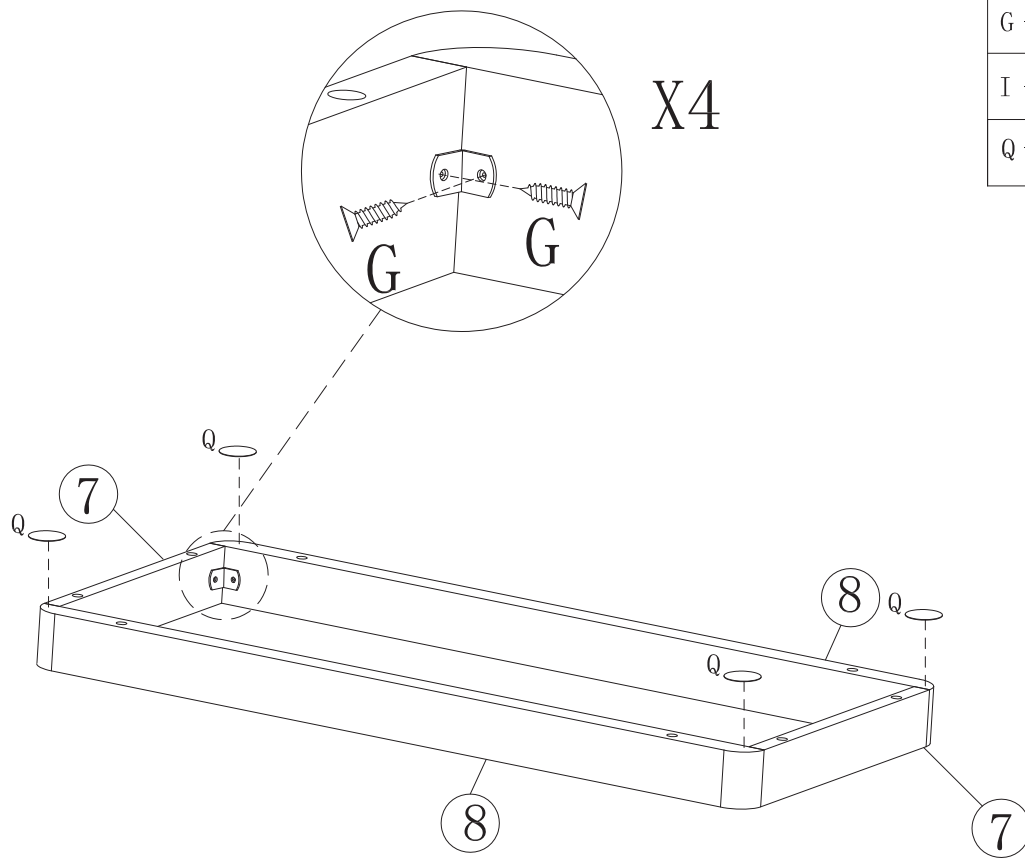
C -		X7
A -		X4



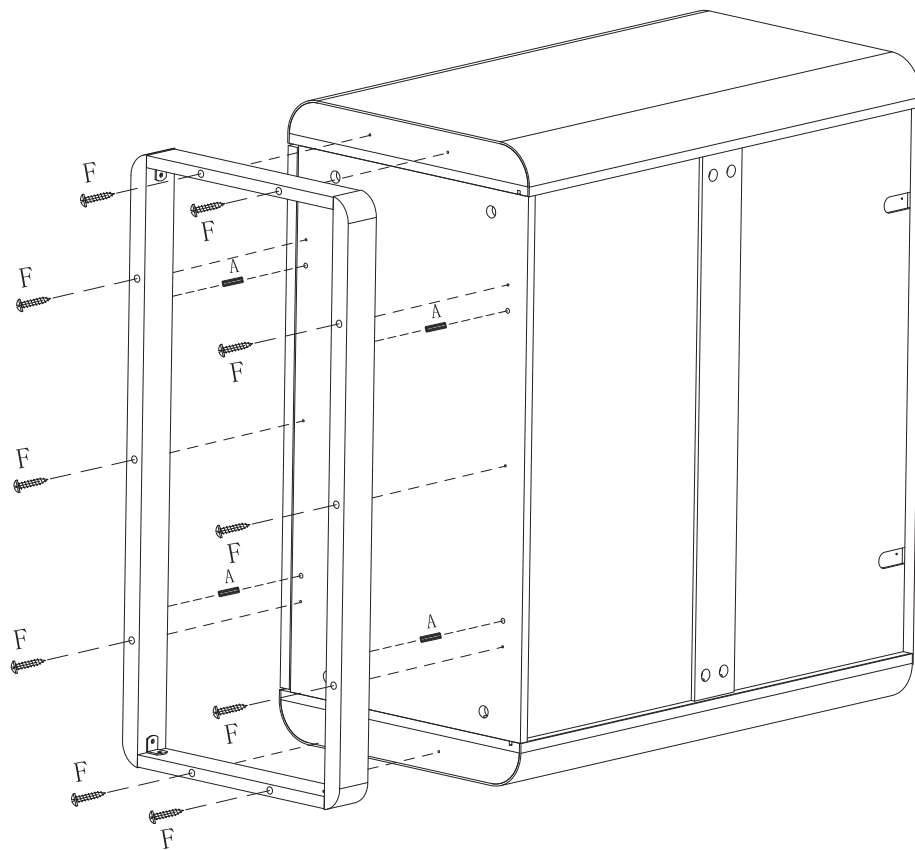
STEP 6





STEP 7

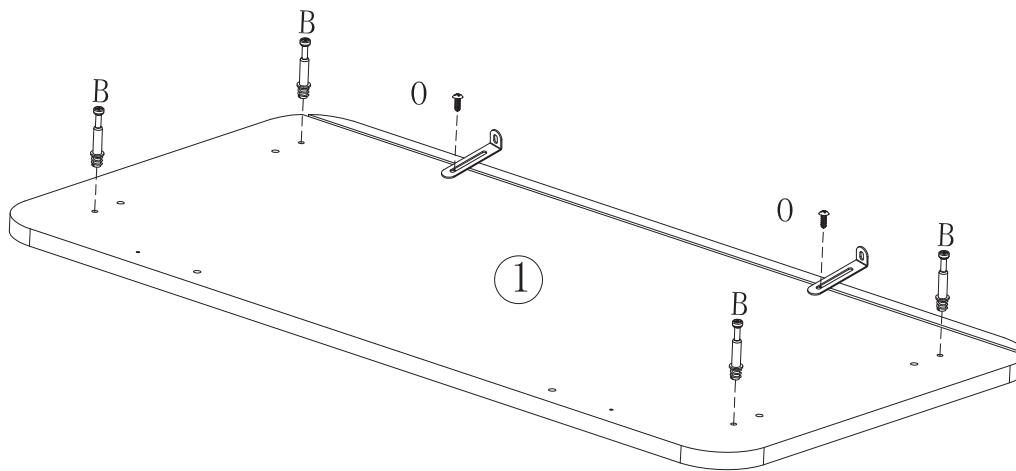


STEP 8



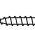


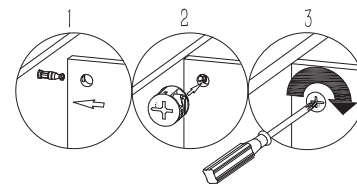
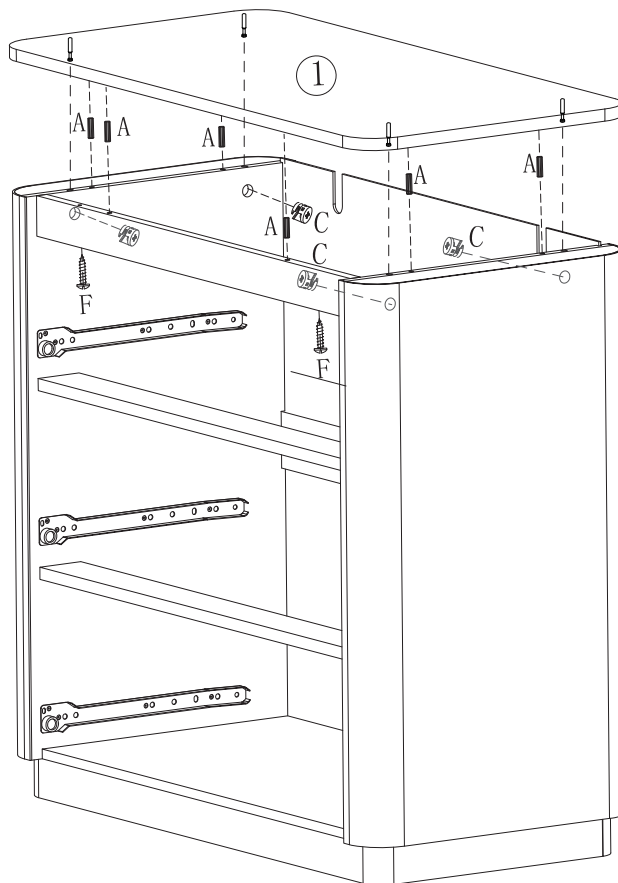
STEP 9

- B -  X4
- O -  X2





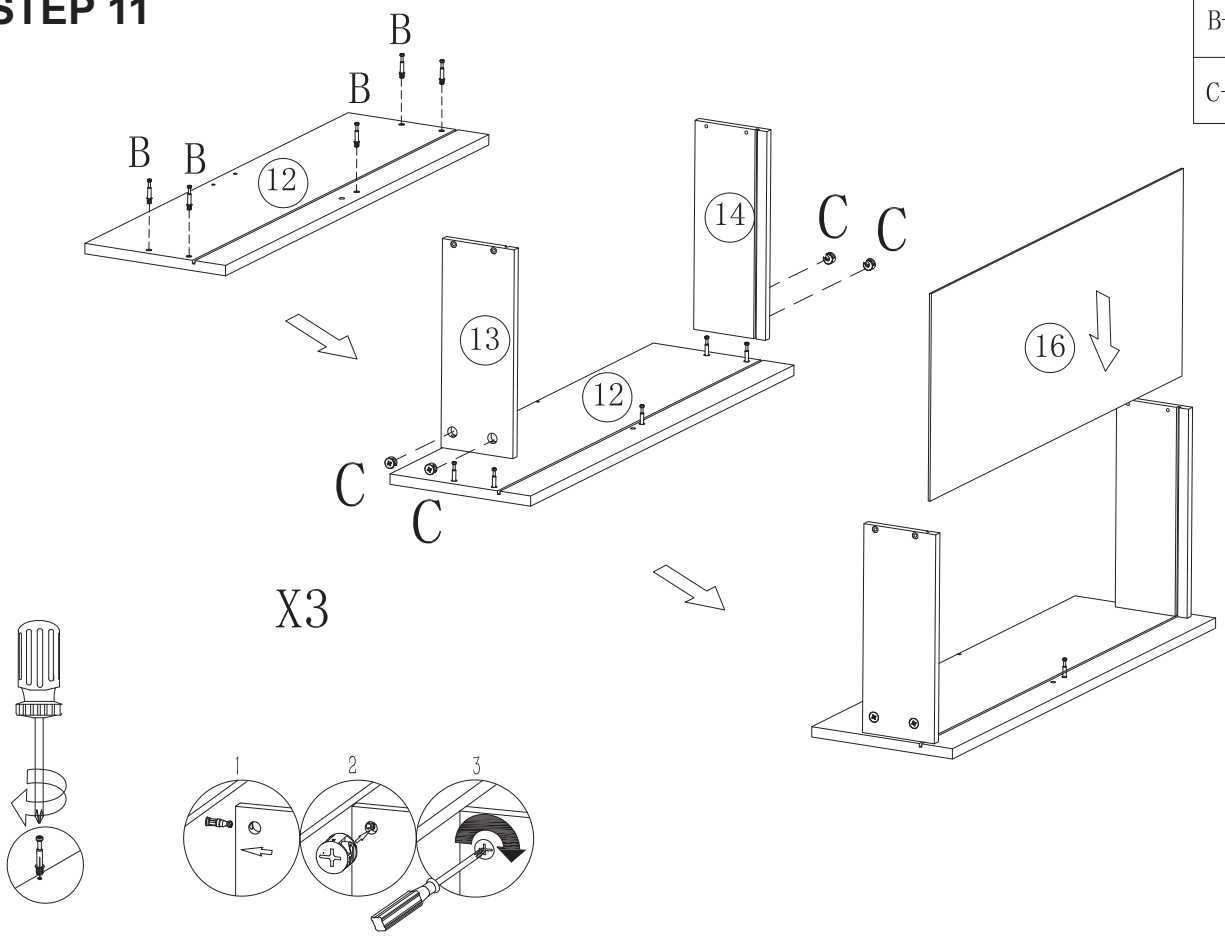
STEP 10

- C -  X4
- A -  X6
- F -  X2


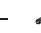






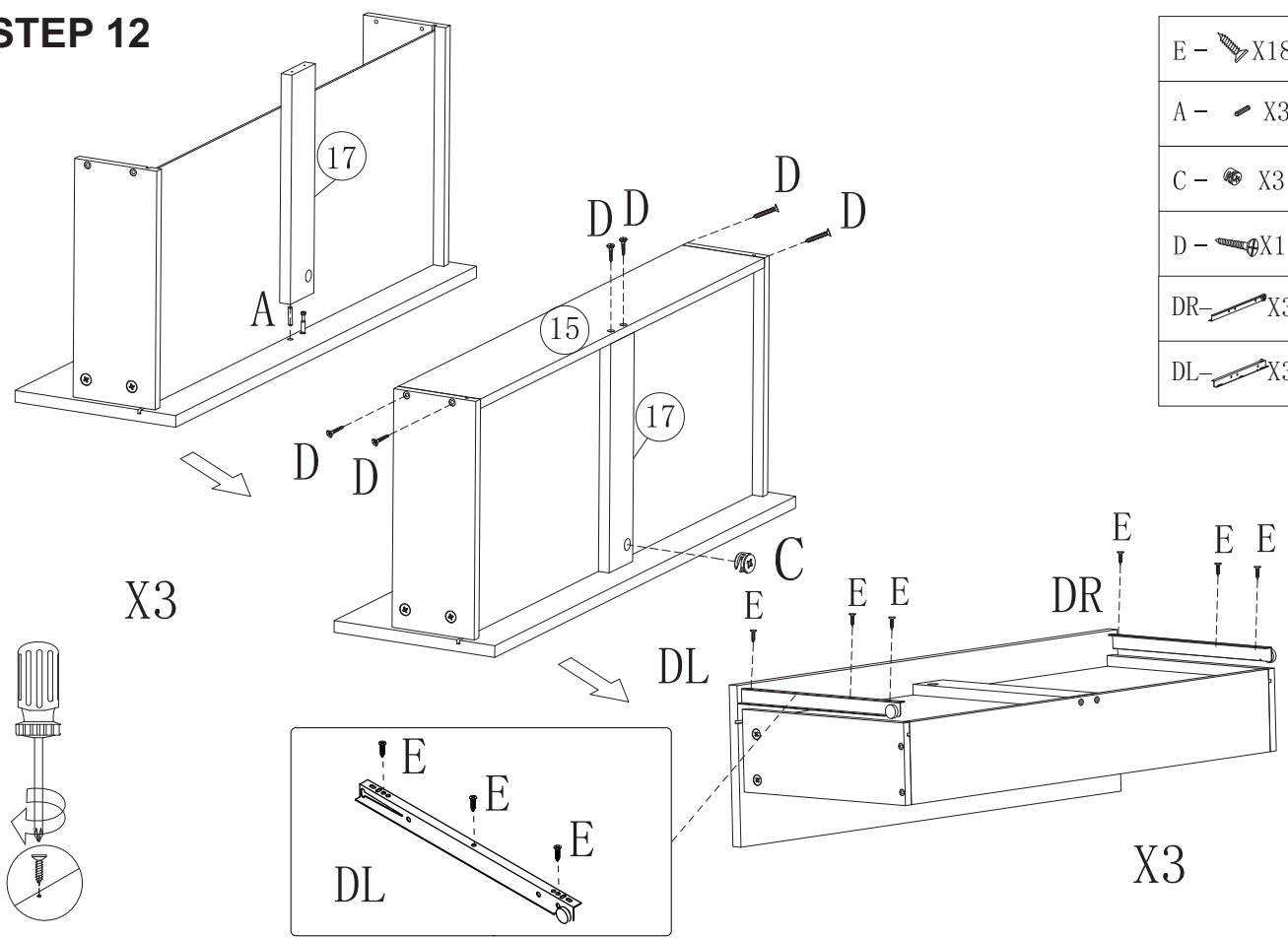
STEP 11

- B-  X15
- C-  X12

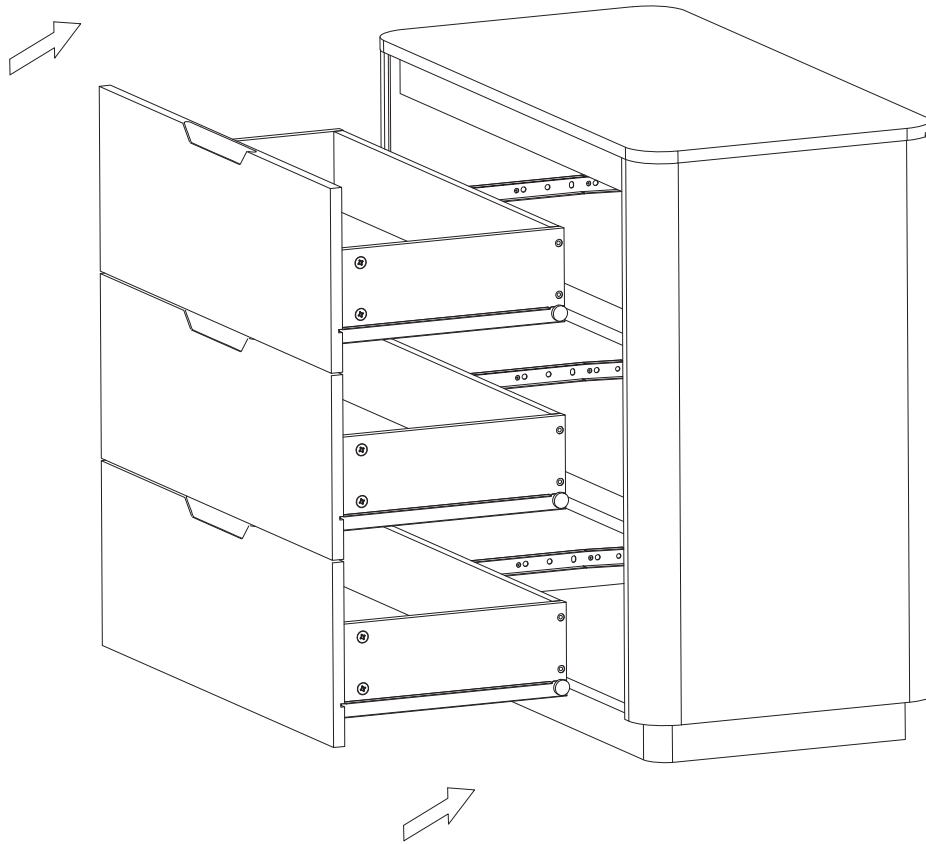


STEP 12

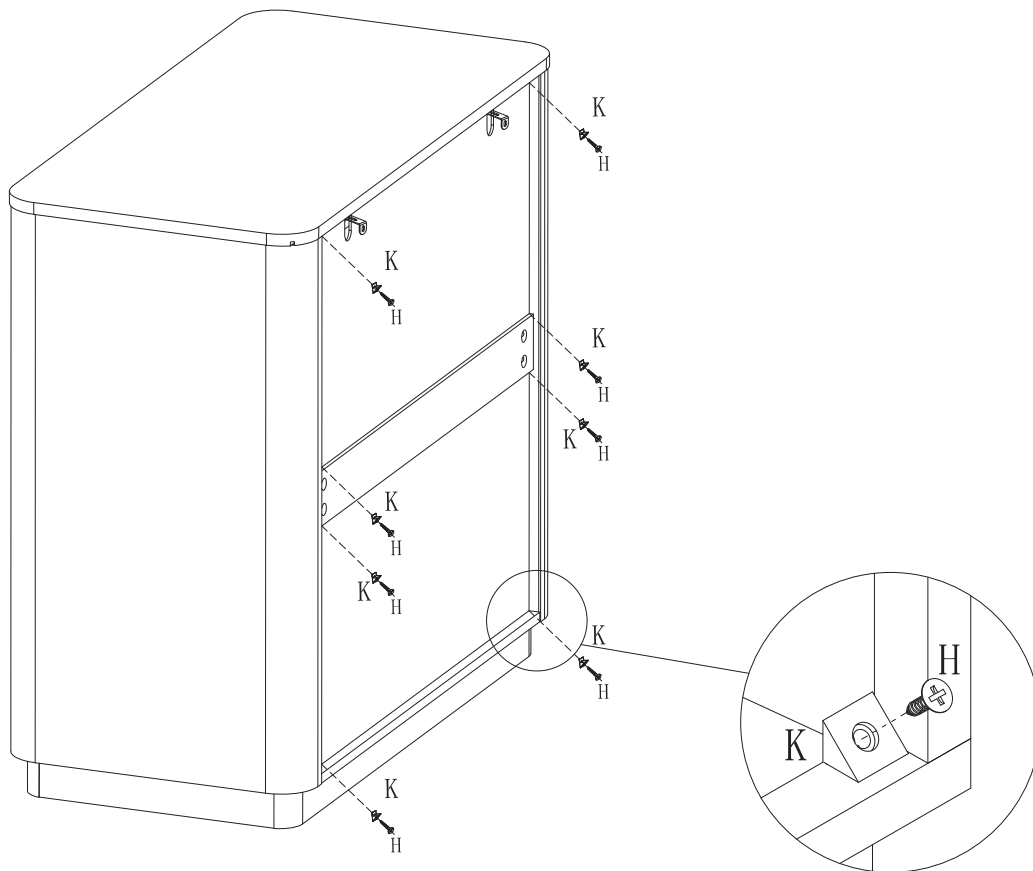
- E -  X18
- A -  X3
- C -  X3
- D -  X18
- DR -  X3
- DL -  X3



STEP 13

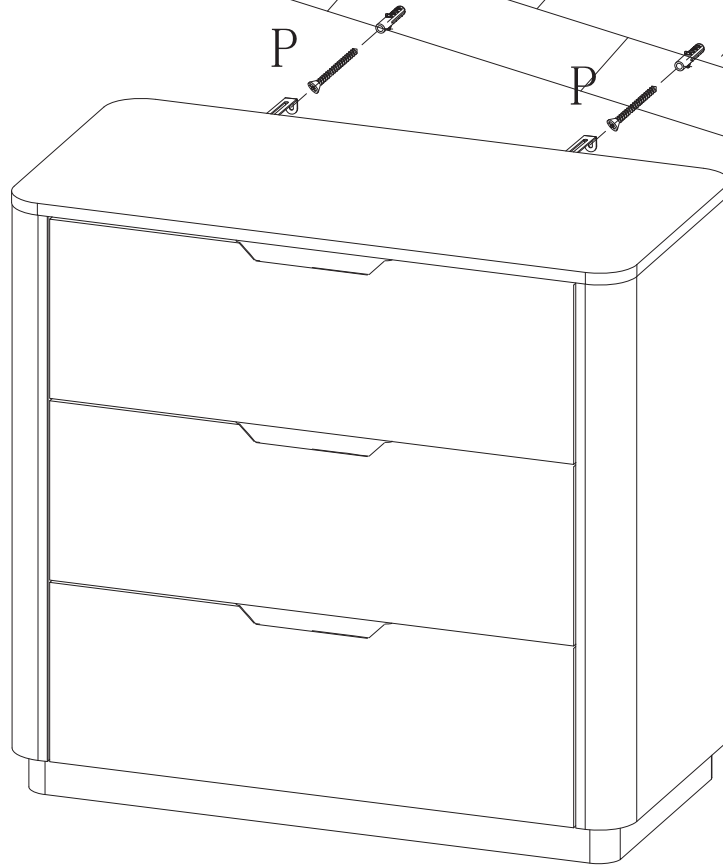


STEP 14



STEP 15

P - X2



TOPPLING FURNITURE WARNING:

- **ALWAYS** secure it with an anchor device.
- Please seek professional advice if you are in doubt of what fixing device to use.
- Regularly check that anchors are securely maintained.
- Use safety drawer locks to prevent children climbing.
- Stability of tall items may be affected by thick pile carpet or uneven floors .
- Do not place unanchored televisions on furniture .

⚠ WARNING	
	
<p>Children have died from furniture tipover.</p> <ul style="list-style-type: none">• ALWAYS secure it with an anchor device.• NEVER allow children to stand, climb or hang on drawers, doors, or shelves.• NEVER open more than one drawer at a time.• Place heavy items down low.	
<p>NEVER put a TV on this furniture </p>	
<p>This is a permanent label. Do not remove!</p>	

CAUTION: for your safety when attaching the anchor fixings, please note the following:

- **Check any electrical wires or plumbing inside the wall before drilling any holes (if you are unsure please seek professional advice from a qualified tradesperson).**



WARNING: PLEASE SECURE YOUR FURNITURE WITH THE SUPPLIED WALL FIXING. SCAN THE CODE FOR MORE INFORMATION.

