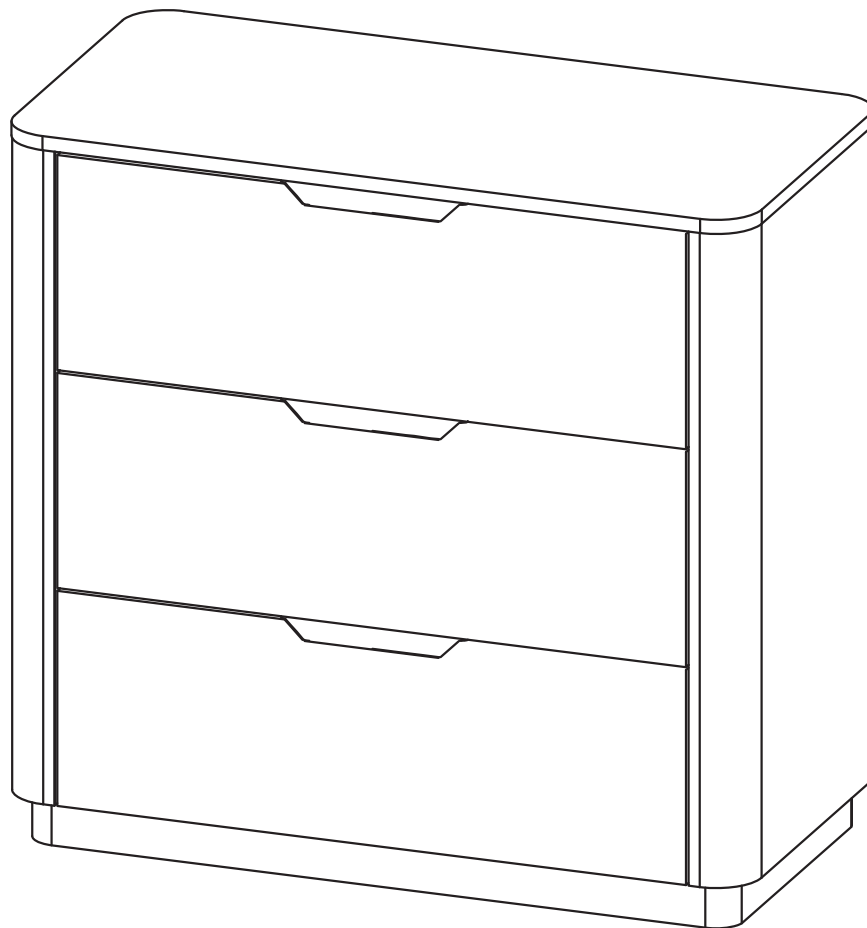


# Miles 3 Drawer Chest

## Instruction Manual



The photos and illustrations shown in this instruction manual are generic.  
The manufacturer reserves the right to change any specification or feature without prior notice.

**IMPORTANT: KEEP FOR FUTURE REFERENCE. READ CAREFULLY.**

# Assembly Instructions

**K:43709229 | T:73014249 Miles 3 Drawer Chest Oak**  
**K:43709298 | T:73014256 Miles 3 Drawer Chest Walnut**

## **WARNING:**

DO NOT STAND, SIT OR LEAN ON THIS UNIT.

DO NOT USE THIS UNIT AS A STEP LADDER OR AS A CHOPPING SURFACE.

KEEP AWAY FROM CHILDREN AND BABIES.

ADULT ASSEMBLY REQUIRED.

USE ONLY ON A FLAT SURFACE.

DO NOT USE THIS UNIT UNLESS ALL BOLTS AND SCREWS ARE FIRMLY  
SECURED.

## **CARE INSTRUCTIONS:**

TO BE ASSEMBLED ON A CLEAN, DRY AND SMOOTH SURFACE.

WIPE CLEAN WITH A SOFT DAMP CLOTH.

NEVER USE SCOURERS, ABRASIVES OR CHEMICAL SOLVENTS.

CHECK AND TIGHTEN ALL PARTS REGULARLY.

KEEP AWAY FROM MOISTURE AND DIRECT SUNLIGHT.

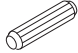
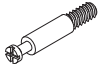

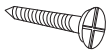

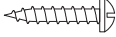




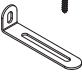

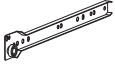
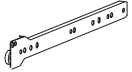

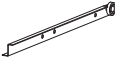

STORE IN A DRY PLACE.

FOR INDOOR AND DOMESTIC USE ONLY.

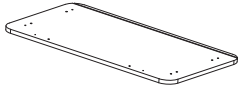
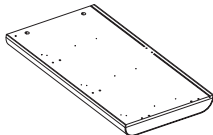
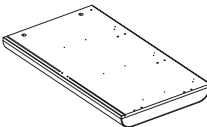
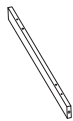
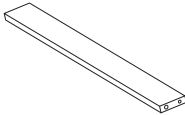
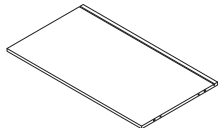
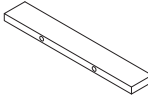
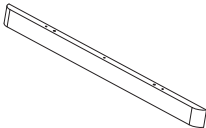
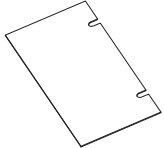
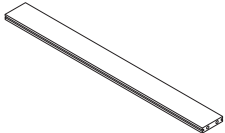
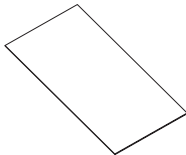
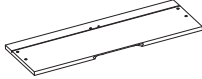
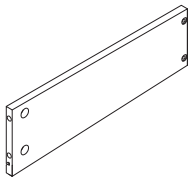
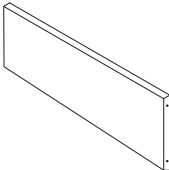
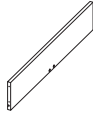
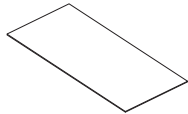
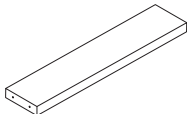
## **MAXIMUM SAFE LOAD:**

**15KG FOR TOP PANEL, 7KG FOR EACH DRAWER.**

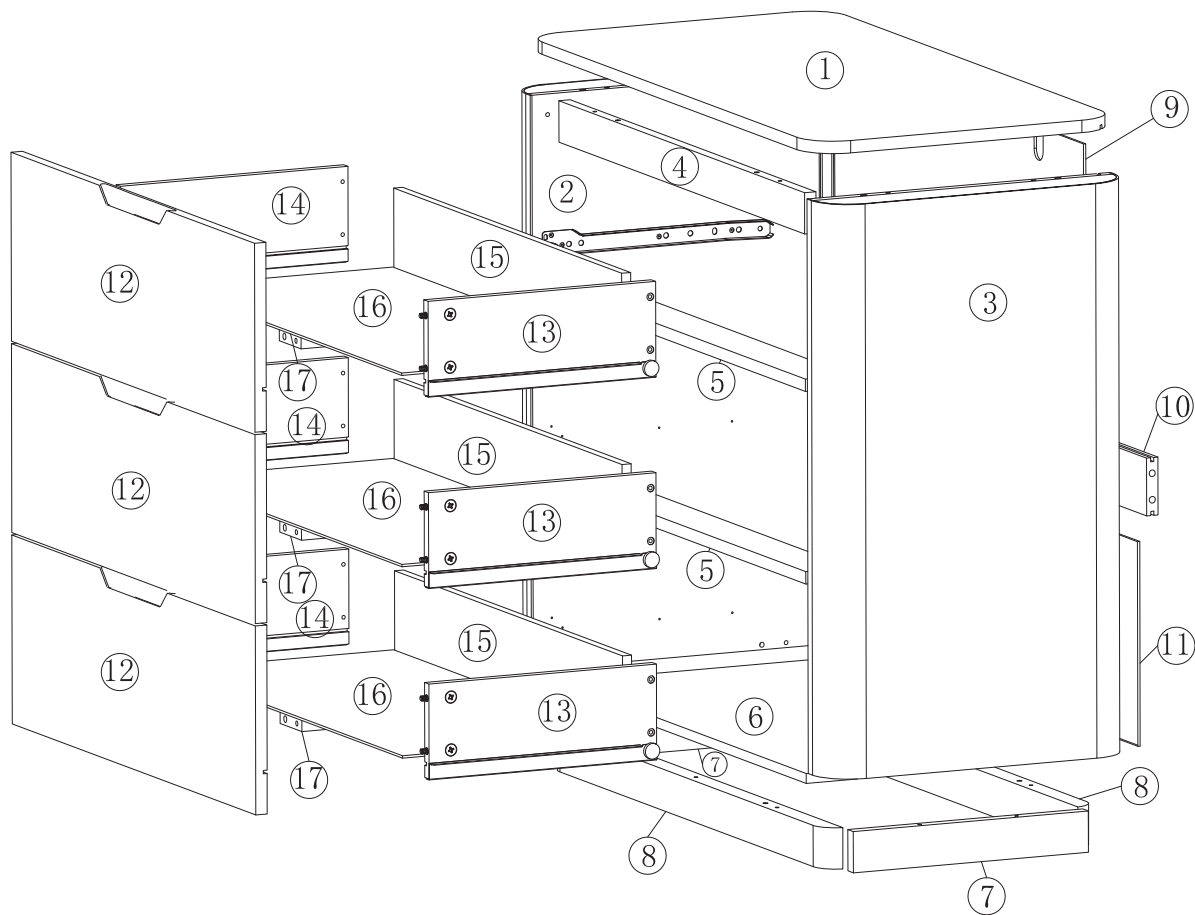
# 1 Hardware List

A		6X30mm	21	B		6X35mm	33	C		15X10mm	33	D		4X35mm	18
E		3X12mm	42	F		4X35mm	12	G		4X12mm	8	H		3X15mm	8
I			4	K			8	O			2	P			2
CL			3	CR			3	DL			3	DR			3
Q		25mm	4												




# 2 Parts List

① /1PC	② /1PC	③ /1PC	④ /1PC
			
⑤ /2PC	⑥ /1PC	⑦ /2PCS	⑧ /2PCS
			
⑨ /1PC	⑩ /1PC	⑪ /1PC	⑫ /3PCS
			
⑬ /3PCS	⑭ /3PCS	⑮ /3PCS	⑯ /3PCS
			
⑰ /3PCS			
			

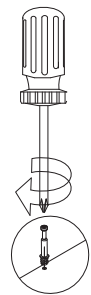
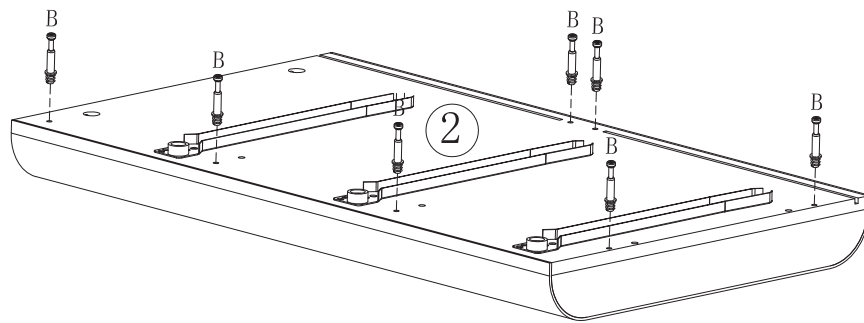
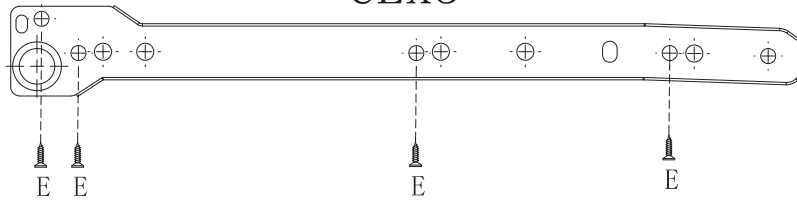
# PANEL LAYOUT






# STEP 1

- B -  X7
- E -  X12
- CL -  X3

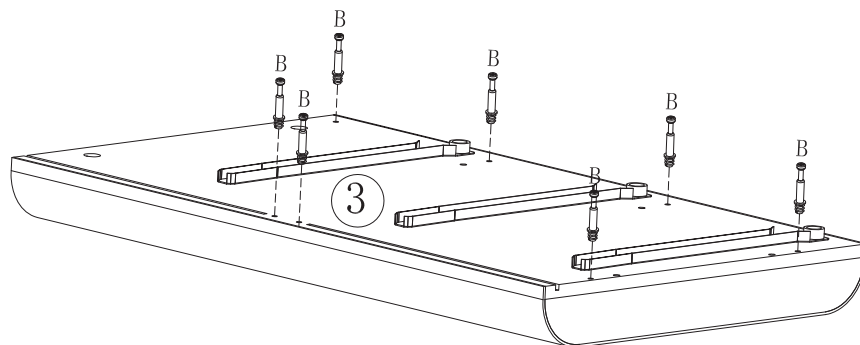
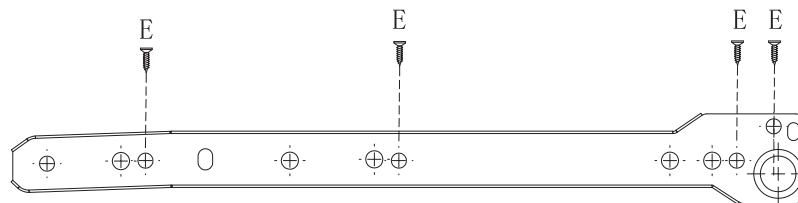
## CLx3



# STEP 2

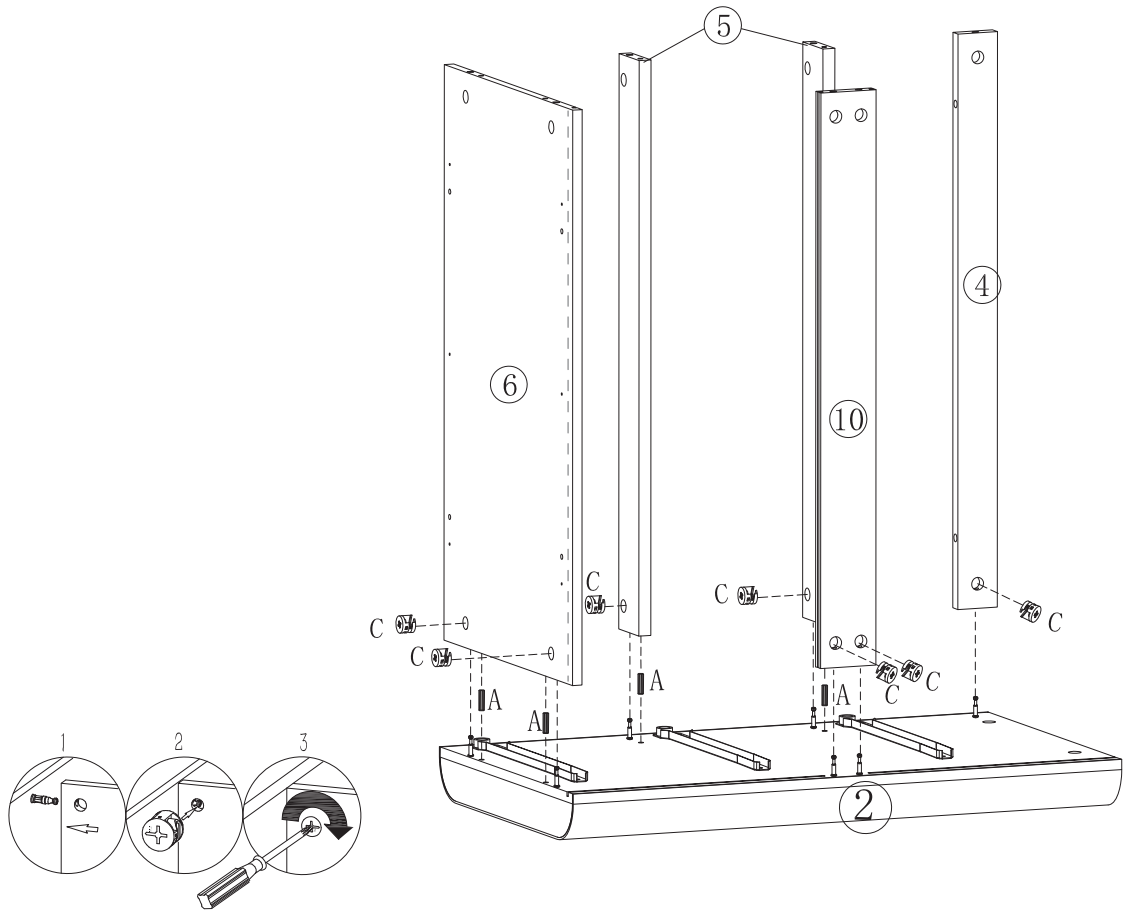
- B -  X7
- E -  X12
- CR -  X3

## CRx3

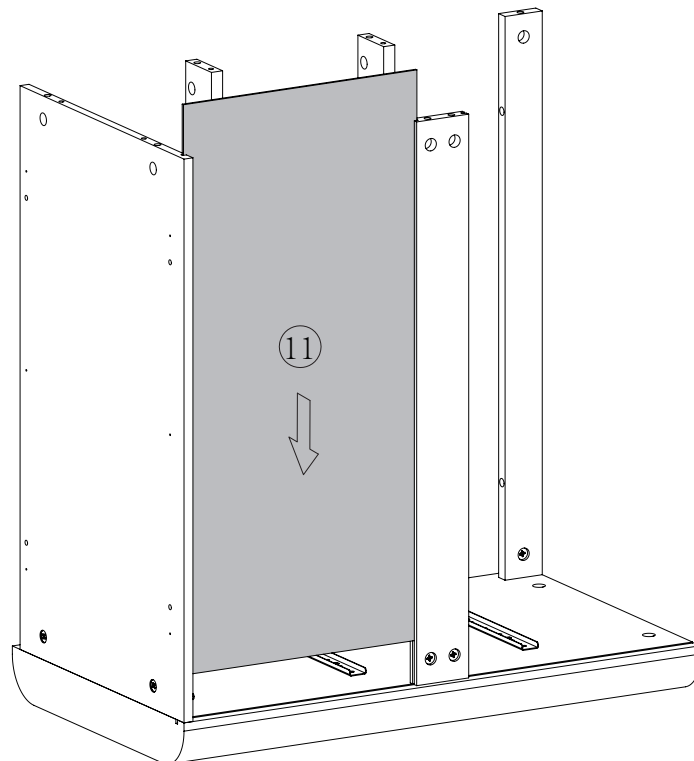


# STEP 3

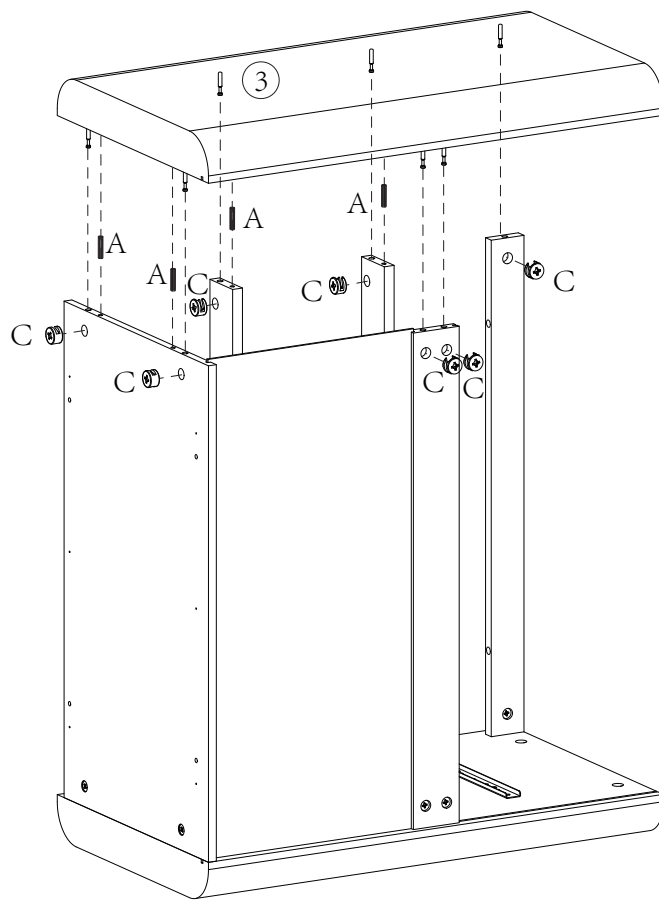
- C - ⚙ X7
- A - 🔩 X4





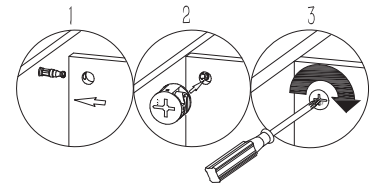
# STEP 4



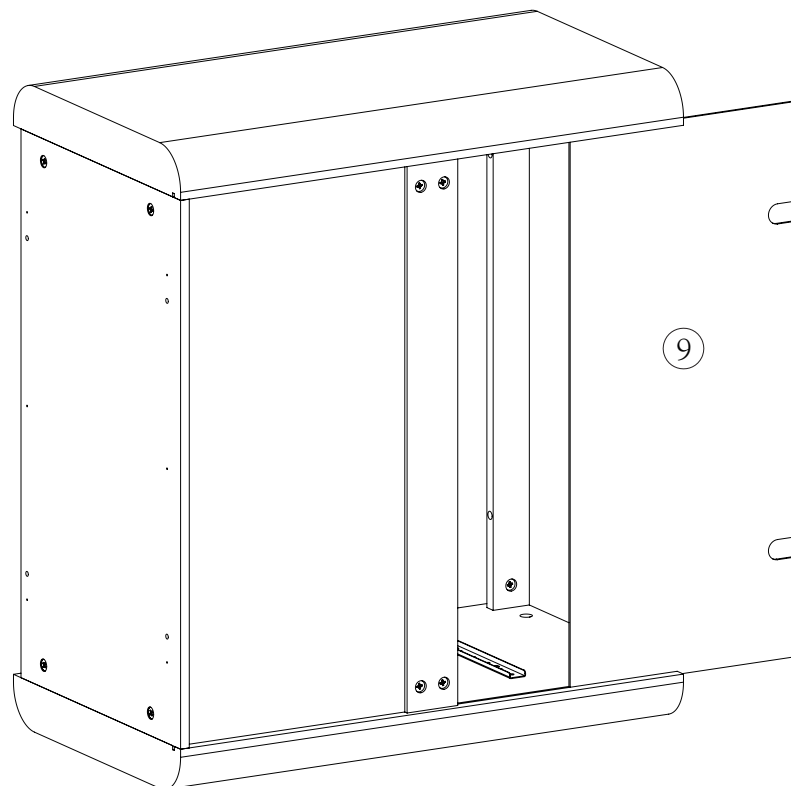
# STEP 5



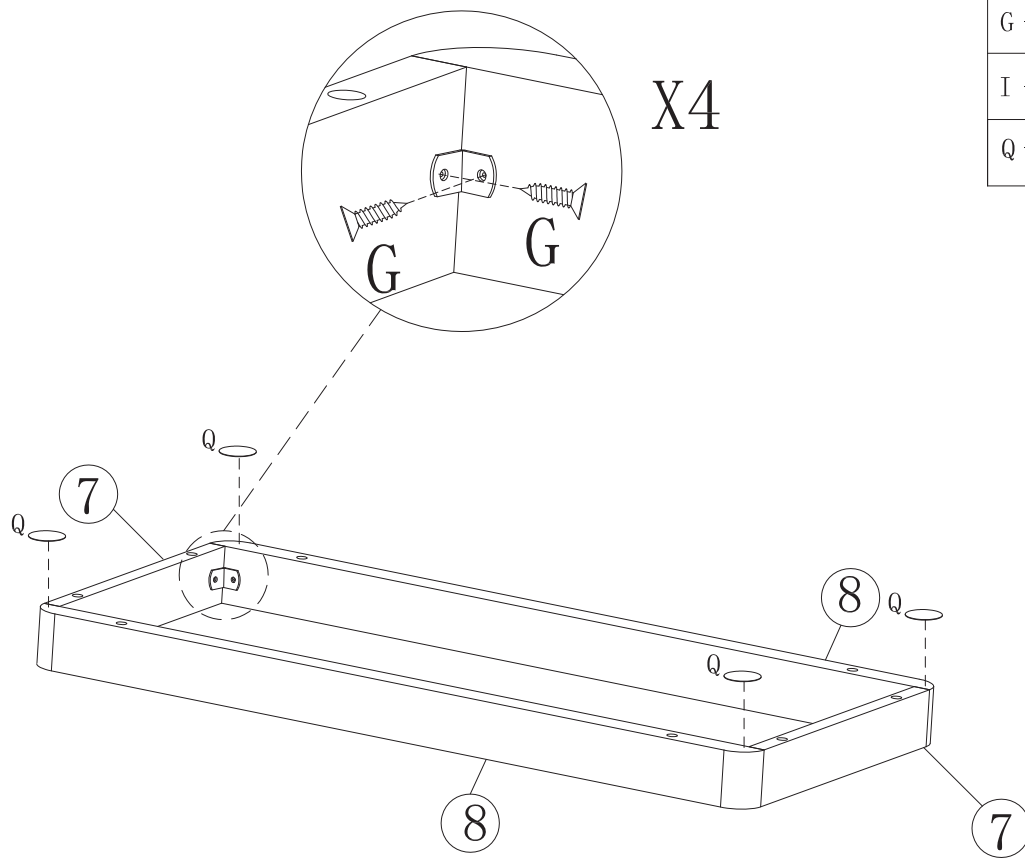
C -		X7
A -		X4



# STEP 6

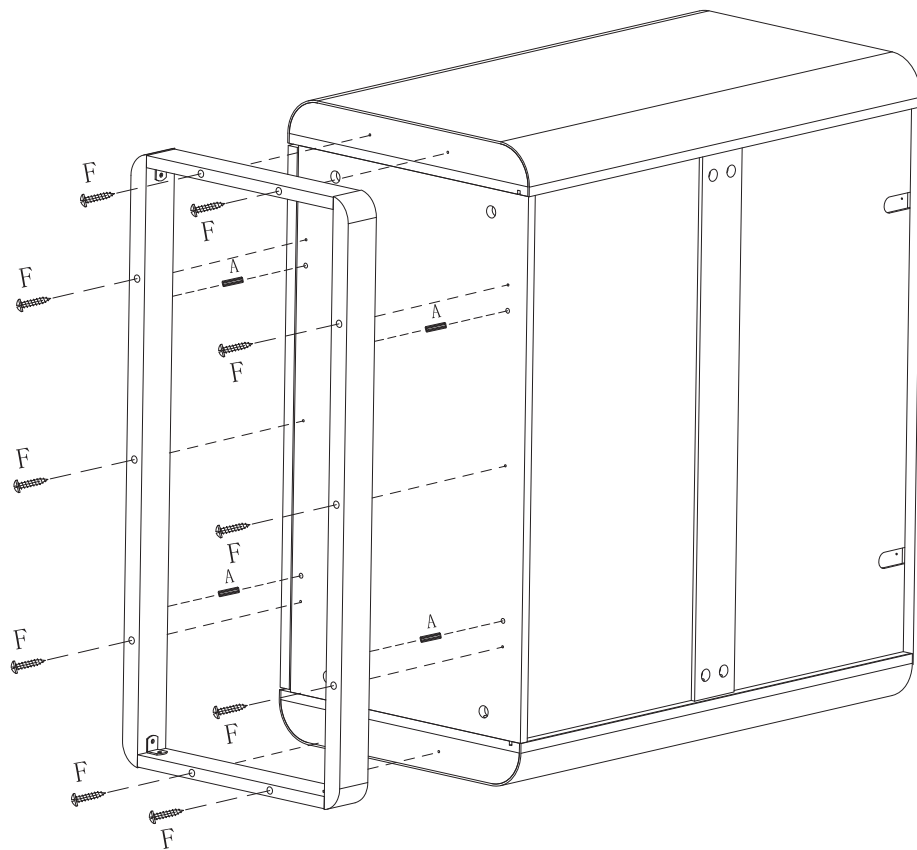


# STEP 7





G -	X8
I -	X4
Q -	X4

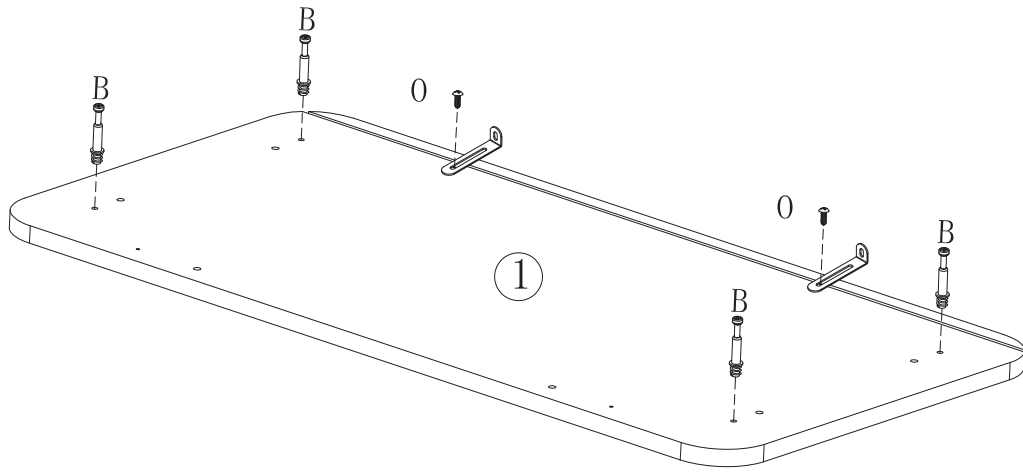
# STEP 8





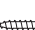
F -	X10
A -	X4

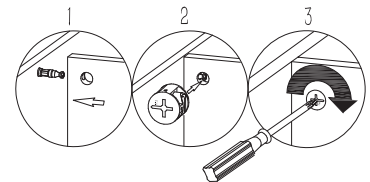
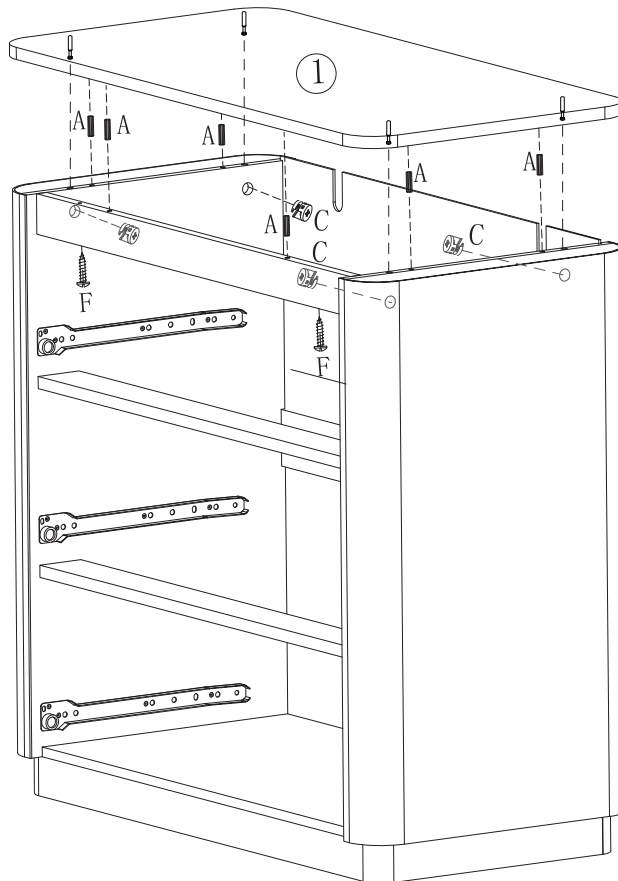
# STEP 9

- B -  X4
- O -  X2



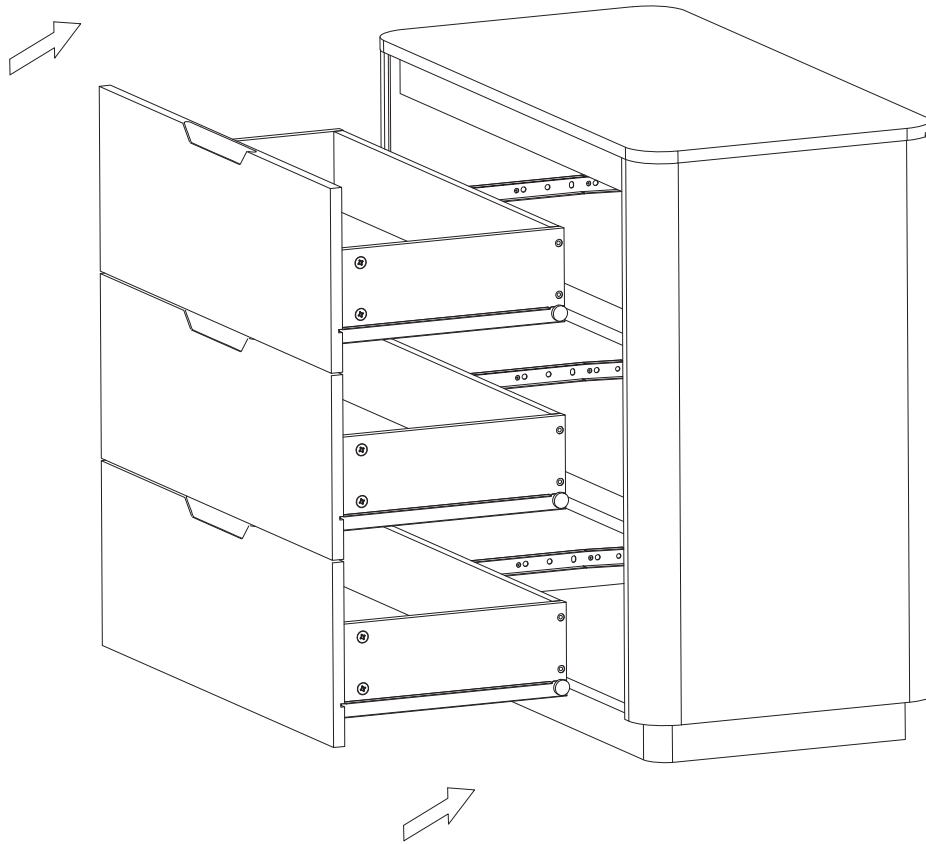
# STEP 10

- C -  X4
- A -  X6
- F -  X2

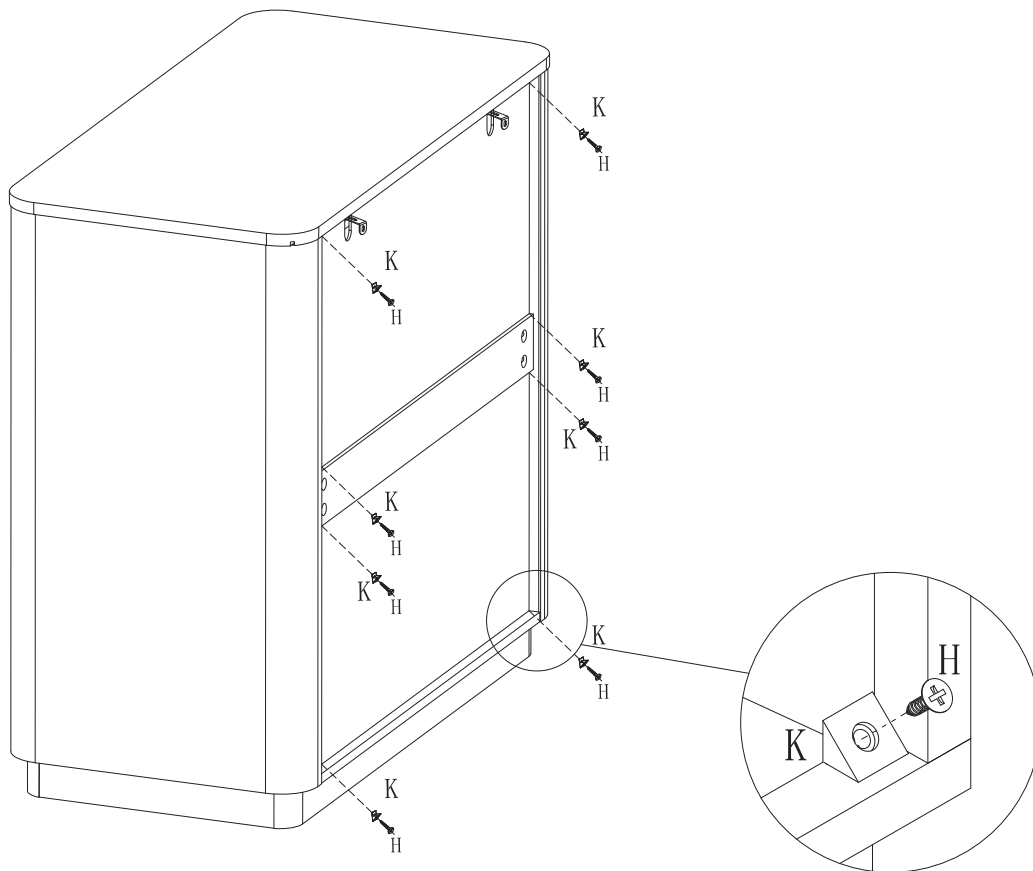




# STEP 13

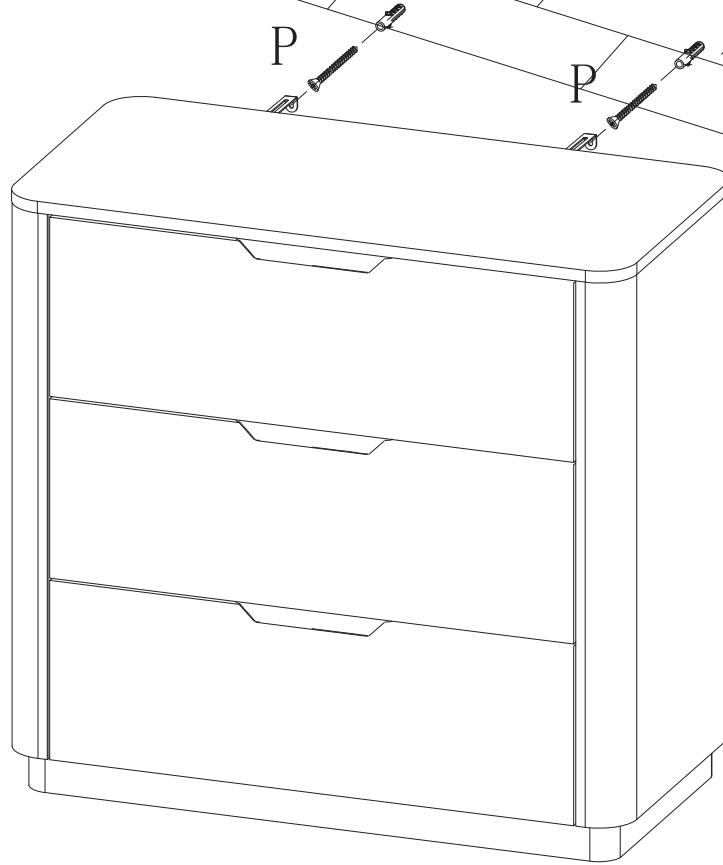


# STEP 14



# STEP 15

P - X2



### TOPPLING FURNITURE WARNING:

- **ALWAYS** secure it with an anchor device.
- Please seek professional advice if you are in doubt of what fixing device to use.
- Regularly check that anchors are securely maintained.
- Use safety drawer locks to prevent children climbing.
- Stability of tall items may be affected by thick pile carpet or uneven floors .
- Do not place unanchored televisions on furniture .

<b>⚠ WARNING</b>	
<p><b>Children have died from furniture tipover.</b></p> <ul style="list-style-type: none"> <li>• ALWAYS secure it with an anchor device.</li> <li>• NEVER allow children to stand, climb or hang on drawers, doors, or shelves.</li> <li>• NEVER open more than one drawer at a time.</li> <li>• Place heavy items down low.</li> </ul>	
<p><b>NEVER put a TV on this furniture</b></p>	
<p><b>This is a permanent label. Do not remove!</b></p>	

**CAUTION:** for your safety when attaching the anchor fixings, please note the following:

- **Check any electrical wires or plumbing inside the wall before drilling any holes (if you are unsure please seek professional advice from a qualified tradesperson).**

<p><b>TOPPLING HAZARD</b></p>	<p>WARNING: PLEASE SECURE YOUR FURNITURE WITH THE SUPPLIED WALL FIXING. SCAN THE CODE FOR MORE INFORMATION.</p>	
-------------------------------	---	--