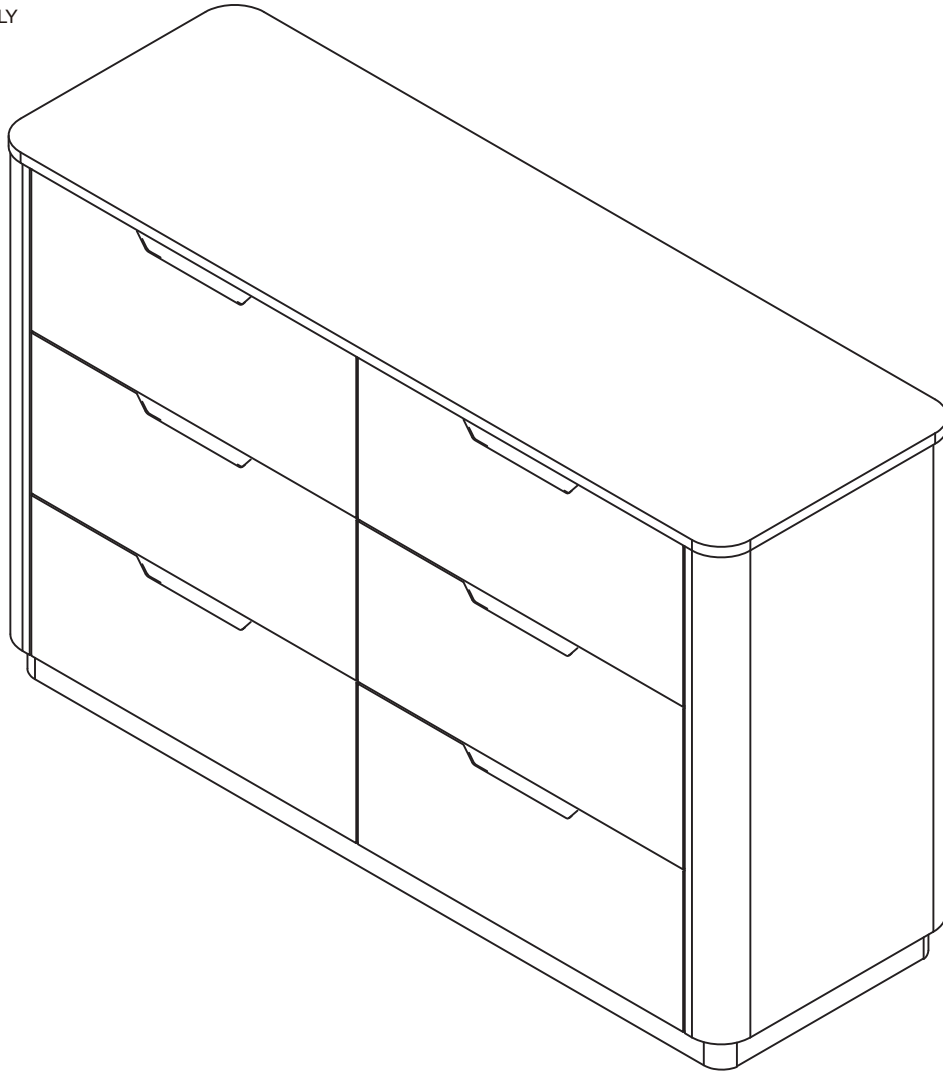


## Miles 6 Drawer Chest Instruction Manual



2-PERSON ASSEMBLY



The photos and illustrations shown in this instruction manual are generic.  
The manufacturer reserves the right to change any specification or feature without prior notice.

**IMPORTANT: KEEP FOR FUTURE REFERENCE. READ CAREFULLY.**

# Assembly Instructions

## 43709267/43709106 MILES 6 DRAWER CHEST

### **WARNING:**

DO NOT STAND, SIT OR LEAN ON THIS UNIT.

DO NOT USE THIS UNIT AS A STEP LADDER OR AS A CHOPPING SURFACE.

KEEP AWAY FROM CHILDREN AND BABIES.

ADULT ASSEMBLY REQUIRED.

USE ONLY ON A FLAT SURFACE.

DO NOT USE THIS UNIT UNLESS ALL BOLTS AND SCREWS ARE FIRMLY SECURED.

### **CARE INSTRUCTIONS:**

TO BE ASSEMBLED ON A CLEAN, DRY AND SMOOTH SURFACE.

WIPE CLEAN WITH A SOFT DAMP CLOTH.

NEVER USE SCOURERS, ABRASIVES OR CHEMICAL SOLVENTS.

CHECK AND TIGHTEN ALL PARTS REGULARLY.

KEEP AWAY FROM MOISTURE AND DIRECT SUNLIGHT.

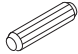
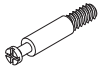

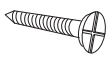



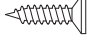

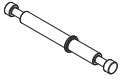

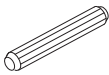
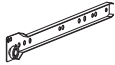
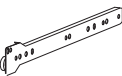





STORE IN A DRY PLACE.

FOR INDOOR AND DOMESTIC USE ONLY.

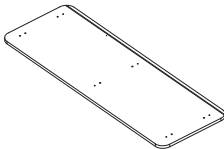
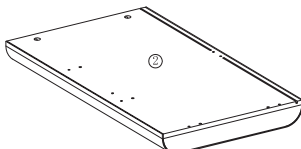

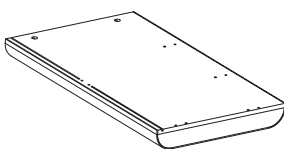

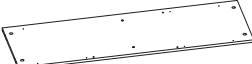
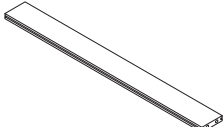
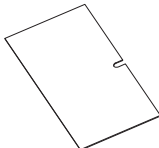
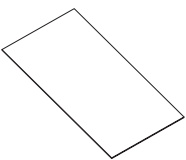
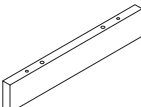
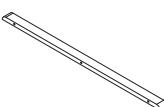
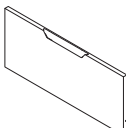
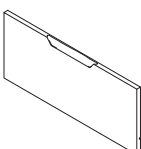
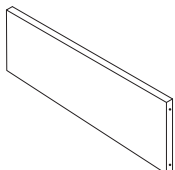
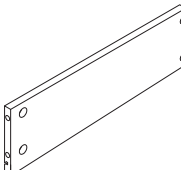
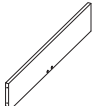
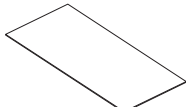
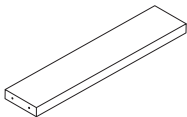
### **MAXIMUM SAFE LOAD:**

**25KG FOR TOP PANEL, 7KG FOR DRAWER.**

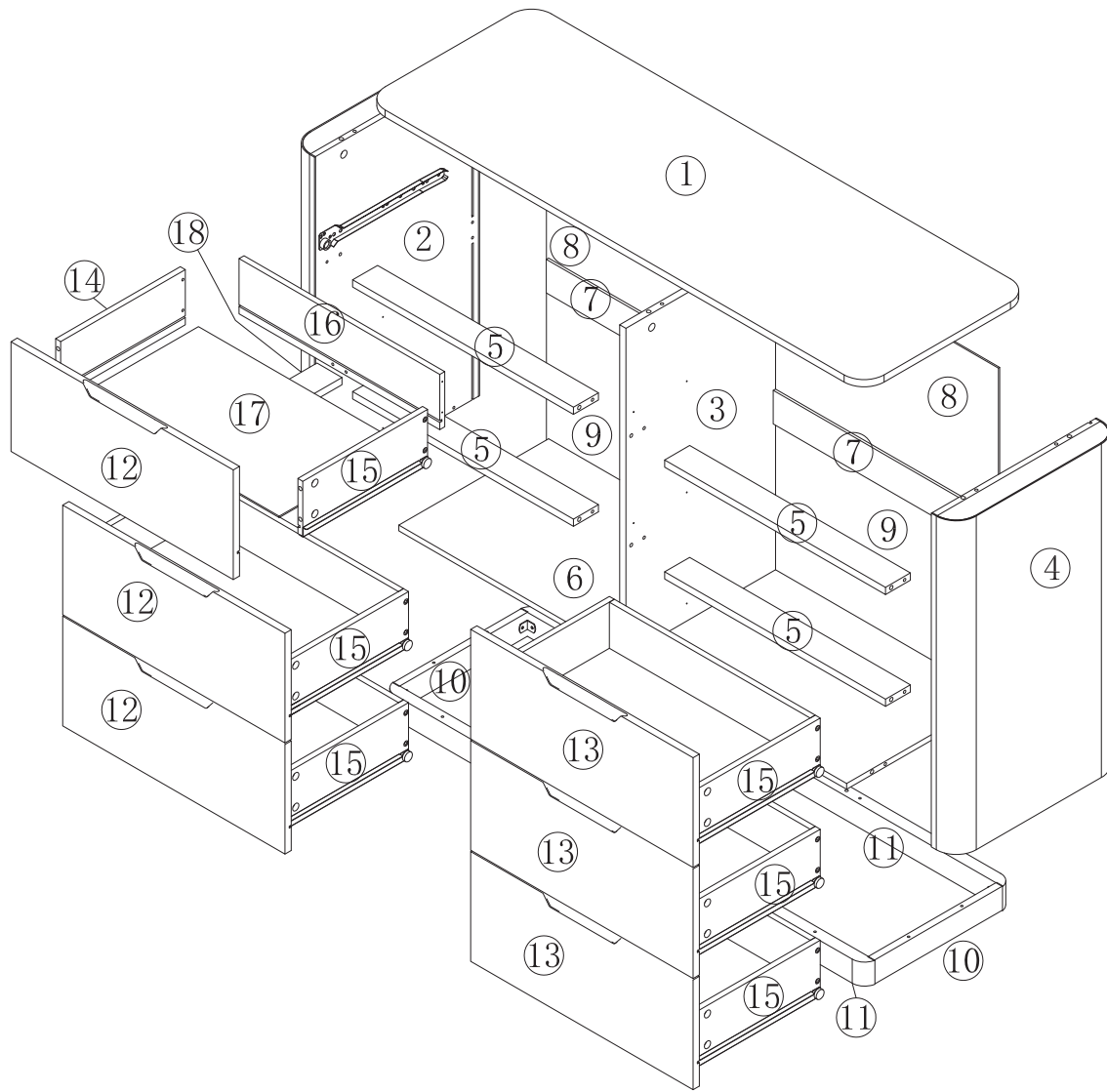
# 1 Hardware List

A		6X30mm	24	B		6X35mm	48	C		15X10mm	56	D		4X35mm	38
E		3X12mm	72	F		4X35mm	12	G		4X12mm	8	H		3X15mm	16
I			4	J			4	K			16	L		6X60mm	2
CL			6	CR			6	DL			6	DR			6
O			2	P			2	Q		25mm	4				

# 2 Parts List

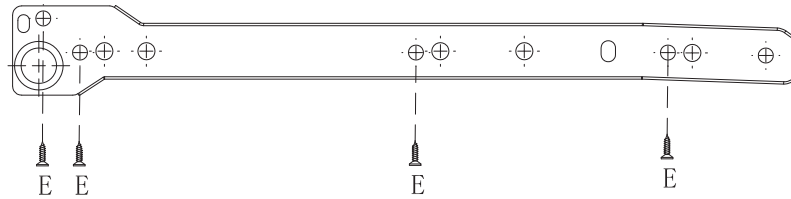
① /1PC	② /1PC	③ /1PC	④ /1PC
			
⑤ /4PCS	⑥ /1PC	⑦ /2PCS	⑧ /2PCS
			
⑨ /2PCS	⑩ /2PCS	⑪ /2PCS	⑫ /3PCS
			
⑬ /3PCS	⑭ /6PCS	⑮ /6PCS	⑯ /6PCS
			
⑰ /6PCS	⑱ /6PCS		
			

# PANEL LAYOUT

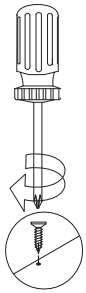
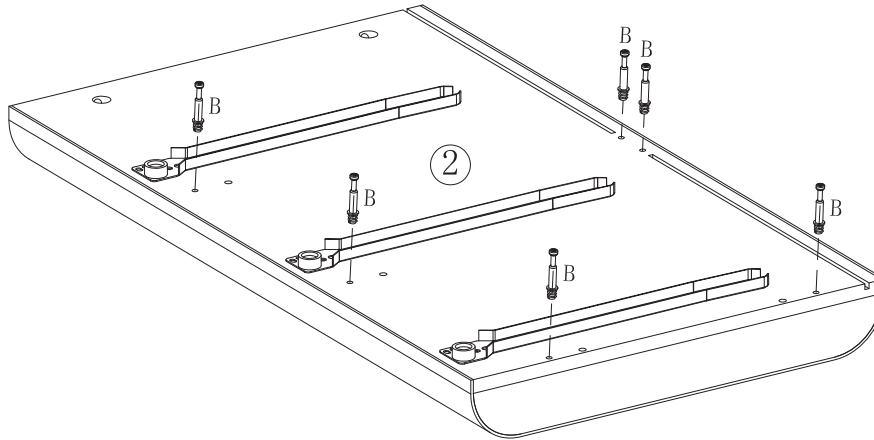


# STEP 1

## CLx3

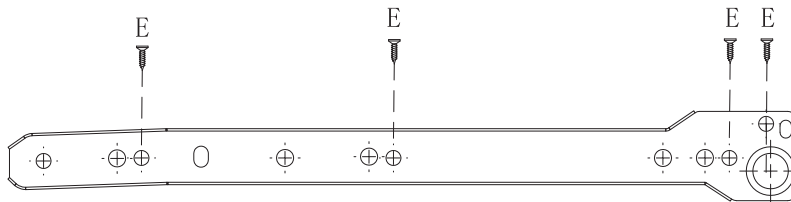


- B - X6
- E - X12
- CL - X3

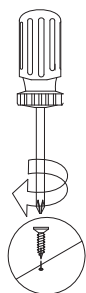
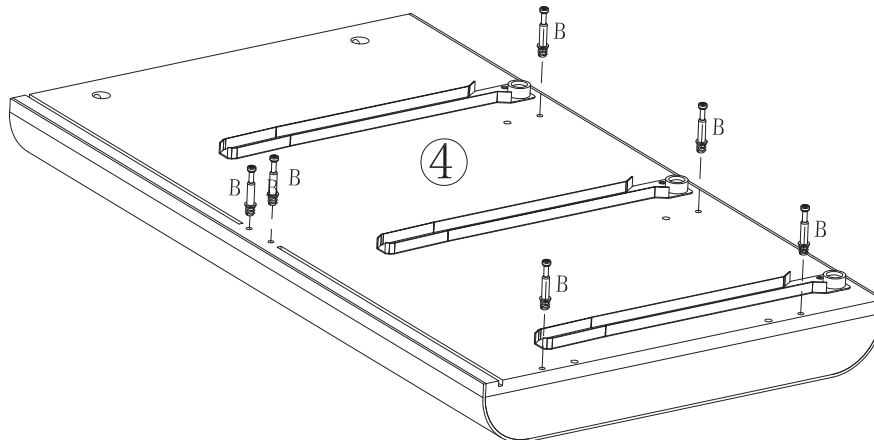


# STEP 2



## CRx3

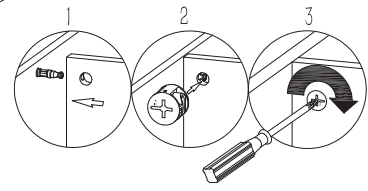
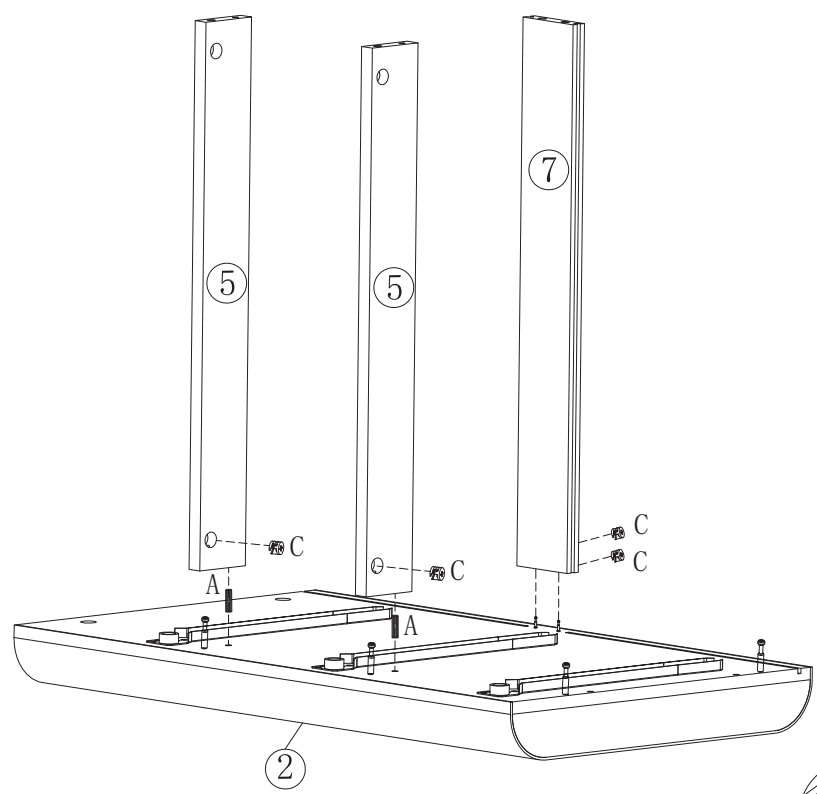
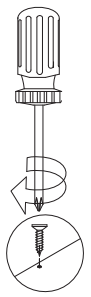


- B - X6
- E - X12
- CR - X3





### STEP 3

- C -  X4
- A -  X2

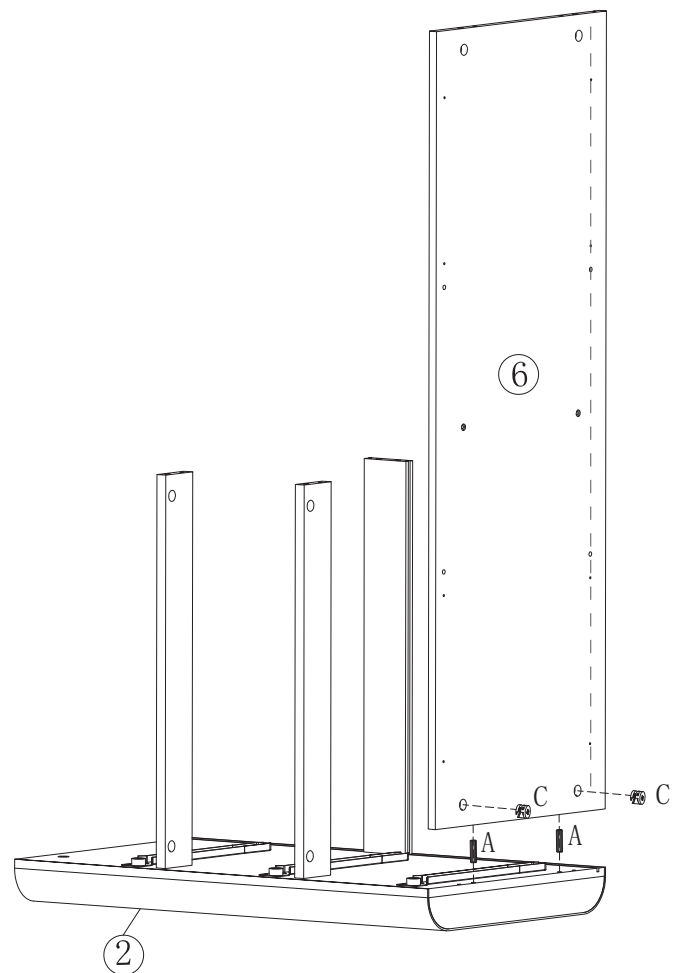


### STEP 4

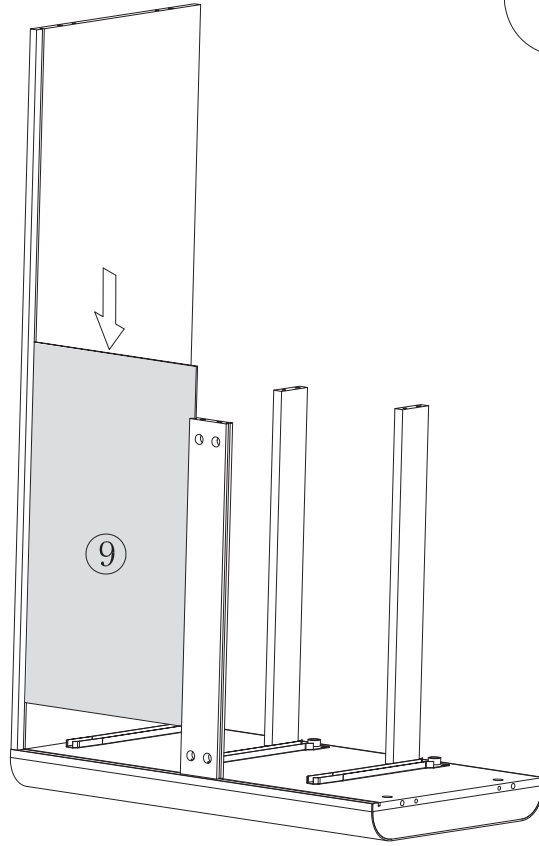
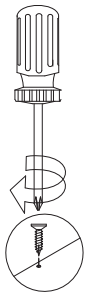
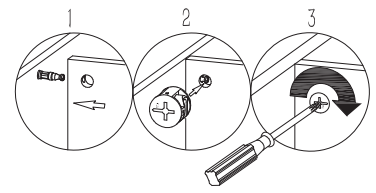
- C -  X2
- A -  X2



2-PERSON ASSEMBLY

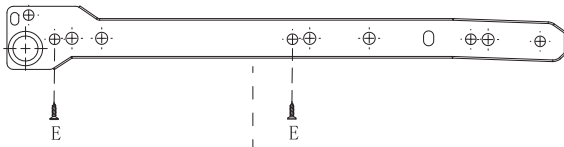


# STEP 5

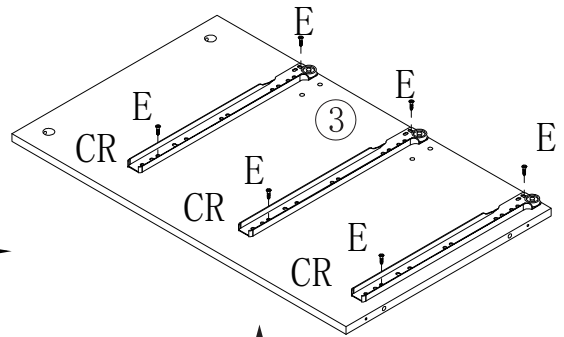
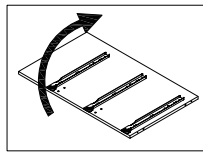
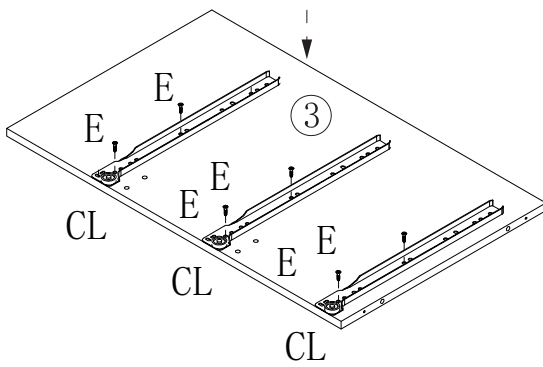


# STEP 6

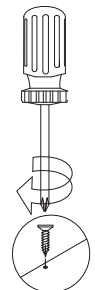
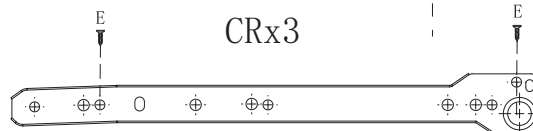
CLx3



- E - X12
- CL - X3
- CR - X3

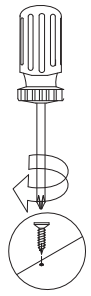
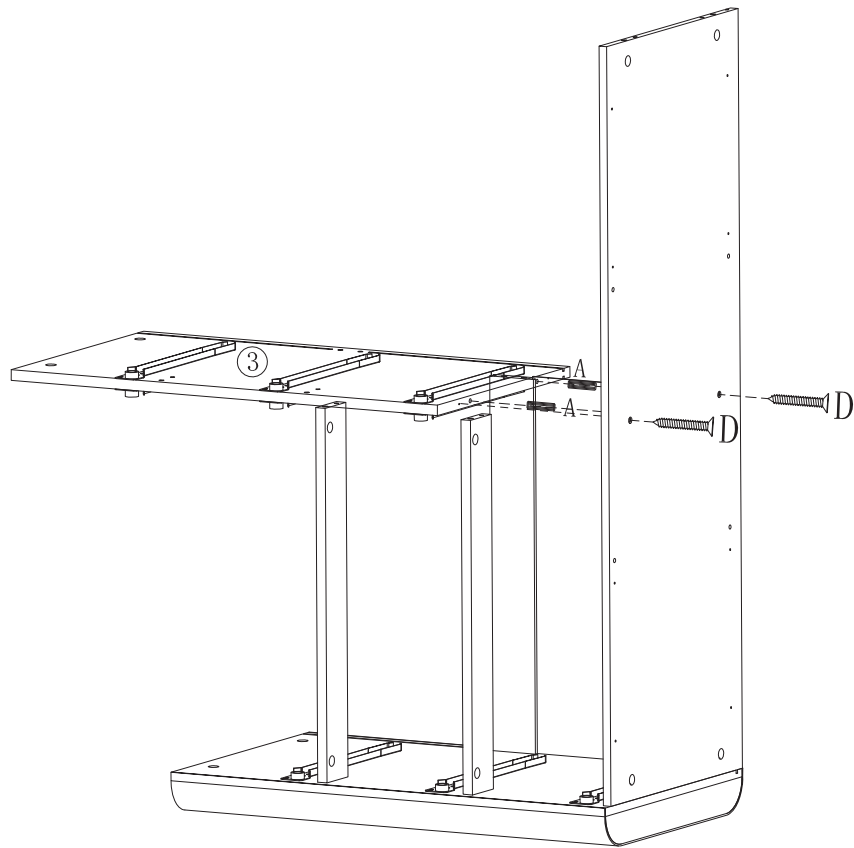


CRx3






# STEP 7

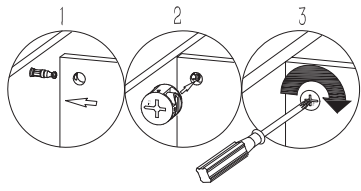
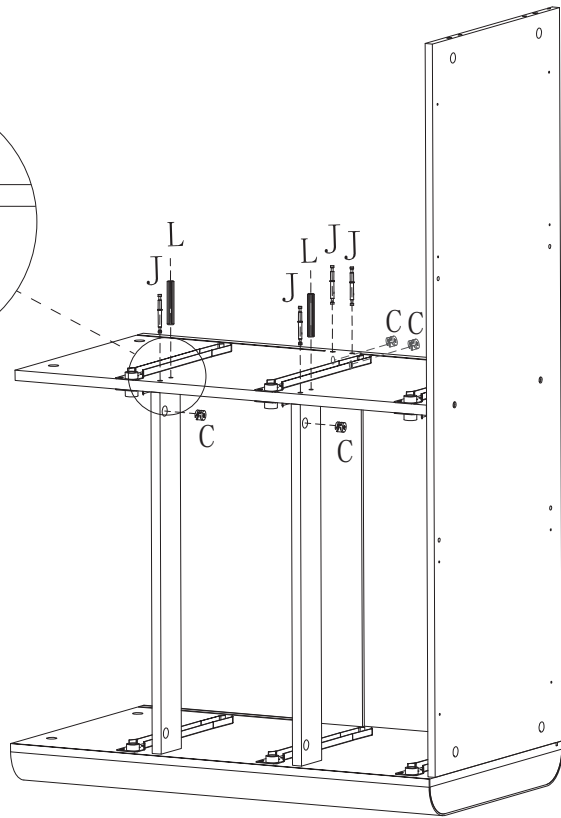
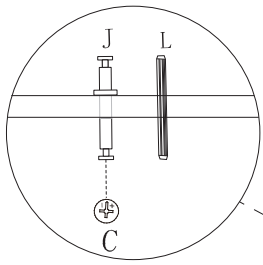
D -  X2



2-PERSON ASSEMBLY

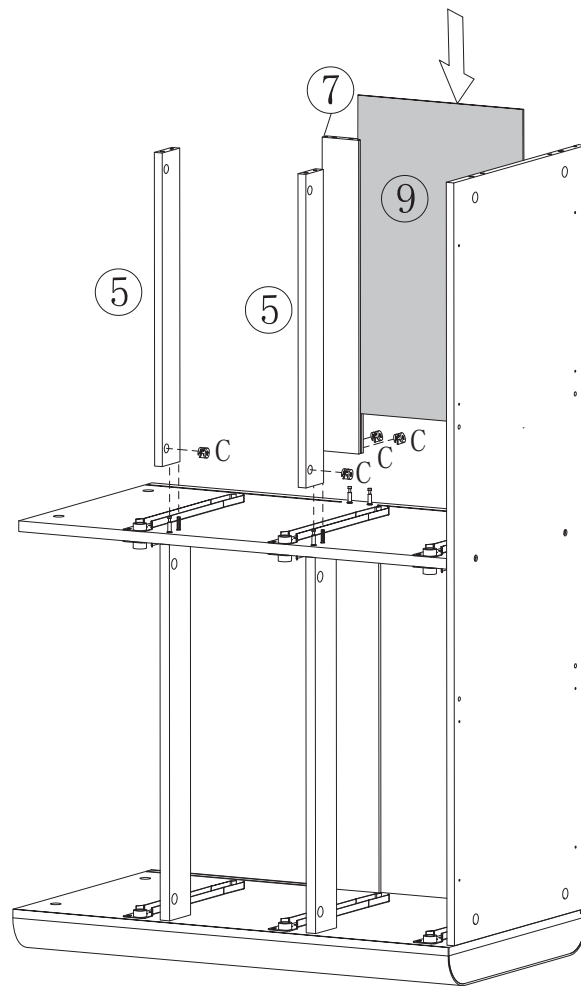
# STEP 8

L -  X2  
J -  X4  
C -  X4

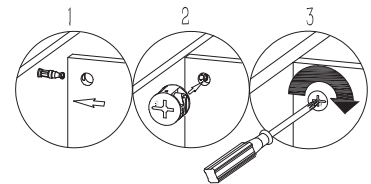


2-PERSON ASSEMBLY

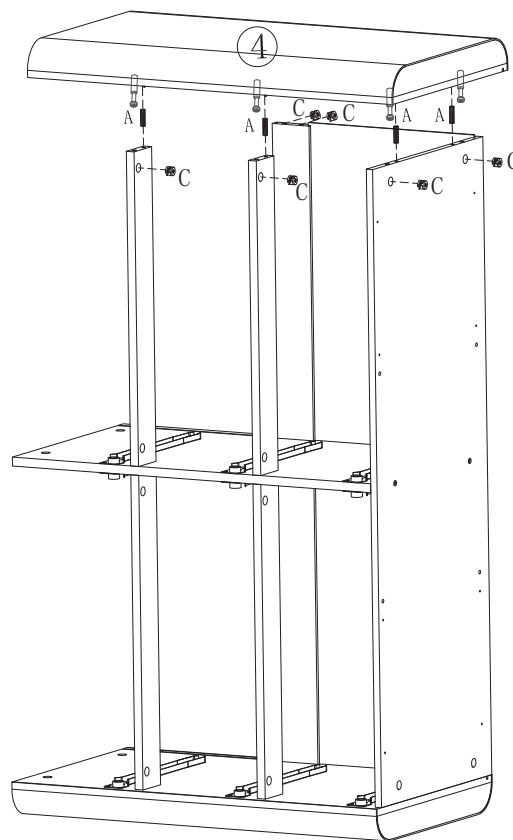
# STEP 9





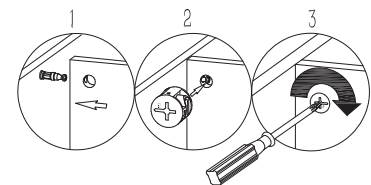
C -  X4



# STEP 10

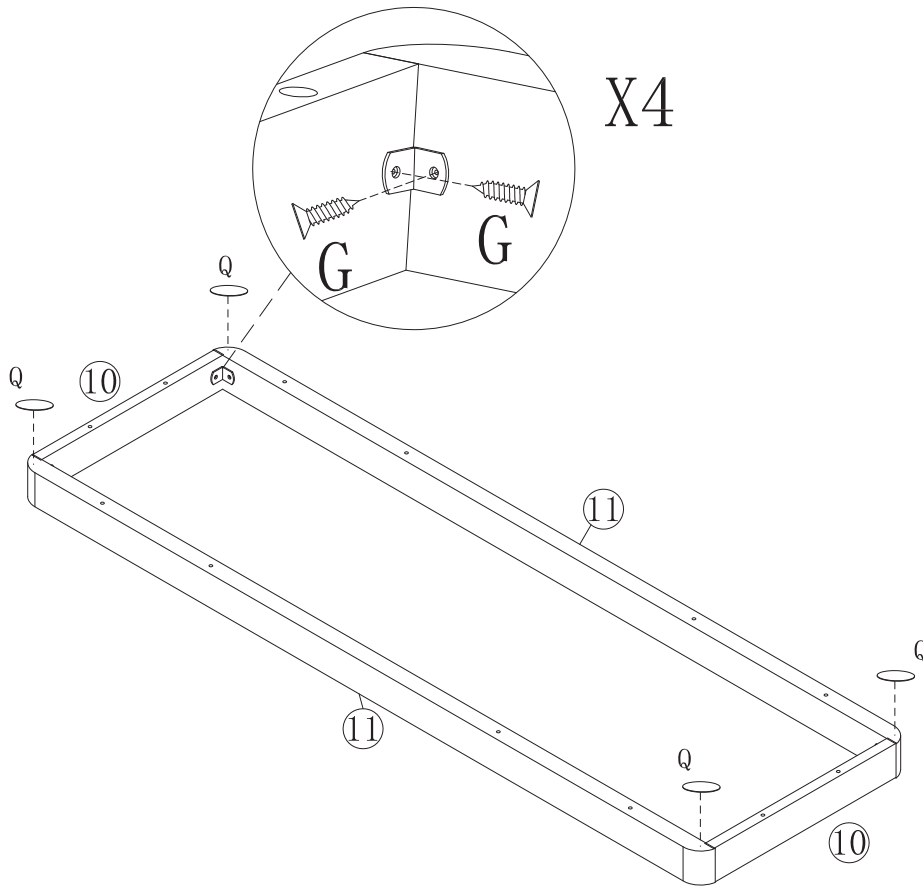


A -  X4  
C -  X6



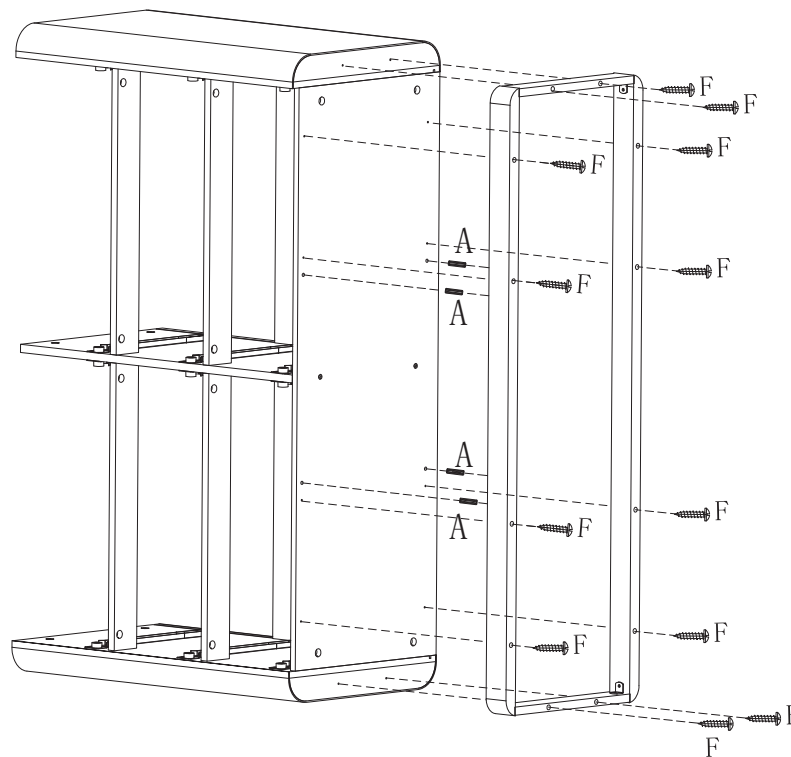
2-PERSON ASSEMBLY

# STEP 11





G -		X8
I -		X4
Q -		X4

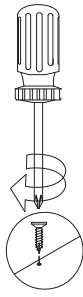
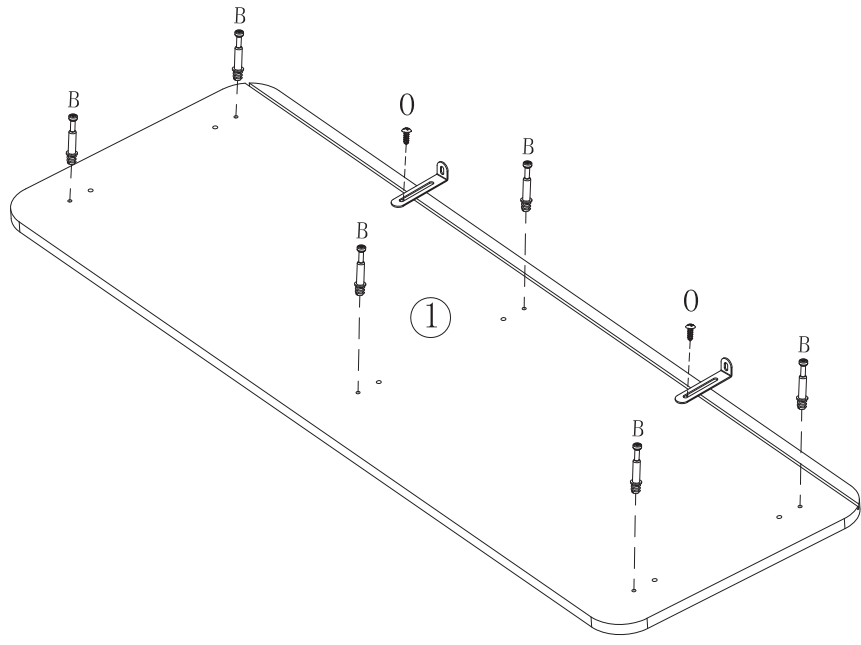
# STEP 12





F -		X12
A -		X4

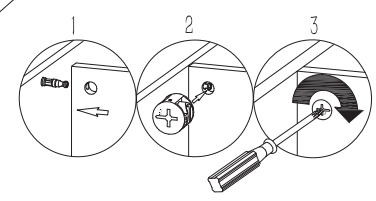
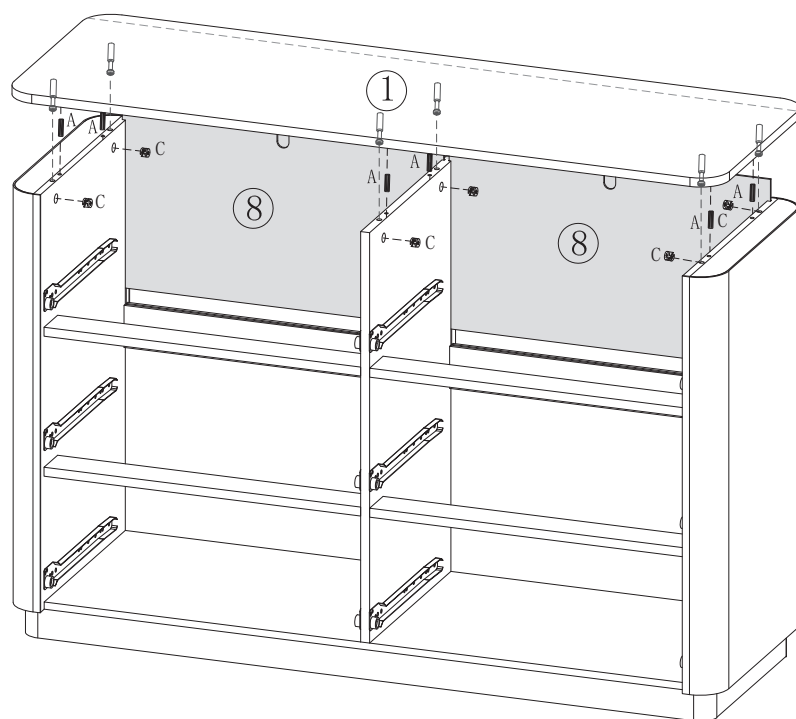
# STEP 13

- B -  X6
- O -  X2

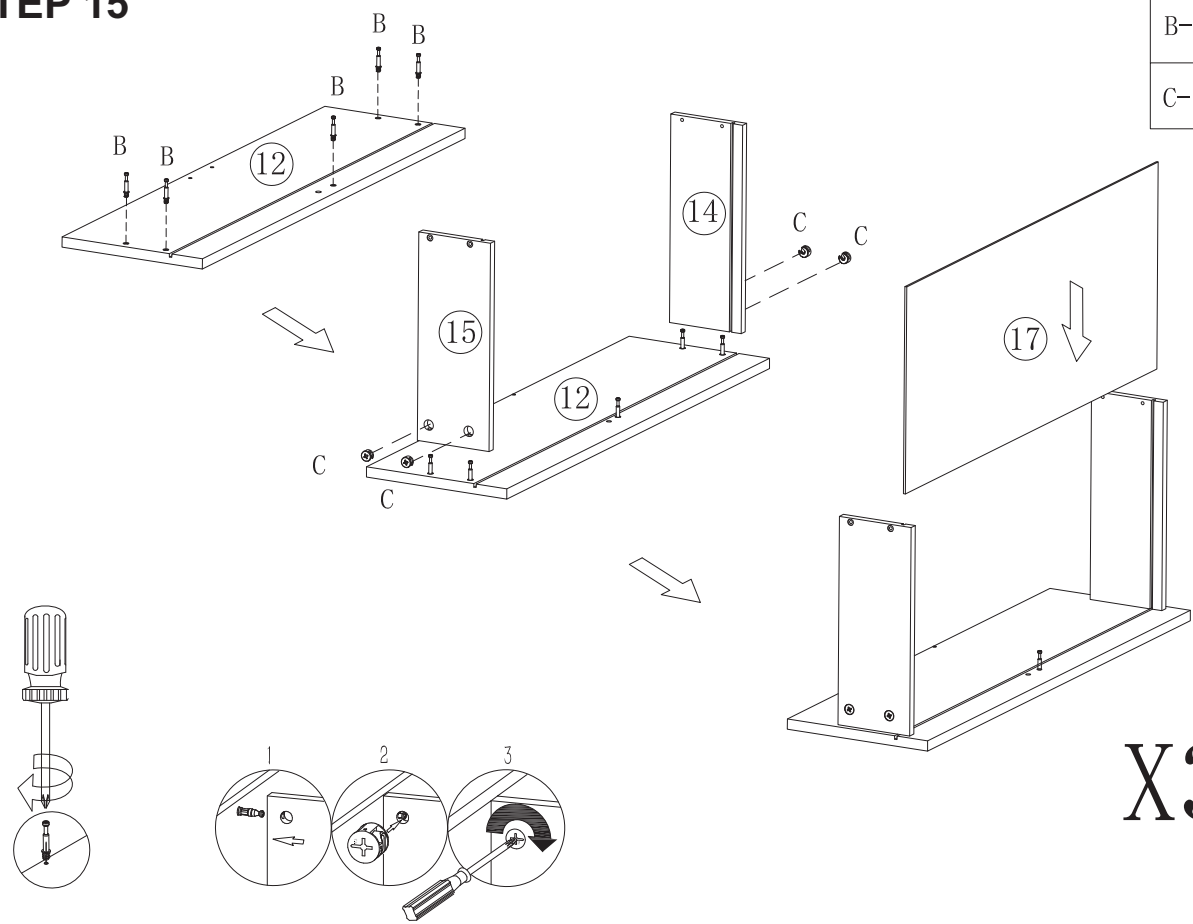


# STEP 14

- A -  X6
- C -  X6



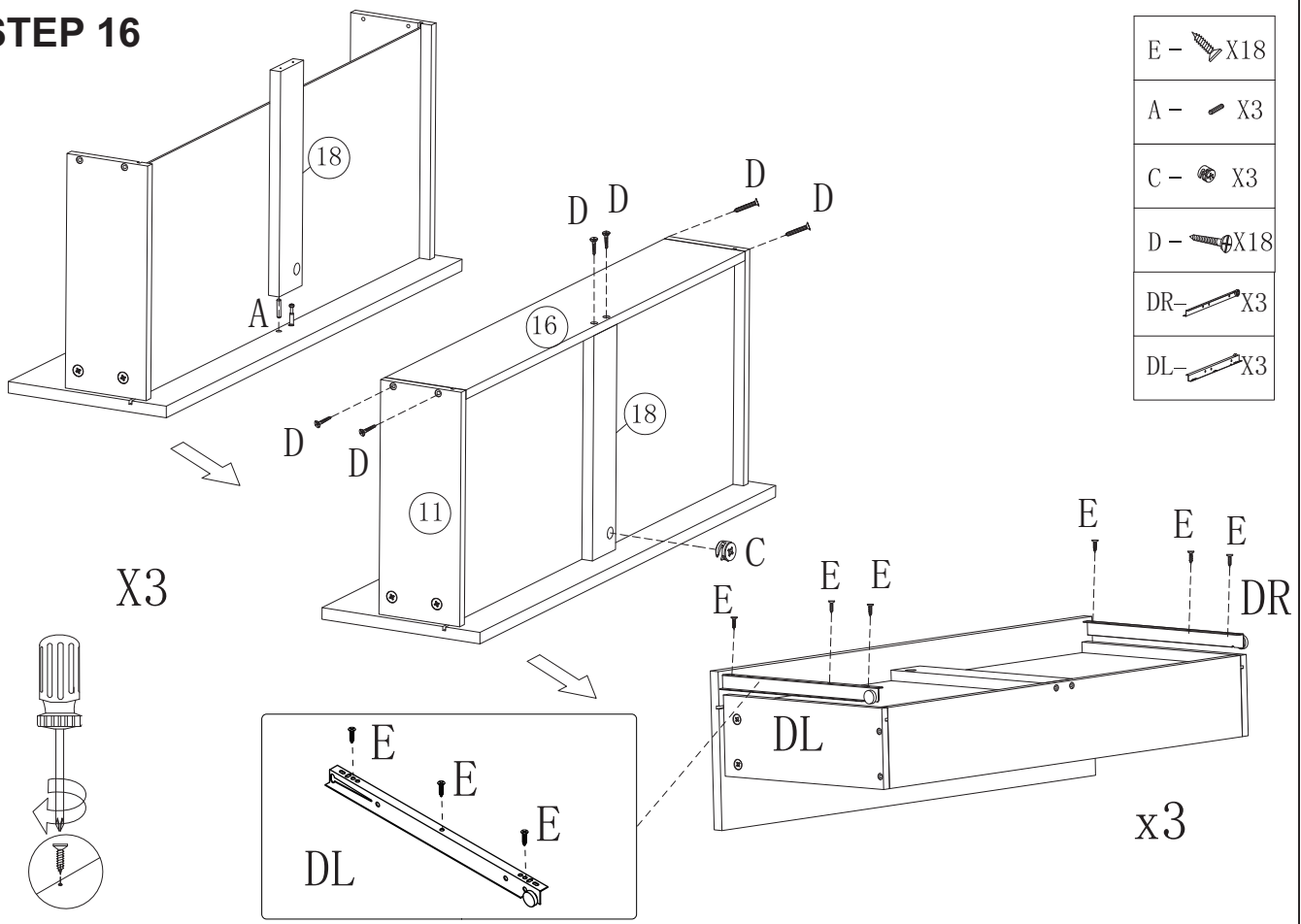
# STEP 15



- B - X15
- C - X12

X3

# STEP 16

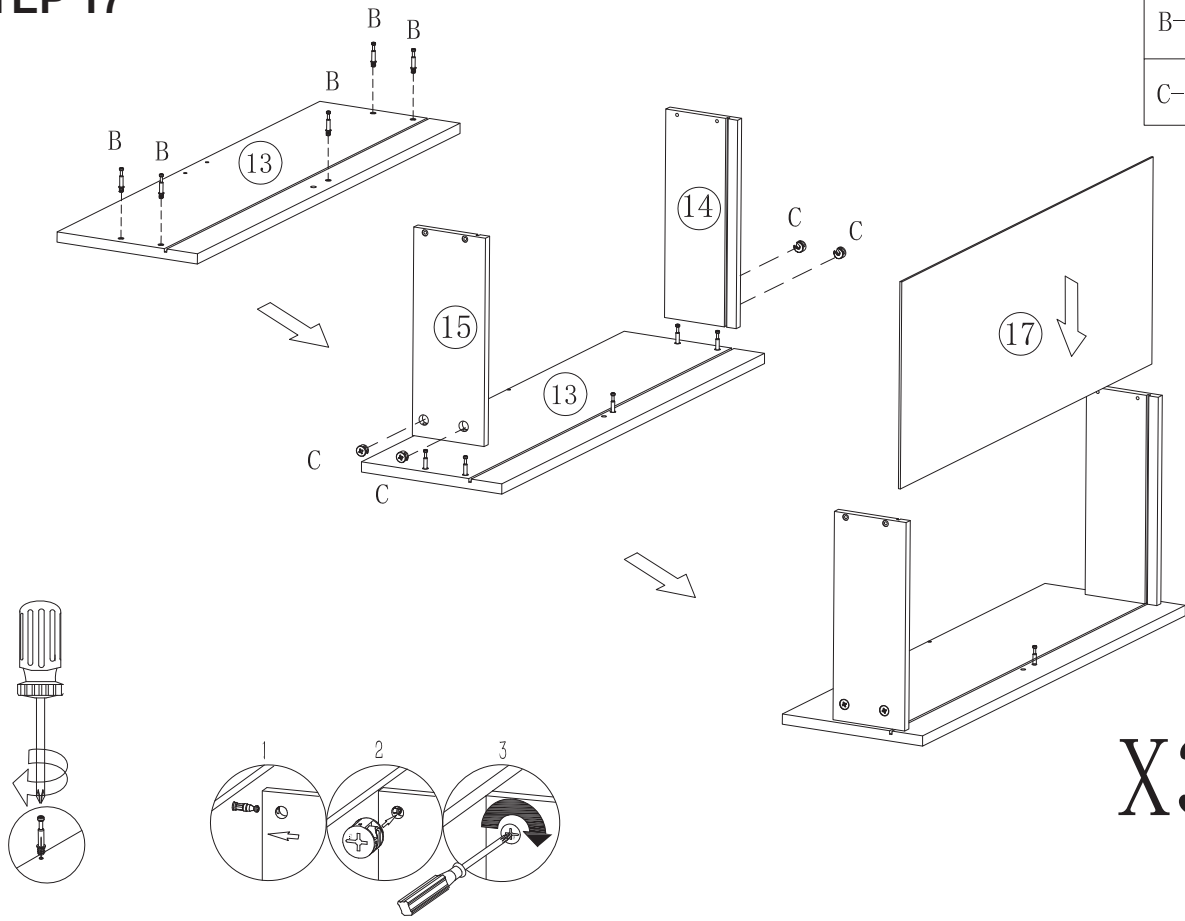


- E - X18
- A - X3
- C - X3
- D - X18
- DR - X3
- DL - X3

X3

x3

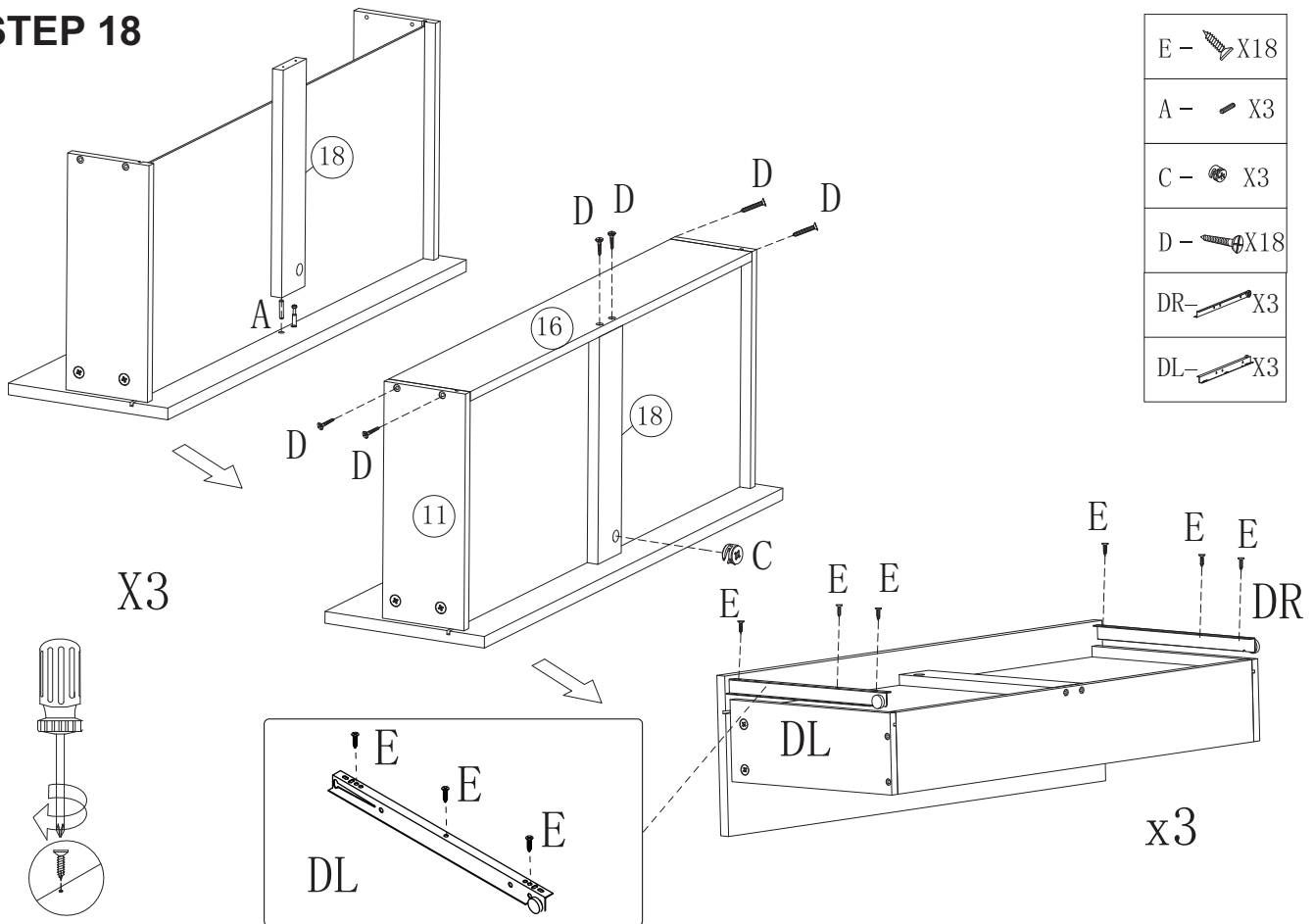
# STEP 17



- B - X15
- C - X12

X3

# STEP 18

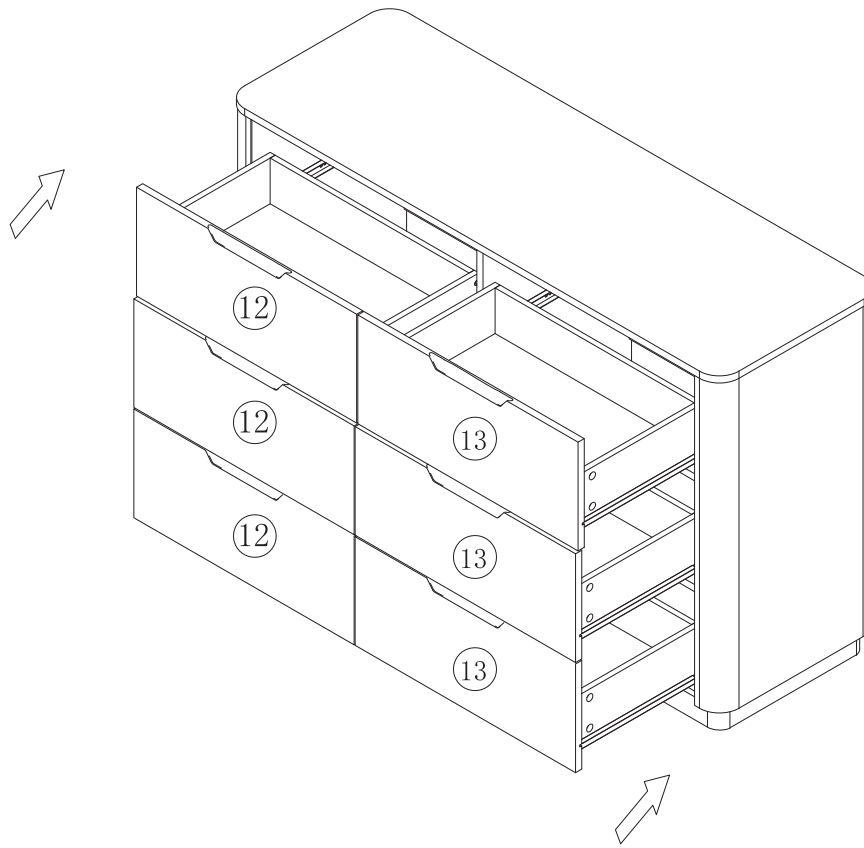


- E - X18
- A - X3
- C - X3
- D - X18
- DR - X3
- DL - X3

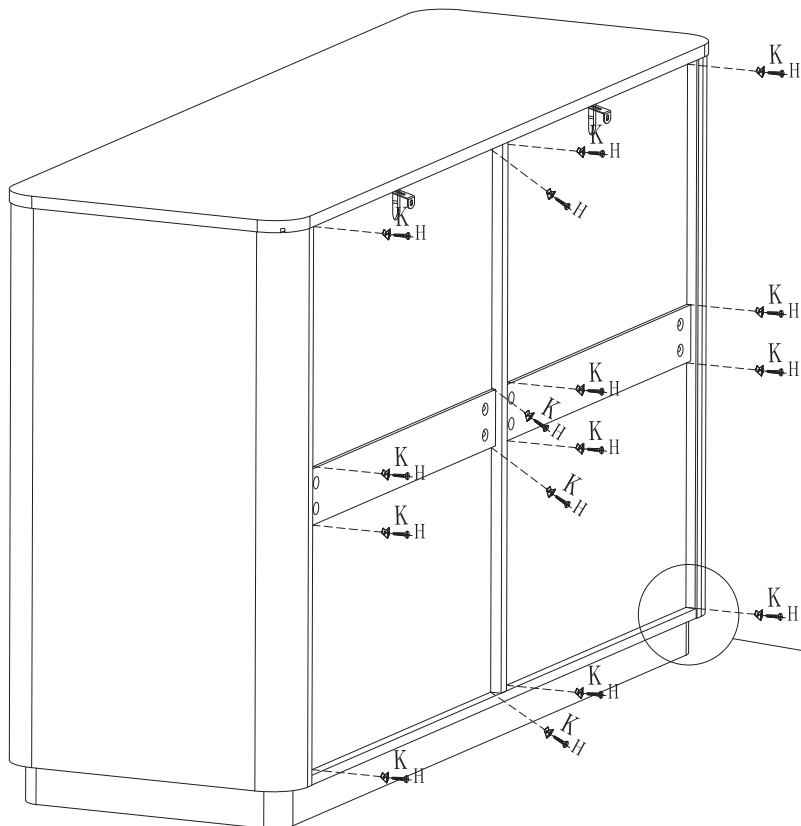
X3



x3

# STEP 19




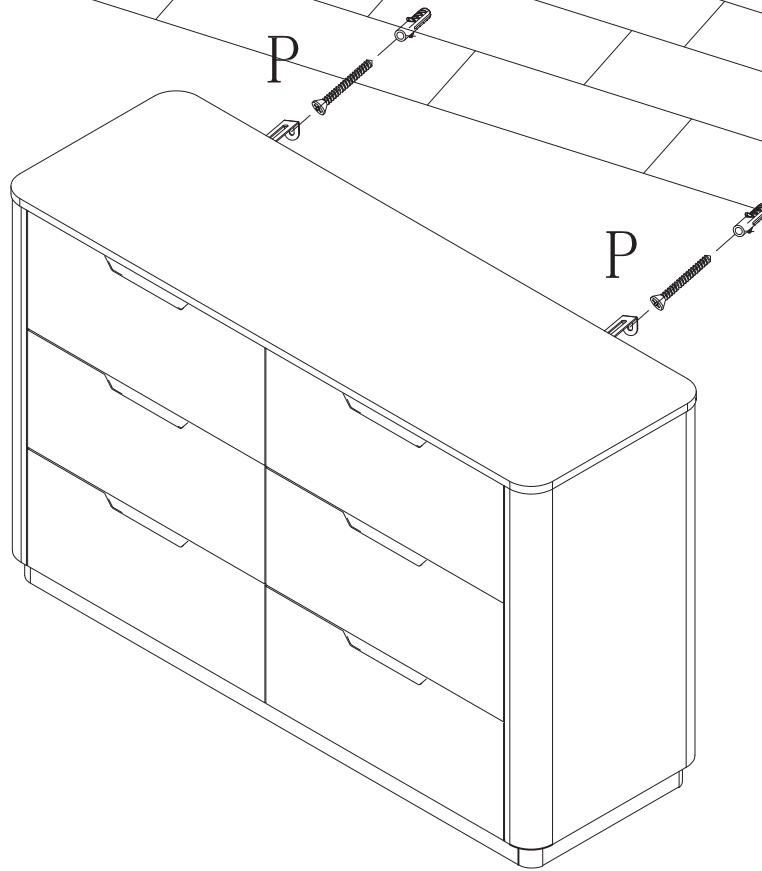
# STEP 20



- K -  X16
- H -  X6

# STEP 21

P -  X2



### TOPPLING FURNITURE WARNING:

- **ALWAYS secure it with an anchor device.**
- **Please seek professional advice if you are in doubt of what fixing device to use.**
- **Regularly check that anchors are securely maintained.**
- **Use safety drawer locks to prevent children climbing.**
- **Stability of tall items may be affected by thick pile carpet or uneven floors .**
- **Do not place unanchored televisions on furniture .**

<b>⚠ WARNING</b>	
	
<p><b>Children have died from furniture tipover.</b></p> <ul style="list-style-type: none"> <li>• ALWAYS secure it with an anchor device.</li> <li>• NEVER allow children to stand, climb or hang on drawers, doors, or shelves.</li> <li>• NEVER open more than one drawer at a time.</li> <li>• Place heavy items down low.</li> </ul>	
<p><b>NEVER put a TV on this furniture</b></p> 	
<p><b>This is a permanent label. Do not remove!</b></p>	

**CAUTION:** for your safety when attaching the anchor fixings, please note the following:

- **Check any electrical wires or plumbing inside the wall before drilling any holes (if you are unsure please seek professional advice from a qualified tradesperson).**



WARNING: PLEASE SECURE YOUR FURNITURE WITH THE SUPPLIED WALL FIXING. SCAN THE CODE FOR MORE INFORMATION.

