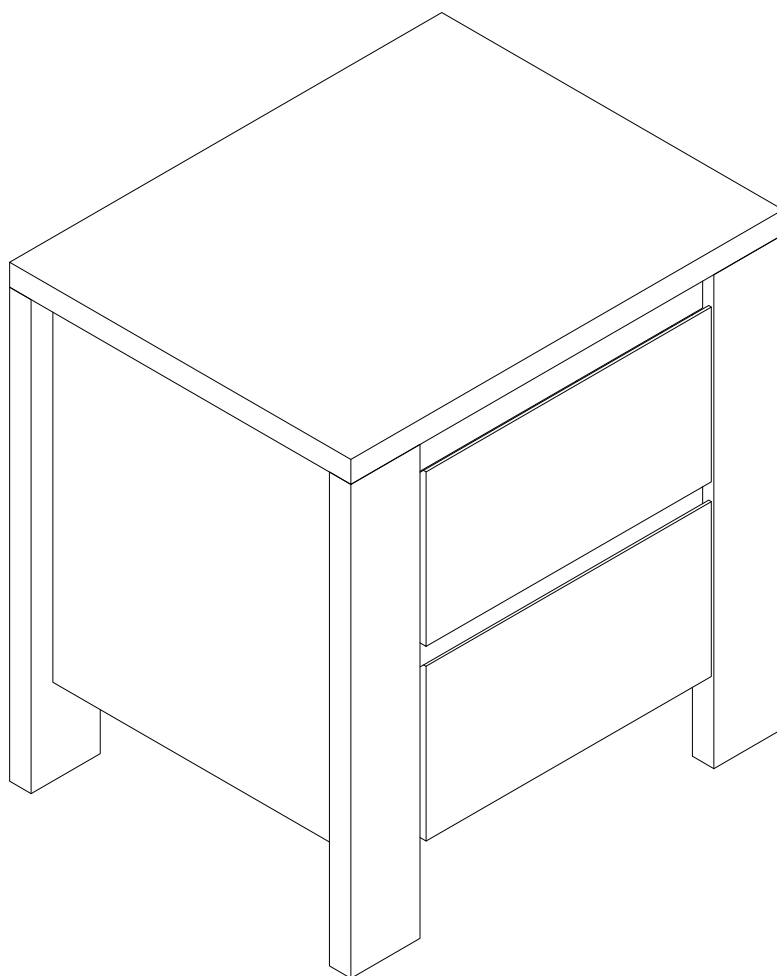


# TIDE 2 DRAWER BEDSIDE TABLE

## Instruction Manual



The photos and illustrations shown in this instruction manual are generic.  
The manufacturer reserves the right to change any specification or feature without prior notice.

**IMPORTANT: KEEP FOR FUTURE REFERENCE. READ CAREFULLY.**

# Assembly Instructions

K:43708932 | T:72433973 TIDE 2 DRAWER BEDSIDE TABLE

## **WARNING:**

DO NOT STAND, SIT OR LEAN ON THIS UNIT.

DO NOT USE THIS UNIT AS A STEP LADDER OR AS A CHOPPING SURFACE.

KEEP AWAY FROM CHILDREN AND BABIES.

ADULT ASSEMBLY REQUIRED.

USE ONLY ON A FLAT SURFACE.

DO NOT USE THIS UNIT UNLESS ALL BOLTS AND SCREWS ARE FIRMLY SECURED.

## **CARE INSTRUCTIONS:**

TO BE ASSEMBLED ON A CLEAN, DRY AND SMOOTH SURFACE.

WIPE CLEAN WITH A SOFT DAMP CLOTH.

NEVER USE SCOURERS, ABRASIVES OR CHEMICAL SOLVENTS.

CHECK AND TIGHTEN ALL PARTS REGULARLY.

KEEP AWAY FROM MOISTURE AND DIRECT SUNLIGHT.

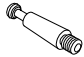



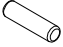



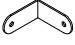




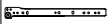
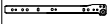


STORE IN A DRY PLACE.

FOR INDOOR AND DOMESTIC USE ONLY.

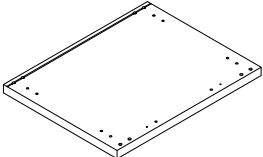
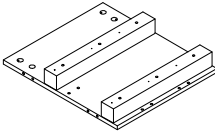
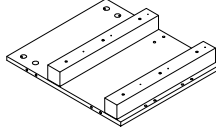
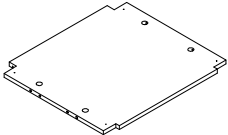

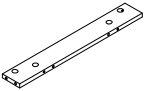
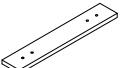
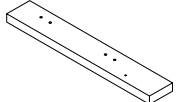
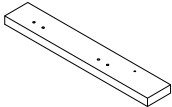
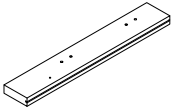
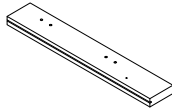
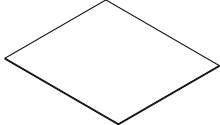
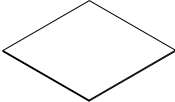
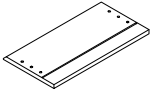
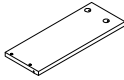
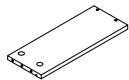
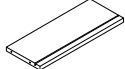
## **MAXIMUM SAFE LOAD:**

**10KG FOR TOP PANEL, 5KG FOR DRAWER.**

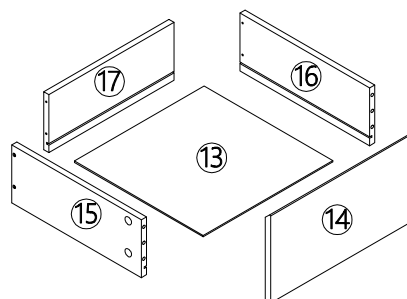
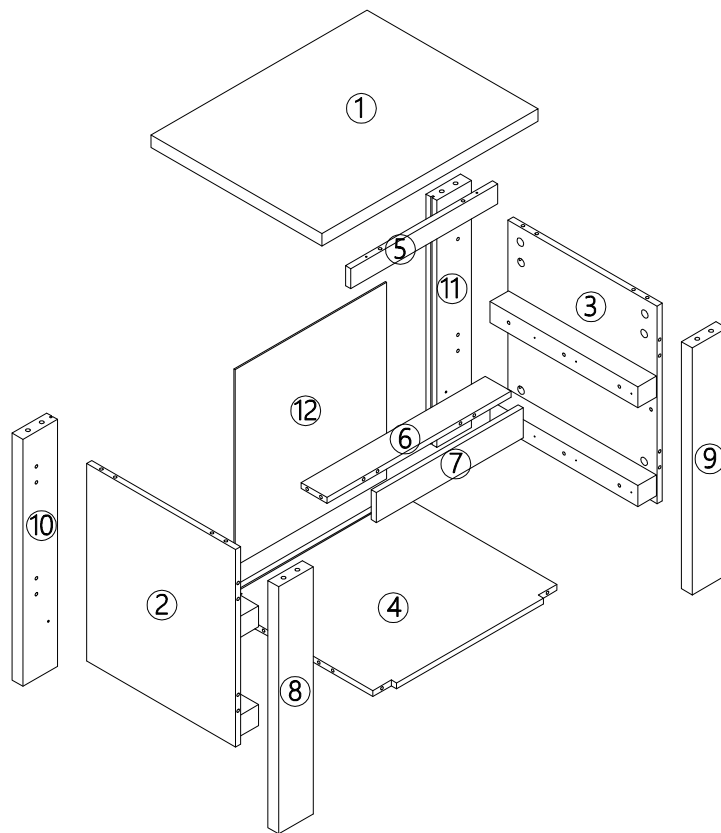
# 1 Hardware List

A		M6x35mm	28pcs	B		Ø15x9mm	28pcs	C		Ø6x30mm	26pcs	D		M4x35mm	10pcs
E		Ø8x30mm	8pcs	F		M3x12mm	24pcs	G			4pcs	H		M3x16mm	4pcs
I			4pcs	J		M4x12mm	8pcs	K			1set	L			1set
M			4pcs	CL			2pcs	CR			2pcs	DL			2pcs
DR			2pcs												

# 2 Parts List

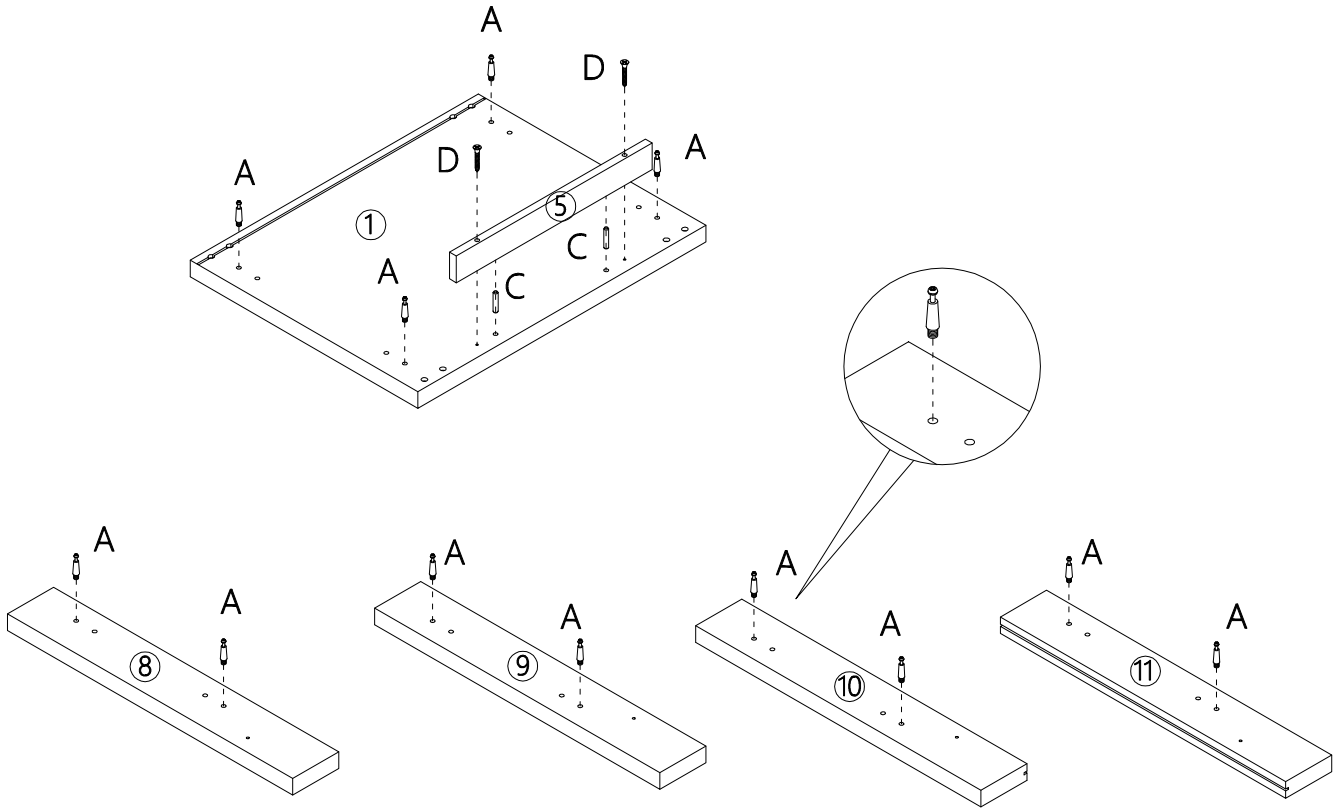
			
①	1PC	②	1PC
			
⑤	1PC	⑥	1PC
			
⑨	1PC	⑩	1PC
			
⑬	2PCS	⑭	2PCS
			
⑰	2PCS		

# PANEL LAYOUT



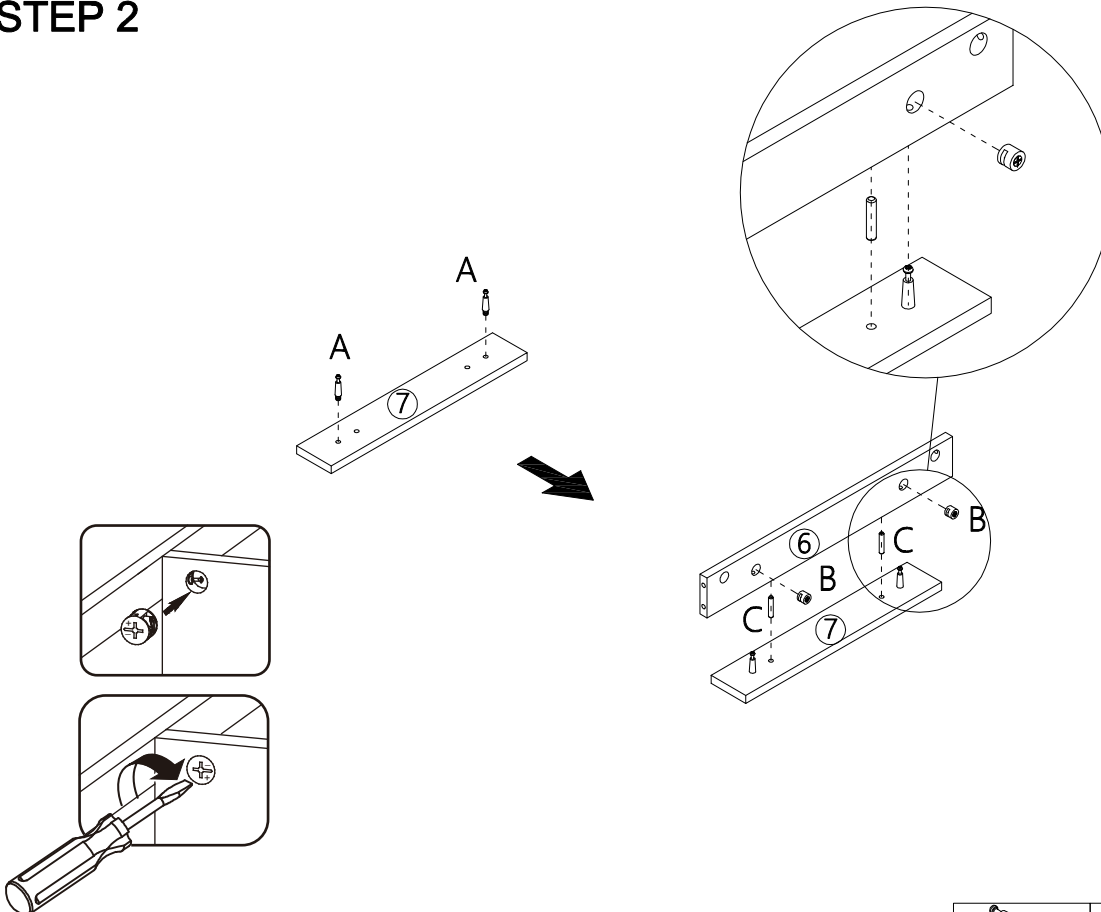
**x 2**


# STEP 1



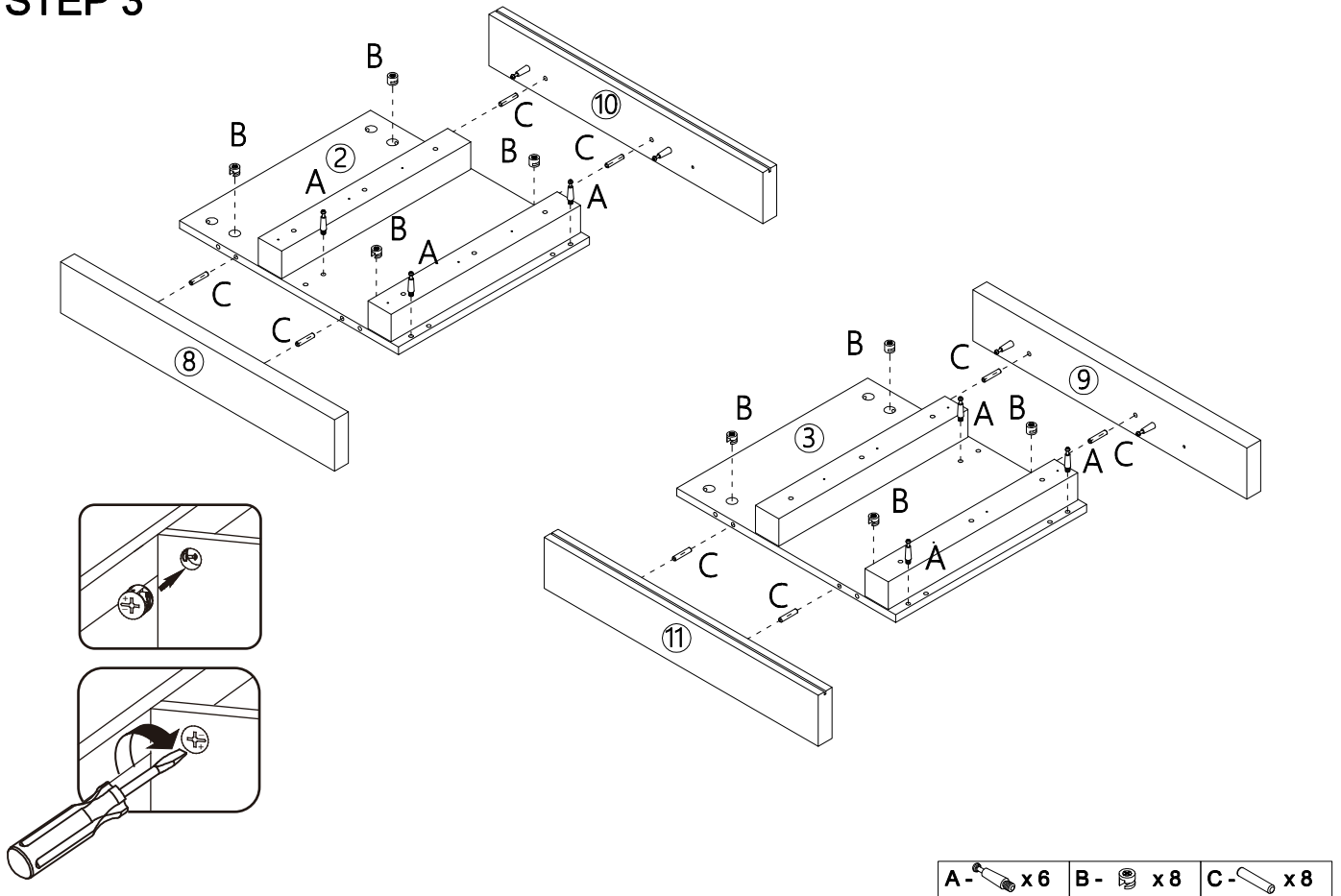
A -  x12   C -  x2   D -  x2

# STEP 2

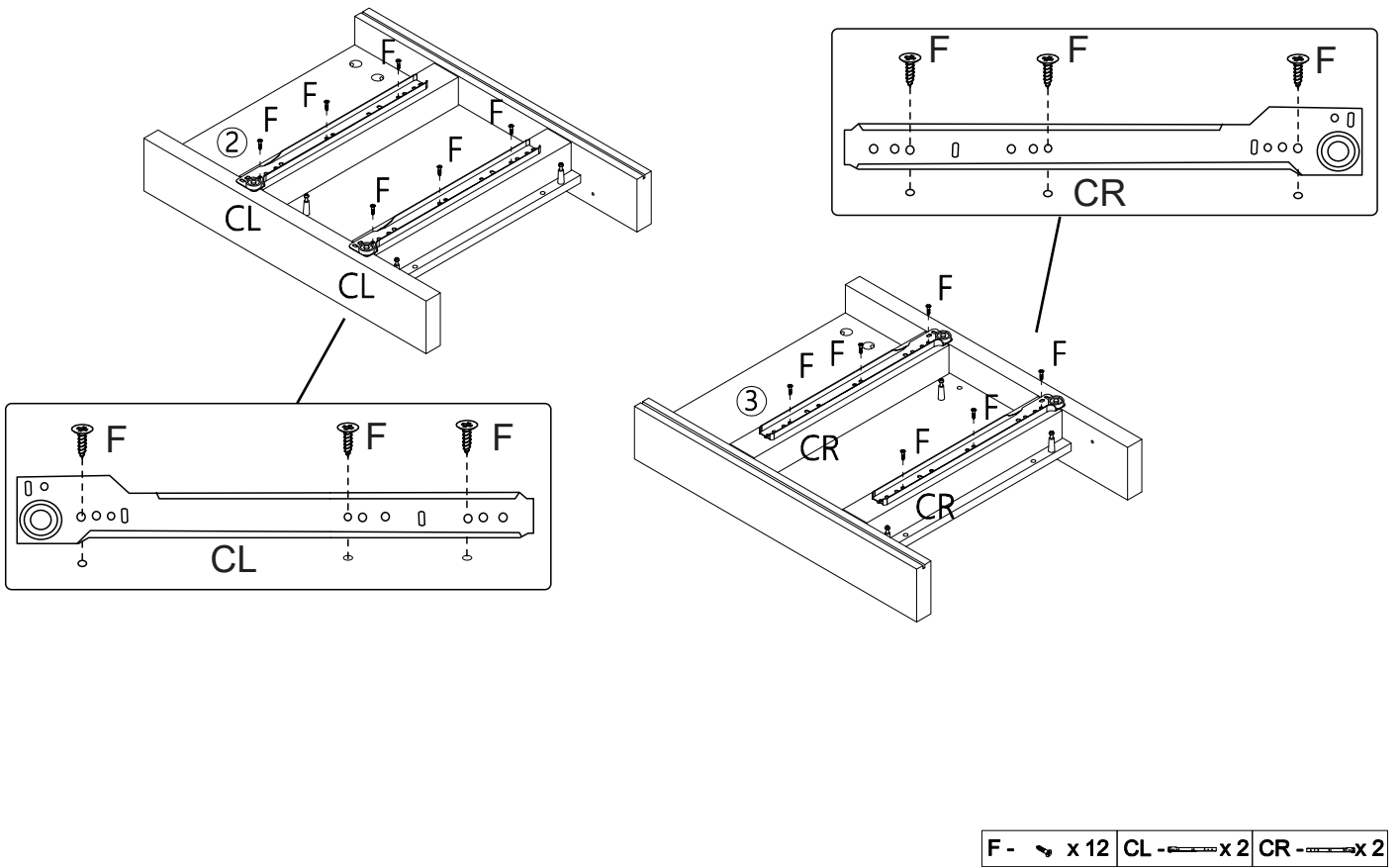


A -  x2   B -  x2   C -  x2

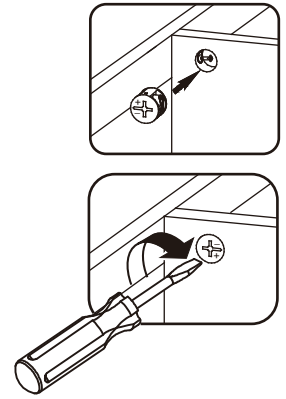
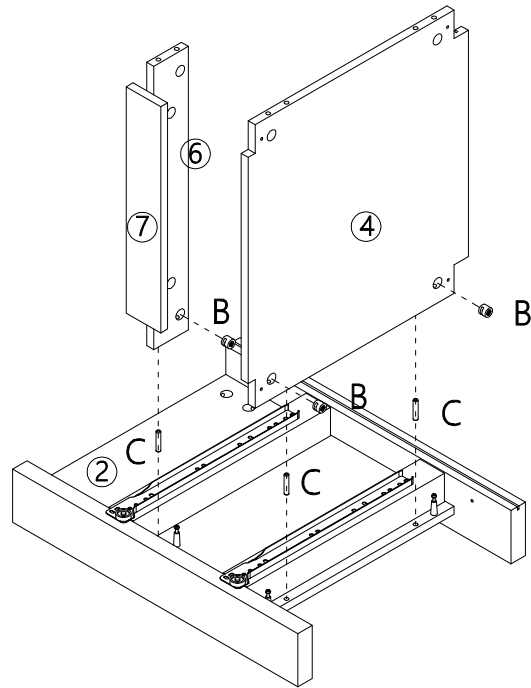
### STEP 3


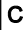


### STEP 4

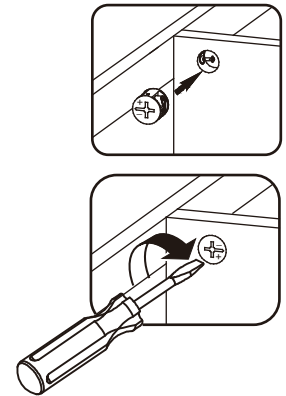
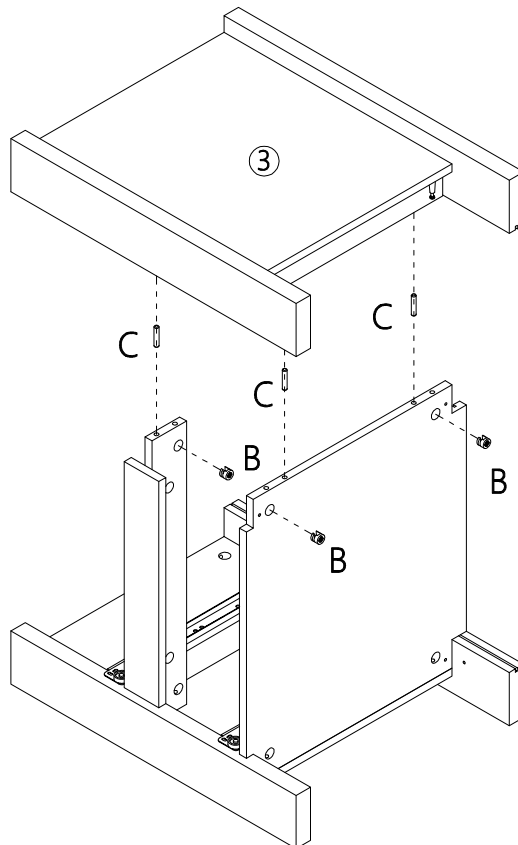




## STEP 5



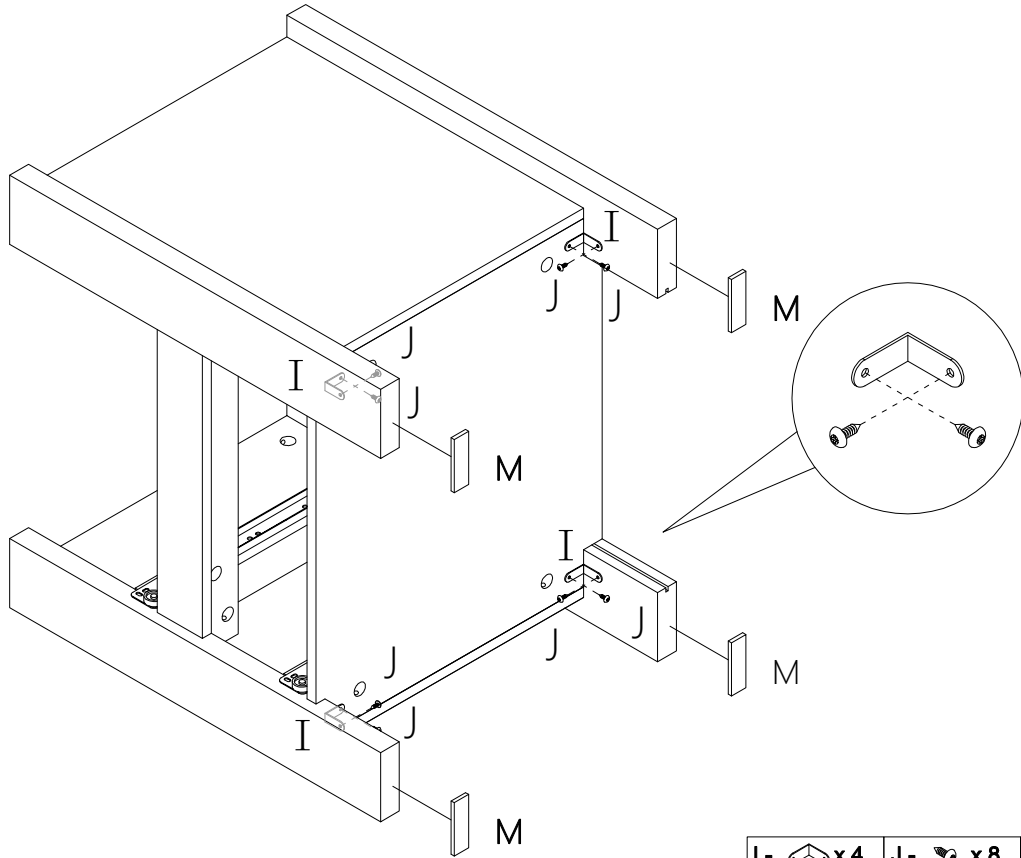
B -  x3 C -  x3

## STEP 6

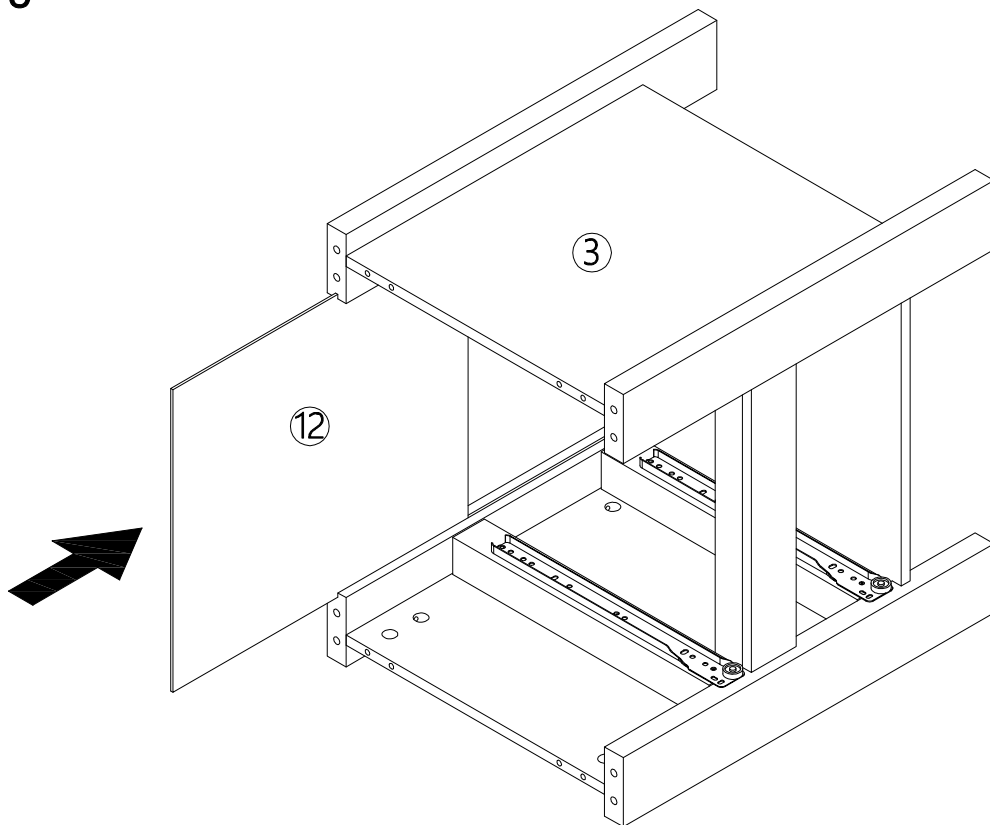


B -  x3 C -  x3

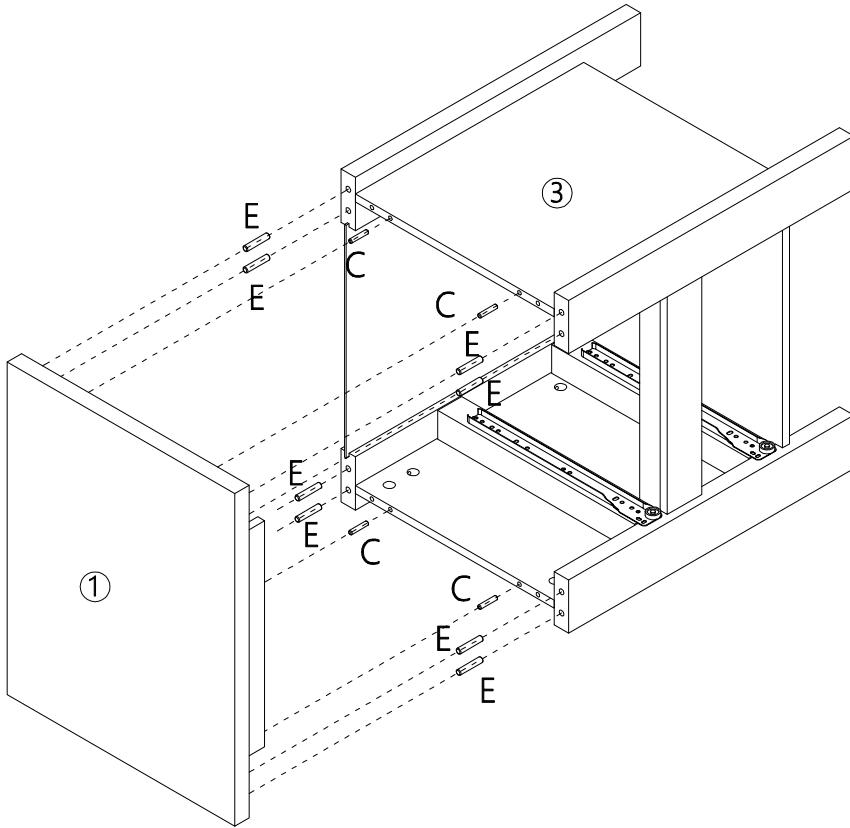
## STEP 7



## STEP 8

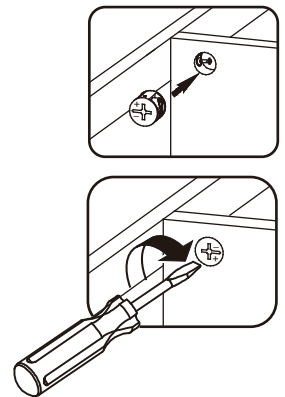
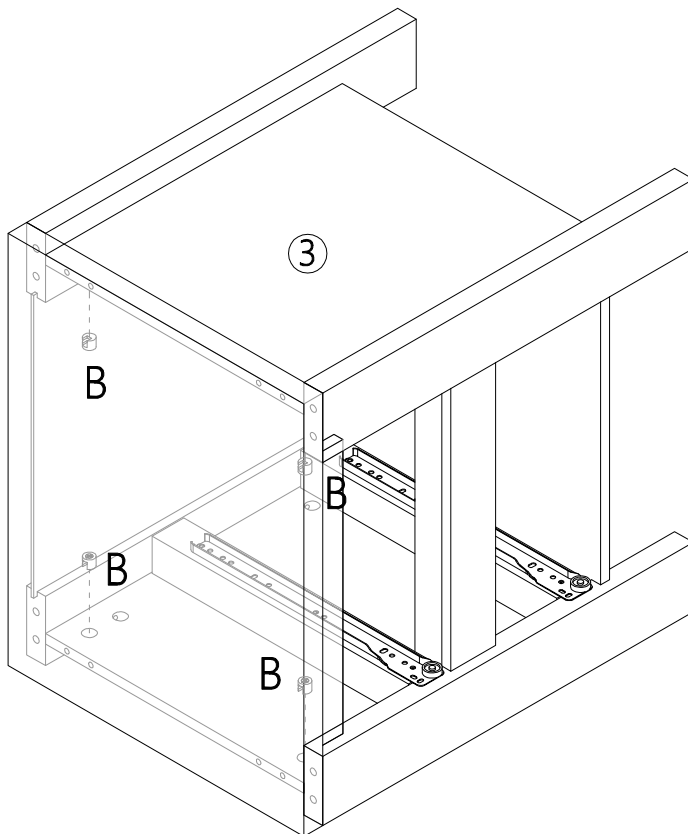



# STEP 9



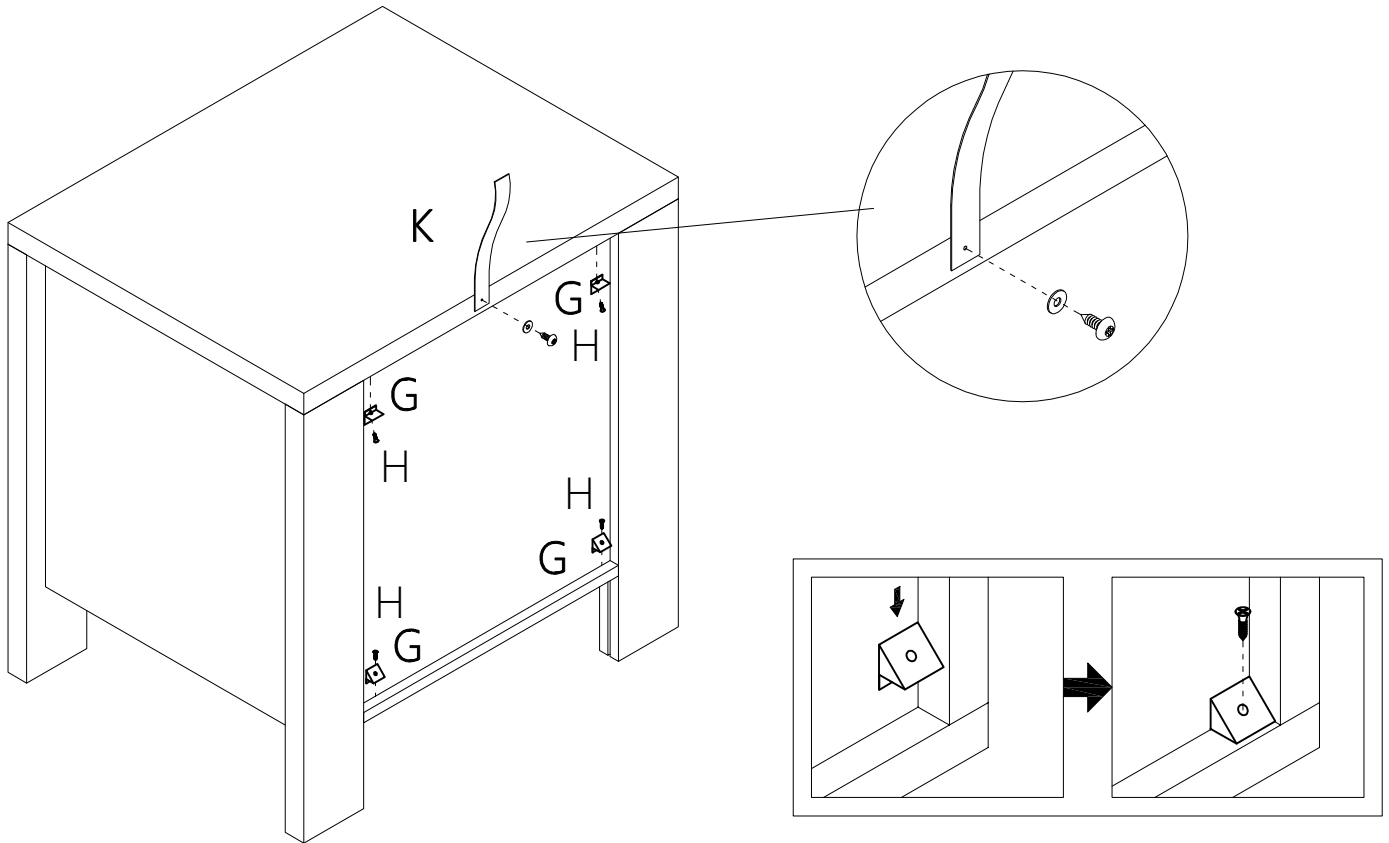
C -  x4    E -  x8

# STEP 10



B -  x4

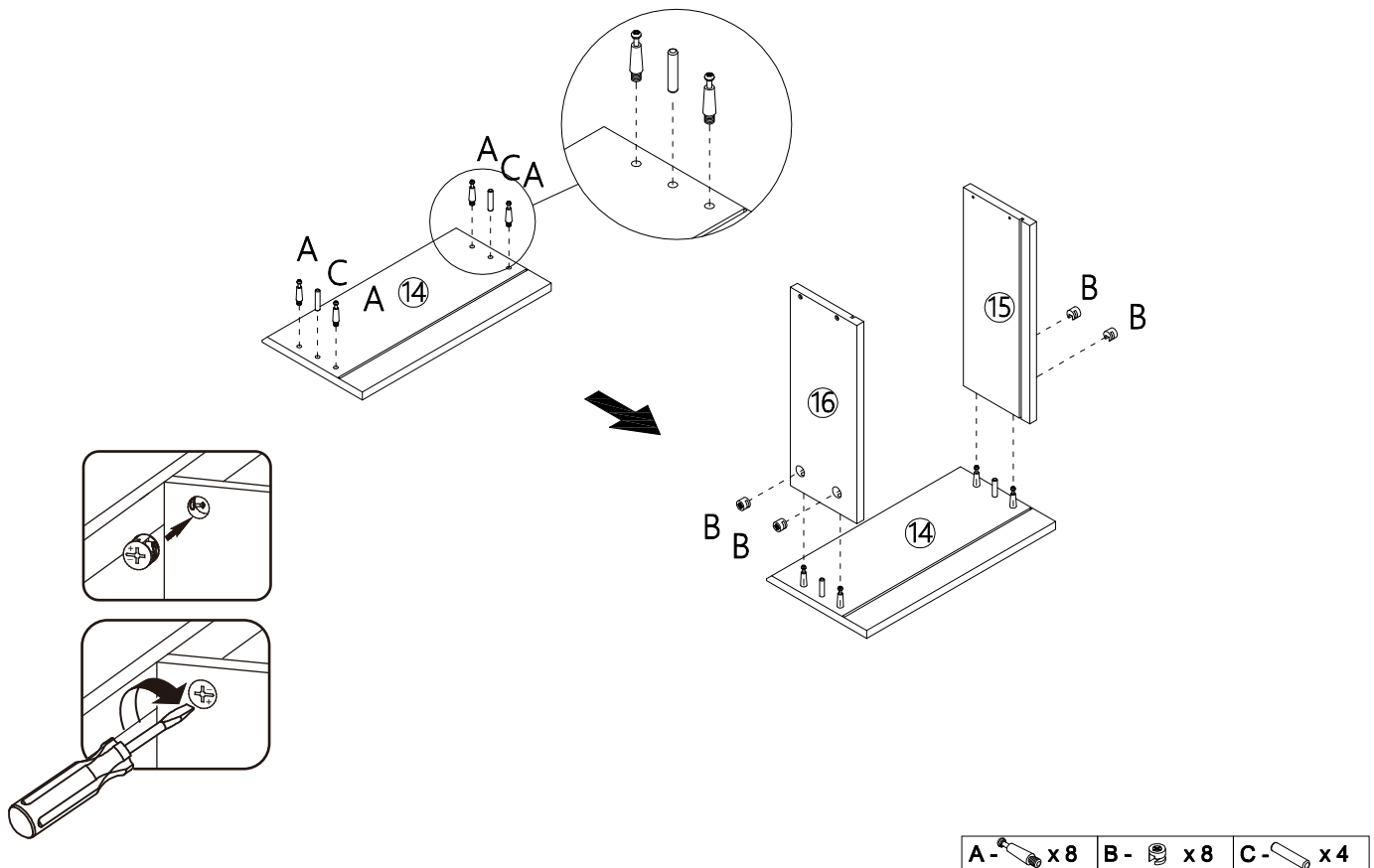
# STEP 11



G -  x4 H -  x4 K -  x1

# STEP 12

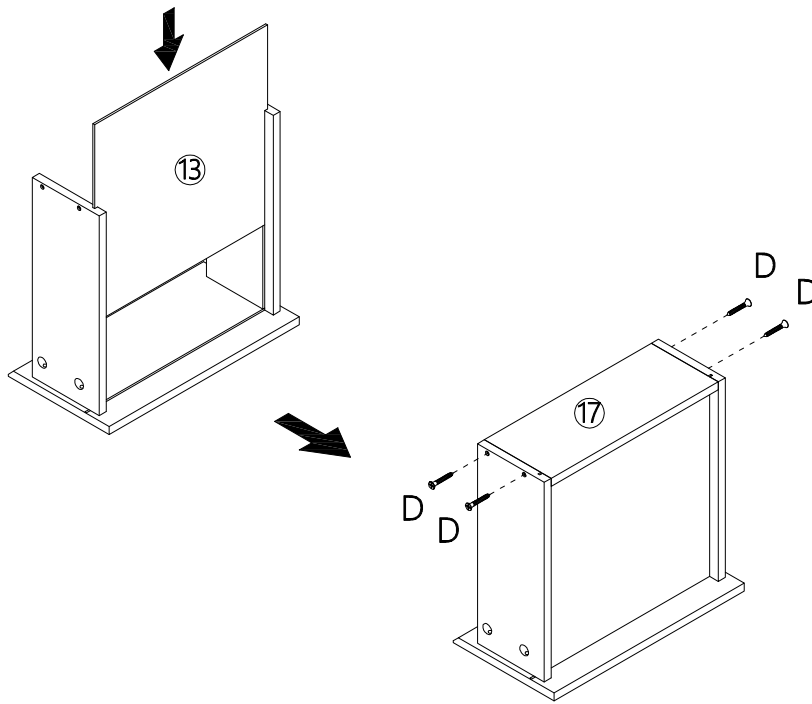
## DRAWERS X 2



A -  x8 B -  x8 C -  x4

# STEP 13

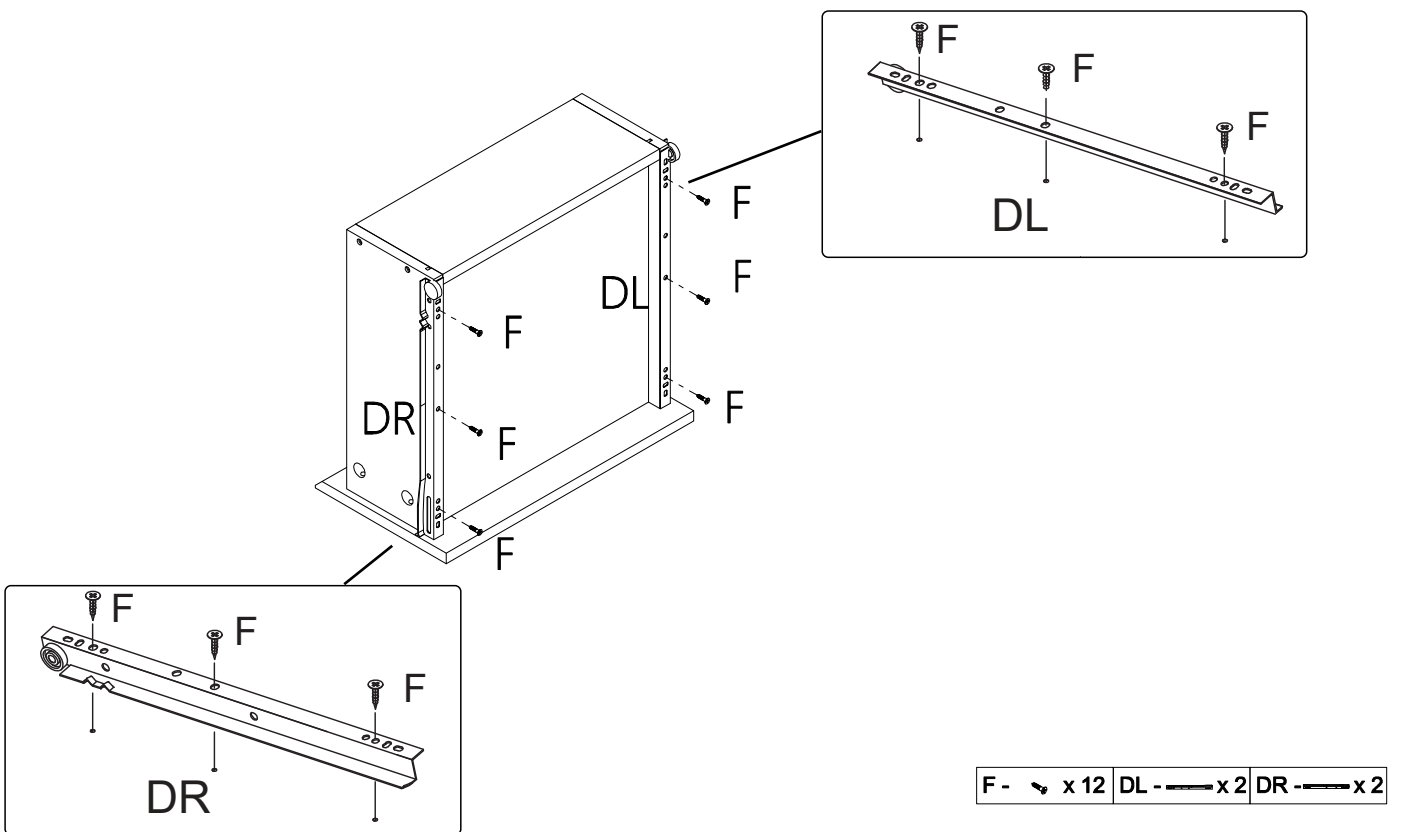
DRAWERS X 2



D -  x 8

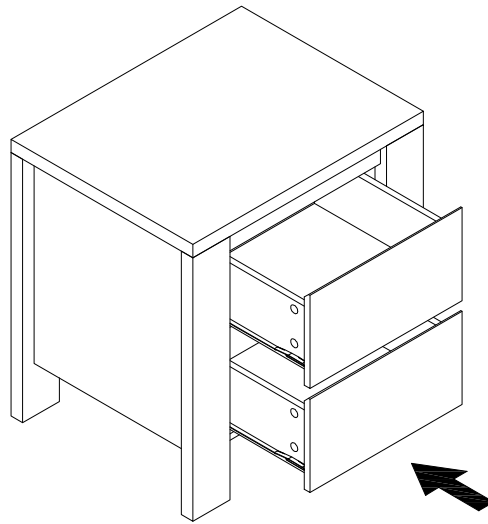
# STEP 14

DRAWERS X 2

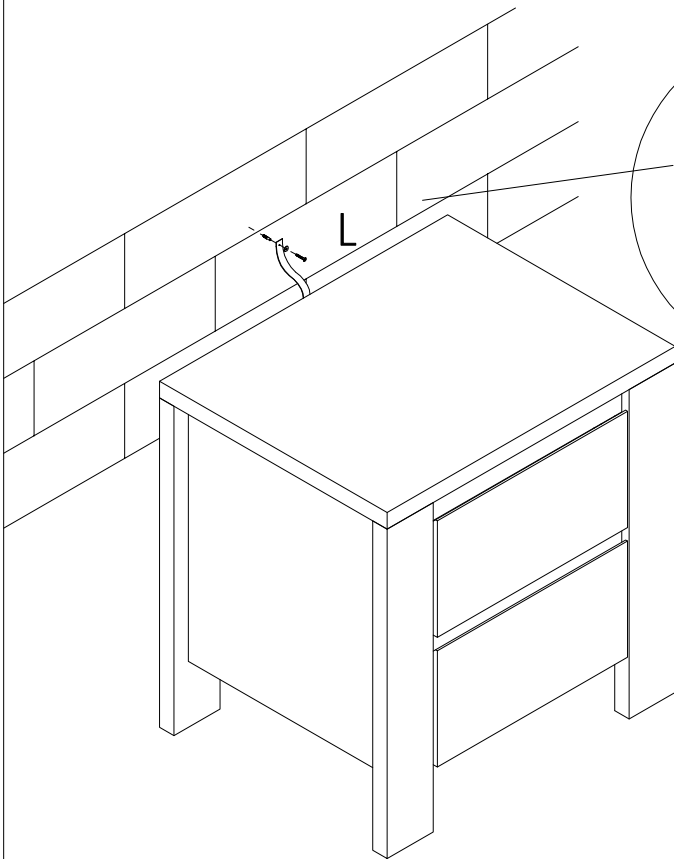


F -  x 12 DL -  x 2 DR -  x 2

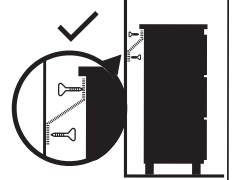
## STEP 15



## STEP 16



### ▲ WARNING



Children have died from furniture tipover.

- ALWAYS secure it with an anchor device.
- NEVER allow children to stand, climb or hang on drawers, doors, or shelves.
- NEVER open more than one drawer at a time.
- Place heavy items down low.
- Furniture type is at risk of toppling over.

NEVER put a TV  
on this furniture



This is a permanent label. Do not remove!

#### TOPPLING FURNITURE WARNING:

- ALWAYS secure it with an anchor device.
- Please seek professional advice if you are in doubt of what fixing device to use.
- Regularly check that anchors are securely maintained.
- Use safety drawer locks to prevent children climbing.
- Stability of tall items may be affected by thick pile carpet or uneven floors .
- Do not place unanchored televisions on furniture .

**CAUTION:** for your safety when attaching the anchor fixings, please note the following:

- Check any electrical wires or plumbing inside the wall before drilling any holes (if you are unsure please seek professional advice from a qualified tradesperson).

L -  x 1



WARNING: PLEASE SECURE YOUR FURNITURE WITH THE SUPPLIED WALL FIXING. SCAN THE CODE FOR MORE INFORMATION.

