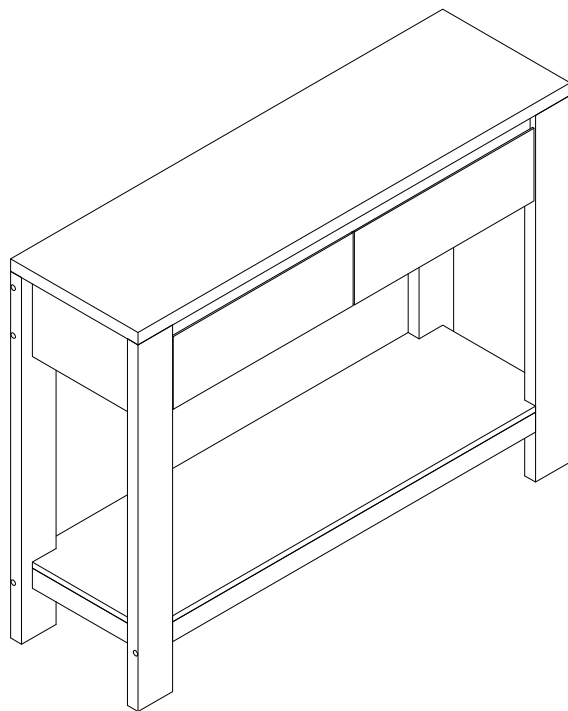




# TIDE 2 DRAWER HALL TABLE

## Instruction Manual



The photos and illustrations shown in this instruction manual are generic.  
The manufacturer reserves the right to change any specification or feature without prior notice.

**IMPORTANT: KEEP FOR FUTURE REFERENCE. READ CAREFULLY.**

# Assembly Instructions

## 43708895 TIDE 2 DRAWER HALL TABLE

### **WARNING:**

DO NOT STAND, SIT OR LEAN ON THIS UNIT.

DO NOT USE THIS UNIT AS A STEP LADDER OR AS A CHOPPING SURFACE.

KEEP AWAY FROM CHILDREN AND BABIES.

ADULT ASSEMBLY REQUIRED.

USE ONLY ON A FLAT SURFACE.

DO NOT USE THIS UNIT UNLESS ALL BOLTS AND SCREWS ARE FIRMLY SECURED.

### **CARE INSTRUCTIONS:**

TO BE ASSEMBLED ON A CLEAN, DRY AND SMOOTH SURFACE.

WIPE CLEAN WITH A SOFT DAMP CLOTH.

NEVER USE SCOURERS, ABRASIVES OR CHEMICAL SOLVENTS.

CHECK AND TIGHTEN ALL PARTS REGULARLY.

KEEP AWAY FROM MOISTURE AND DIRECT SUNLIGHT.

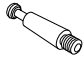

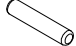

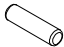




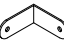

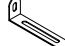


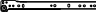
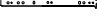


STORE IN A DRY PLACE.

FOR INDOOR AND DOMESTIC USE ONLY.

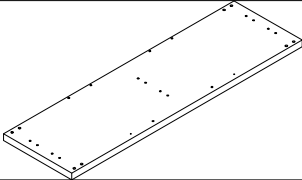
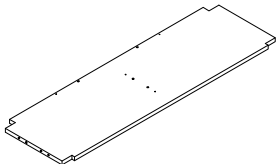
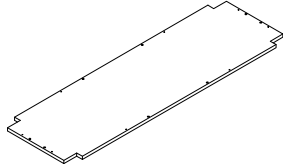
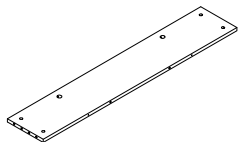
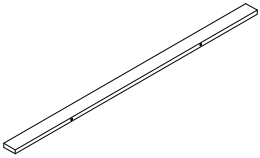
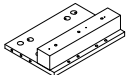
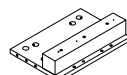
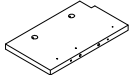
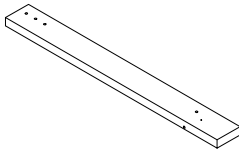
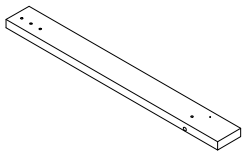
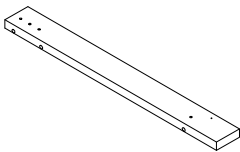
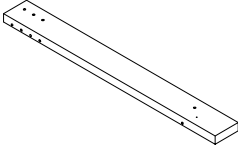
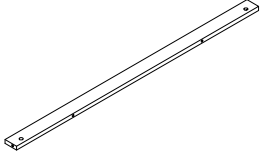

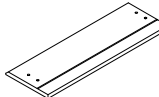
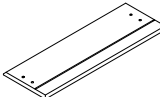
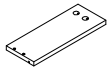
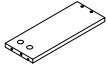
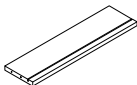
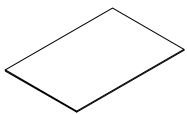
### **MAXIMUM SAFE LOAD:**

**15KG FOR TOP PANEL, 5KG FOR DRAWER, 10KG FOR SHELF**

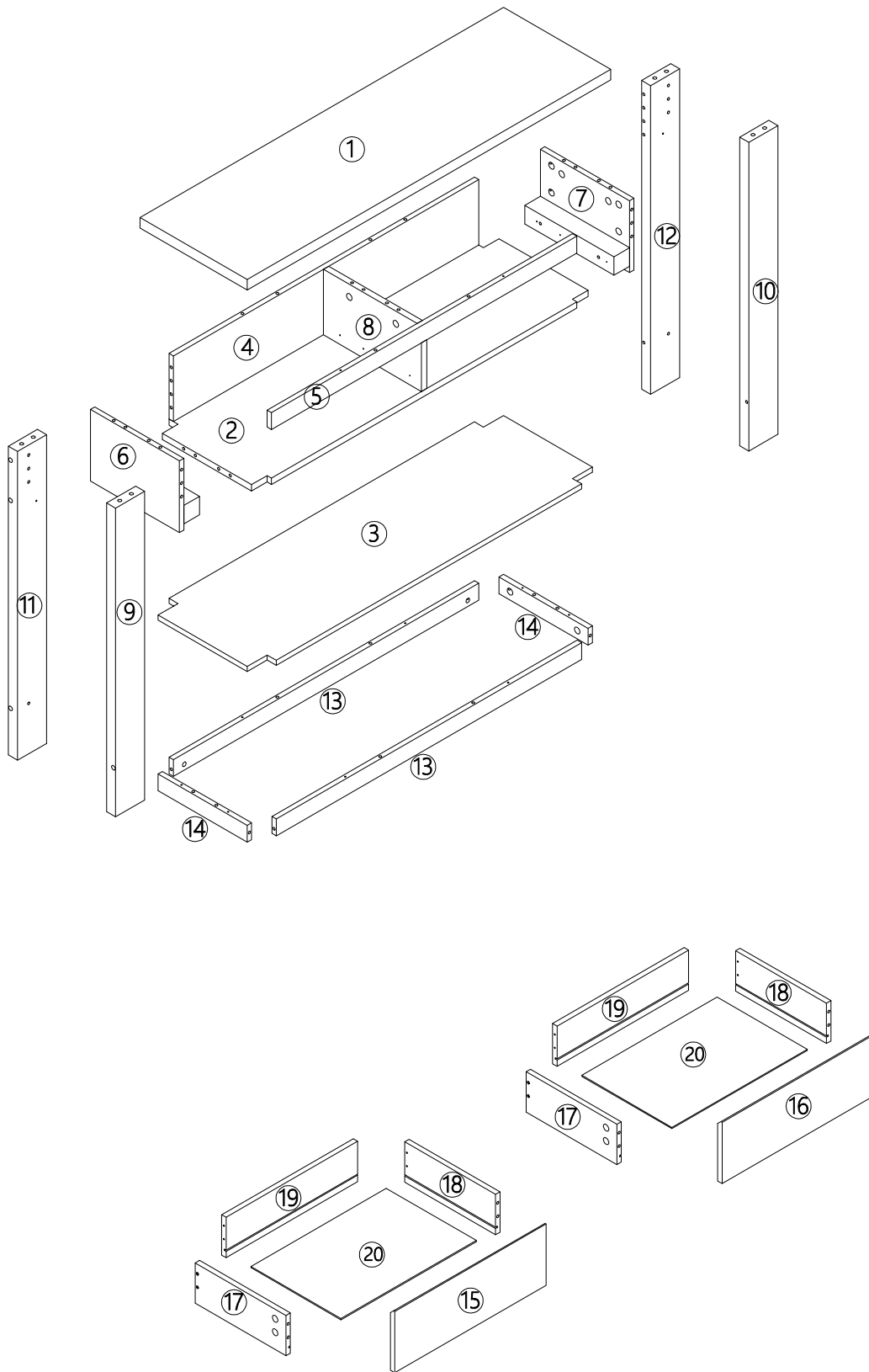
# 1 Hardware List

A		M6x35mm	32pcs	B		Ø15x9mm	32pcs	C		Ø6x30mm	34pcs	D		M4x35mm	24pcs
E		Ø8x30mm	8pcs	F		M3x12mm	24pcs	G		M7x100mm	8pcs	H		Ø10x10mm	8pcs
I			1pc	J			4pcs	K		M4x12mm	10pcs	L			2pcs
M			2pcs	N			4pcs	CL			2pcs	CR			2pcs
DL			2pcs	DR			2pcs								

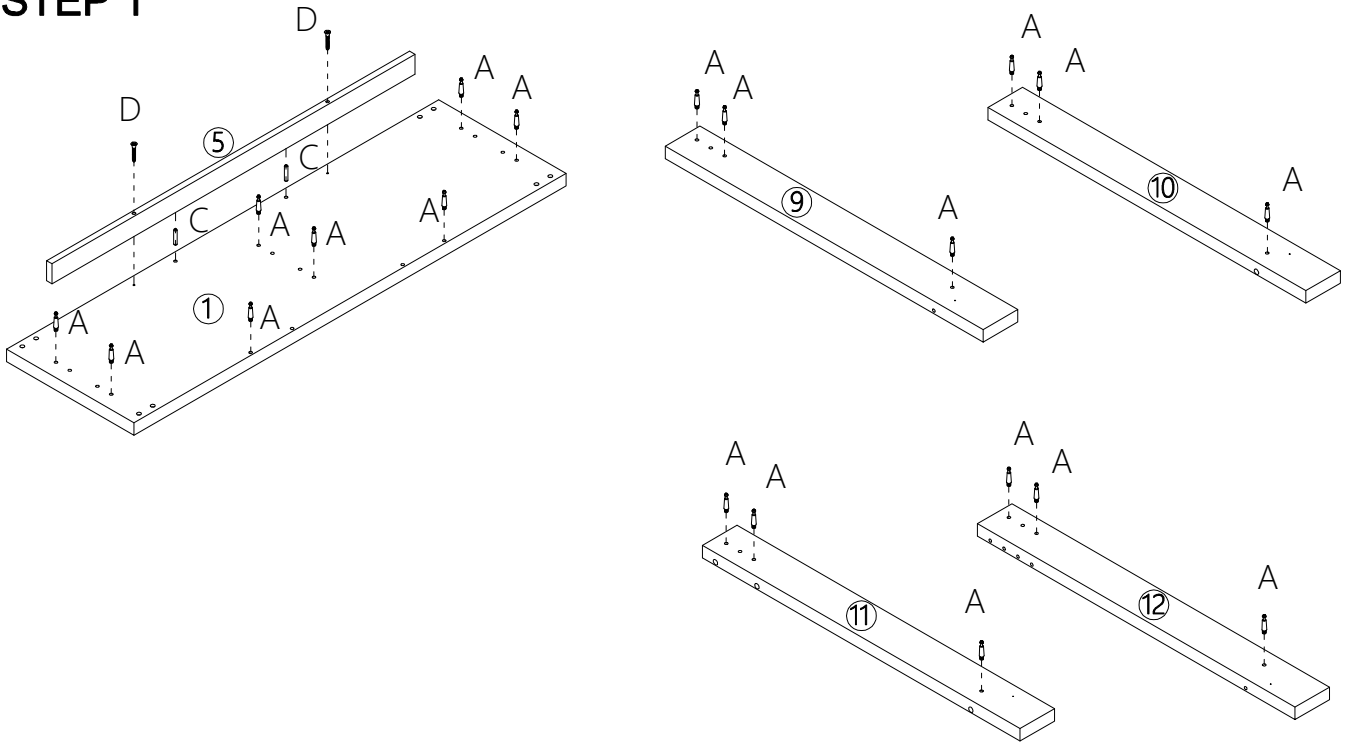
# 2 Parts List

	<b>1PC</b>		<b>1PC</b>		<b>1PC</b>		<b>1PC</b>
<b>1</b>		<b>2</b>		<b>3</b>		<b>4</b>	
	<b>1PC</b>		<b>1PC</b>		<b>1PC</b>		<b>1PC</b>
<b>5</b>		<b>6</b>		<b>7</b>		<b>8</b>	
	<b>1PC</b>		<b>1PC</b>		<b>1PC</b>		<b>1PC</b>
<b>9</b>		<b>10</b>		<b>11</b>		<b>12</b>	
	<b>2PCS</b>		<b>2PCS</b>		<b>1PC</b>		<b>1PC</b>
<b>13</b>		<b>14</b>		<b>15</b>		<b>16</b>	
	<b>2PCS</b>		<b>2PCS</b>		<b>2PCS</b>		<b>2PCS</b>
<b>17</b>		<b>18</b>		<b>19</b>		<b>20</b>	

# PANEL LAYOUT

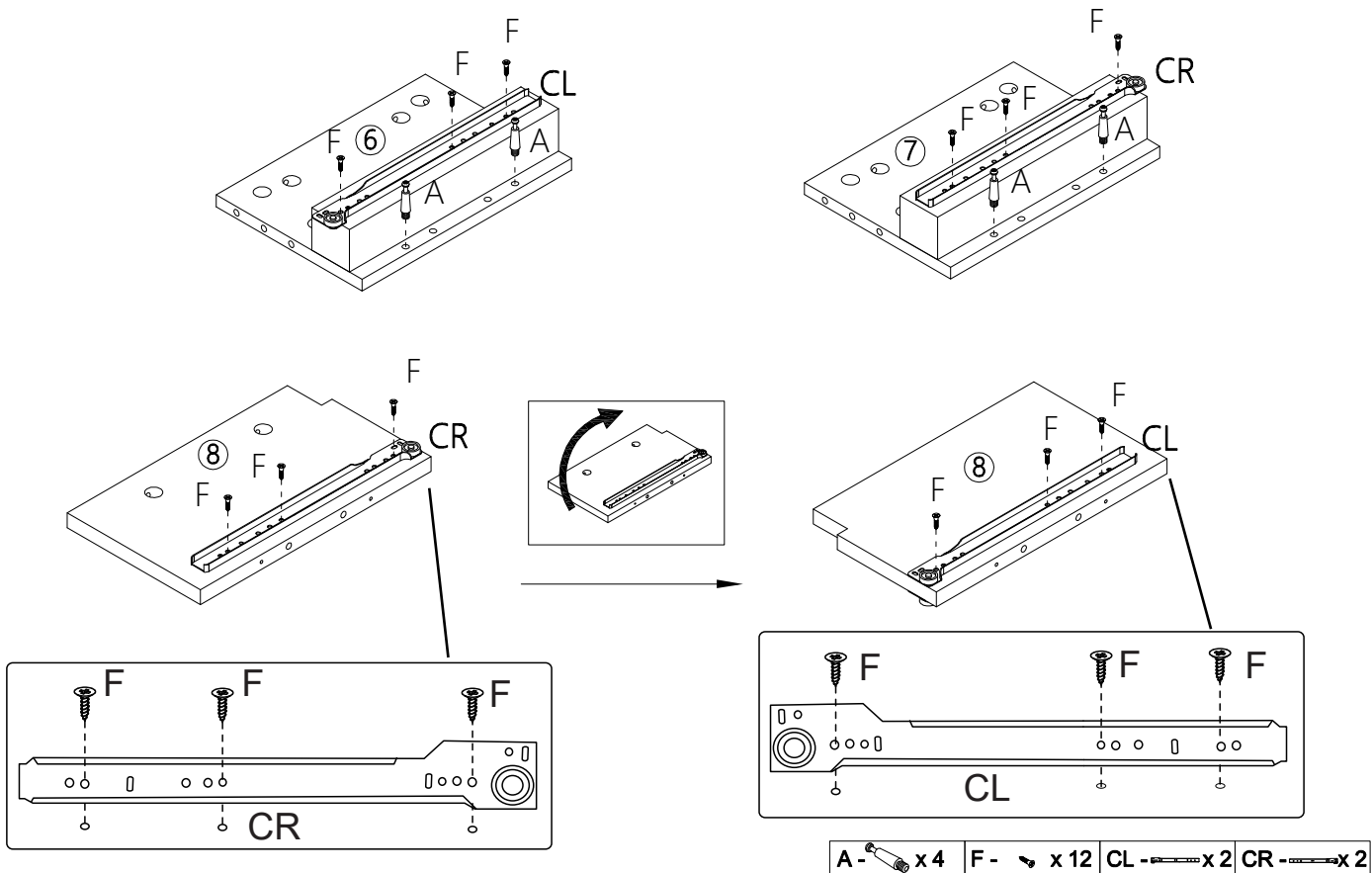


# STEP 1



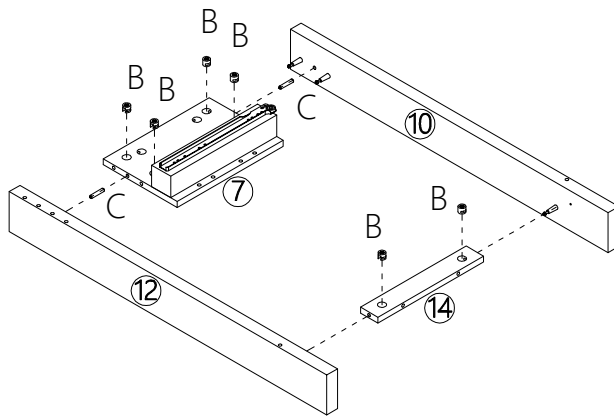
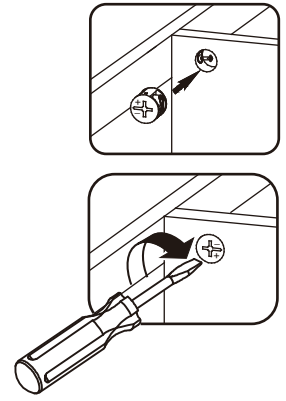
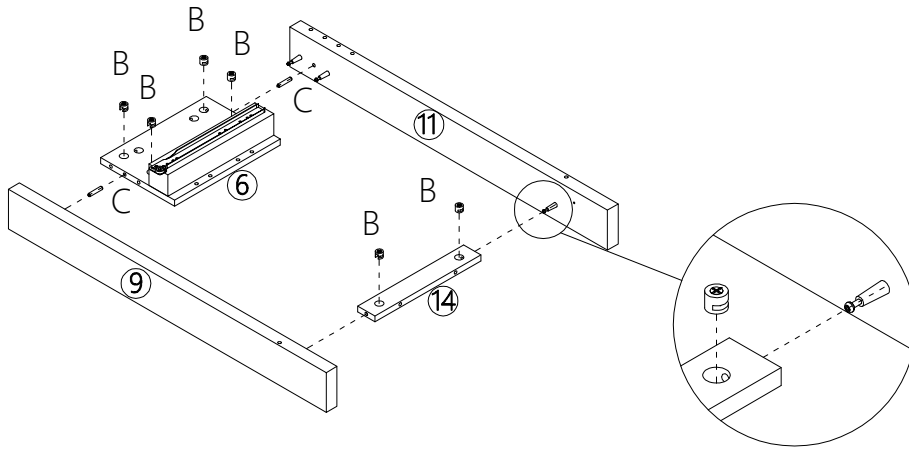
A - x20    C - x2    D - x2


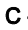
# STEP 2



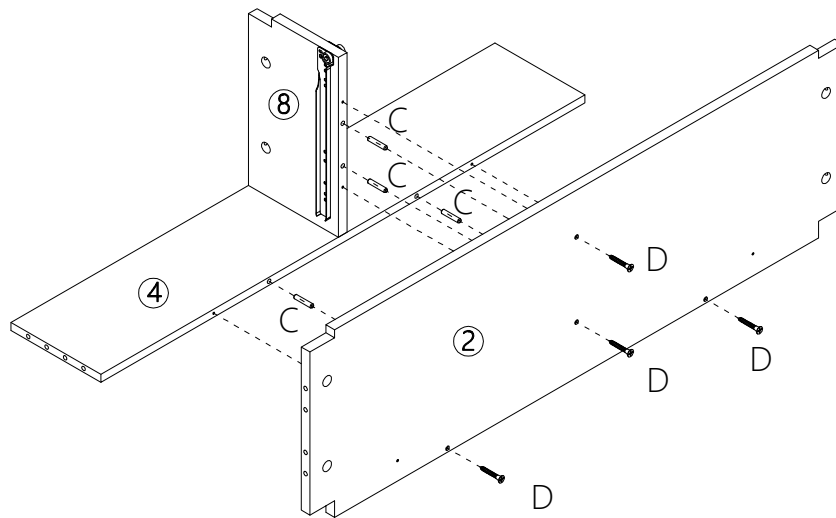
A - x4    F - x12    CL - x2    CR - x2



### STEP 3



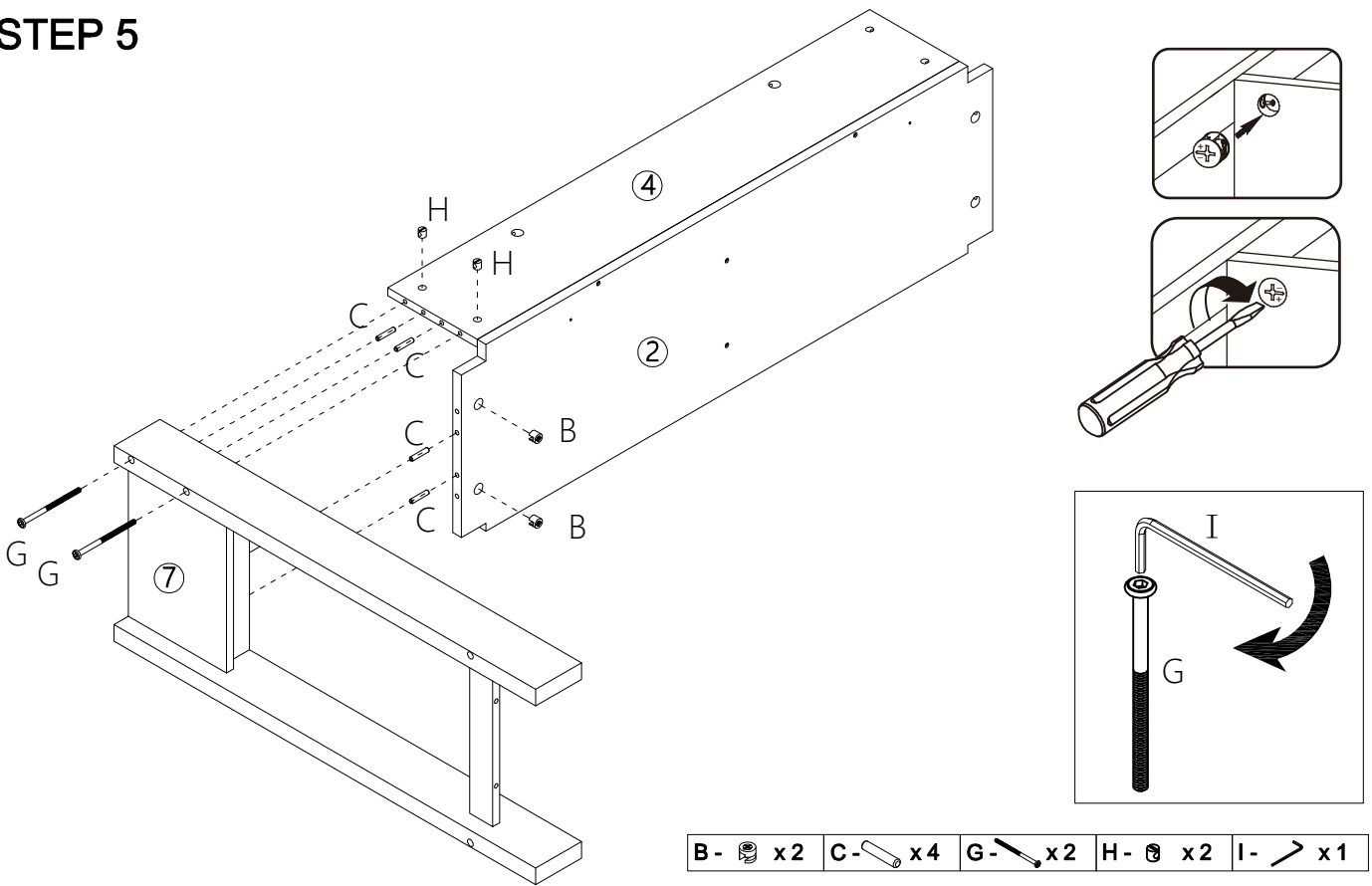
B -  x 12 C -  x 4

### STEP 4



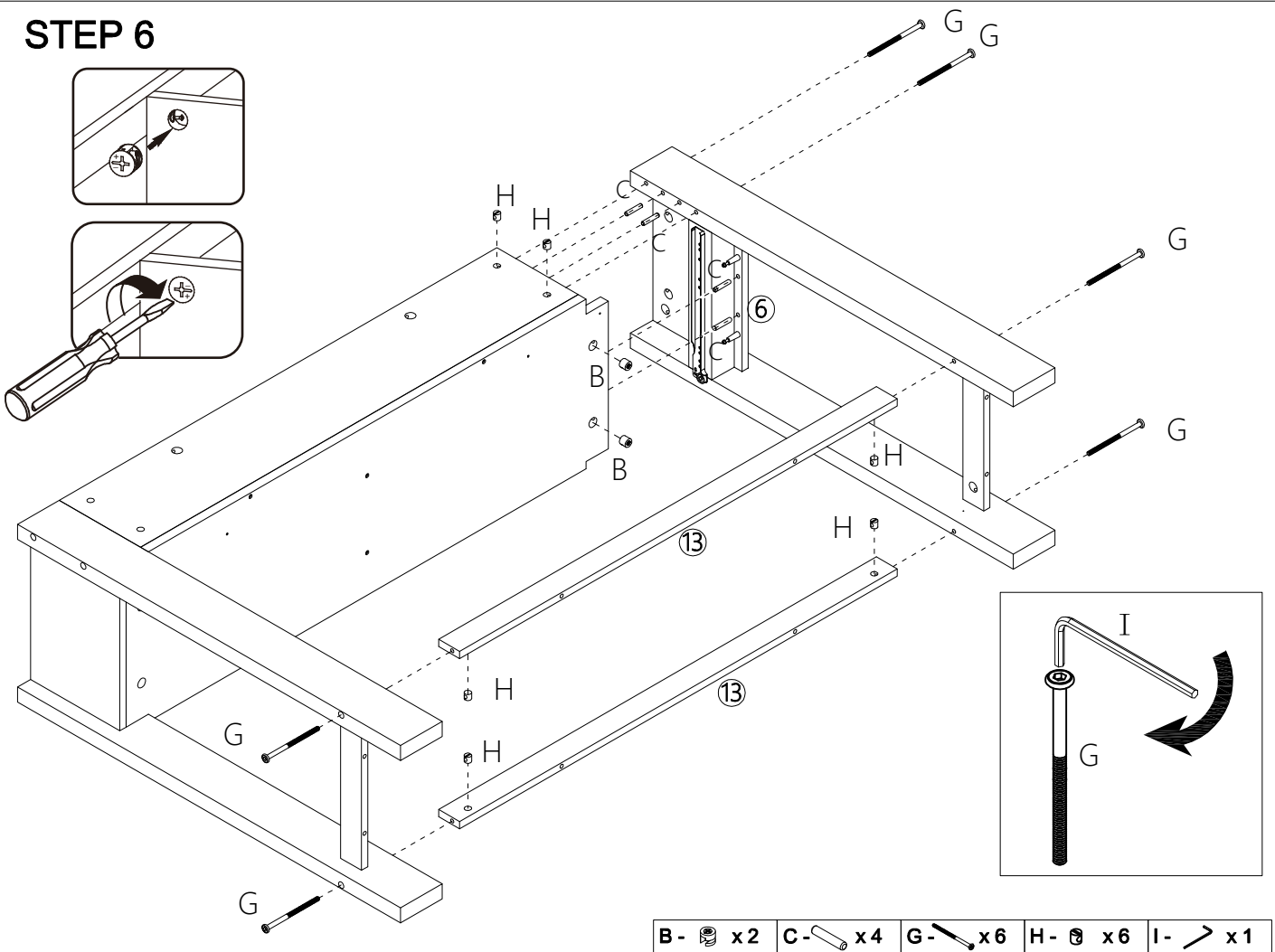
C -  x 4 D -  x 4

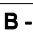

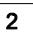
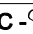
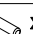
# STEP 5



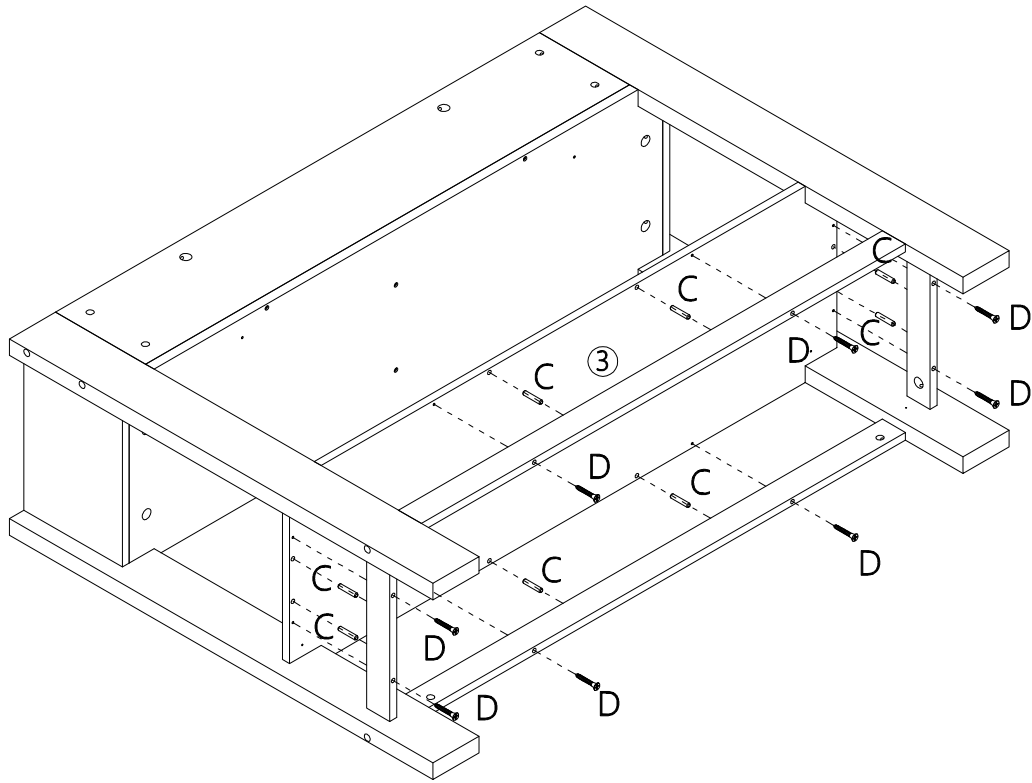
- |  |  |  |  |  |
|--|--|--|--|--|
| B-  x2 | C-  x4 | G-  x2 | H-  x2 | I-  x1 |
|--|--|--|--|--|



# STEP 6



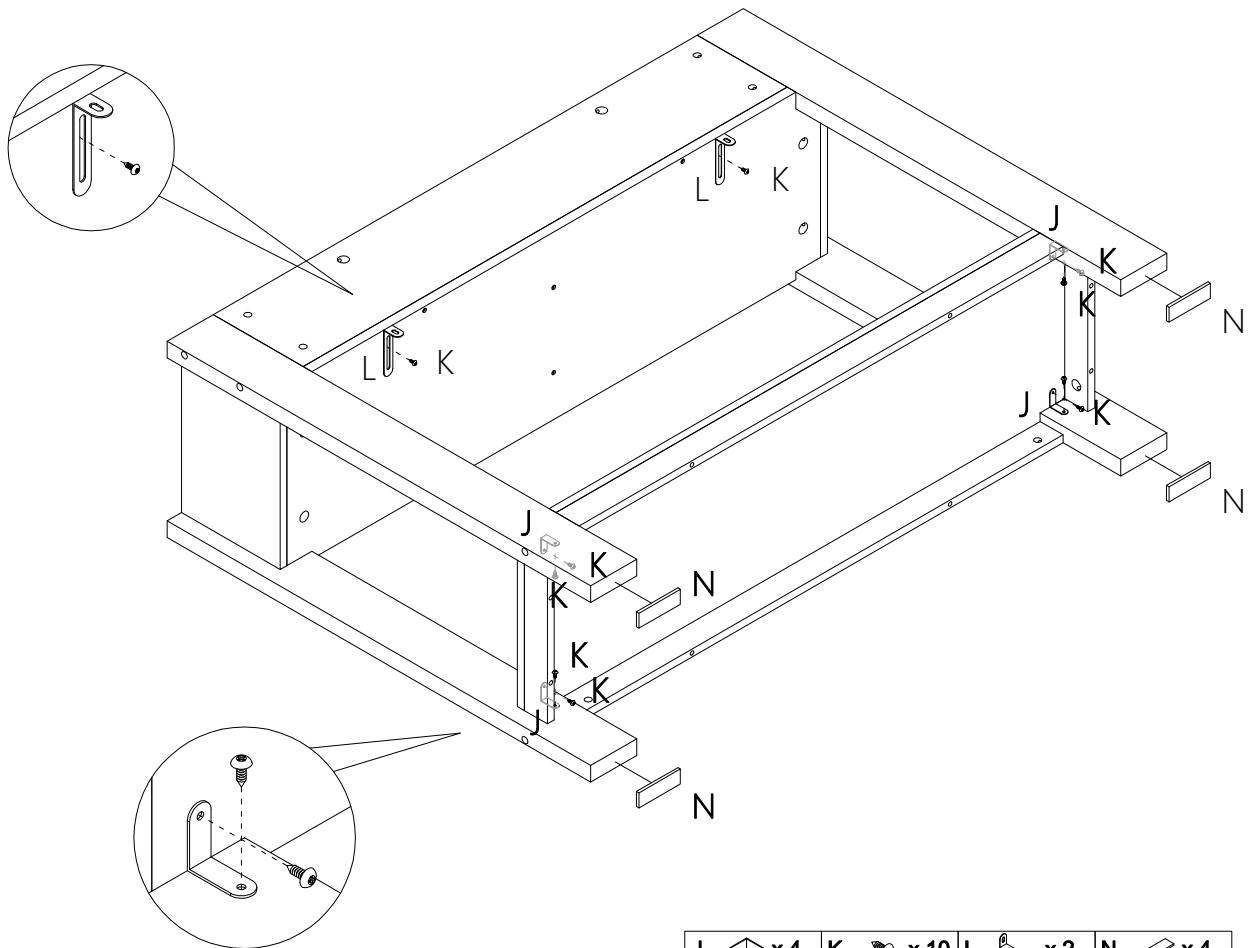
- |   |   |   |   |   |
|---|---|---|---|---|
| B-  x2 | C-  x4 | G-  x6 | H-  x6 | I-  x1 |
|---|---|---|---|---|





# STEP 7



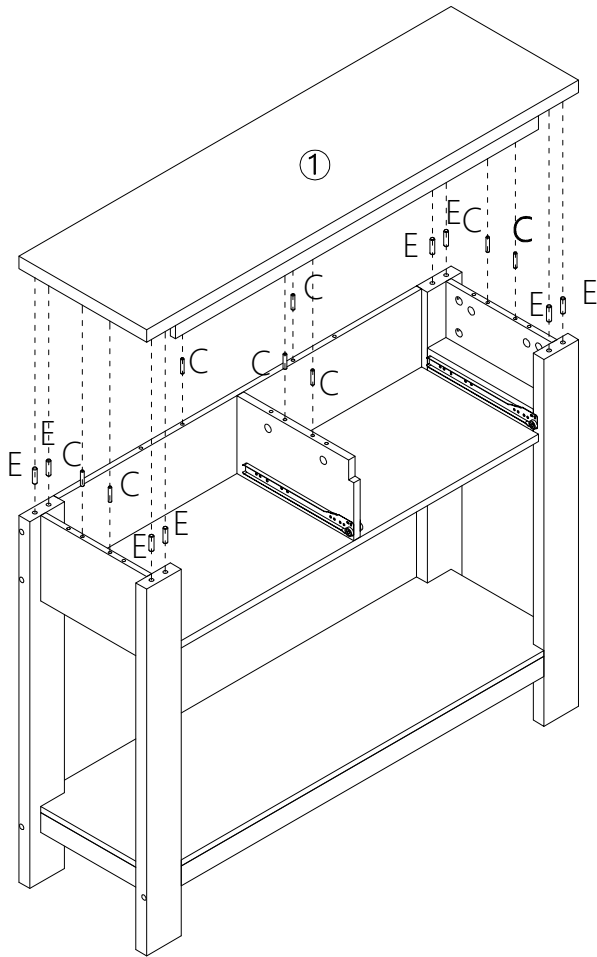
C -  x8    D -  x8

# STEP 8



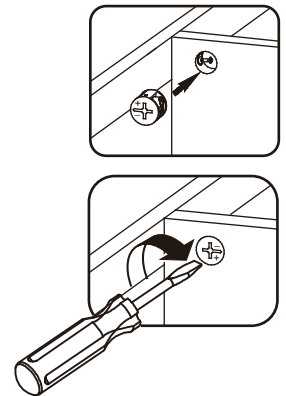
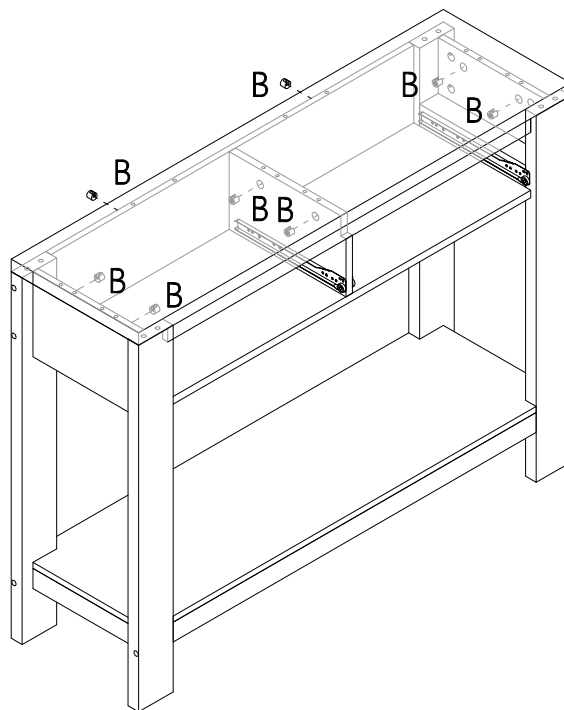
J -  x4    K -  x10    L -  x2    N -  x4


# STEP 9



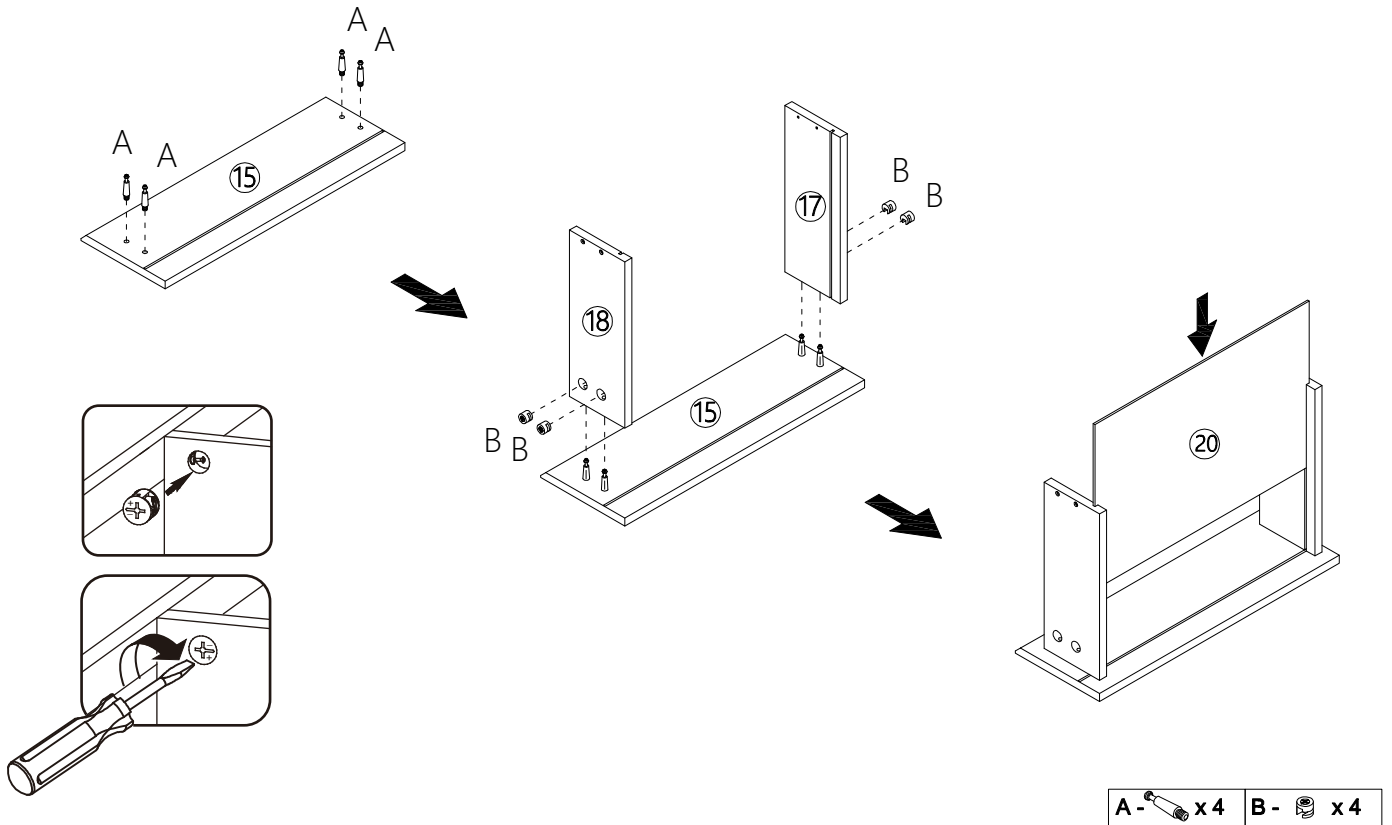
C -  x8    E -  x8

# STEP 10

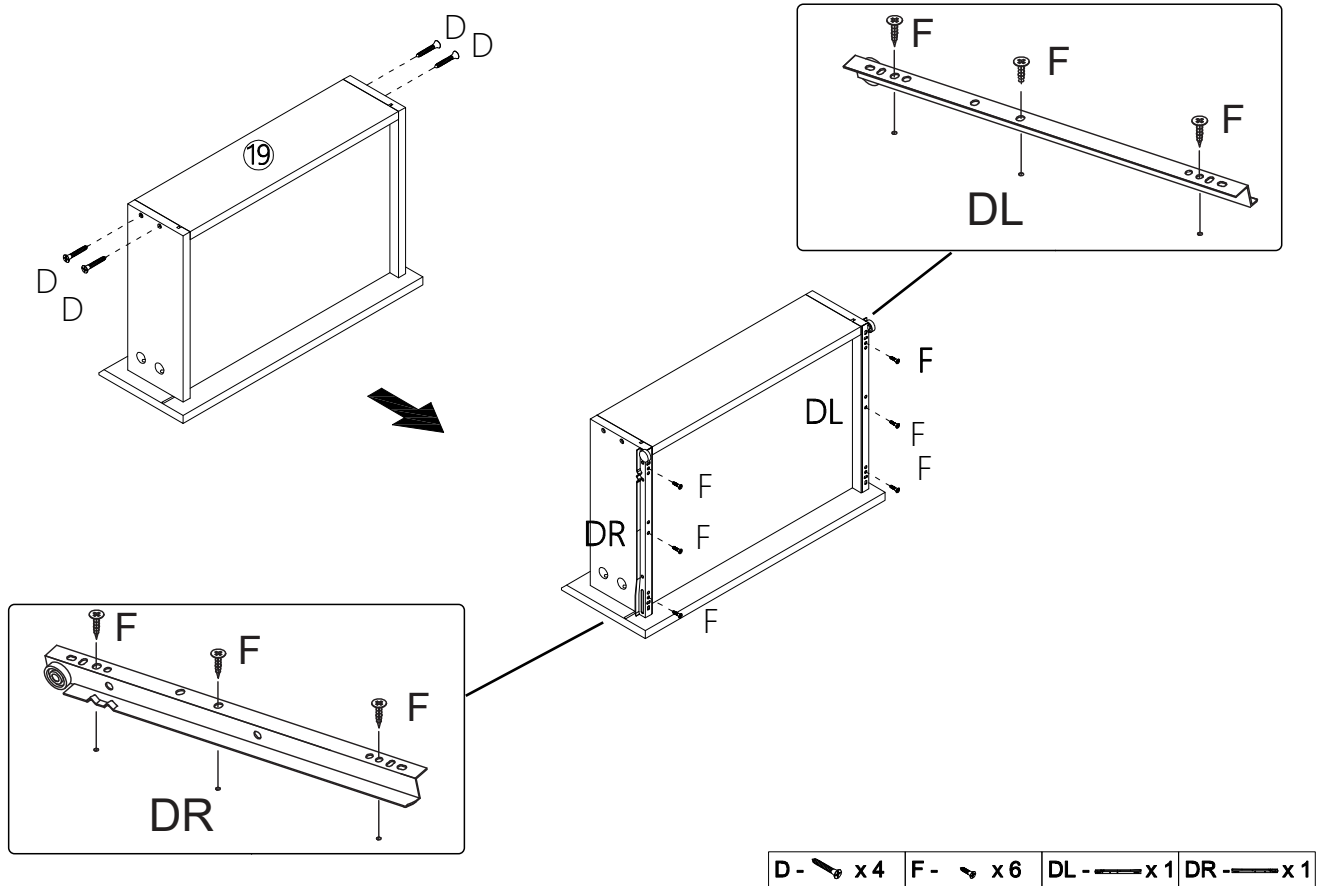


B -  x8

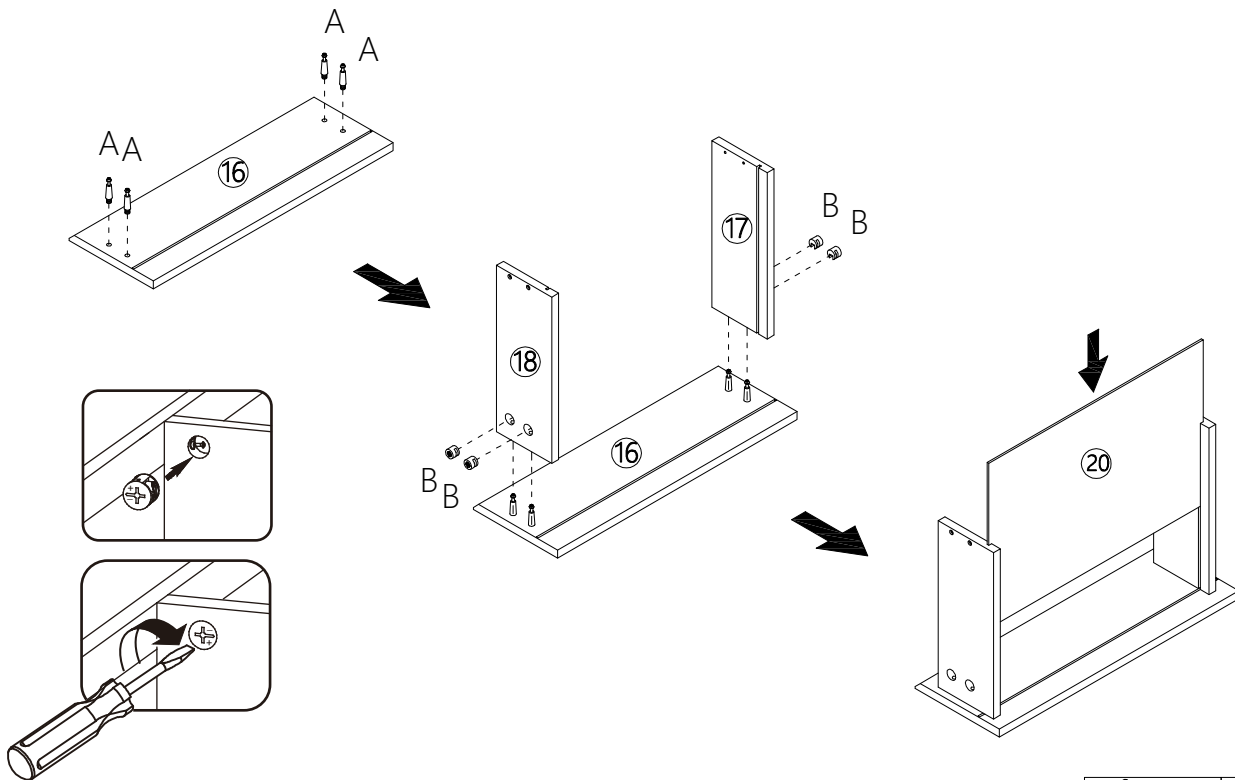
# STEP 11



# STEP 12

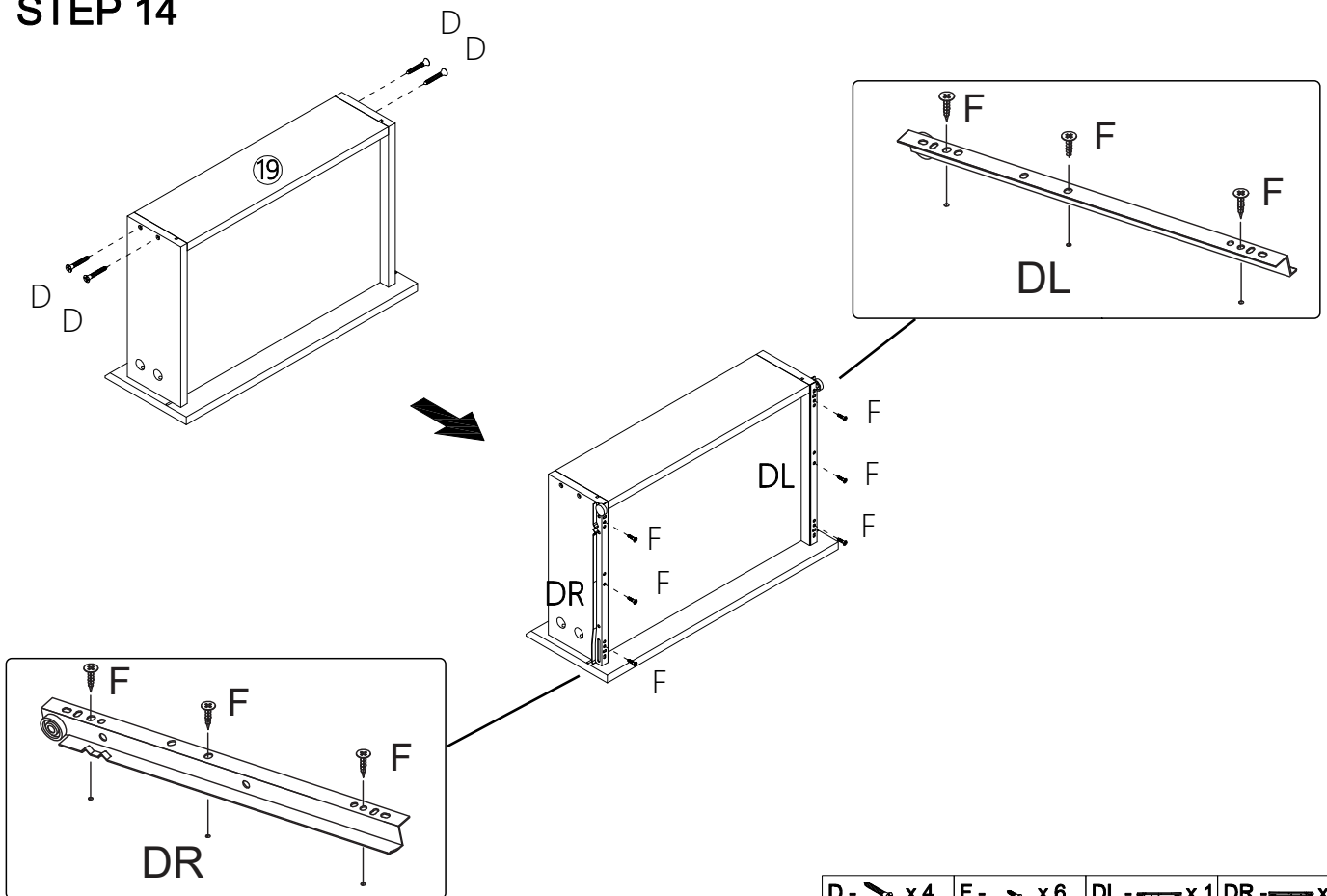


# STEP 13





A - x4 B - x4

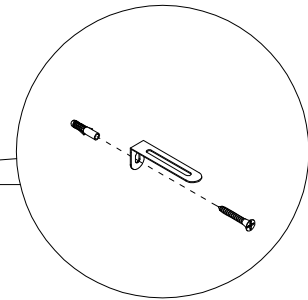
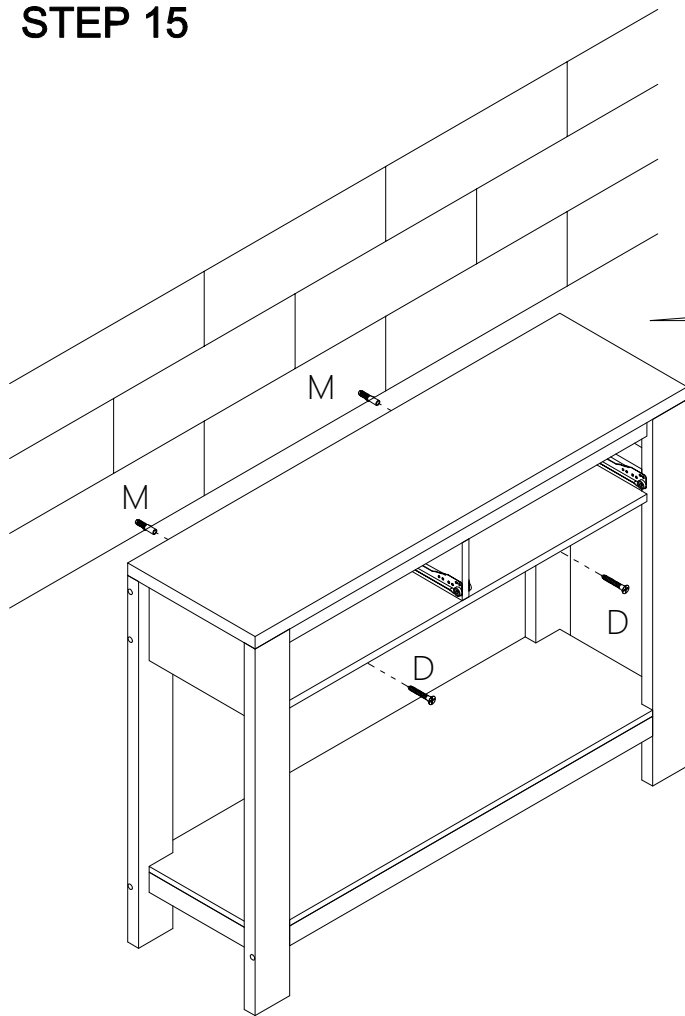
# STEP 14



D - x4 F - x6 DL - x1 DR - x1

# STEP 15

D -  x2 | M -  x2



### TOPPLING FURNITURE WARNING:

- **ALWAYS** secure it with an anchor device.
- **Please seek professional advice if you are in doubt of what fixing device to use.**
- **Regularly check that anchors are securely maintained.**
- **Use safety drawer locks to prevent children climbing.**
- **Stability of tall items may be affected by thick pile carpet or uneven floors .**
- **Do not place unanchored televisions on furniture .**

**⚠ WARNING**





**Children have died from furniture tipover.**

- ALWAYS secure it with an anchor device.
- NEVER allow children to stand, climb or hang on drawers, doors, or shelves.
- NEVER open more than one drawer at a time.
- Place heavy items down low.
- Furniture type is at risk of toppling over.

**NEVER put a TV on this furniture** 

**This is a permanent label. Do not remove!**

**CAUTION:** for your safety when attaching the anchor fixings, please note the following:

- **Check any electrical wires or plumbing inside the wall before drilling any holes (if you are unsure please seek professional advice from a qualified tradesperson).**



WARNING: PLEASE SECURE YOUR FURNITURE WITH THE SUPPLIED WALL FIXING. SCAN THE CODE FOR MORE INFORMATION.



**STEP 16**

