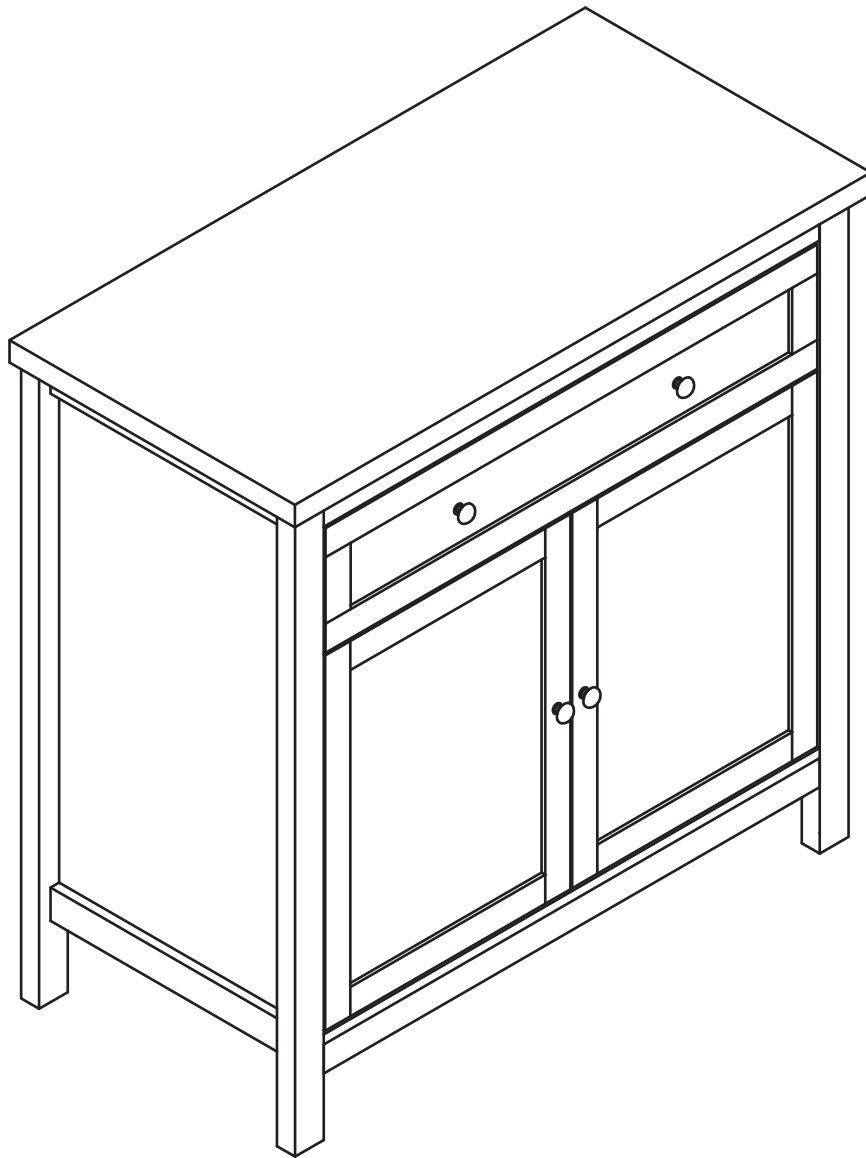




OLIVER 2 DOOR CABINET WITH DRAWER

Instruction Manual



The photos and illustrations shown in this instruction manual are generic.
The manufacturer reserves the right to change any specification or feature without prior notice.

IMPORTANT: KEEP FOR FUTURE REFERENCE. READ CAREFULLY.

Assembly Instructions

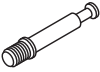












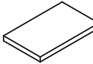

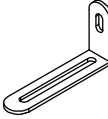







43707454 OLIVER 2 DOOR CABINET WITH DRAWER

CARE INSTRUCTIONS: WIPE CLEAN WITH A SOFT DAMP CLOTH. NEVER USE SCOURERS, ABRASIVES OR CHEMICAL SOLVENTS. KEEP AWAY FROM MOISTURE AND DIRECT SUNLIGHT. STORE IN A DRY PLACE. FOR INDOOR USE ONLY.

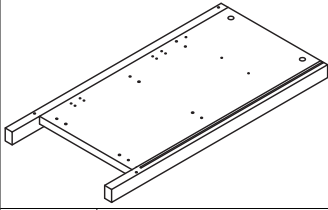
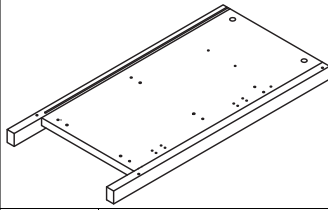
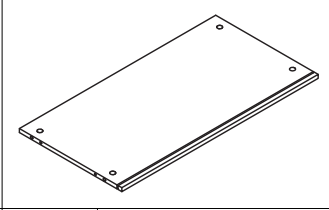
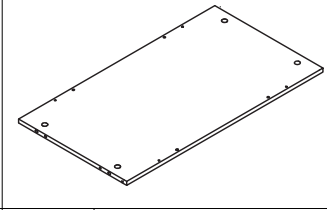
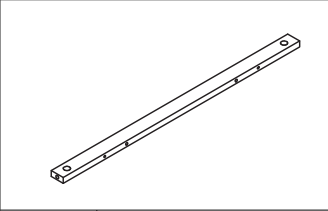
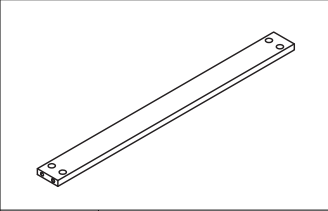
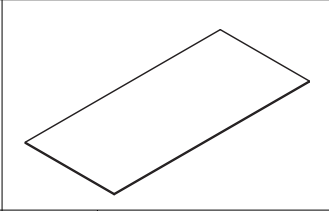
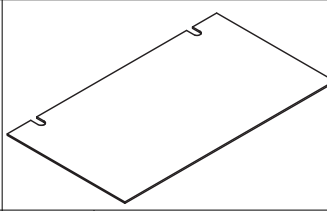
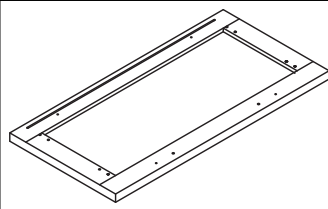
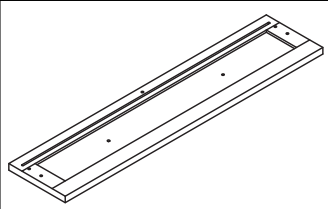
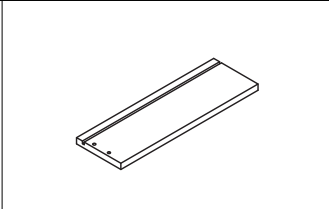
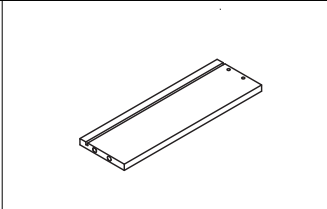
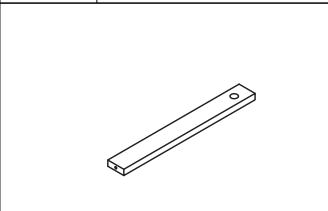
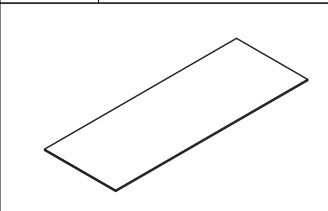
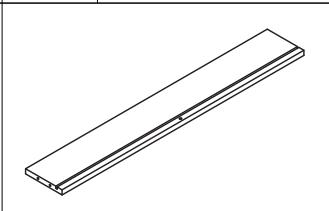
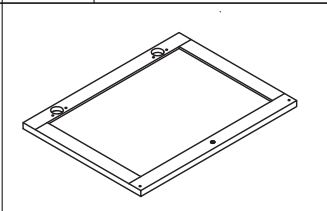
WARNING: DO NOT STAND, SIT OR LEAN ON THE UNIT. DO NOT USE THIS UNIT AS A STEP LADDER. ENSURE THIS UNIT IS USED ONLY ON A FLAT SURFACE. DO NOT USE THIS UNIT UNLESS ALL BOLTS AND SCREWS ARE FIRMLY SECURED. DO NOT PLACE HOT OBJECTS SUCH AS COFFEE CUPS DIRECTLY ON THE SURFACE OF THIS FURNITURE ITEM. THIS ITEM IS FOR STORAGE PURPOSES ONLY. CONTAINS SMALL PARTS. IT IS TO BE ASSEMBLED BY AN ADULT. FAILURE TO FOLLOW THESE WARNINGS COULD RESULT IN SERIOUS INJURY.

MAXIMUM SAFE LOAD: 15KG FOR TOP, 7KG FOR DRAWER, 10KG FOR SHELF.

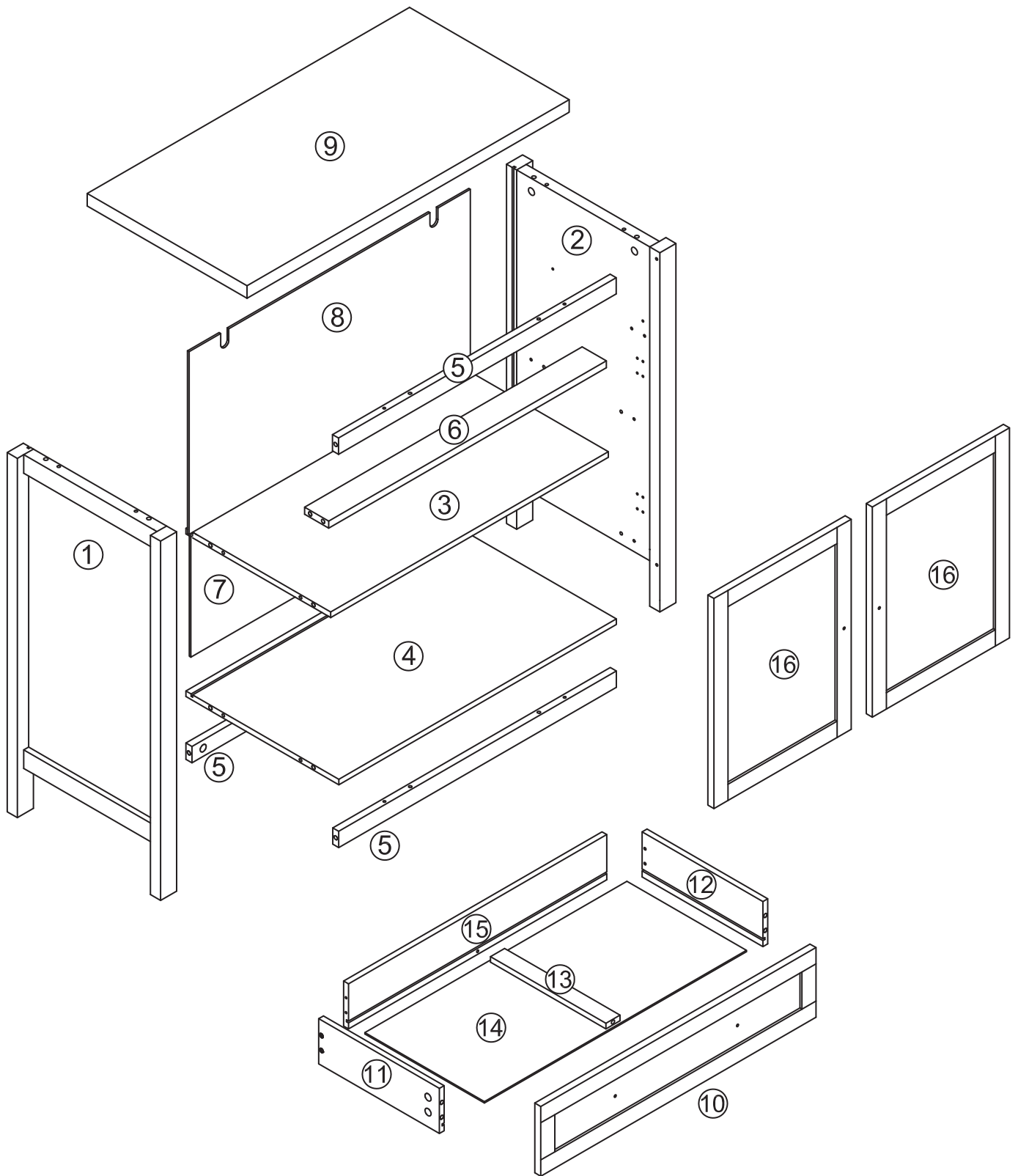
1 Hardware List

A		6x35mm	27pcs	B		15x10mm	27pcs	C		6x30mm	18pcs	D		3.5x10mm	14pcs
E		4x40mm	6pcs	F		3x12mm	2pcs	G			4pcs	H		4x16mm	2pcs
I		4x10mm	2pcs	J			4pcs	K		3x14mm	8pcs	L			8pcs
M		4x25mm	5pcs	N			4pcs	O	   			2sets			
CL			1pc	CR			1pc	DL			1pc	DR			1pc
P		4x12mm	24pcs												

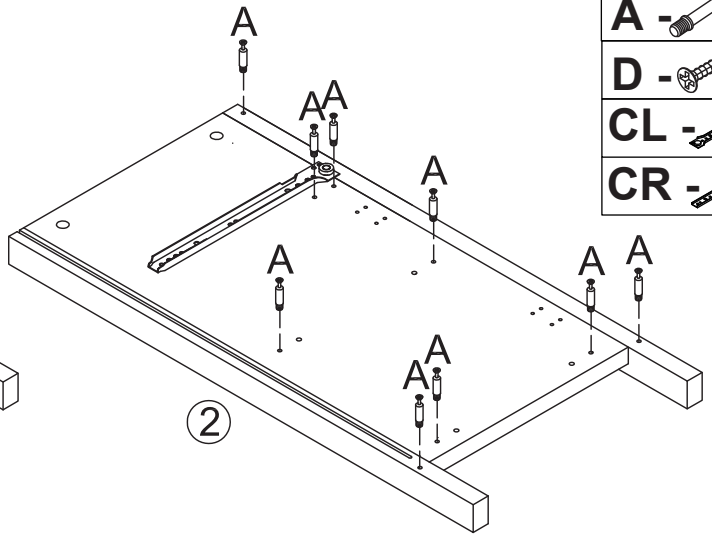
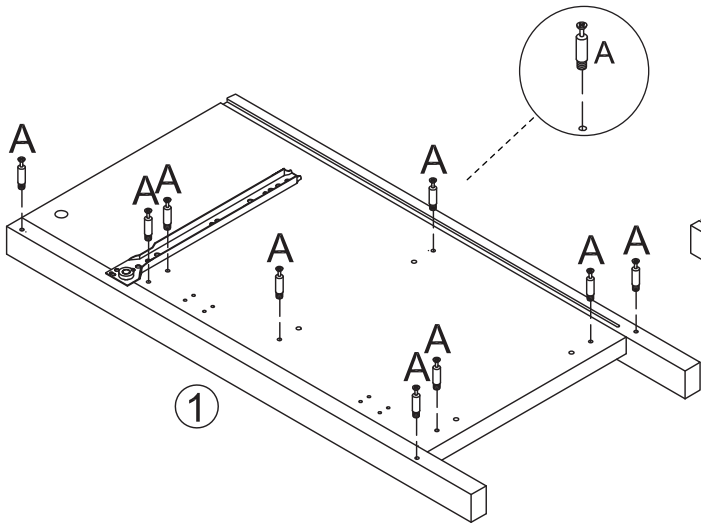
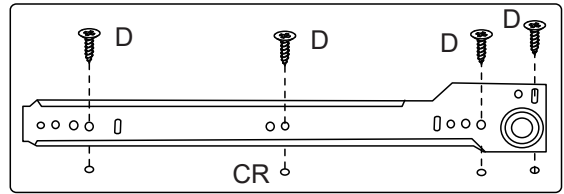
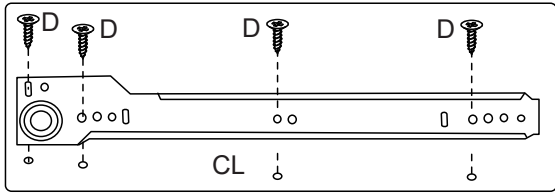
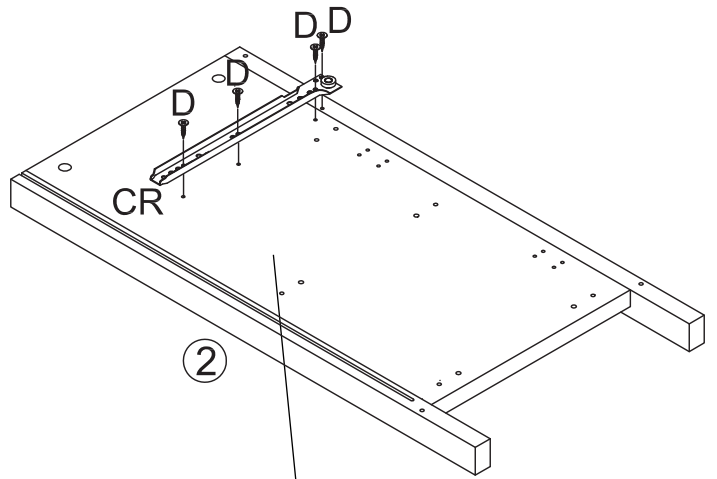
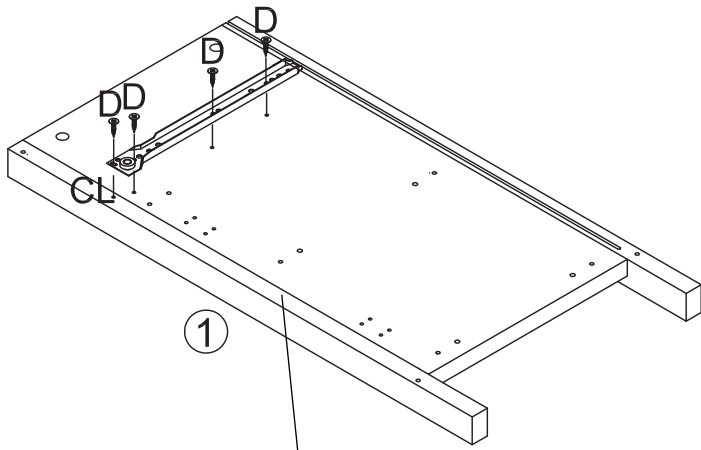
2 Parts List


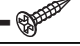


							
①	1pc	②	1pc	③	1pc	④	1pc
							
⑤	3pcs	⑥	1pc	⑦	1pc	⑧	1pc
							
⑨	1pc	⑩	1pc	⑪	1pc	⑫	1pc
							
⑬	1pc	⑭	1pc	⑮	1pc	⑯	2pcs

PANEL LAYOUT

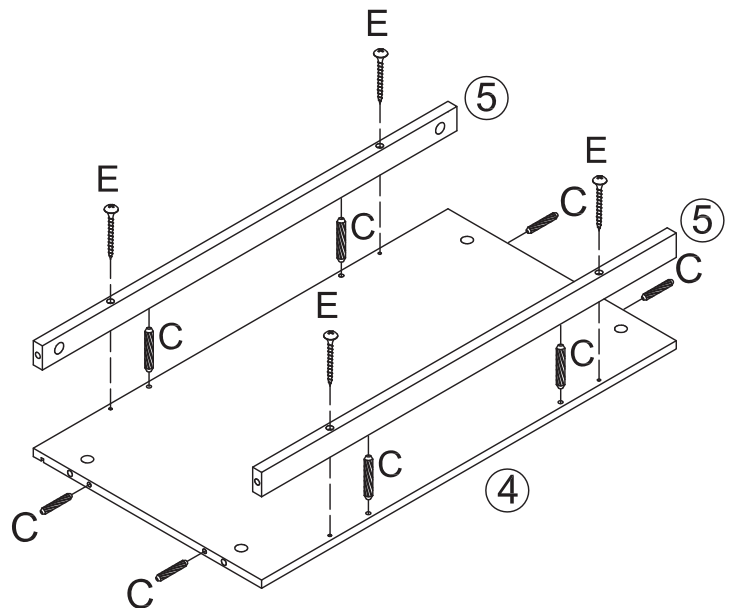
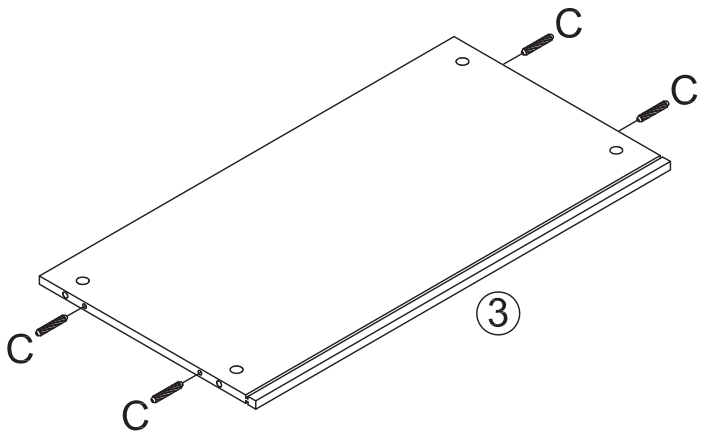




STEP 1



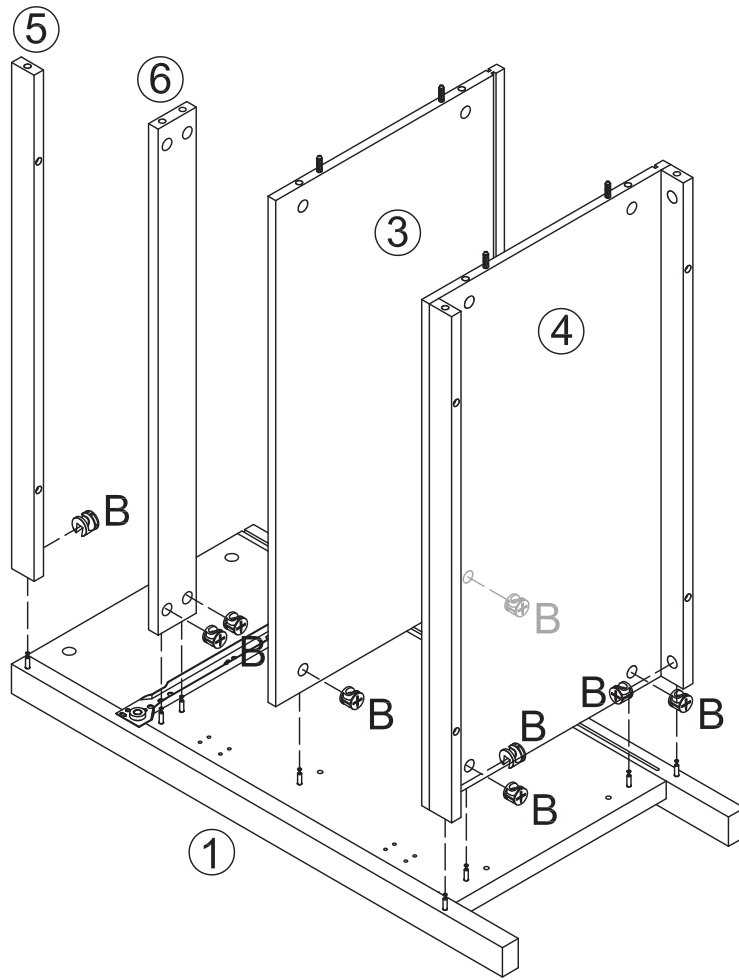
- A** -  × 18
- D** -  × 8
- CL** -  × 1
- CR** -  × 1

STEP 2



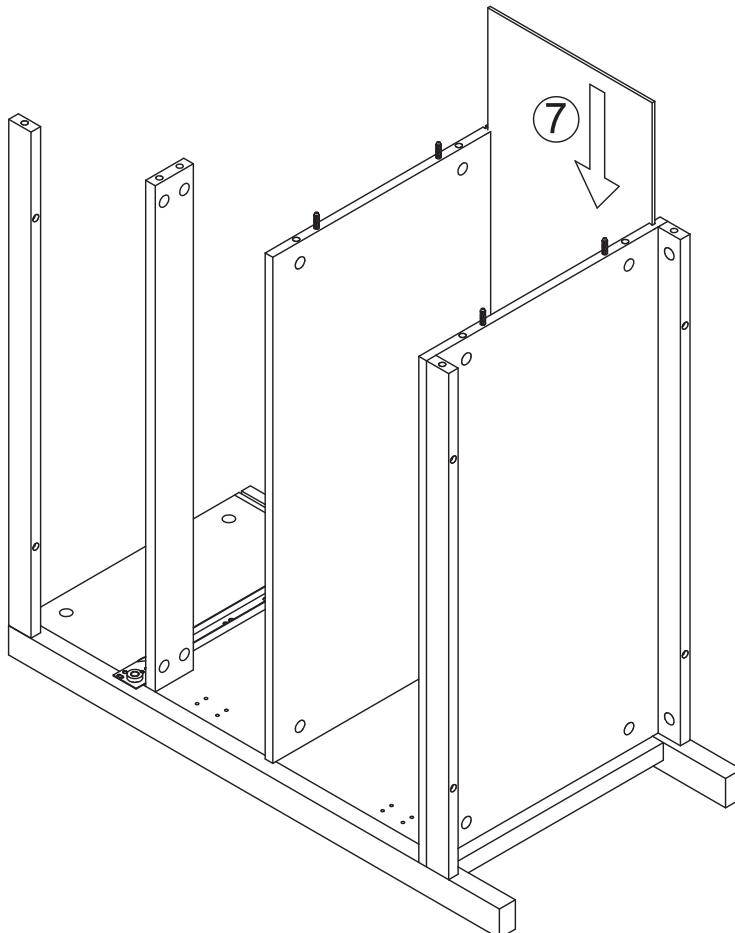
- C** -  × 12
- E** -  × 4

STEP3

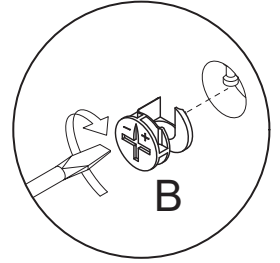
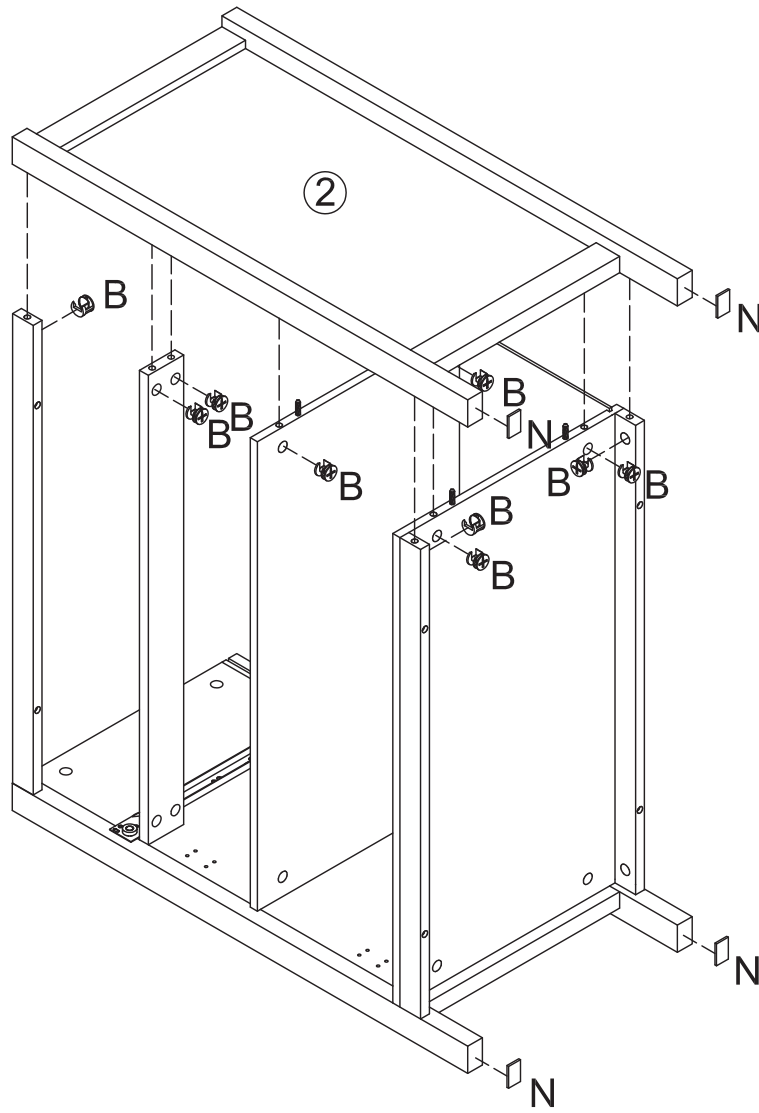



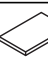
B -  × 9

STEP4

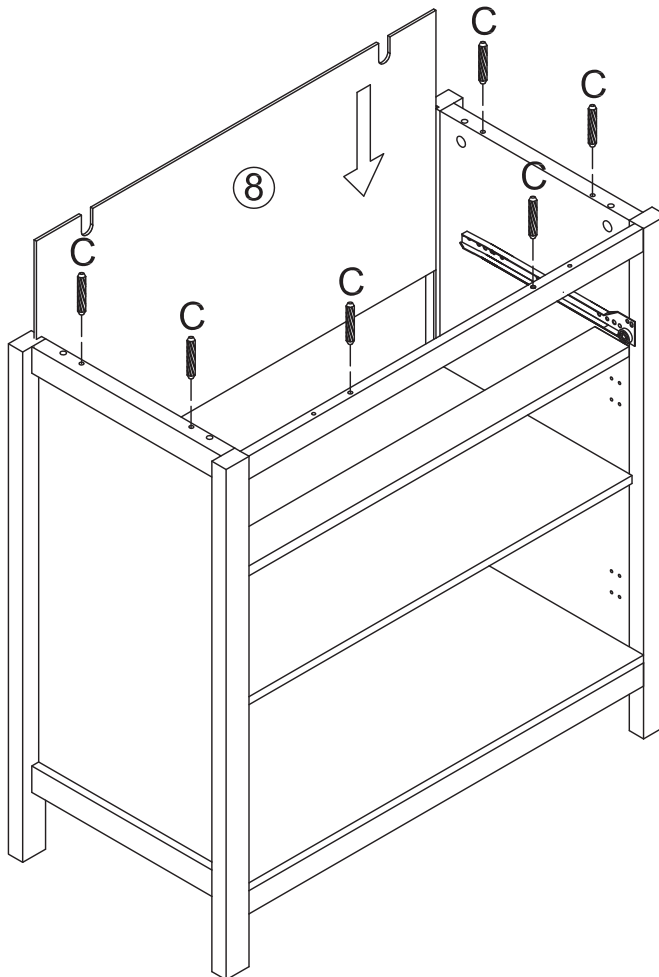


STEP 6



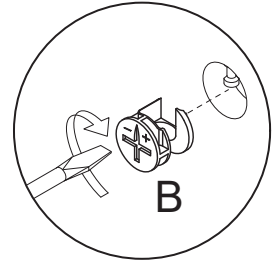
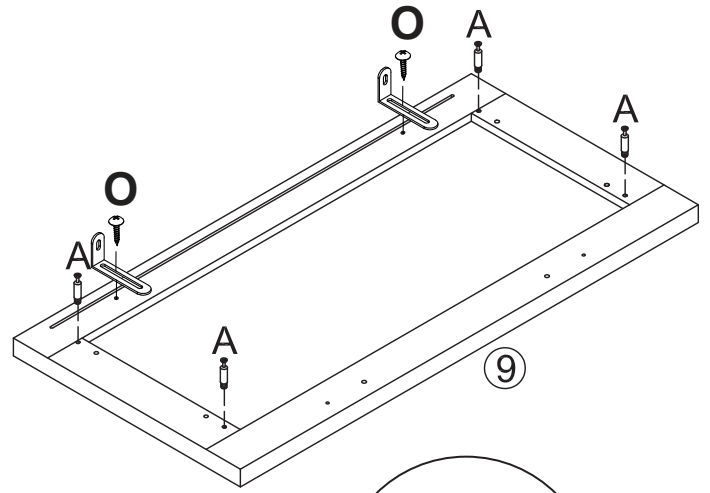
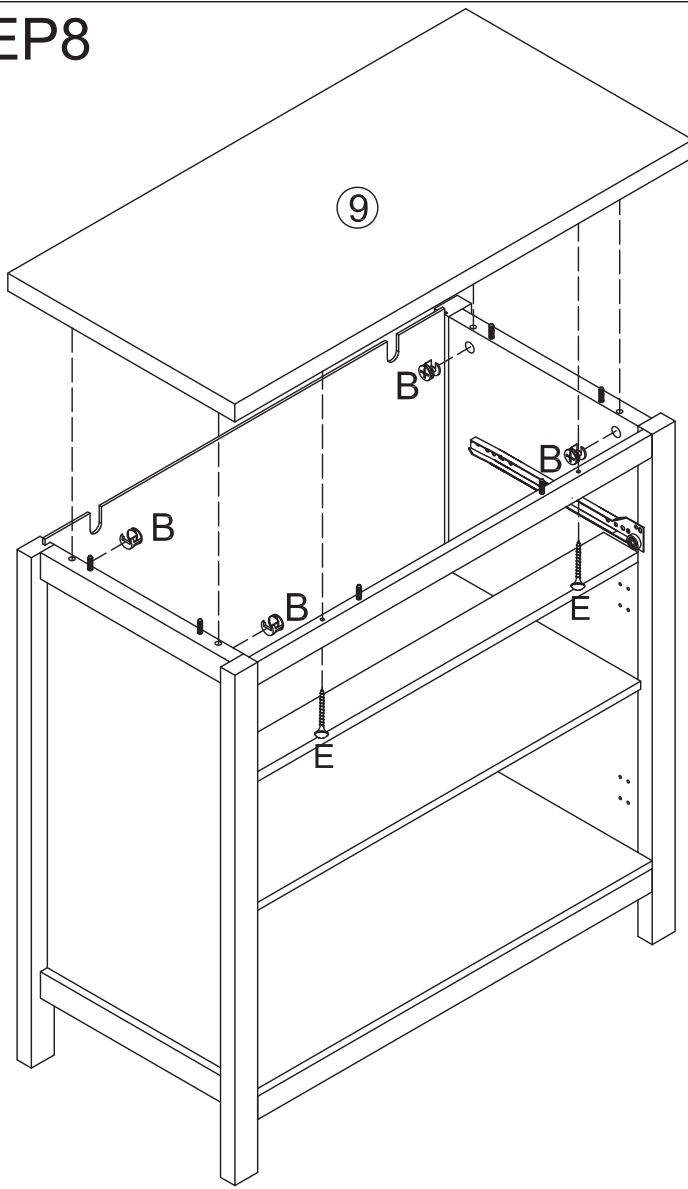
B -  x 9
N -  x 4



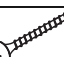
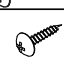
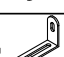
STEP 7



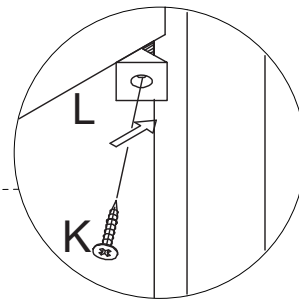
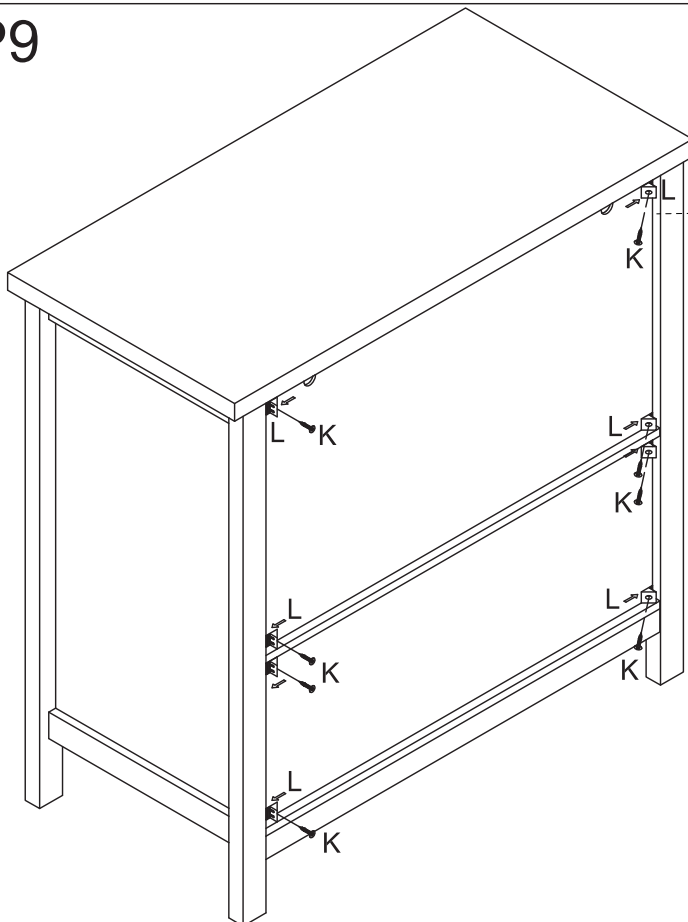
C -  x 6

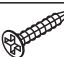

STEP 8



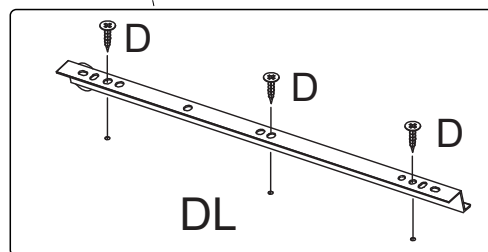
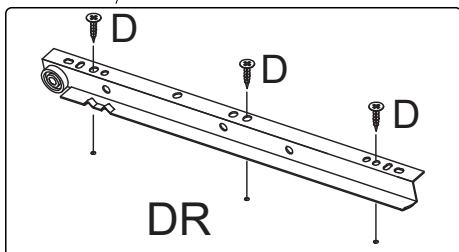
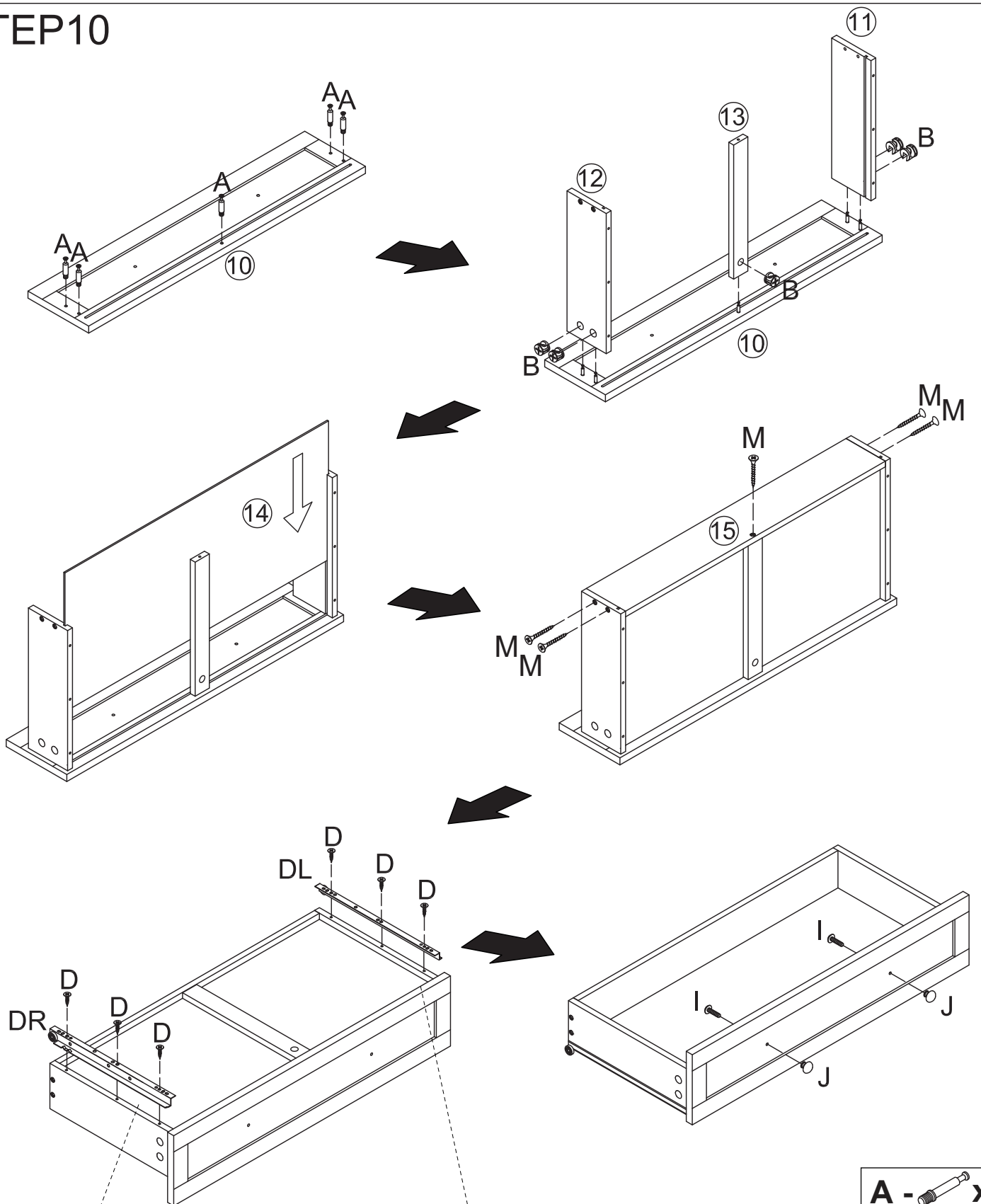
A -  x 4
B -  x 4
E -  x 2
O -  x 2
O -  x 2

STEP 9



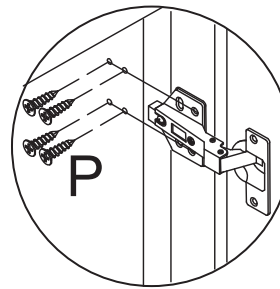
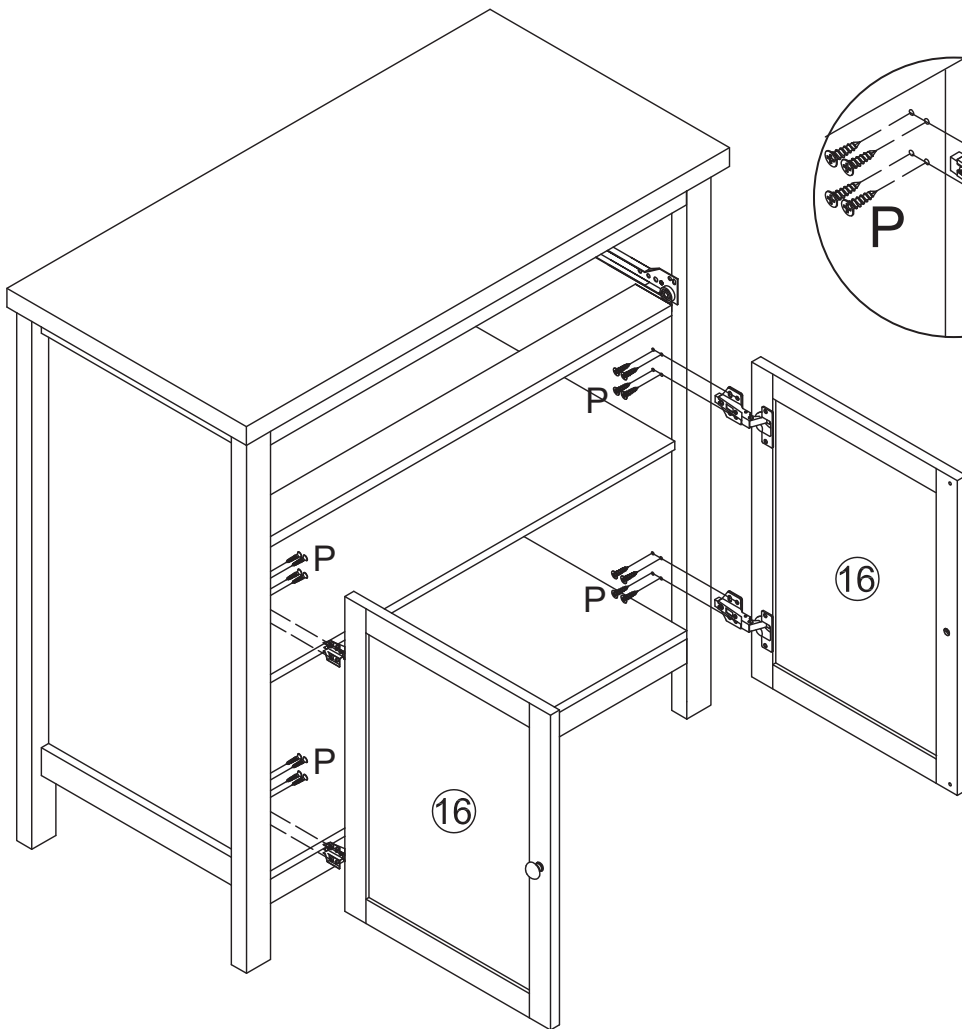
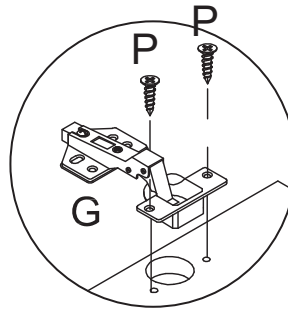
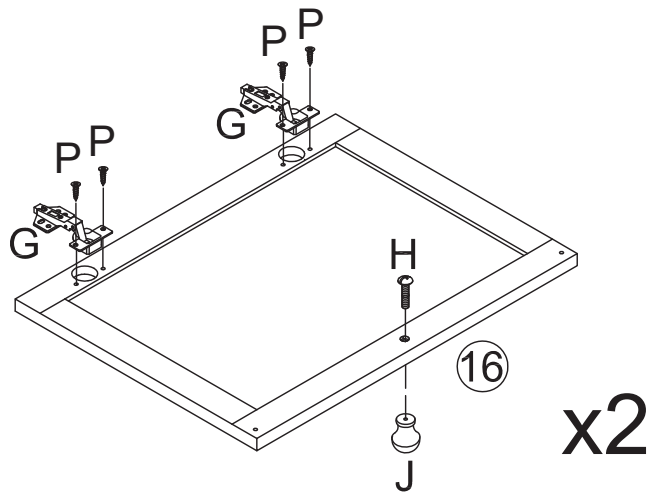
K -  x 8
L -  x 8


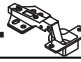
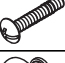

STEP 10



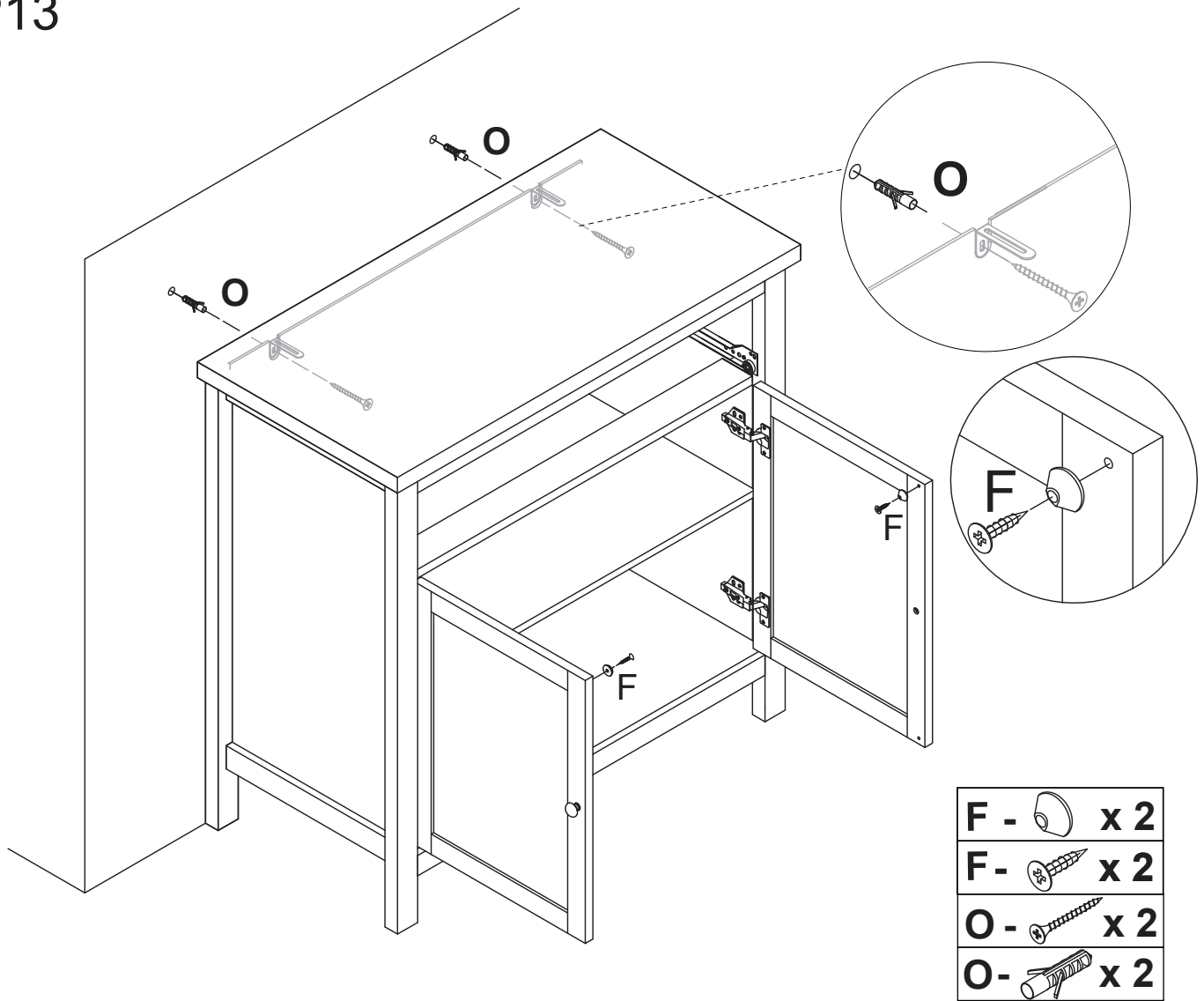
A		x 5
B		x 5
M		x 5
I		x 2
J		x 2
D		x 6
DL		x 1
DR		x 1

STEP 12



P	-		x 24
G	-		x 4
H	-		x 2
J	-		x 2

STEP 13



F -		x 2
F -		x 2
O -		x 2
O -		x 2

WARNING

Children have died from furniture tipover.

- ALWAYS secure it with an anchor device.
- NEVER allow children to stand, climb or hang on drawers, doors, or shelves.
- NEVER open more than one drawer at a time.
- Place heavy items down low.
- Furniture type is at risk of toppling over.

NEVER put a TV
on this furniture

This is a permanent label. Do not remove!

TOPPLING FURNITURE WARNING:

- ALWAYS secure it with an anchor device.
- Please seek professional advice if you are in doubt of what fixing device to use.
- Regularly check that anchors are securely maintained.
- Use safety drawer locks to prevent children climbing.
- Stability of tall items may be affected by thick pile carpet or uneven floors .
- Do not place unanchored televisions on furniture .

CAUTION: for your safety when attaching the anchor fixings, please note the following:

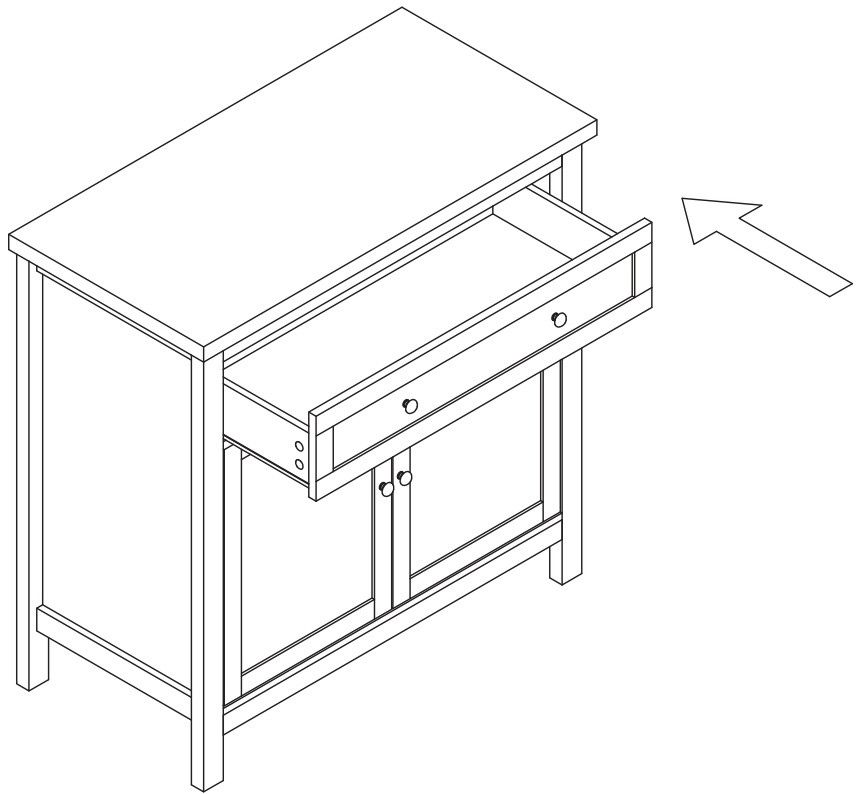
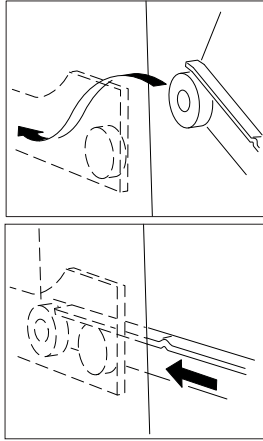
- Check any electrical wires or plumbing inside the wall before drilling any holes (if you are unsure please seek professional advice from a qualified tradesperson).



WARNING: PLEASE SECURE YOUR FURNITURE WITH THE SUPPLIED WALL FIXING. SCAN THE CODE FOR MORE INFORMATION.

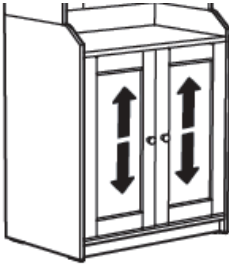
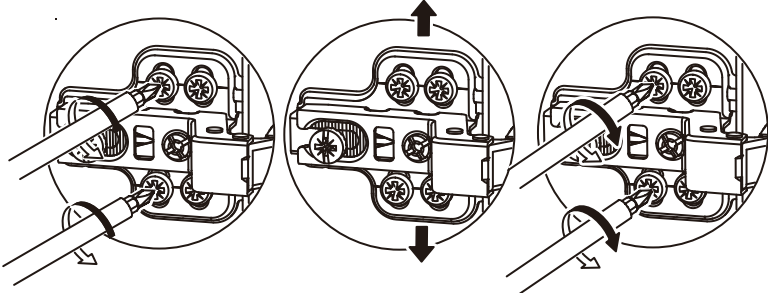
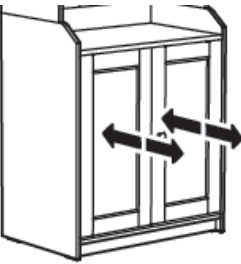
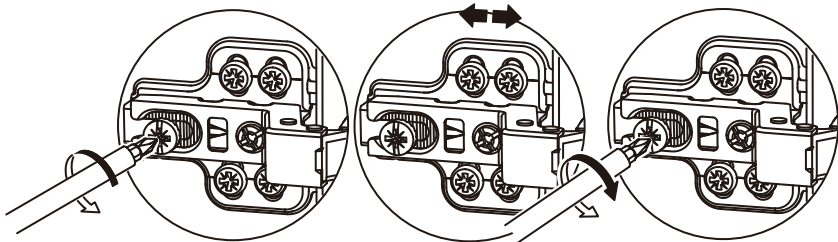
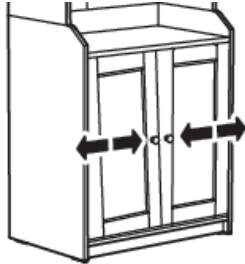
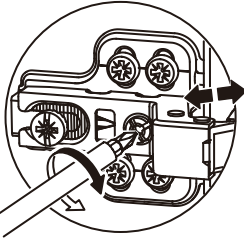


STEP 14



Hinger Adjustment Tips

Noted: The door might be scraping, bumping, misaligned when first assembly.
Please follow the below tips:

 <p>Adjust the door up and down</p>	 <ol style="list-style-type: none"> 1. Loosen the two mounting screws on both hinges, but only slightly. ... 2. Gently close the cabinet door. 3. With the door still closed, adjust the cabinet door to the desired height. 4. Open the cabinet door again, being careful not to jostle the door out of position. 5. Retighten the screws by hand.
 <p>Move the door in and out</p>	 <p>If the door doesn't meet the box at the top, adjust the top hinge toward the cabinet and/or adjust the bottom hinge away from the cabinet. If the door is gapped at the bottom, do the reverse.</p>
 <p>Move the door right or left</p>	 <p>You can adjust one or both hinges on each door, depending on how much correction it needs. If the door seems to be tilting down to the right, turn the side-to-side screw on the top hinge so the hinge pulls closer to the side of the cabinet box, moving the top of the door to the left.</p>