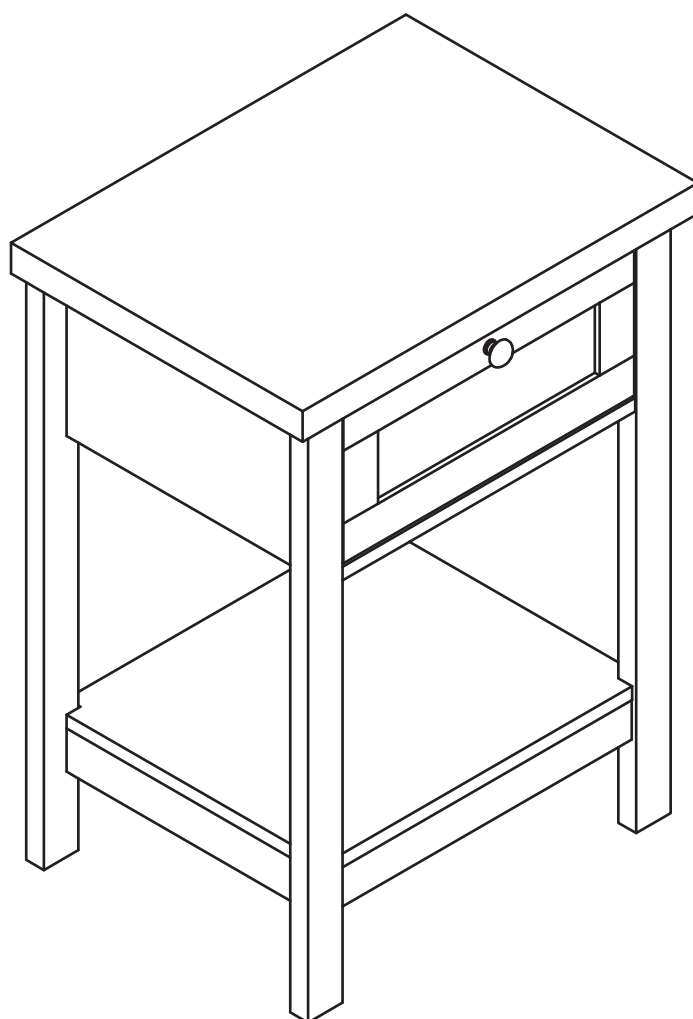


# OLIVER BEDSIDE TABLE

## Instruction Manual



The photos and illustrations shown in this instruction manual are generic.  
The manufacturer reserves the right to change any specification or feature without prior notice.

**IMPORTANT: KEEP FOR FUTURE REFERENCE. READ CAREFULLY.**

# Assembly Instructions

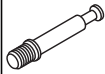

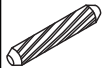
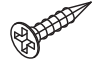












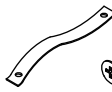


## 43707386/72429310 OLIVER BEDSIDE TABLE

**CARE INSTRUCTIONS:** WIPE CLEAN WITH A SOFT DAMP CLOTH. NEVER USE SCOURERS OR CHEMICAL SOLVENTS. KEEP AWAY MOISTURE AND DIRECT SUNLIGHT. STORE IN A DRY PLACE. FOR INDOOR USE ONLY.

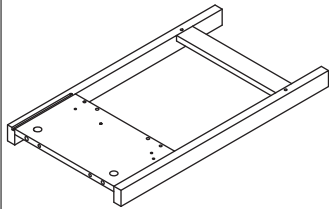
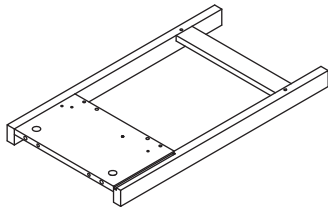
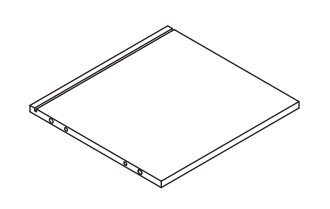
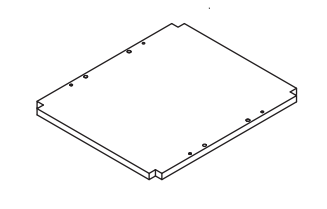
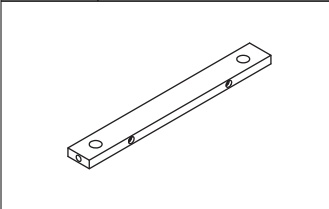
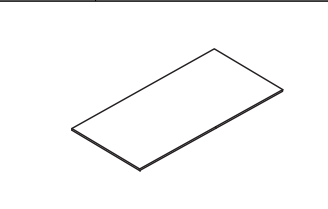
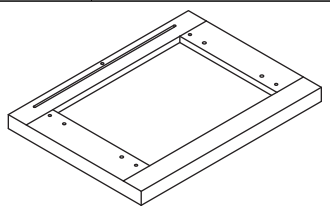
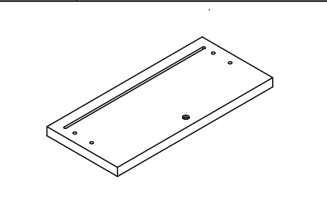
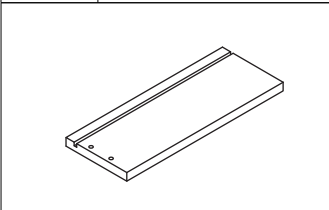
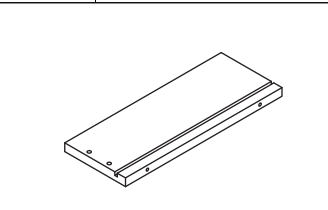
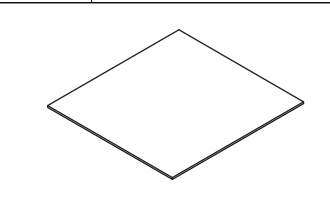
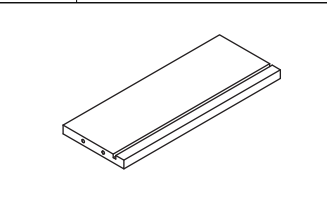
**WARNING:** DO NOT STAND, SIT OR LEAN ON THE UNIT. DO NOT USE THIS UNIT AS A STEP LADDER. ENSURE THIS UNIT IS USED ONLY ON A FLAT SURFACE. DO NOT USE THIS UNIT UNLESS ALL BOLTS AND SCREWS ARE FIRMLY SECURED. DO NOT PLACE HOT OBJECTS SUCH AS COFFEE CUPS DIRECTLY ON THE SURFACE OF THIS FURNITURE ITEM. THIS ITEM IS FOR STORAGE PURPOSES ONLY. CONTAINS SMALL PARTS. IT IS TO BE ASSEMBLED BY AN ADULT. FAILURE TO FOLLOW THESE WARNINGS COULD RESULT IN SERIOUS INJURY.

**MAXIMUM SAFE LOAD: 10KG FOR TOP, 5KG FOR DRAWER, 5KG FOR SHELF.**

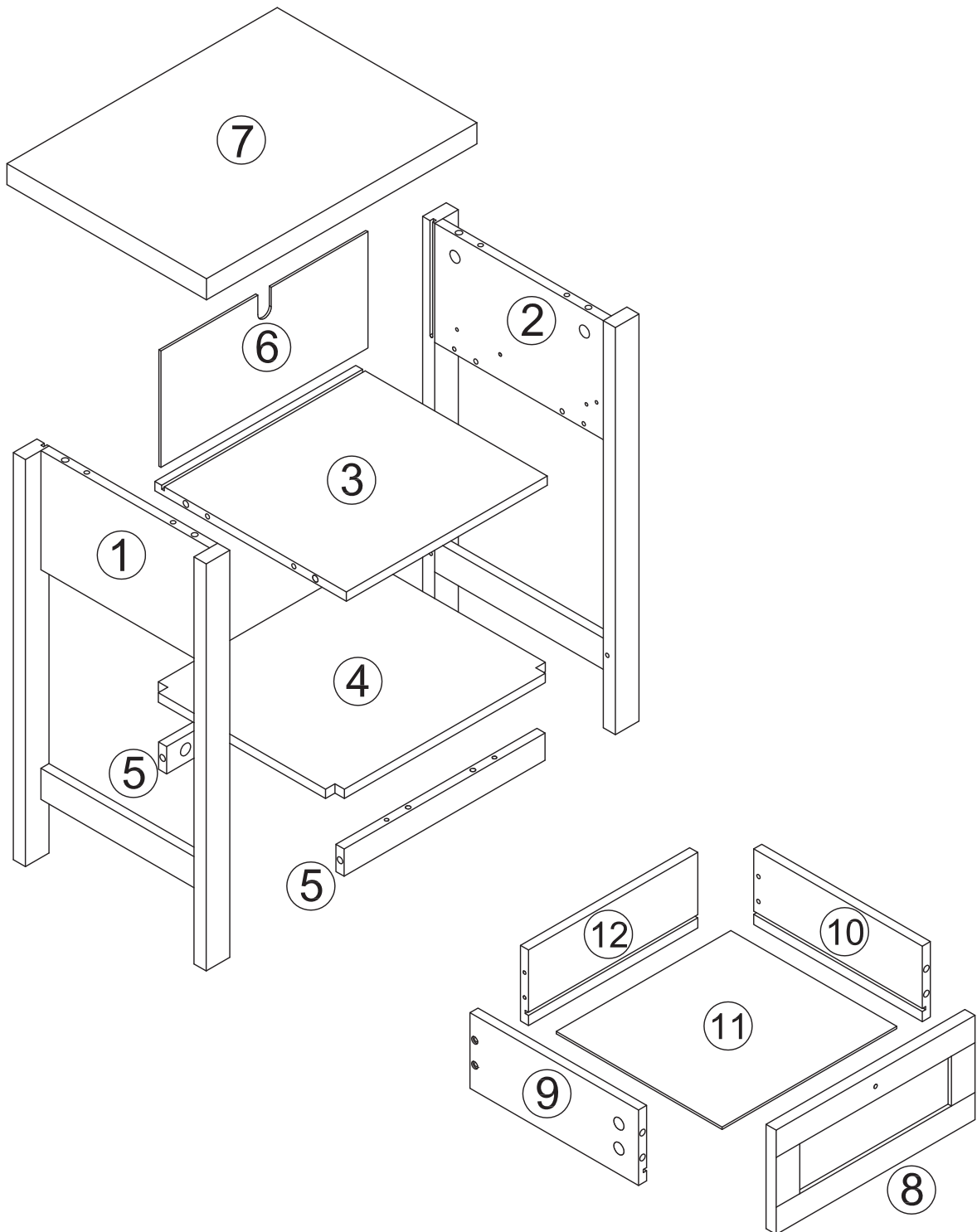
### 1 Hardware List

A		6x35mm	16pcs	B		15x10mm	16pcs	C		6x30mm	12pcs	D		3.5x12mm	12pcs
E		4x16mm	1pc	F			1pc	G		4x40mm	4pcs	H		4x30mm	4pcs
I			4pcs	J		3x14mm	4pcs	K			4pcs				
CL			1pc	CR			1pc	DL			1pc	DR			1pc
L	   						1set								

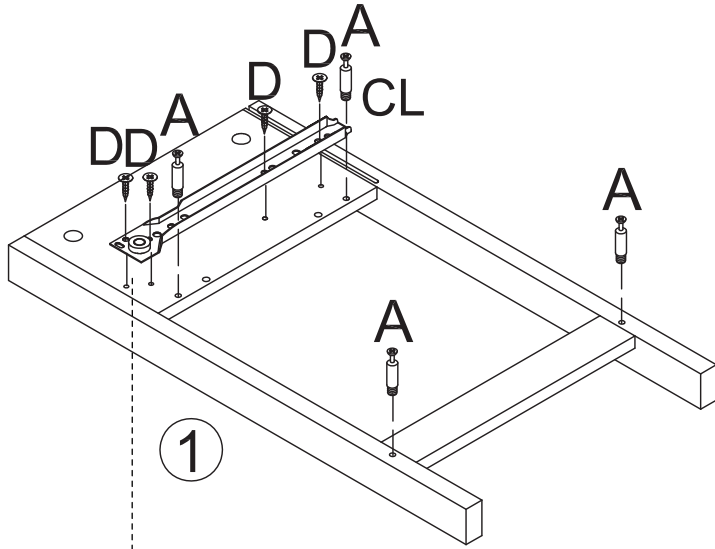
### 2 Parts List

			
①	1pc	②	1pc
			
⑤	2pcs	⑥	1pc
			
⑨	1pc	⑩	1pc
		⑪	1pc
			⑫
			1pc

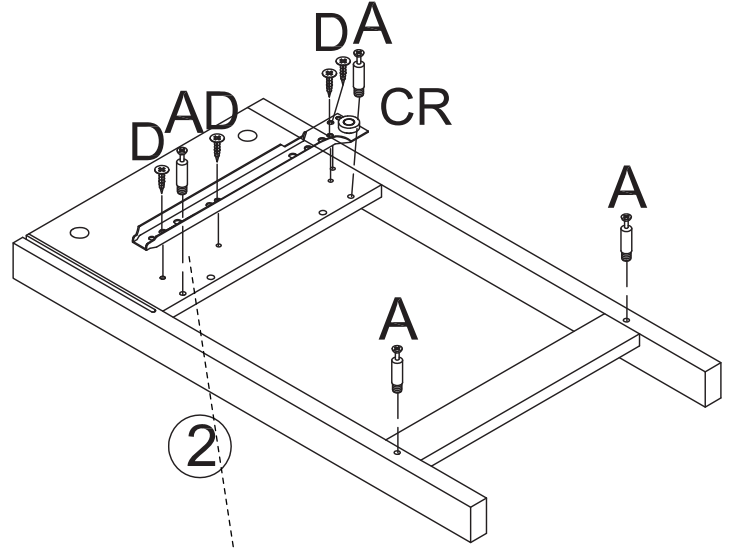
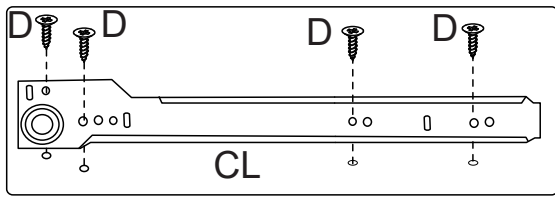
# PANEL LAYOUT



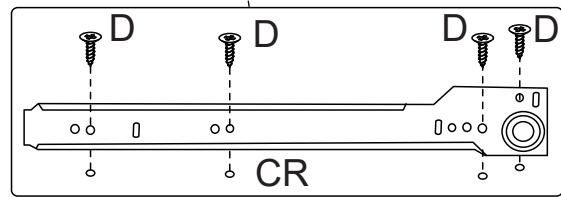
# STEP1

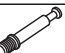





1

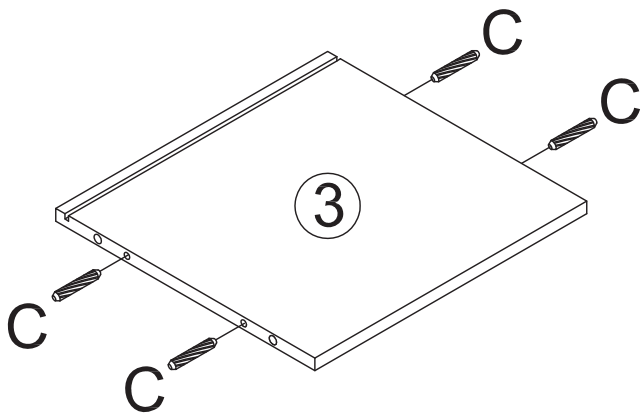


2

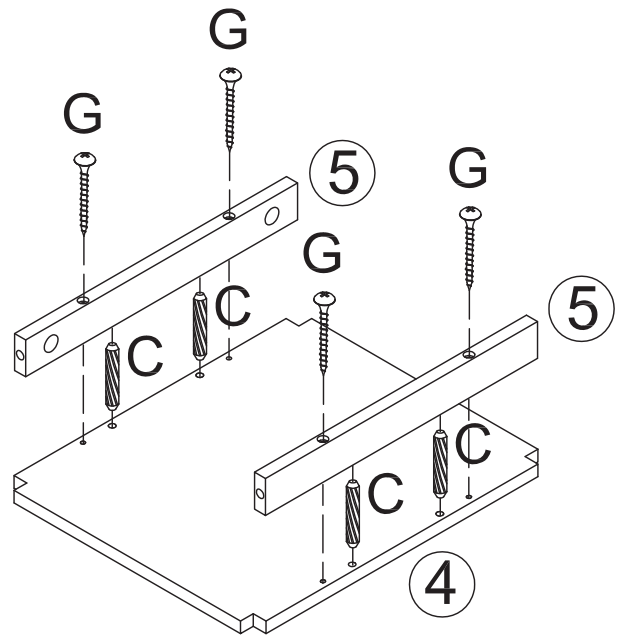


A	-		× 8
D	-		× 8
CL	-		× 1
CR	-		× 1

# STEP2





3

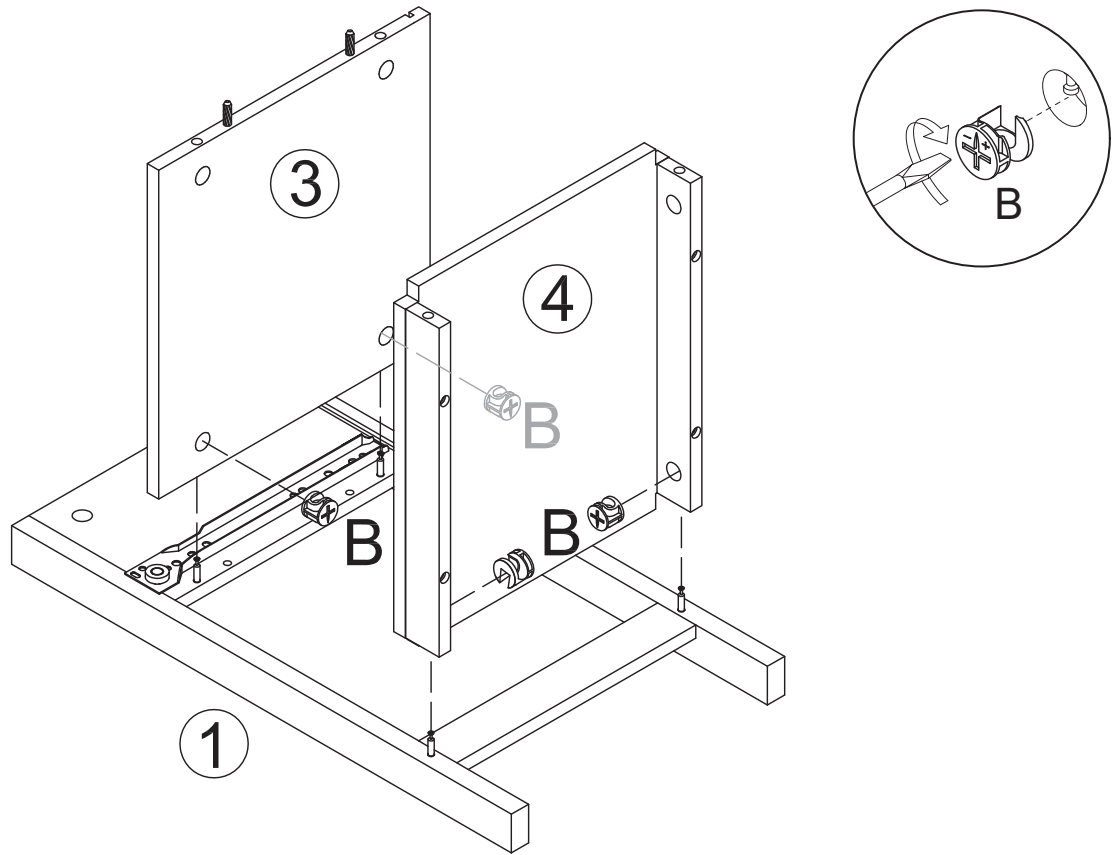


5

4

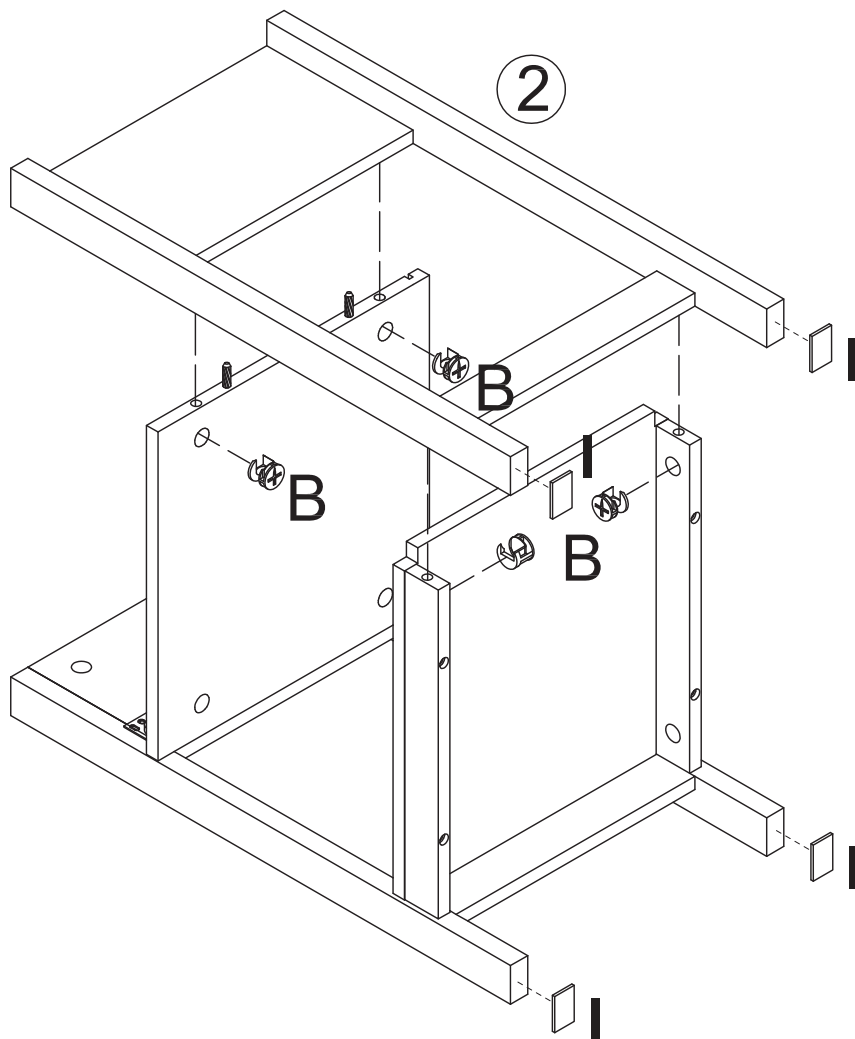
C	-		× 8
G	-		× 4


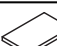
# STEP3



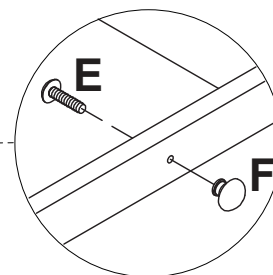
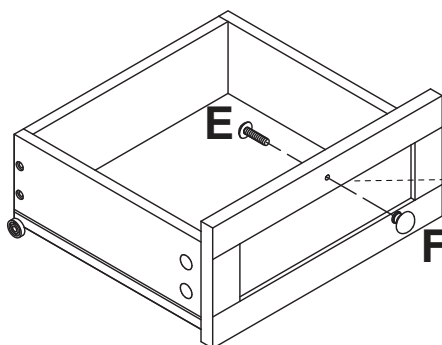
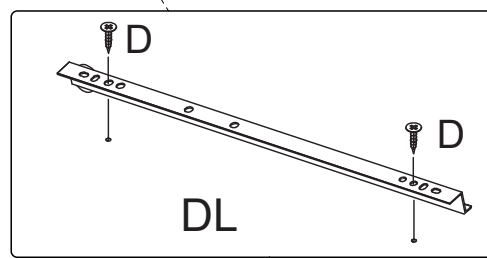
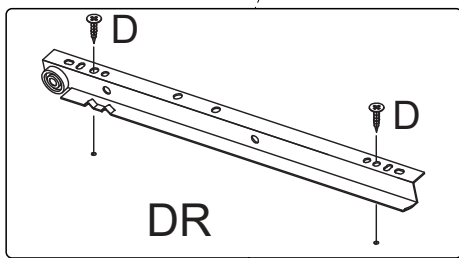
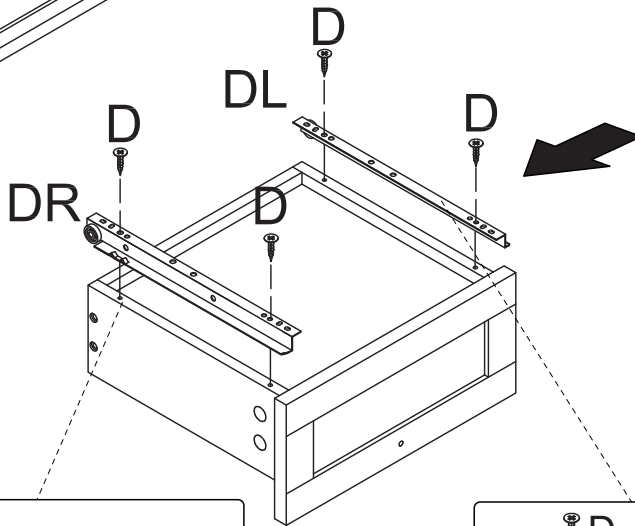
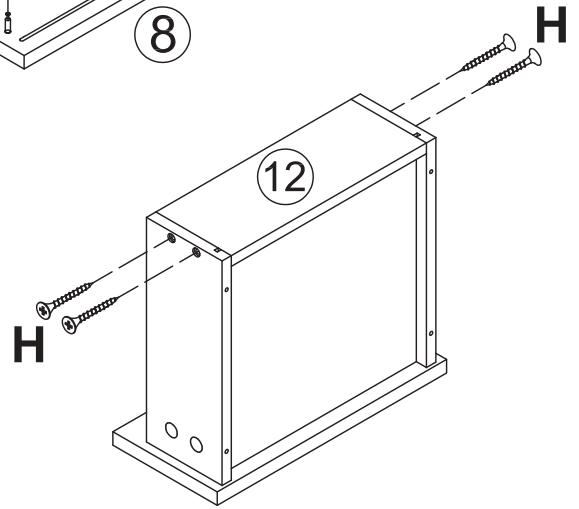
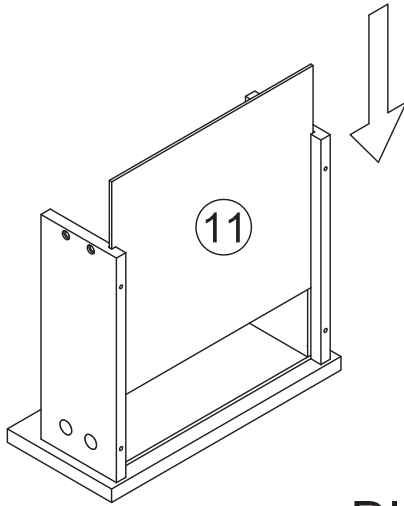
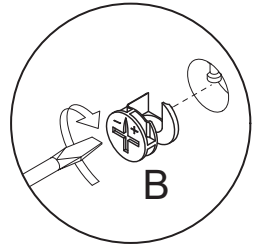
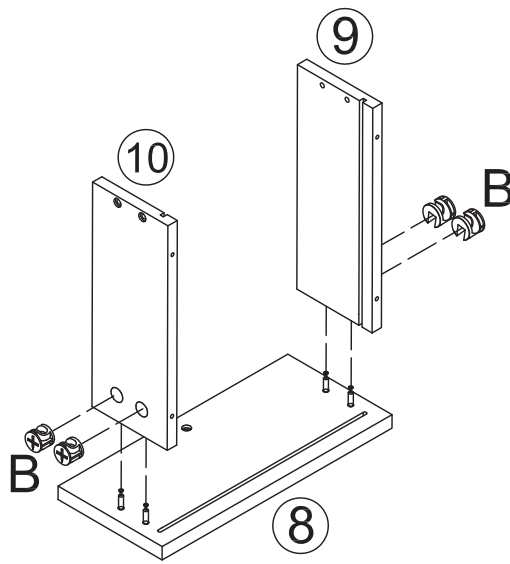
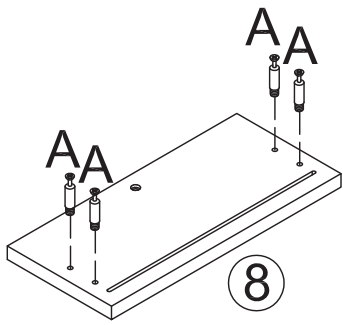
**B -  x 4**

# STEP4



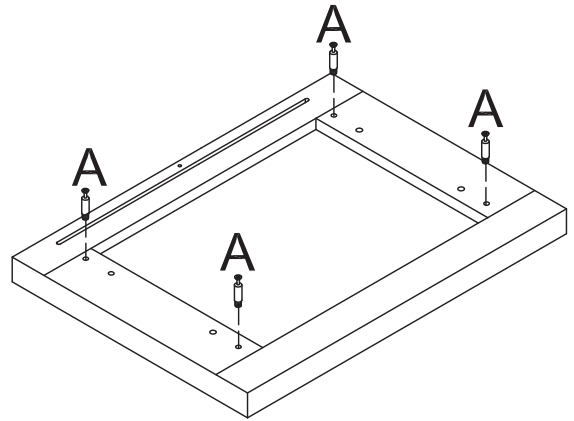
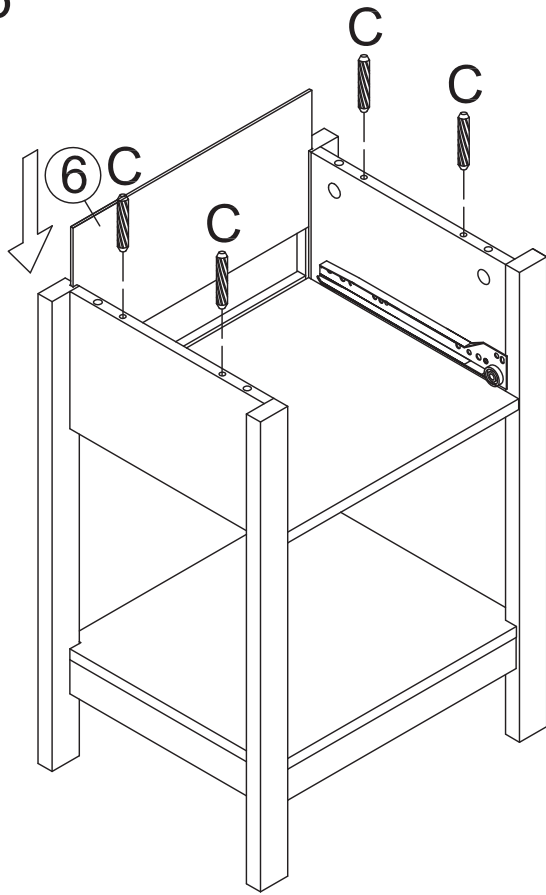
**B -  x 4**  
**I -  x 4**



# STEP 5



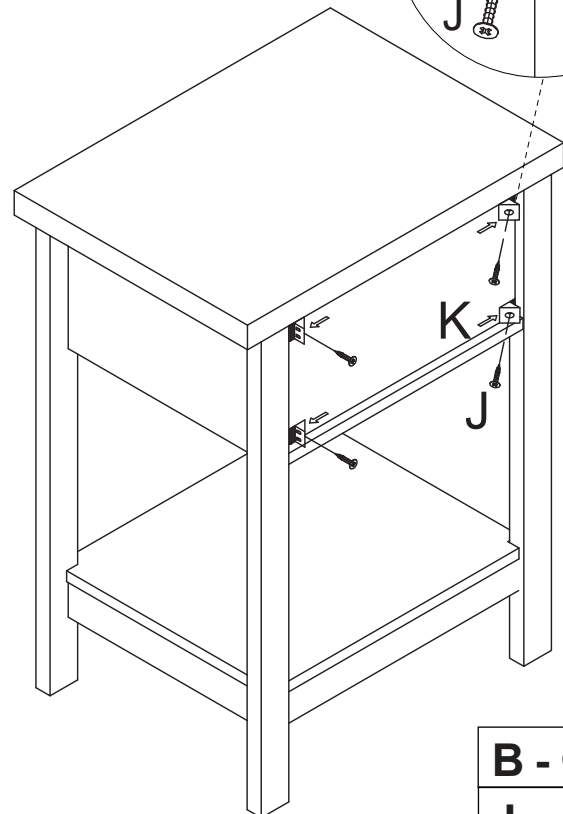
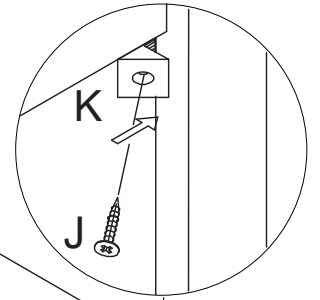
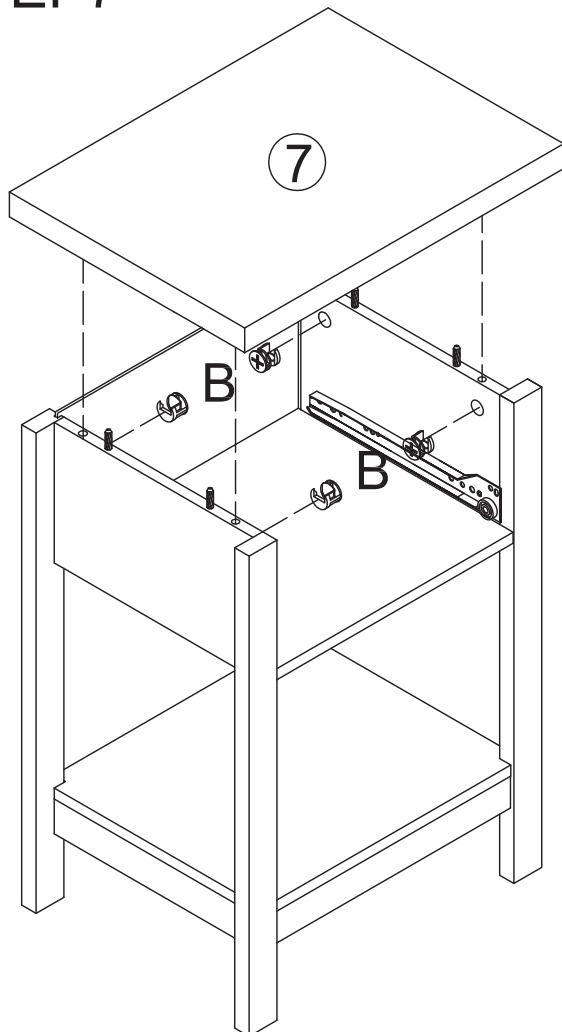
A	-	x 4
B	-	x 4
H	-	x 4
E	-	x 1
F	-	x 1
D	-	x 4
DL	-	x 1
DR	-	x 1




# STEP 6



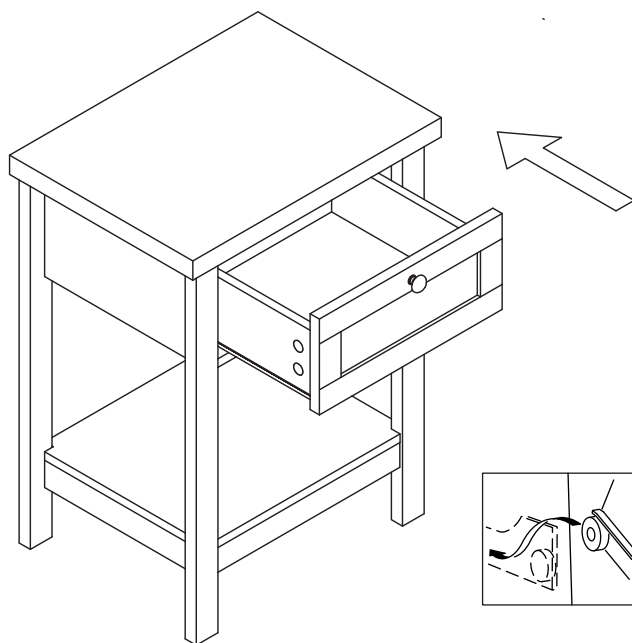
- |  |
|--|
| <b>C</b> -  x 4 |
| <b>A</b> -  x 4 |

# STEP 7

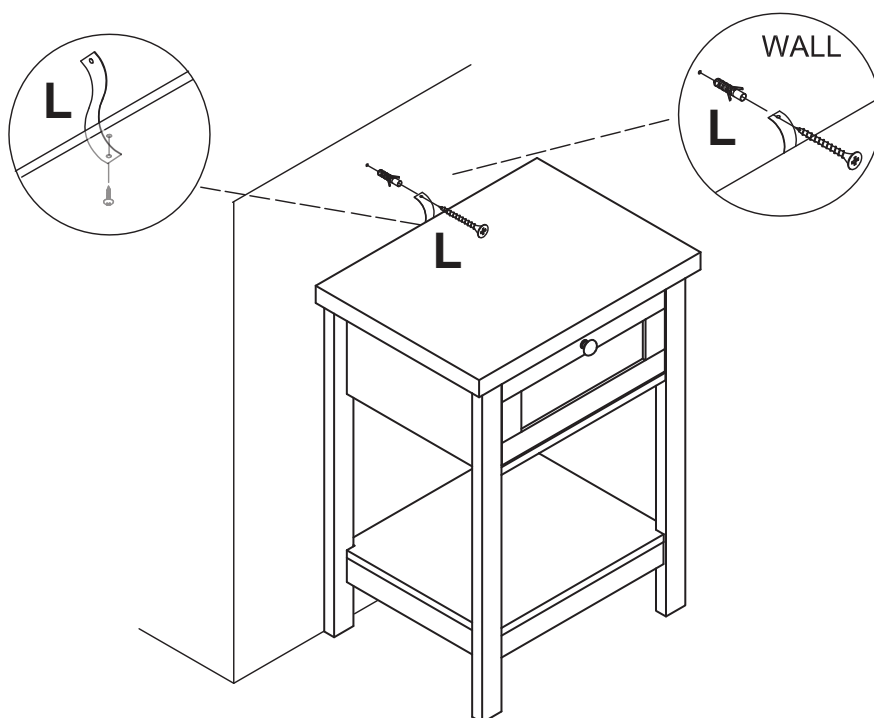


- |  |
|--|
| <b>B</b> -  x 4 |
| <b>J</b> -  x 4 |
| <b>K</b> -  x 4 |

# STEP 8



# STEP 9



L -		x 1
L -		x 1
L -		x 1
L -		x 1

**⚠ WARNING**

Children have died from furniture tipping over. ALWAYS secure it with an anchor device. NEVER allow children to stand, climb or hang on drawers, doors, or shelves.

- NEVER open more than one drawer at a time.
- Place heavy items down low.
- Furniture type is at risk of toppling over.

NEVER put a TV on this furniture

This is a permanent label. Do not remove!

### TOPPLING FURNITURE WARNING:

- ALWAYS secure it with an anchor device.
- Please seek professional advice if you are in doubt of what fixing device to use.
- Regularly check that anchors are securely maintained.
- Use safety drawer locks to prevent children climbing.
- Stability of tall items may be affected by thick pile carpet or uneven floors .
- Do not place unanchored televisions on furniture .

**CAUTION:** for your safety when attaching the anchor fixings, please note the following:

- Check any electrical wires or plumbing inside the wall before drilling any holes (if you are unsure please seek professional advice from a qualified tradesperson).



WARNING: PLEASE SECURE YOUR FURNITURE WITH THE SUPPLIED WALL FIXING. SCAN THE CODE FOR MORE INFORMATION.

