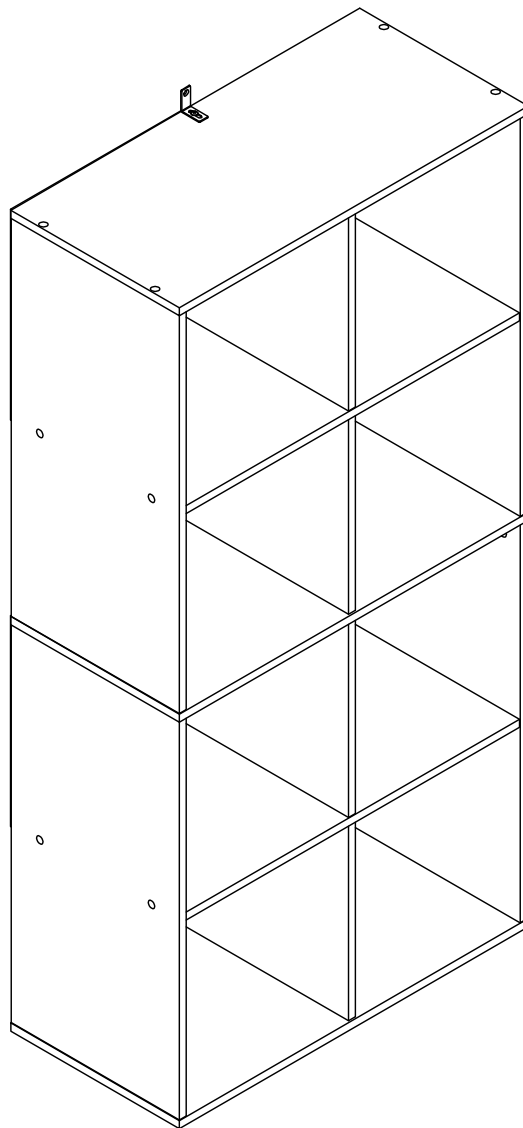


8 Cube Unit Instruction Manual



The photos and illustrations shown in this instruction manual are generic.
The manufacturer reserves the right to change any specification or feature without prior notice.

IMPORTANT: KEEP FOR FUTURE REFERENCE. READ CAREFULLY.

Assembly Instructions

42633297/42633280/43707348 8 Cube Unit

WARNING:

DO NOT STAND, SIT OR LEAN ON THIS UNIT.

DO NOT USE THIS UNIT AS A STEP LADDER OR AS A CHOPPING SURFACE.

KEEP AWAY FROM CHILDREN AND BABIES.

ADULT ASSEMBLY REQUIRED.

USE ONLY ON A FLAT SURFACE.

DO NOT USE THIS UNIT UNLESS ALL BOLTS AND SCREWS ARE FIRMLY SECURED.

CARE INSTRUCTIONS:

TO BE ASSEMBLED ON A CLEAN, DRY AND SMOOTH SURFACE.

WIPE CLEAN WITH A SOFT DAMP CLOTH.

NEVER USE SCOURERS, ABRASIVES OR CHEMICAL SOLVENTS.

CHECK AND TIGHTEN ALL PARTS REGULARLY.

KEEP AWAY FROM MOISTURE AND DIRECT SUNLIGHT.




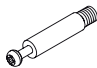








STORE IN A DRY PLACE.

FOR INDOOR AND DOMESTIC USE ONLY.





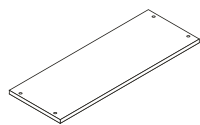
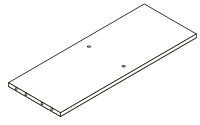
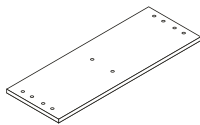


MAXIMUM SAFE LOAD:

10KG FOR TOP PANEL, 5KG FOR EACH SHELF.

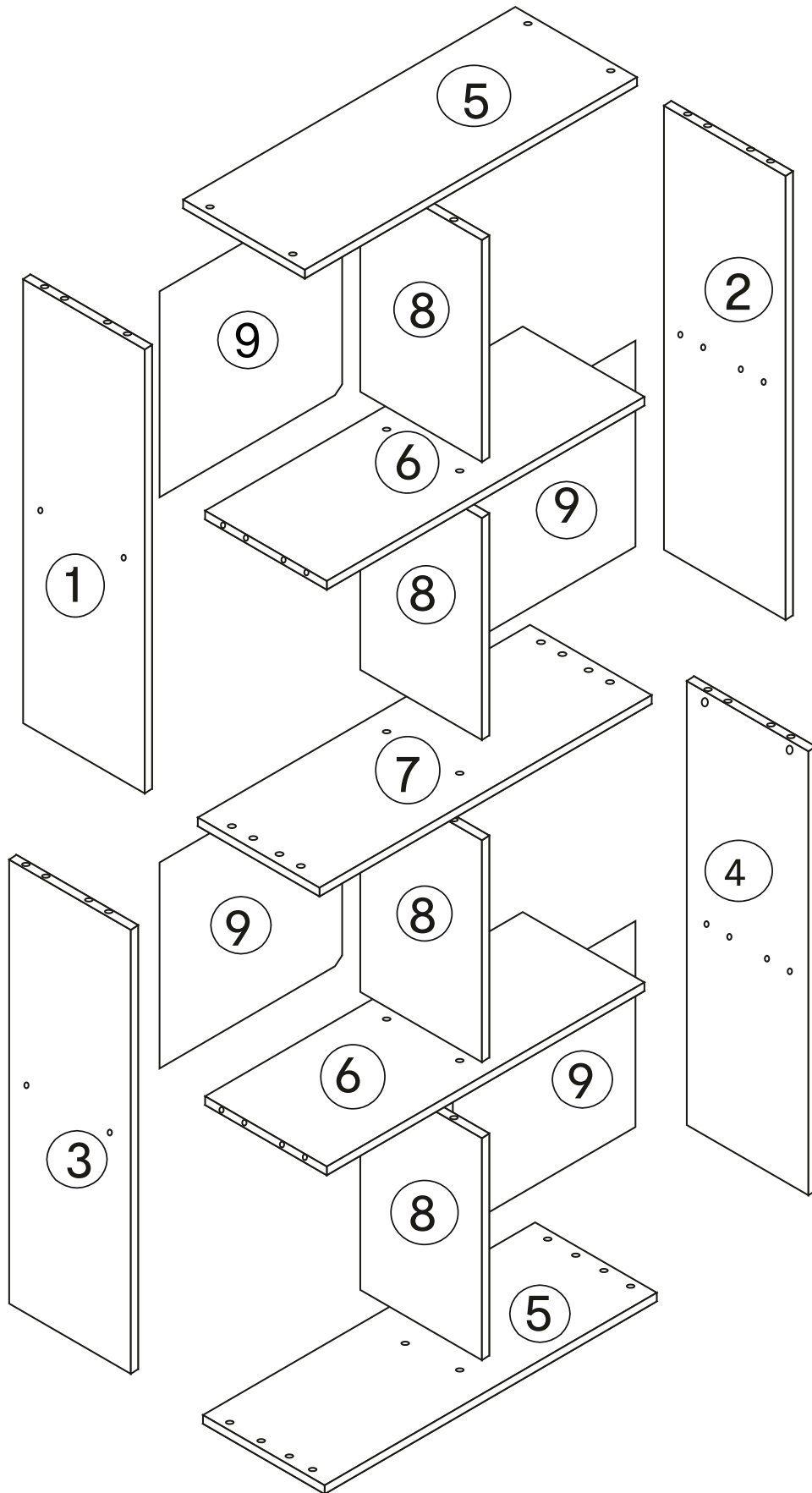
1 Hardware List

A		M4x35mm	20pcs	B		Ø6x30mm	20pcs	C		Ø6x50mm	10pcs	D		M6x27mm	4pcs
E		Ø15x10mm	4pcs	F			1pc	G		M4x12mm	1pc	H			1pc
I		M4x35mm	1pc	J			16pcs	K			48pcs	L			6pcs

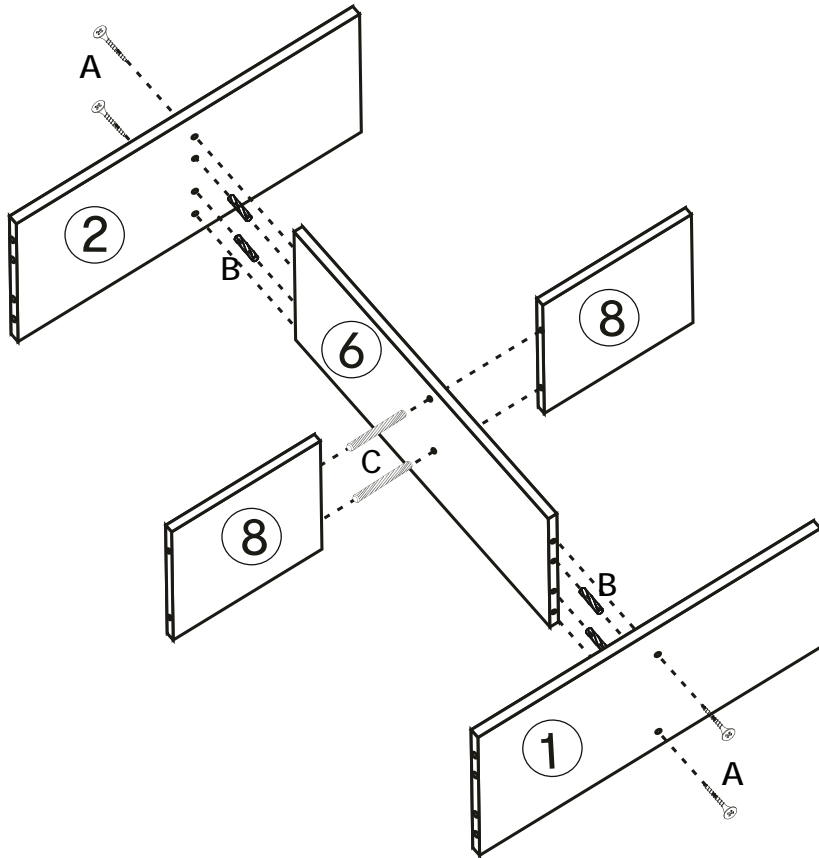
2 Parts List

			
①	1PC	②	1PC
			
⑤	2PCS	⑥	2PCS
			
⑨	4PCS		

PANEL LAYOUT



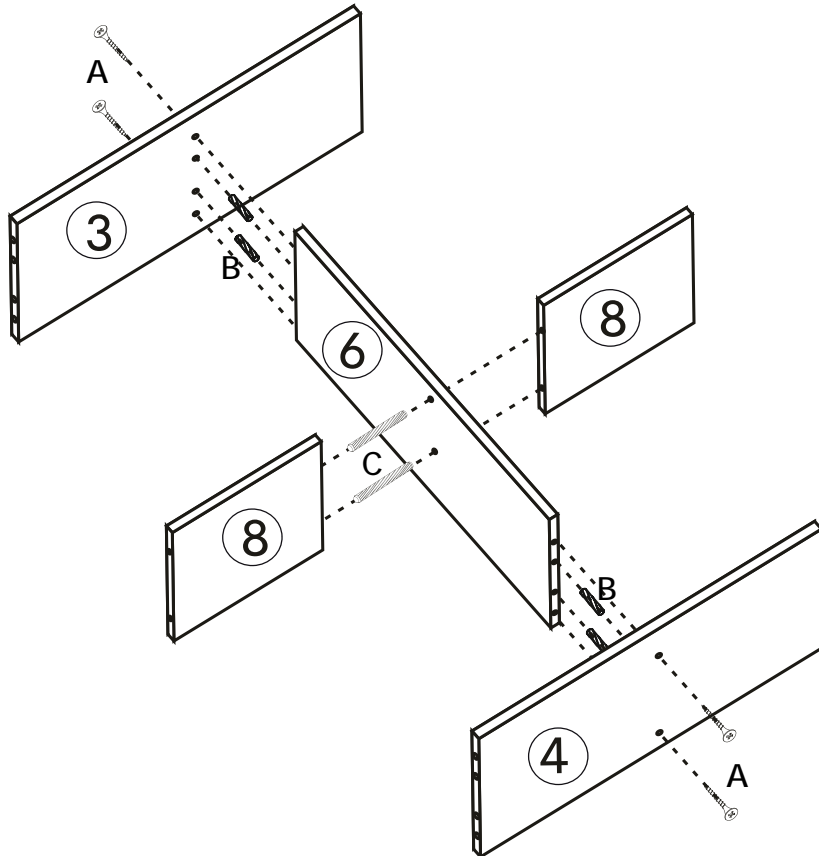
STEP 1



Tool required
Philips Head Screw Driver
(Not Provided)

A-  x 4 B-  x 4 C-  x 2

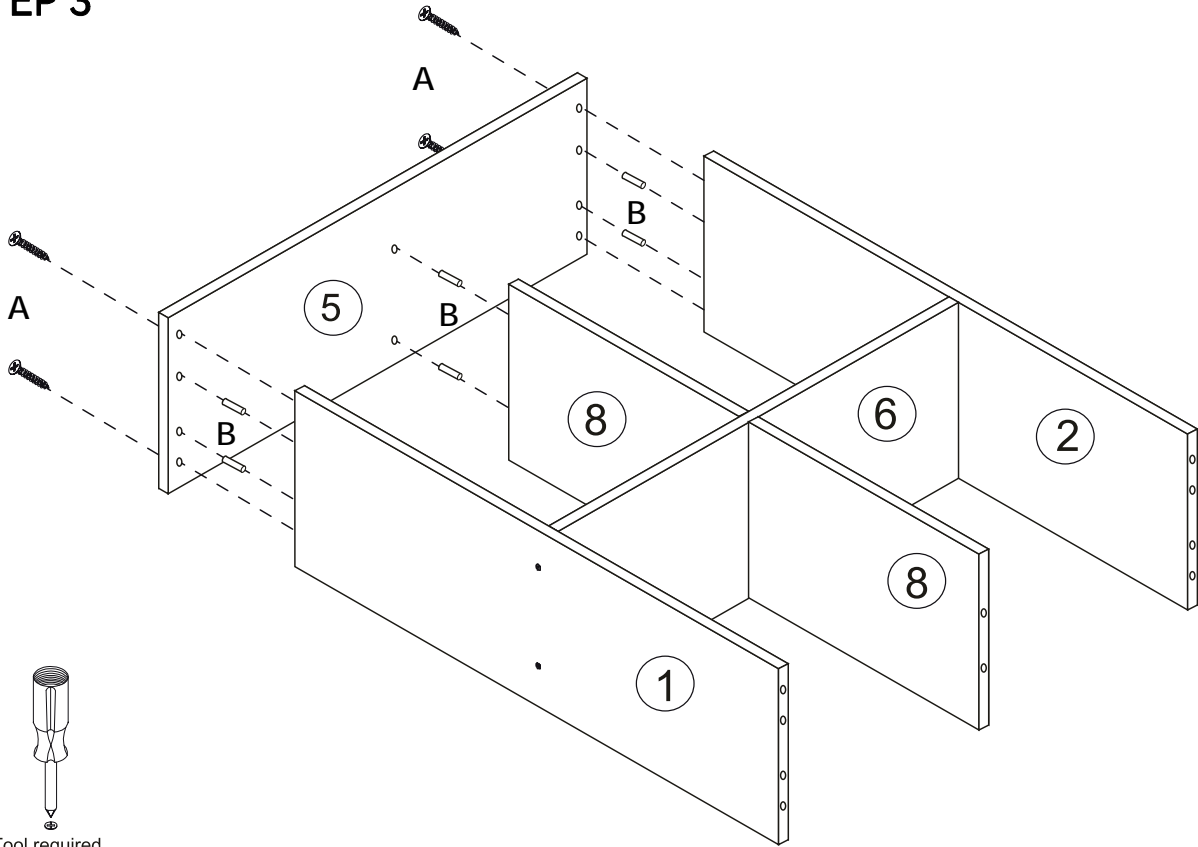
STEP 2



Tool required
Philips Head Screw Driver
(Not Provided)

A-  x 4 B-  x 4 C-  x 2

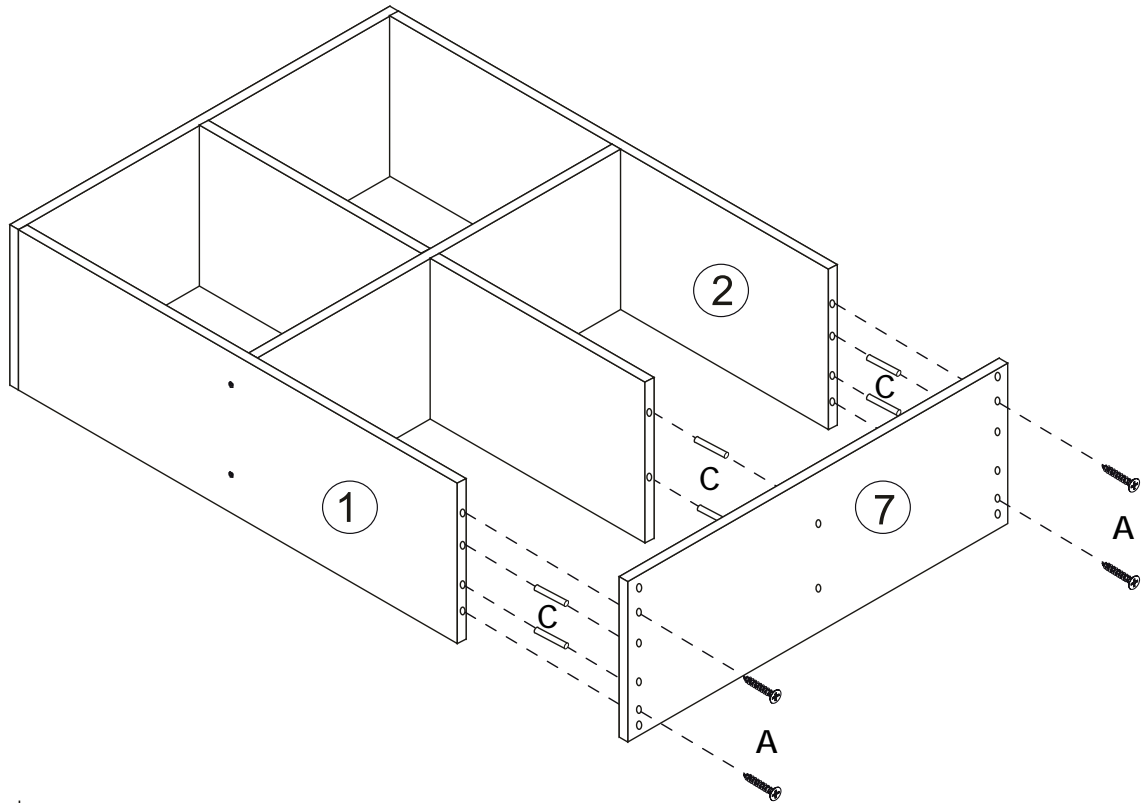
STEP 3





Tool required
Philips Head Screw Driver
(Not Provided)

A -  x 4 B -  x 6

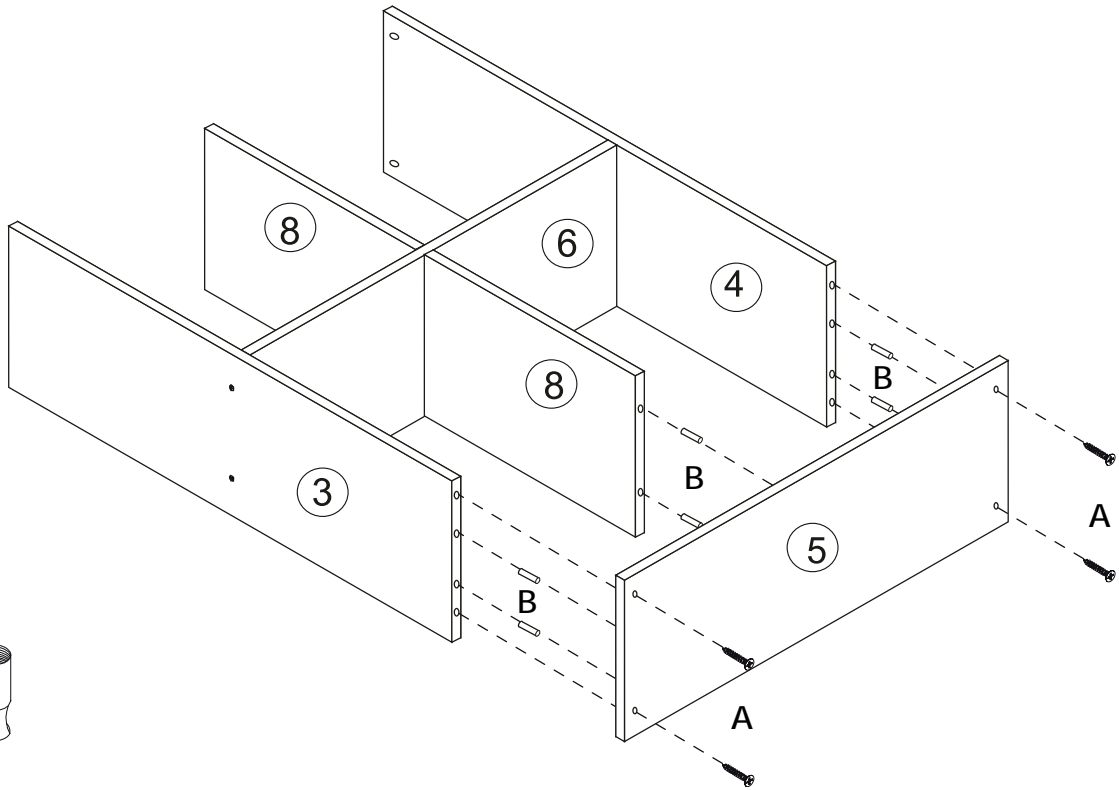
STEP 4





Tool required
Philips Head Screw Driver
(Not Provided)

A -  x 4 C -  x 6

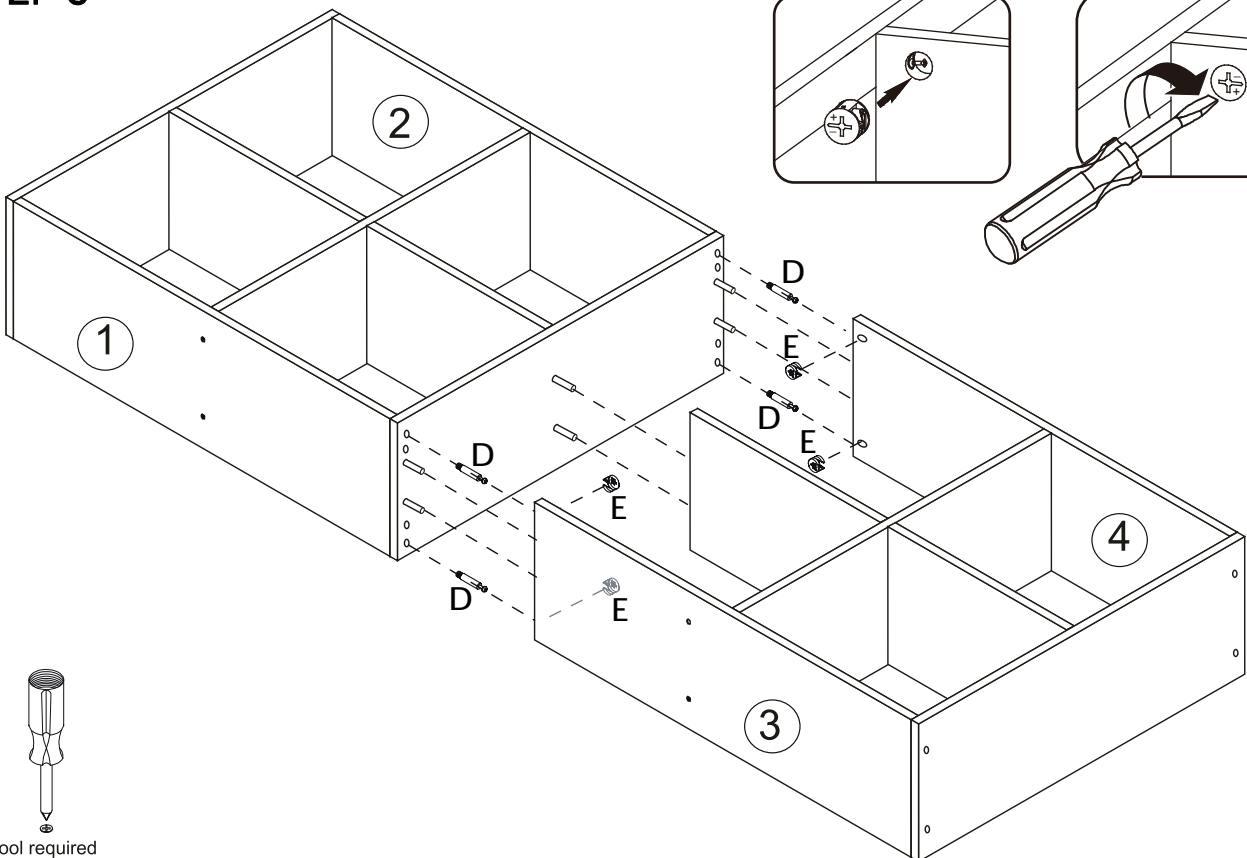
STEP 5



Tool required
Philips Head Screw Driver
(Not Provided)

A -  x 4 B -  x 6

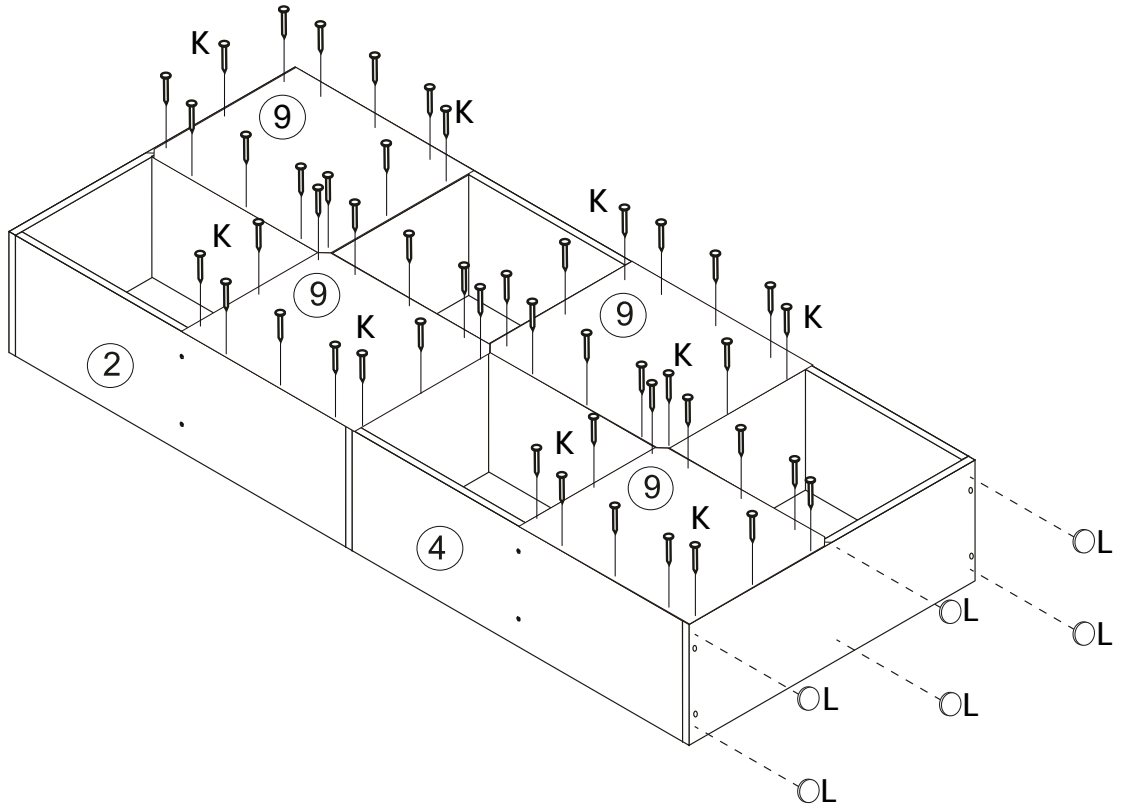
STEP 6





Tool required
Philips Head Screw Driver
(Not Provided)

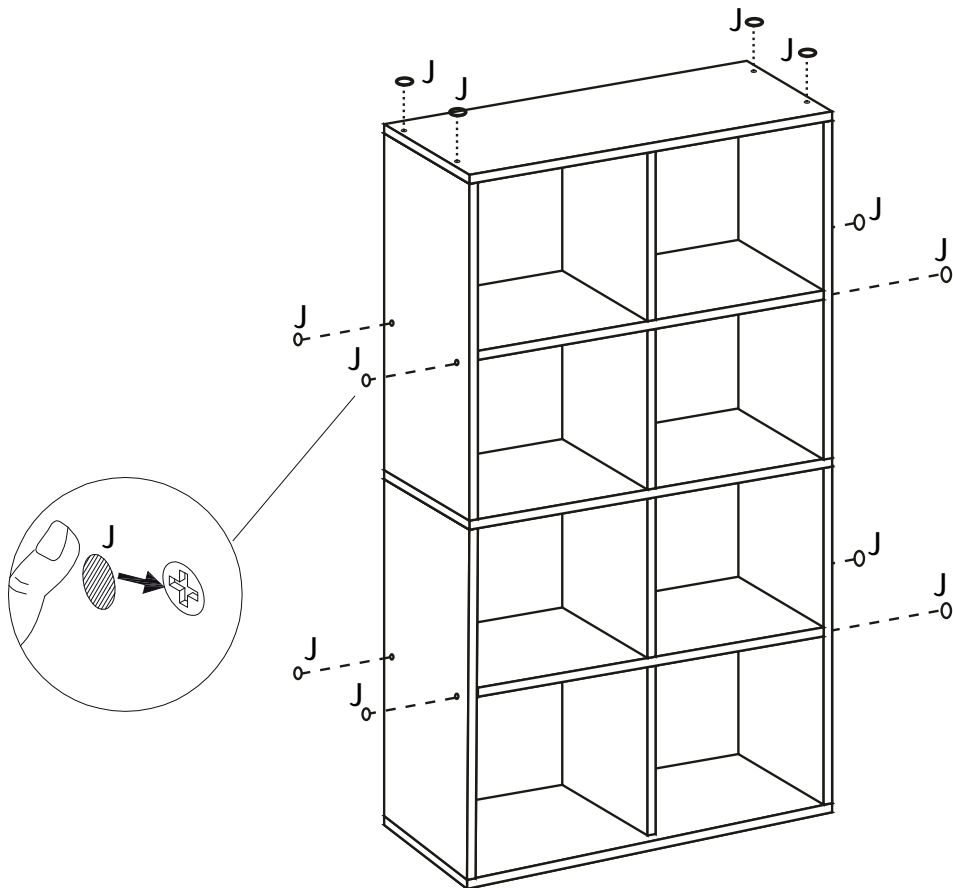
D -  x 4 E -  x 4

STEP 7







K -  x 48 L -  x 6

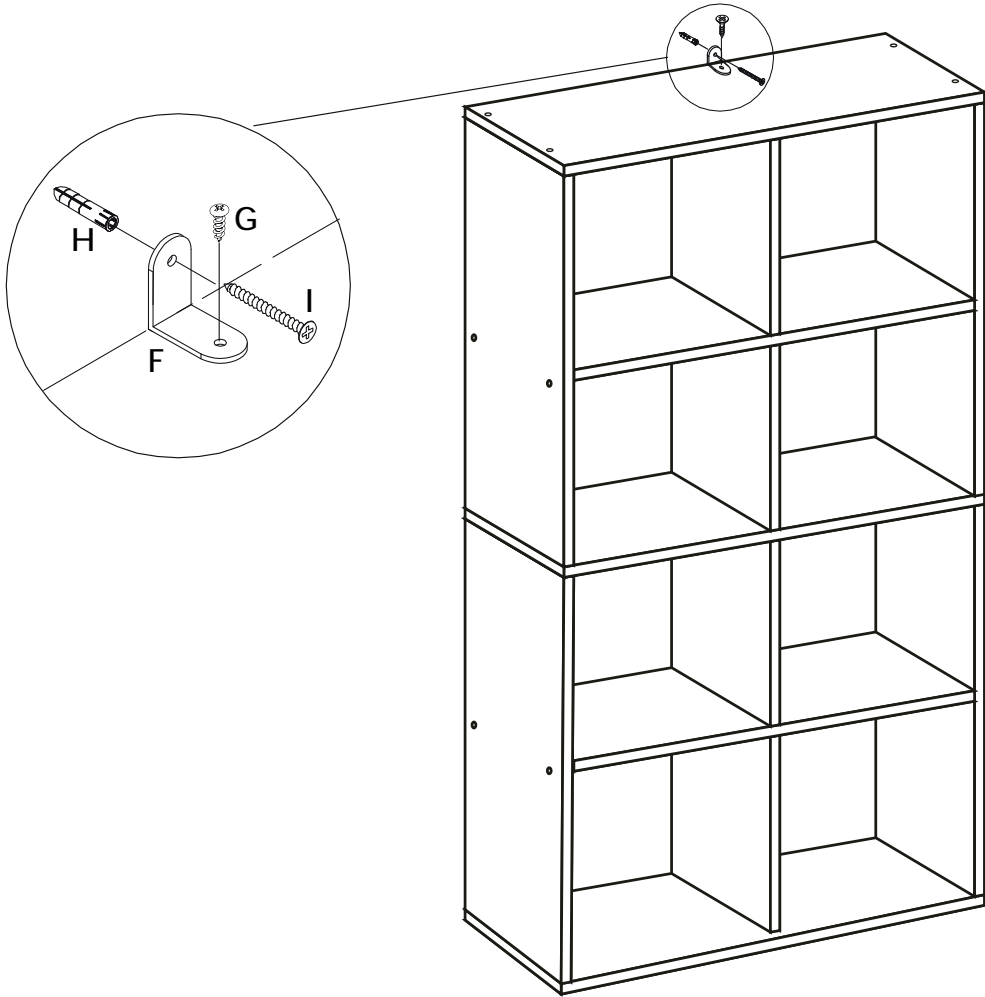
STEP 8





J -  x 12

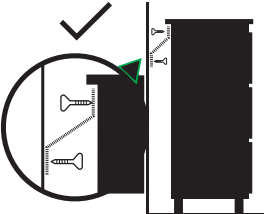
STEP 9

- F -  x1
- G -  x1
- H -  x1
- I -  x1



 **WARNING**






Children have died from furniture tipover.

- ALWAYS secure it with an anchor device.
- NEVER allow children to stand, climb or hang on drawers, doors, or shelves.
- NEVER open more than one drawer at a time.
- Place heavy items down low.

NEVER put a TV on this furniture



This is a permanent label. Do not remove!

TOPPLING FURNITURE WARNING:

- ALWAYS** secure it with an anchor device.
- Please seek professional advice if you are in doubt of what fixing device to use.
- Regularly check that anchors are securely maintained.
- Use safety drawer locks to prevent children climbing.
- Stability of tall items may be affected by thick pile carpet or uneven floors .
- Do not place unanchored televisions on furniture .

CAUTION: for your safety when attaching the anchor fixings, please note the following:

- Check any electrical wires or plumbing inside the wall before drilling any holes (if you are unsure please seek professional advice from a qualified tradesperson).



TOPPLING HAZARD

WARNING: PLEASE SECURE YOUR FURNITURE WITH THE SUPPLIED WALL FIXING. SCAN THE CODE FOR MORE INFORMATION.

