

Assembly Instructions






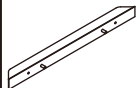



43706389 12 TUB STORAGE UNIT

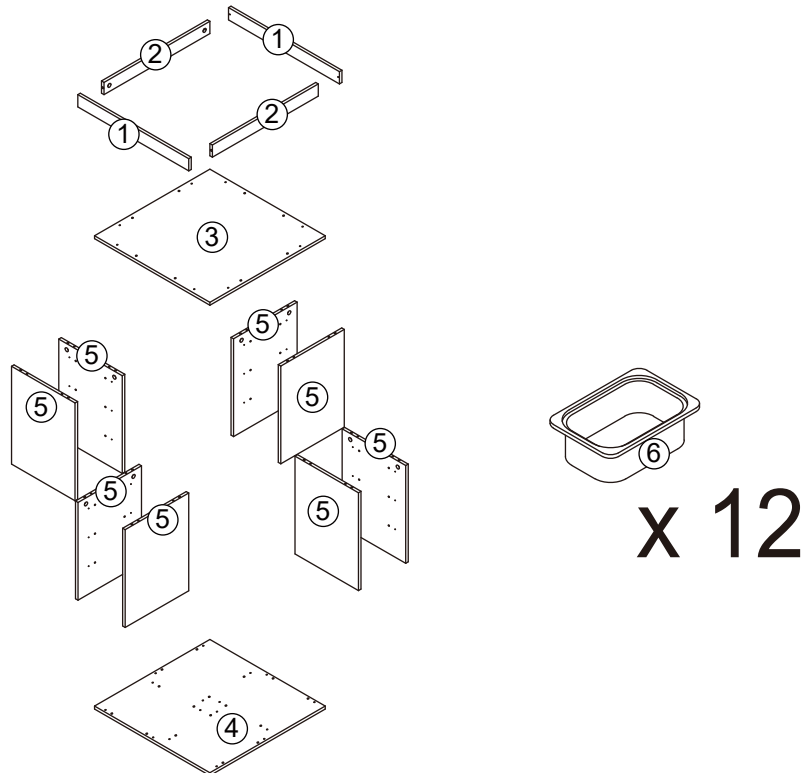
CARE INSTRUCTION: Wipe clean with a soft dry or damp cloth. Keep away from water and direct sunlight. For indoor and domestic use. Check and tighten all parts regularly.

WARNINGS: Do not stand or sit on the unit. Do not lean on the product. Do not drag the product. Use only on a flat surface. Do not use until all screws, bolts and knobs are firmly secured. This product contains small parts and sharp points, keep away from children and babies. Adult assembly required. Failure to follow these warnings could result in serious injury.

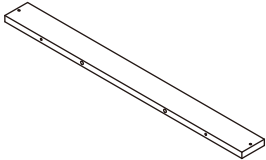
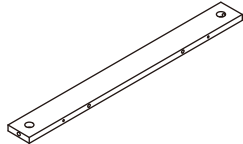
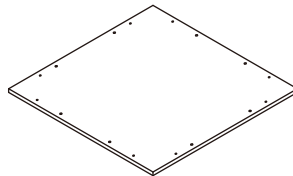
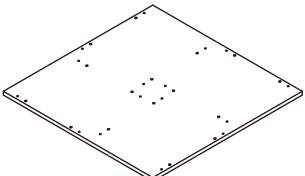
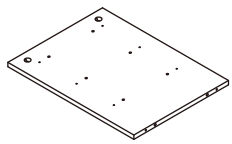
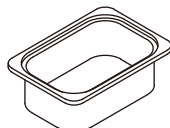
MAXIMUM TOTAL LOADING WEIGHT: 10KGS FOR TOP PANEL, 2KGS FOR EACH TUB, 34KGS IN TOTAL.

Hardware list

	a		20PCS		g		2PCS
	b		20PCS		h		2PCS
	c	6X30mm	40PCS		i		24PCS
	d	3X12mm	48PCS				
	e	4X12mm	16PCS				
	f	4X35mm	24PCS				



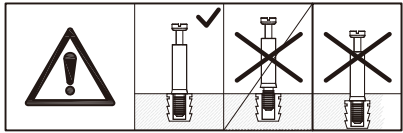
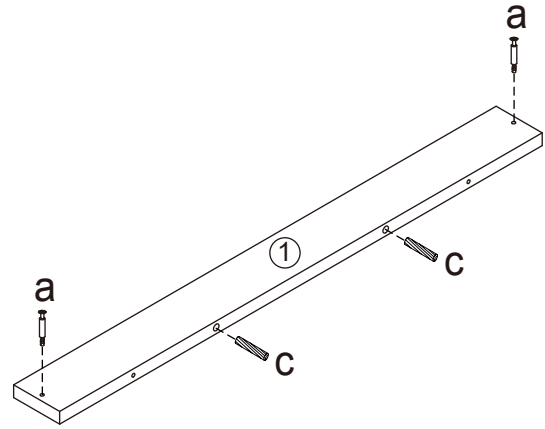
DO NOT TIGHTEN THE SCREWS UNTIL THE PRODUCT IS FULLY ASSEMBLED.

		
① 2 PCS	② 2 PCS	③ 1 PC
		
④ 1 PC	⑤ 8 PCS	⑥ 12 PCS

STEP 1



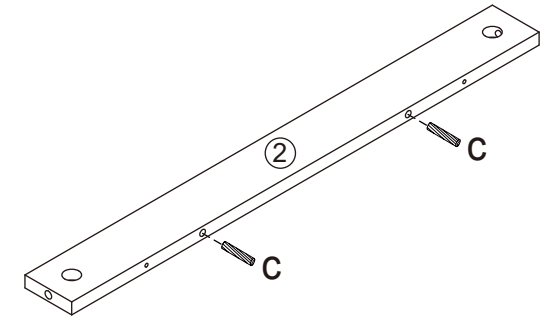
x 2



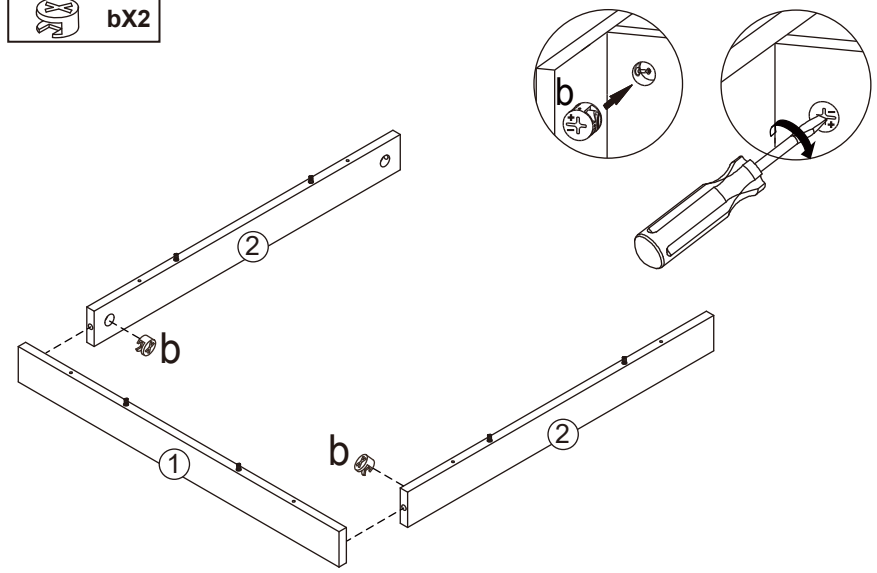
STEP 2



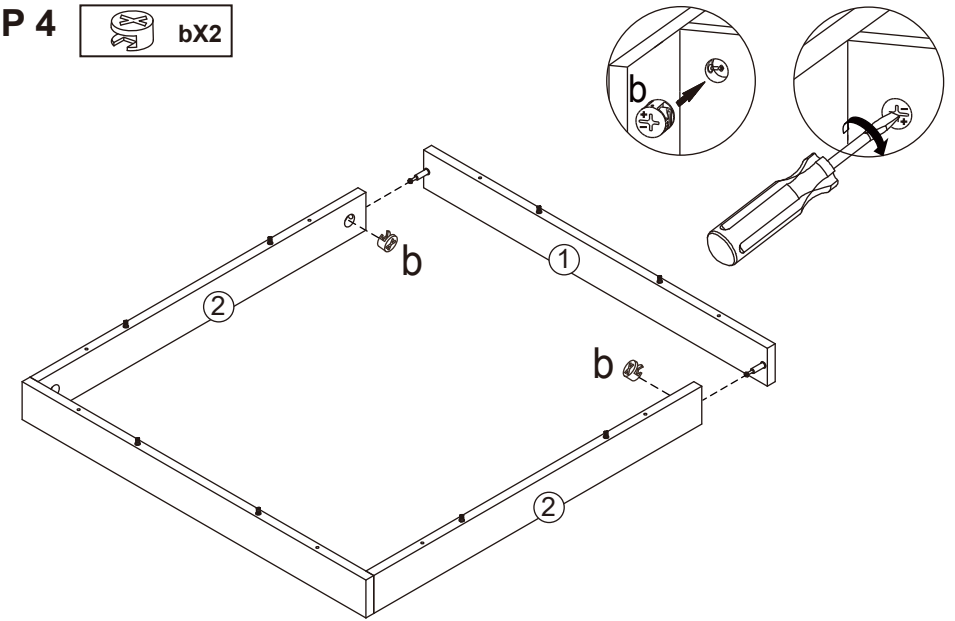
x 2



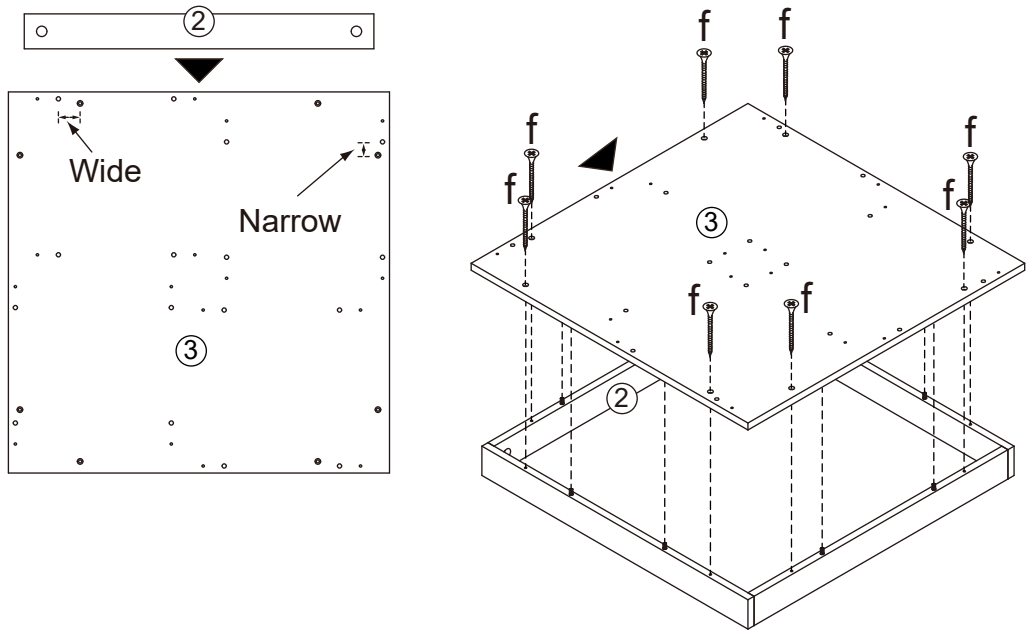
STEP 3



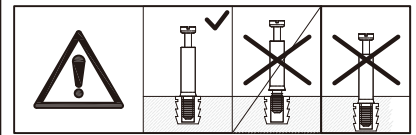
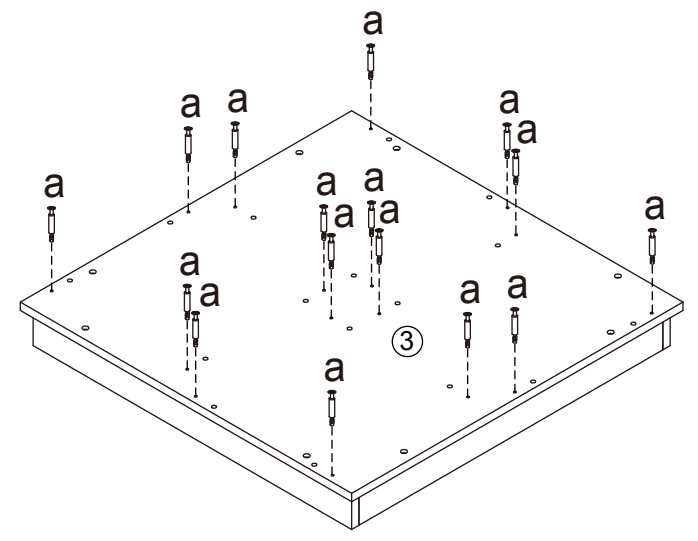
STEP 4



STEP 5 fX8

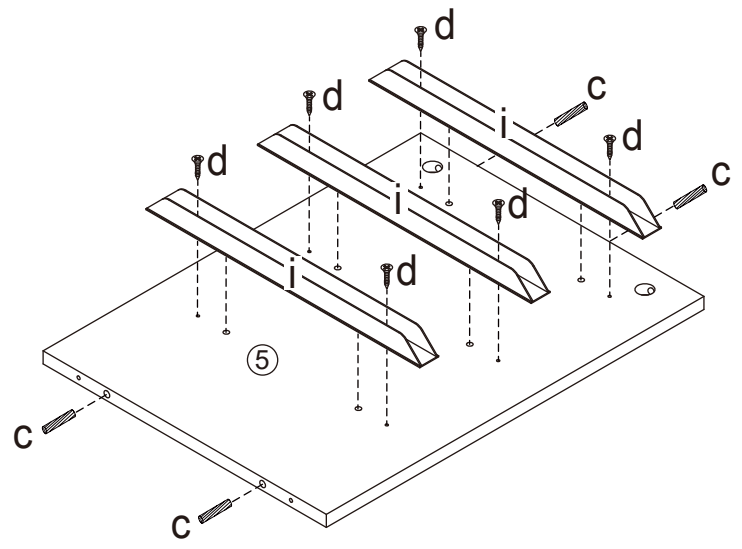


STEP 6 aX16

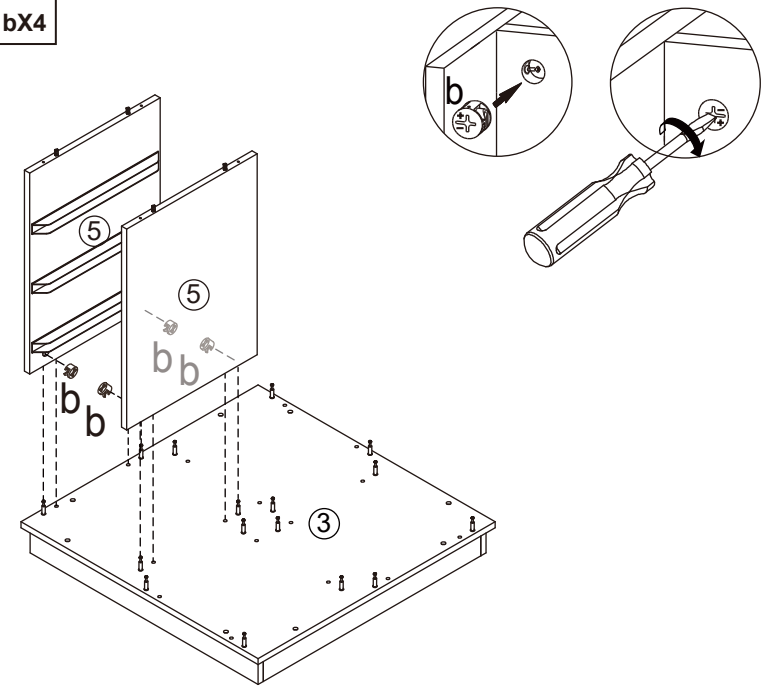


STEP 7 cX32 dX48 iX24

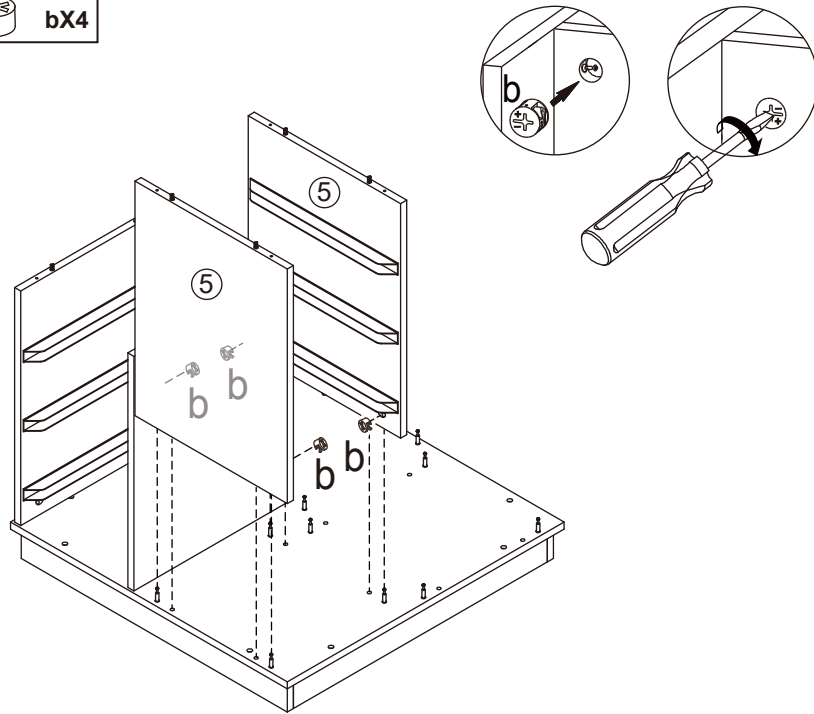
X 8



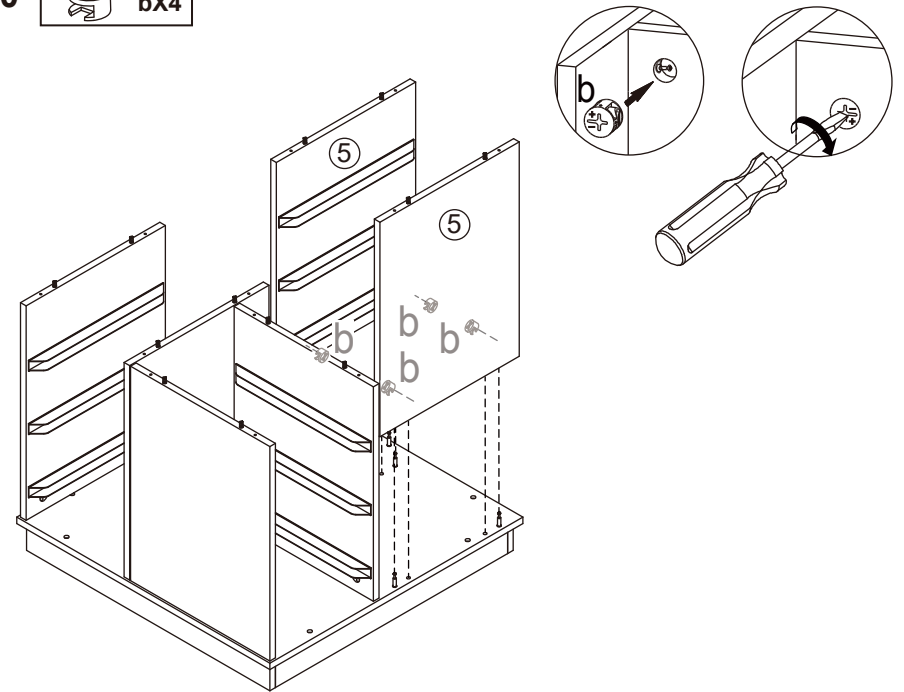
STEP 8 bX4



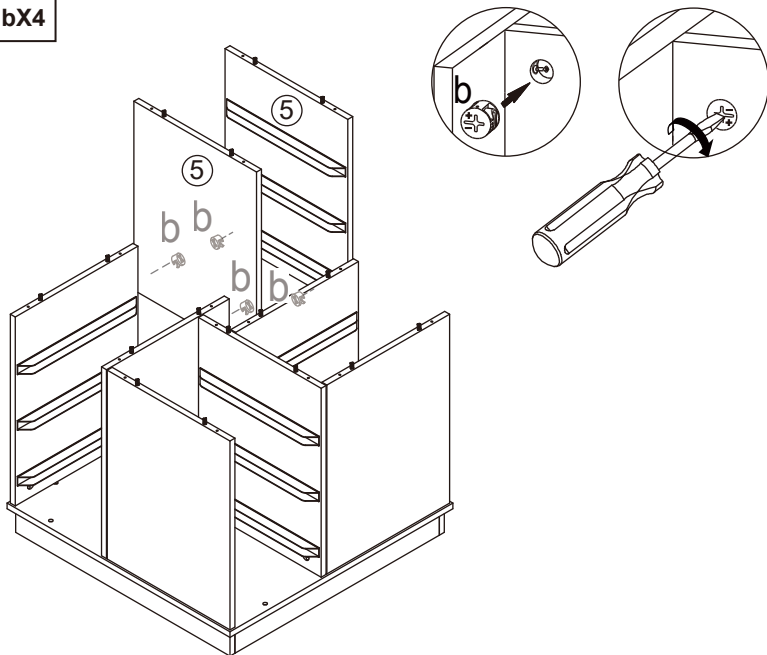
STEP 9  bX4



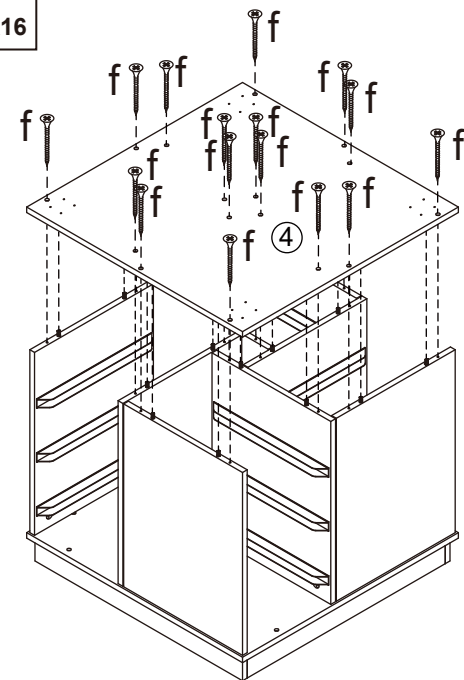
STEP 10  bX4



STEP 11  bX4

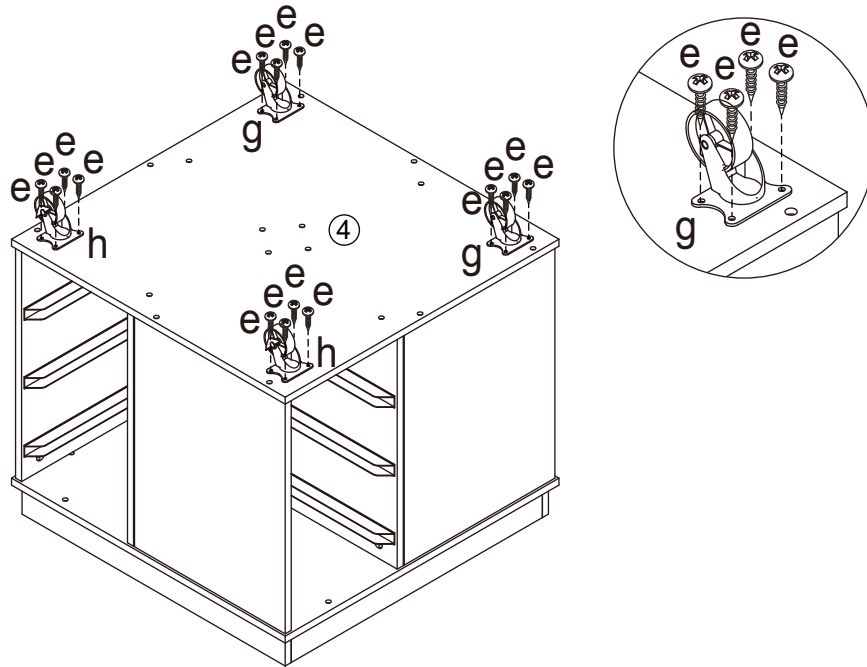


STEP 12  fX16

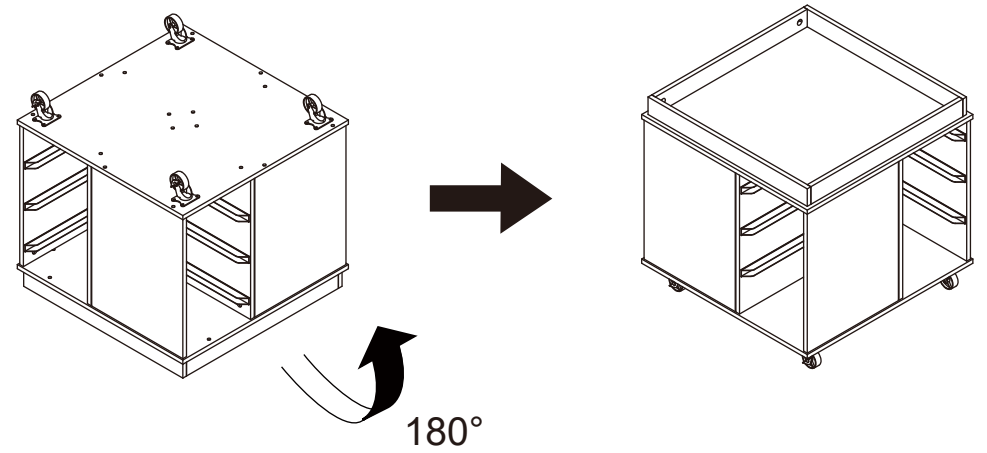


STEP 13

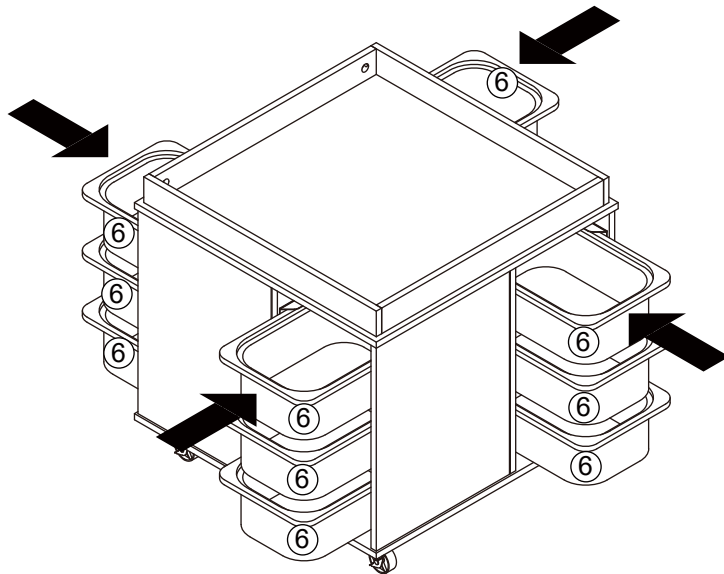
eX16 gX2 hX2



STEP 14



STEP 15



STEP 16

Warning:
• It is strongly recommended that this product should be installed anti-collision strips, but this is not provided.

