

Assembly Instructions










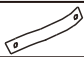








43706365 LUNA 1DRAWER BEDSIDE TABLE

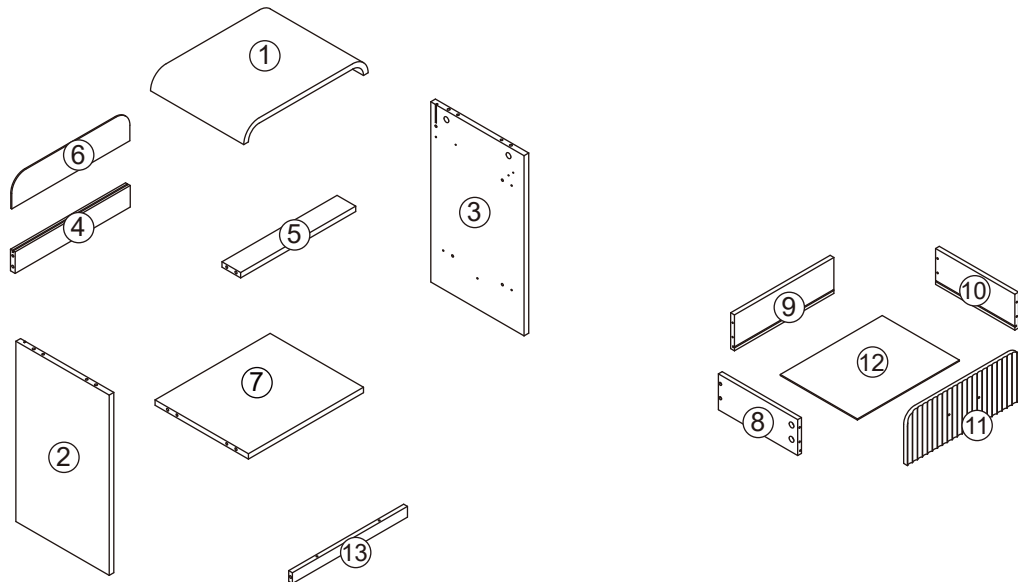
CARE INSTRUCTION: Wipe clean with a soft dry or damp cloth. Keep away from water and direct sunlight. For indoor and domestic use. Check and tighten all parts regularly.

WARNINGS: Do not stand or sit on the unit. Do not lean on the product. Do not drag the product. Use only on a flat surface. Do not use until all screws, bolts and knobs are firmly secured. This product contains small parts and sharp points, keep away from children and babies. Adult assembly required. Failure to follow these warnings could result in serious injury.

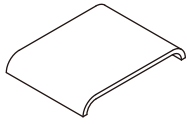
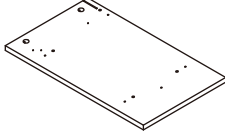
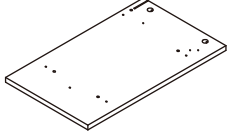
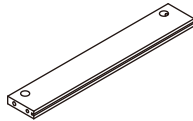
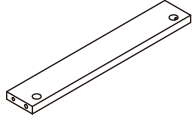
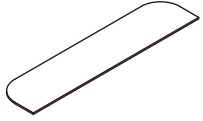
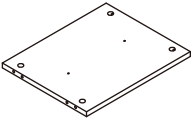
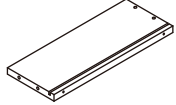
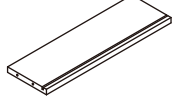
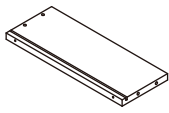
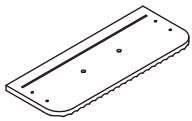
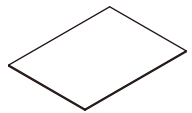
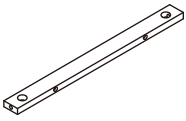
MAXIMUM TOTAL LOADING WEIGHT: 10KGS FOR TOP PANEL, 5KGS FOR DRAWER AND SHELF, 20KGS IN TOTAL.

Hardware list

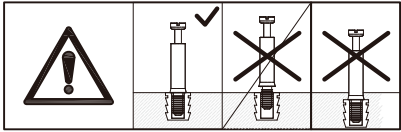
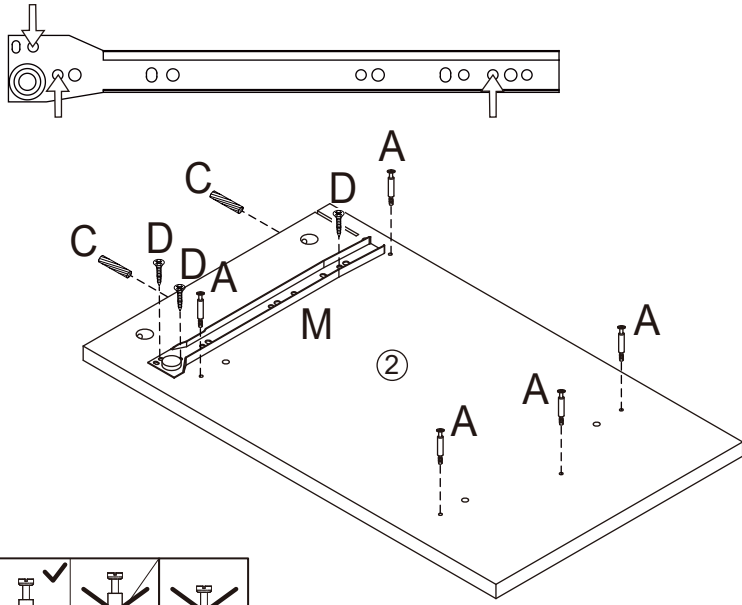
| | | | | | | | |
|---|---|--------|-------|---|---|--------|------|
|  | A | | 18PCS |  | J | | 1PC |
|  | B | | 18PCS |  | K | | 1PC |
|  | C | 6X30mm | 12PCS |  | L | | 1PC |
|  | D | 3X12mm | 10PCS |  | M | | 1PC |
|  | E | 4X30mm | 6PCS |  | N | | 1PC |
|  | F | 4X16mm | 2PCS |  | O | | 1PC |
|  | G | | 1PC |  | P | 4X12mm | 1PC |
|  | H | | 2PCS |  | Q | 4X30mm | 1PC |
|  | I | 3X14mm | 2PCS |  | R | | 2PCS |



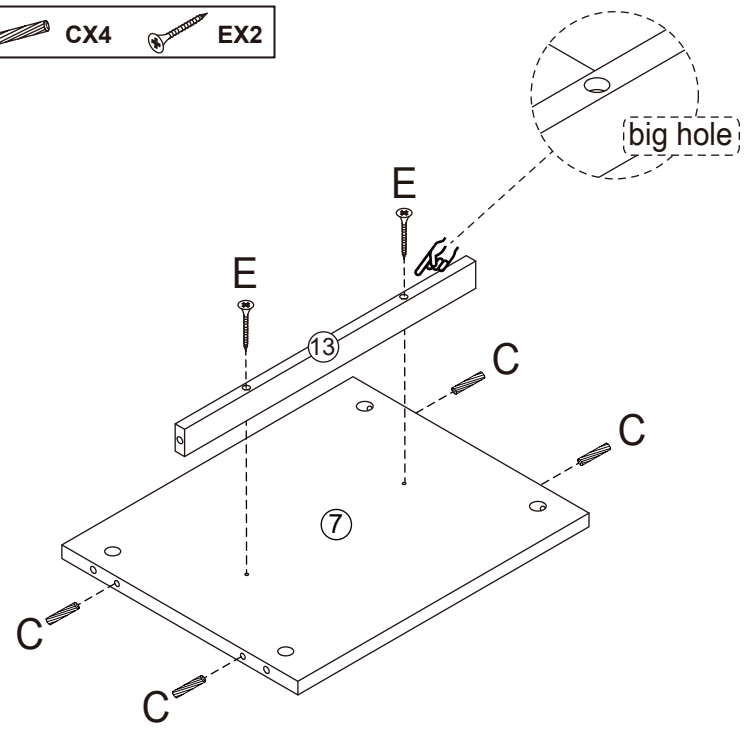
DO NOT TIGHTEN THE SCREWS UNTIL THE PRODUCT IS FULLY ASSEMBLED.

| | | | | | | | | |
|---|---|------|--|---|------|--|---|------|
|  | ① | 1 PC |  | ② | 1 PC |  | ③ | 1 PC |
|  | ④ | 1 PC |  | ⑤ | 1 PC |  | ⑥ | 1 PC |
|  | ⑦ | 1 PC |  | ⑧ | 1 PC |  | ⑨ | 1 PC |
|  | ⑩ | 1 PC |  | ⑪ | 1 PC |  | ⑫ | 1 PC |
|  | ⑬ | 1 PC | | | | | | |

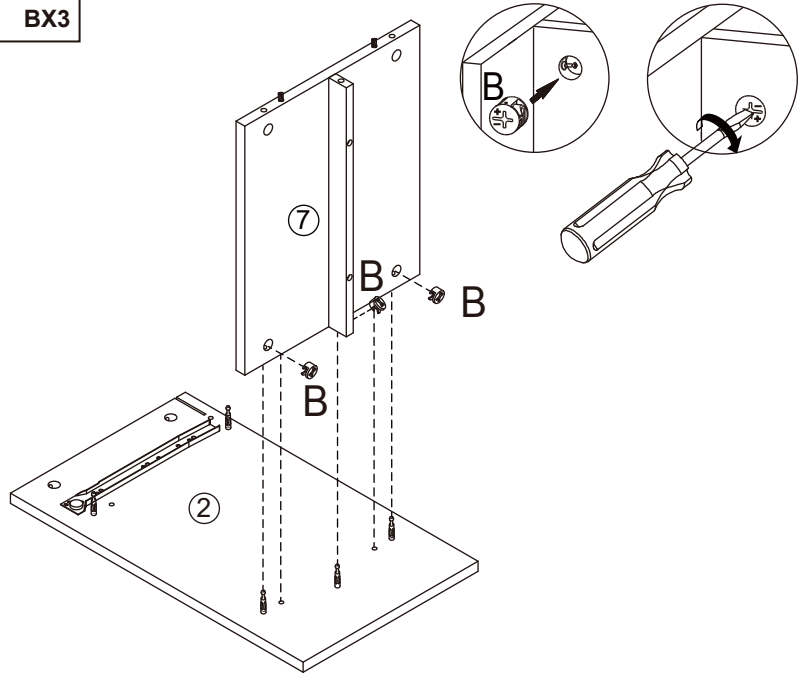
STEP 1



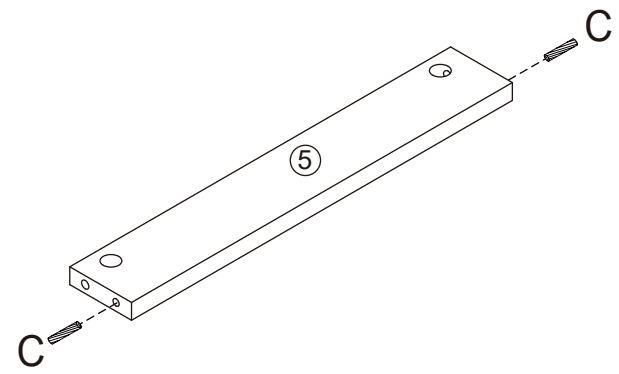
STEP 2



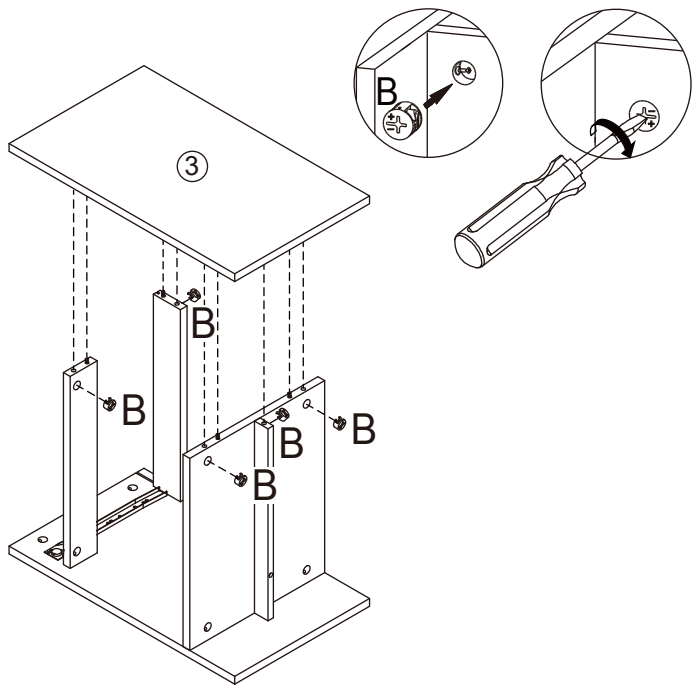
STEP 3



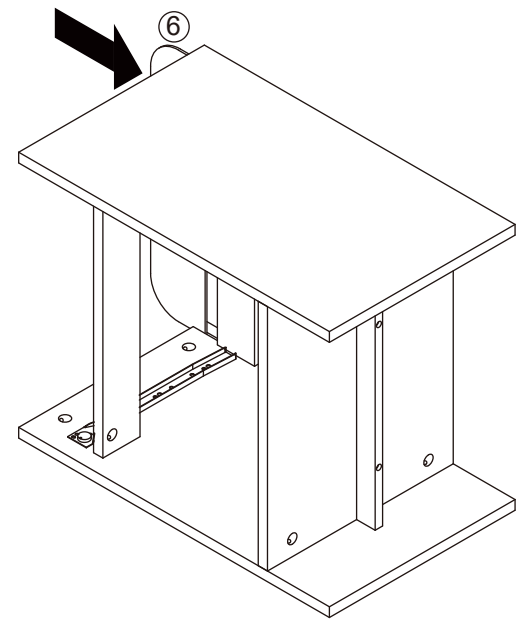
STEP 4



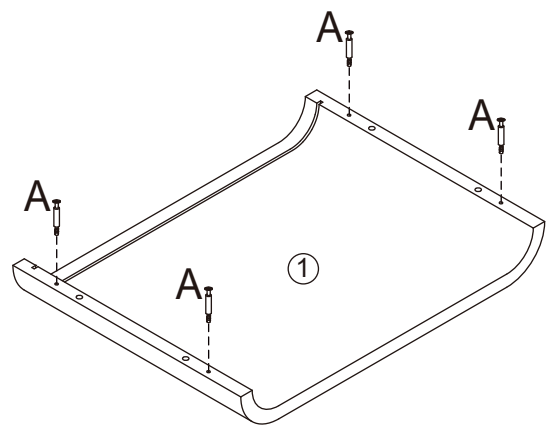
STEP 9



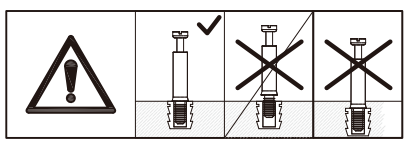
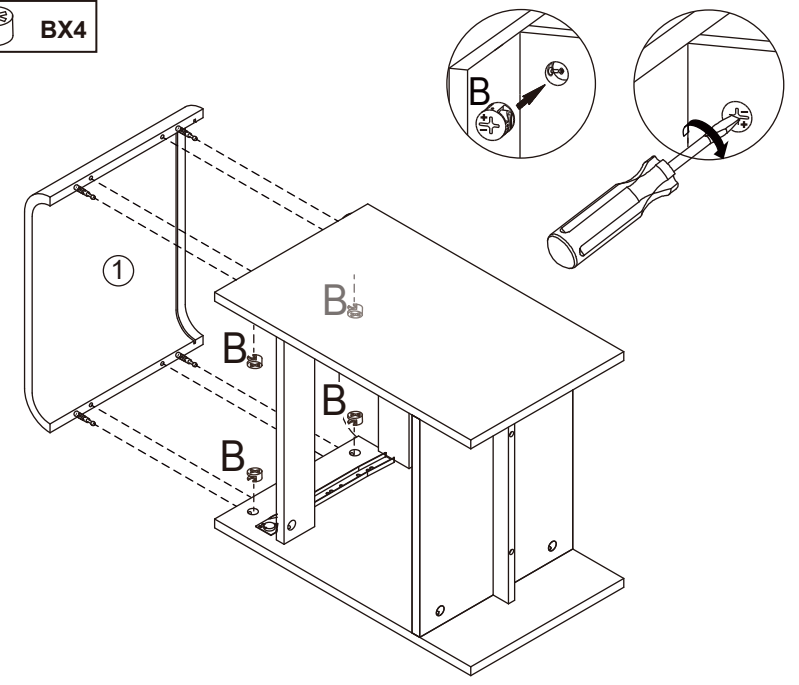
STEP 10




STEP 11

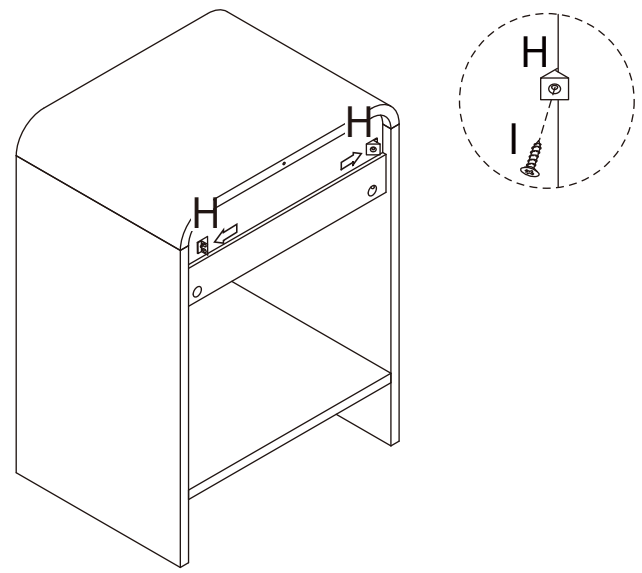


STEP 12



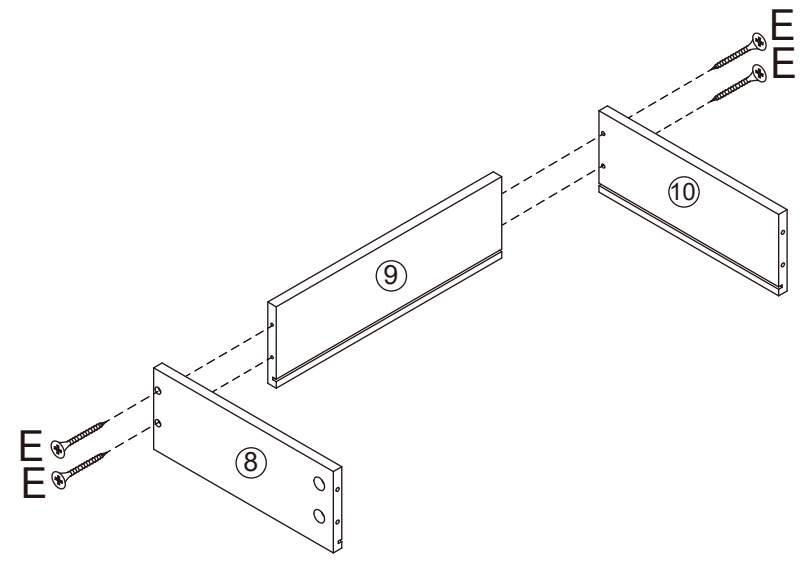
STEP 13

 HX2  IX2

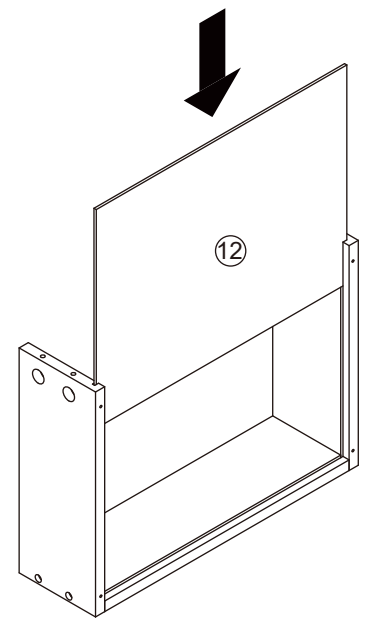


STEP 14

 EX4

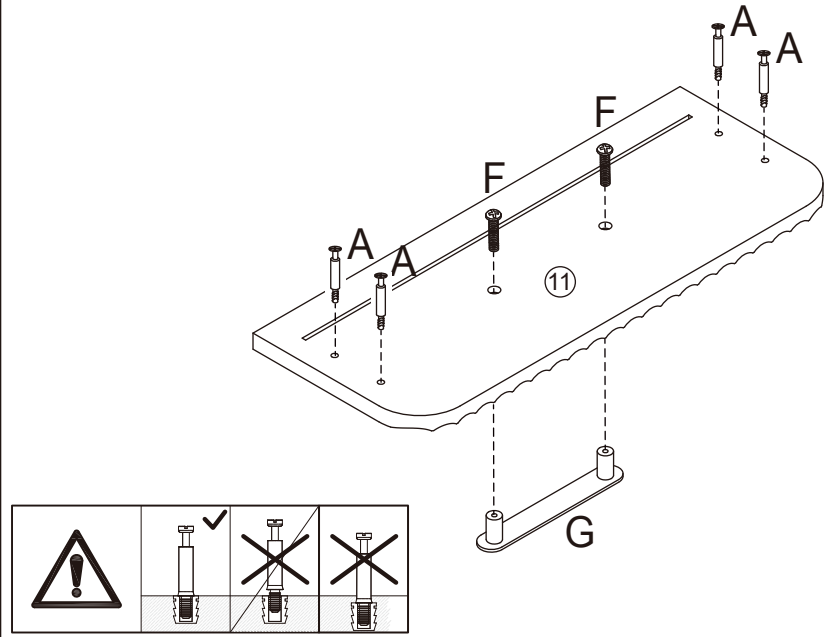


STEP 15



STEP 16

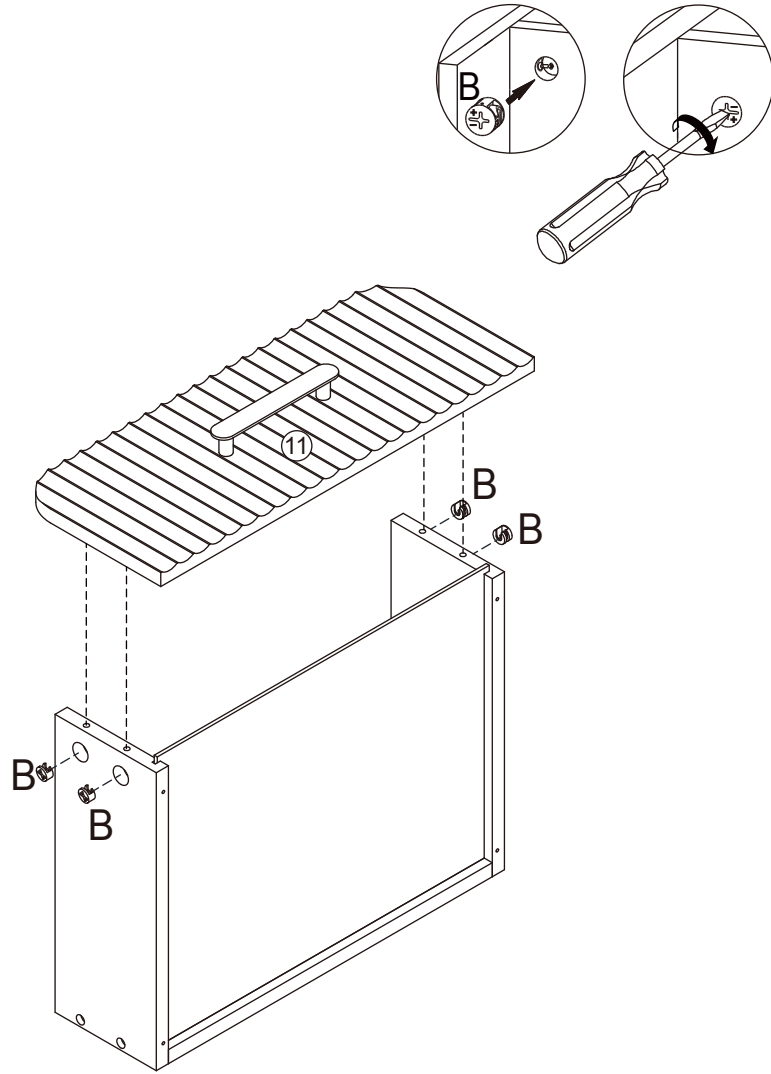
 AX4  FX2  GX1



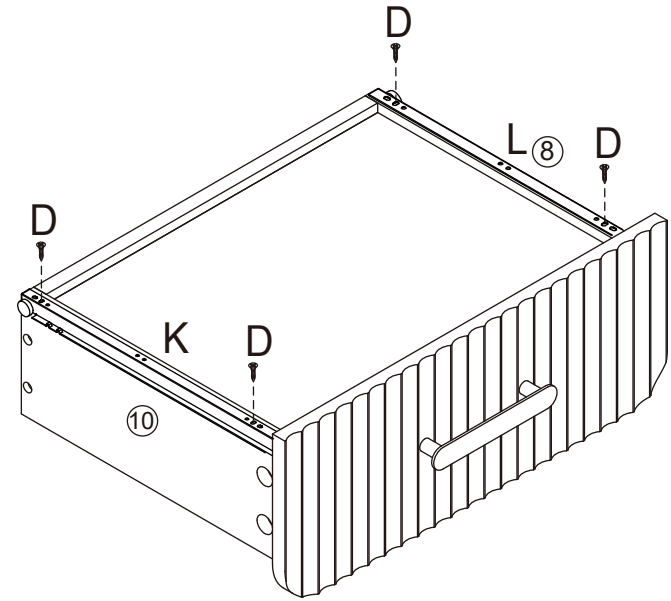
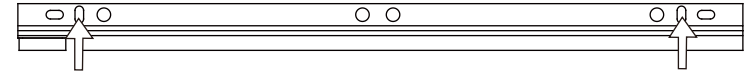
STEP 17



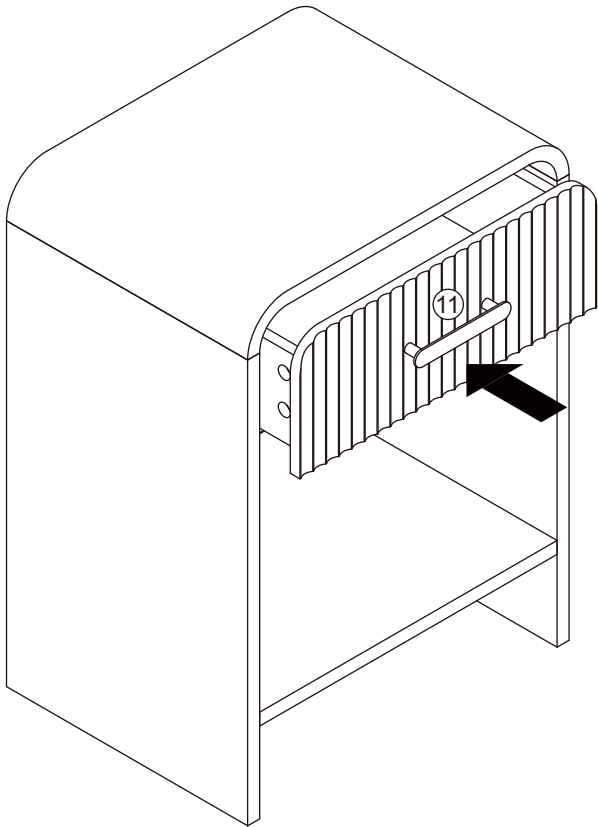
BX4



STEP 18



STEP 19



STEP 20



Warning:

- ALWAYS secure it with an anchor device.
- Please seek professional advice if you are in doubt of what fixing device to use.
- Regularly check that anchors are securely maintained.
- Use safety drawer locks to prevent children climbing.
- Stability of tall items may be affected by thick pile carpet or uneven floors.

• Do not place unanchored televisions on furniture.

Caution: for your safety when attaching the anchor fixings, please note the following:

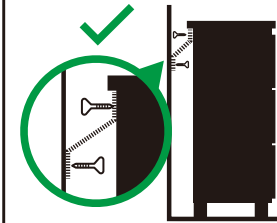
- Check any electrical wires or plumbing inside the wall before drilling any holes (if you are unsure please seek professional advice from a qualified tradesperson)



WARNING: PLEASE SECURE YOUR FURNITURE WITH THE SUPPLIED WALL FIXING. SCAN THE CODE FOR MORE INFORMATION.



WARNING



Children have died from furniture tipover.

- ALWAYS secure it with an anchor device.
- NEVER allow children to stand, climb or hang on drawers, doors, or shelves.
- NEVER open more than one drawer at a time.
- Place heavy items down low.
- Furniture type is at risk of toppling over.

NEVER put a TV on this furniture



This is a permanent label. Do not remove!

