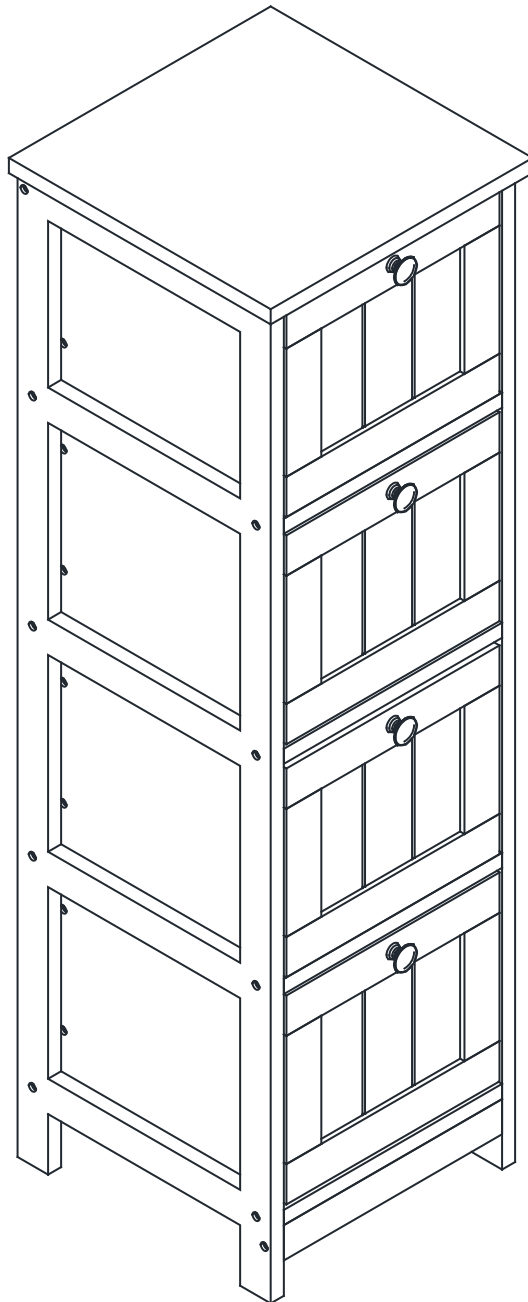


Panelled 4 Drawer Unit

Instruction Manual



The photos and illustrations shown in this instruction manual are generic.
The manufacturer reserves the right to change any specification or feature without prior notice.

IMPORTANT: KEEP FOR FUTURE REFERENCE. READ CAREFULLY.

Assembly Instructions

K: 43705702 | T:72424964 PANELLED 4 DRAWER UNIT

WARNING:

DO NOT STAND, SIT OR LEAN ON THIS UNIT.

DO NOT USE THIS UNIT AS A STEP LADDER OR AS A CHOPPING SURFACE.

KEEP AWAY FROM CHILDREN AND BABIES.

ADULT ASSEMBLY REQUIRED.

USE ONLY ON A FLAT SURFACE.

DO NOT USE THIS UNIT UNLESS ALL BOLTS AND SCREWS ARE FIRMLY SECURED.

CARE INSTRUCTIONS:

TO BE ASSEMBLED ON A CLEAN, DRY AND SMOOTH SURFACE.

WIPE CLEAN WITH A SOFT DAMP CLOTH.

NEVER USE SCOURERS, ABRASIVES OR CHEMICAL SOLVENTS.

CHECK AND TIGHTEN ALL PARTS REGULARLY.

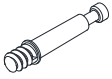

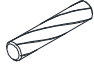
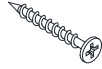



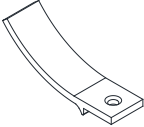
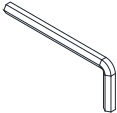

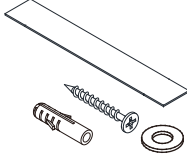
KEEP AWAY FROM MOISTURE AND DIRECT SUNLIGHT.

STORE IN A DRY PLACE.

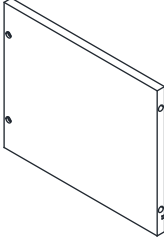
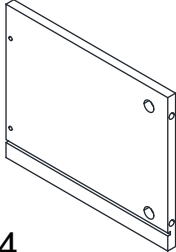
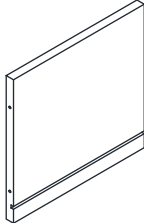
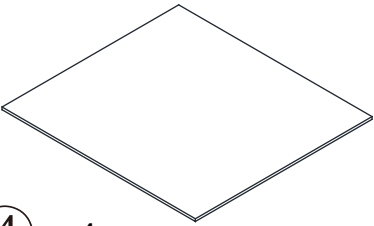
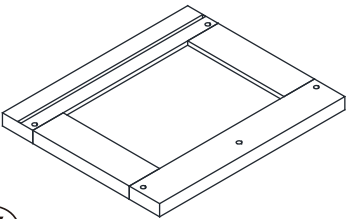
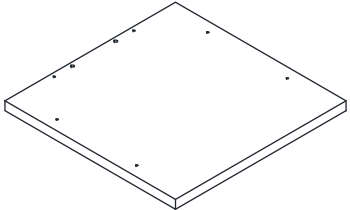
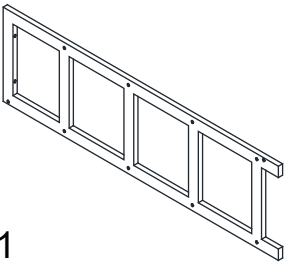
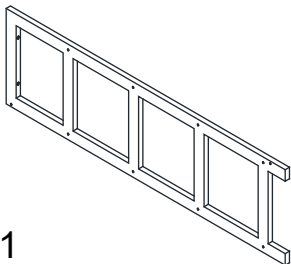
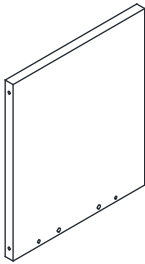
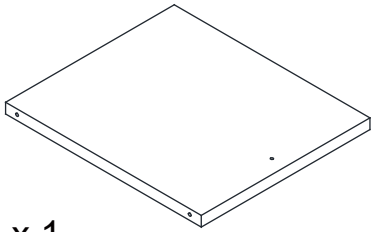
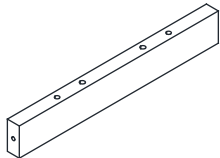
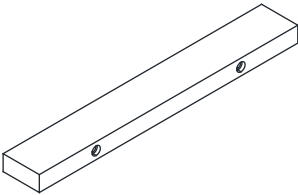
FOR INDOOR AND DOMESTIC USE ONLY.

MAXIMUM SAFE LOAD: 5KG FOR TOP, 3KG FOR DRAWER.

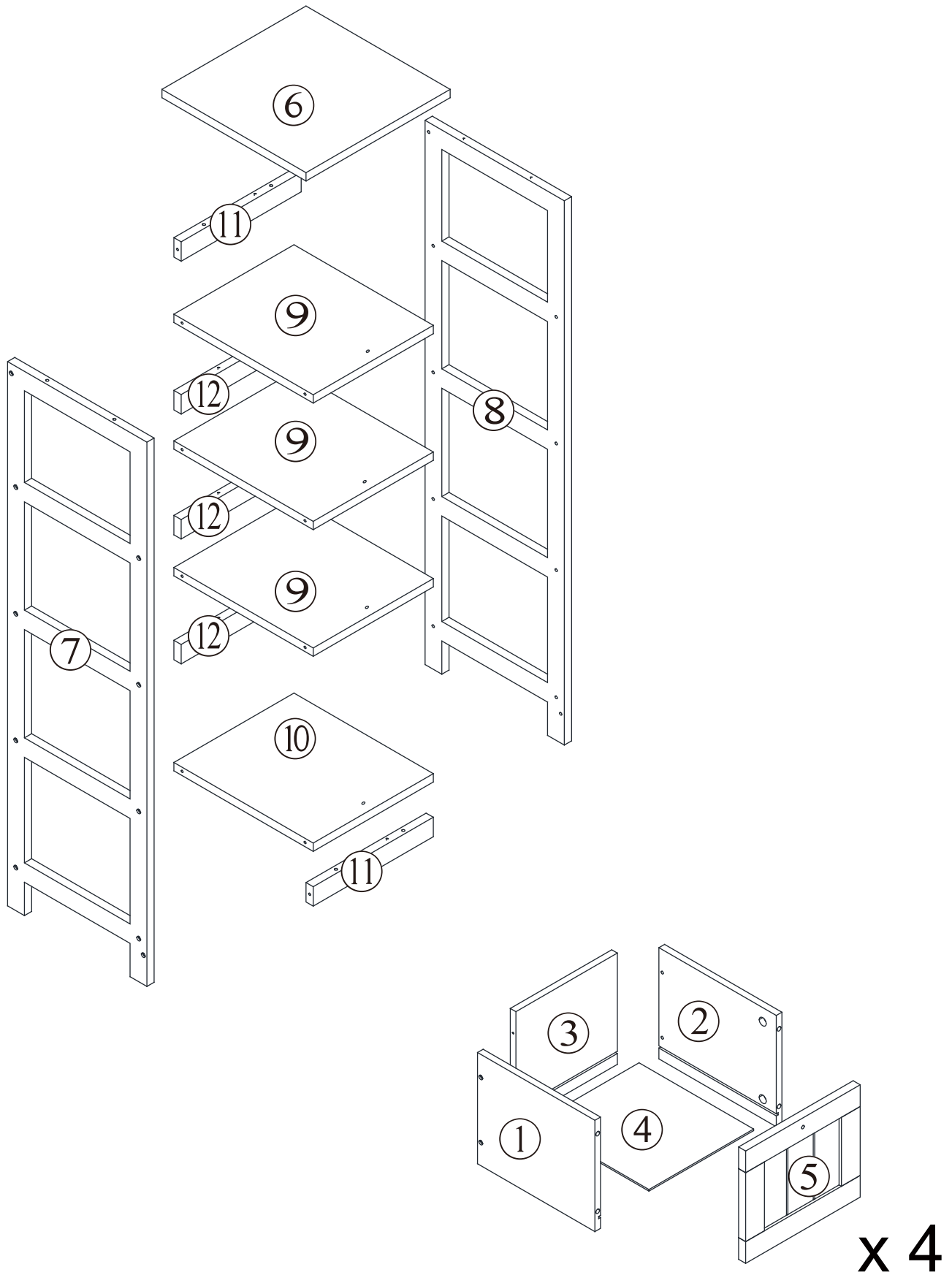
1 Hardware List

					
A x 16	B x 16	Φ6x30mm C x 10	Φ4x35mm D x 30	Φ4x18mm E x 4	Φ3x12mm F x 4
					
Φ4x45mm G x 20	H x 4	I x 1	J x 4	K x 2	

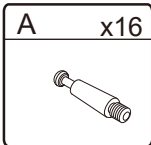
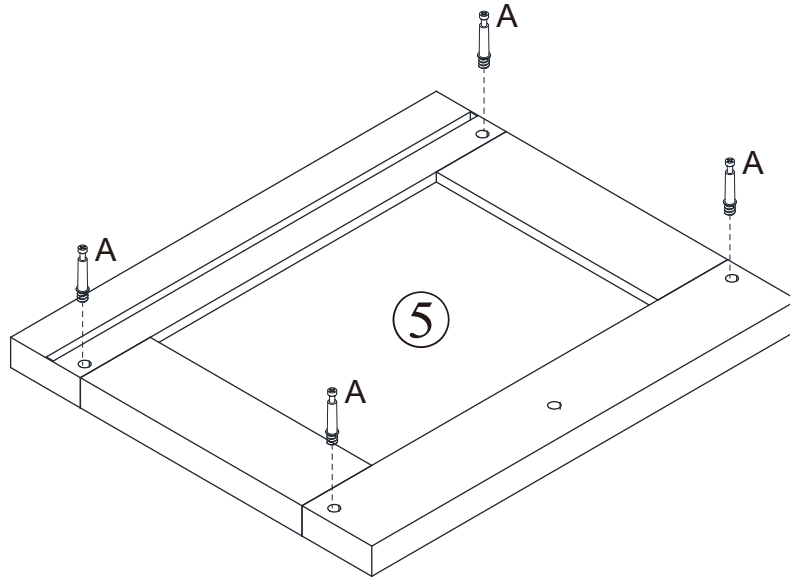
2 Parts List

		
① x 4	② x 4	③ x 4
		
④ x 4	⑤ x 4	⑥ x 1
		
⑦ x 1	⑧ x 1	⑨ x 3
		
⑩ x 1	⑪ x 2	⑫ x 3

PANEL LAYOUT

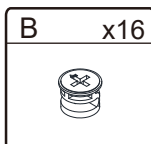
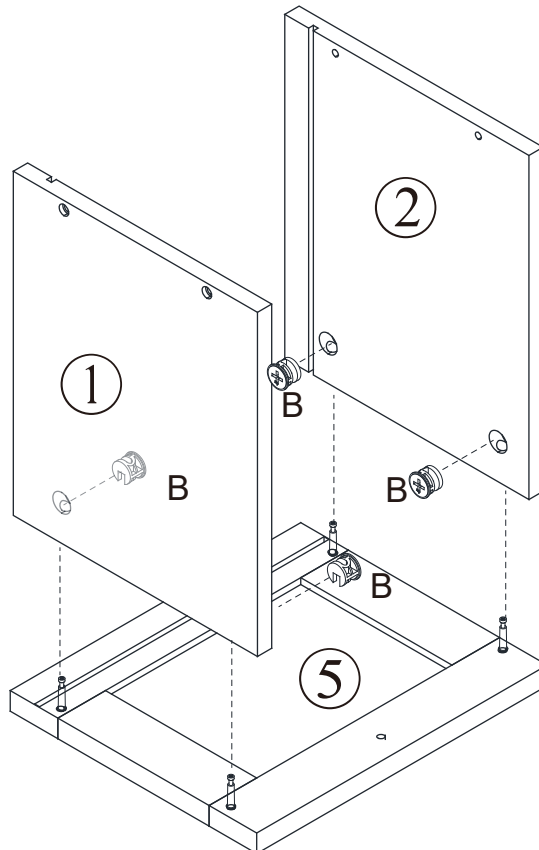


STEP 1



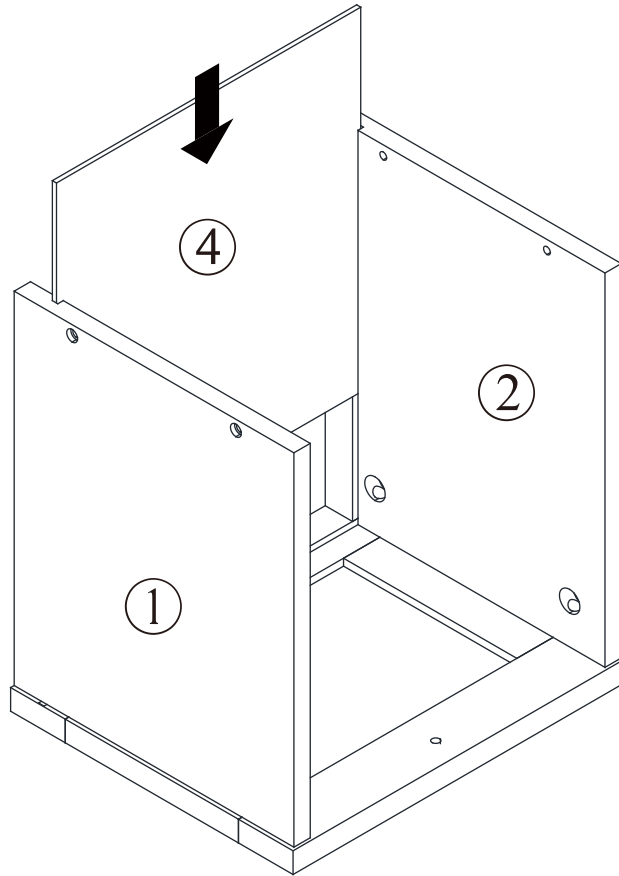
x 4

STEP 2



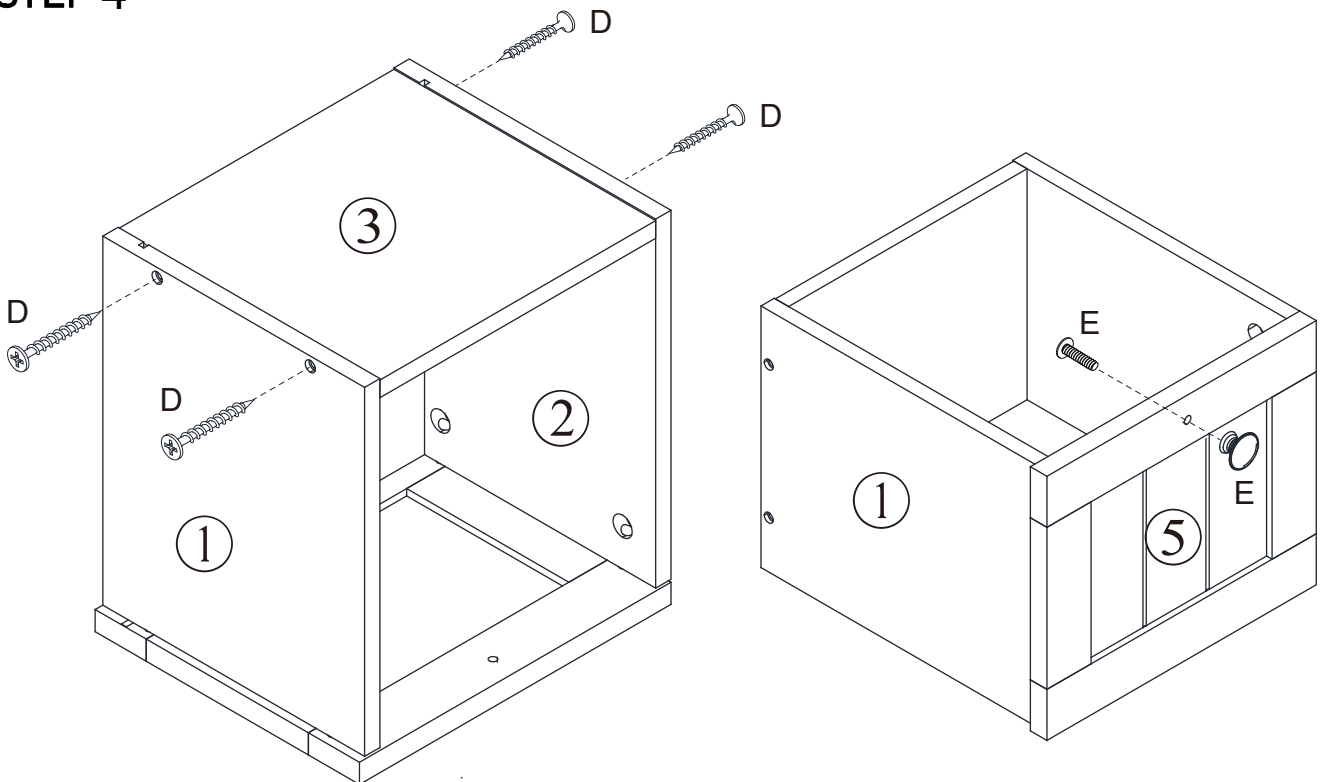
x 4

STEP 3

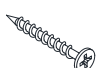



x 4

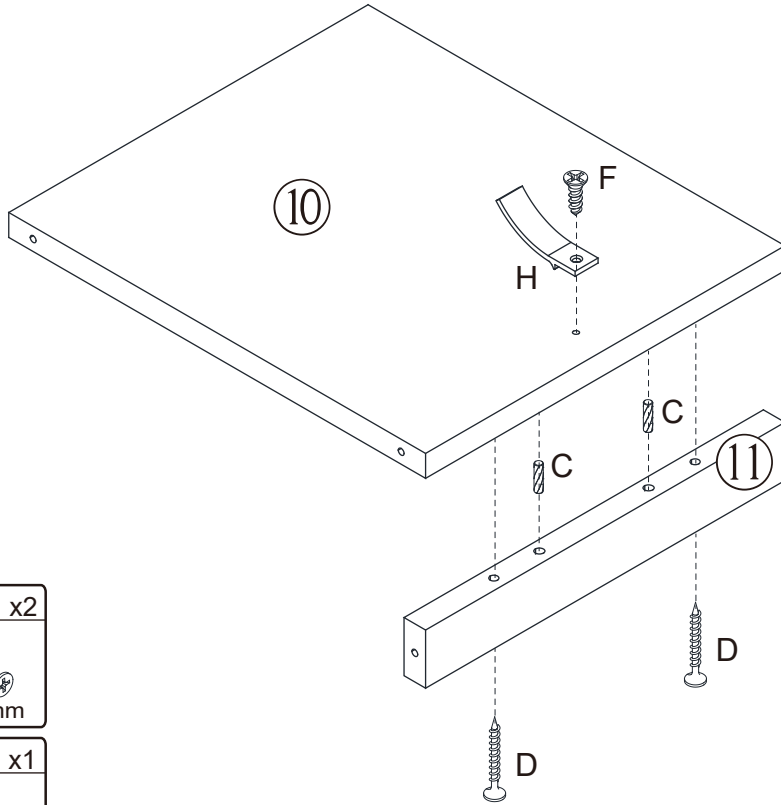
STEP 4







x 4

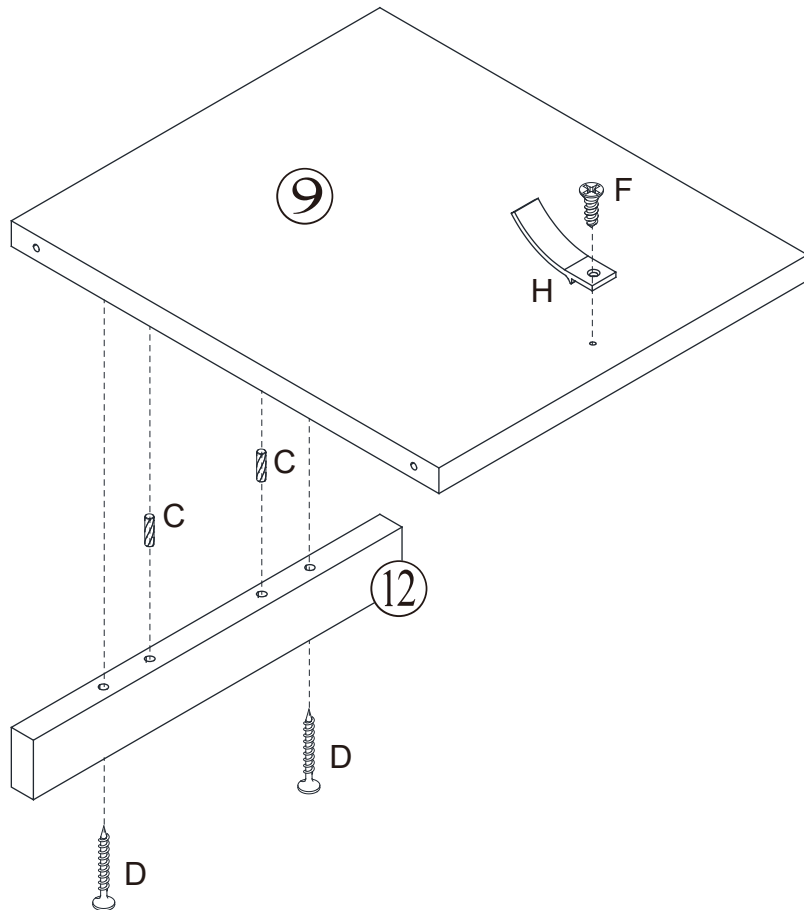
D	x16	E	x4
			
Φ4x35mm		Φ4x18mm	





STEP 5



C x2	D x2
	
Φ6x30mm	Φ4x35mm
F x1	H x1
	
Φ3x12mm	

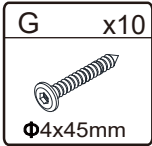
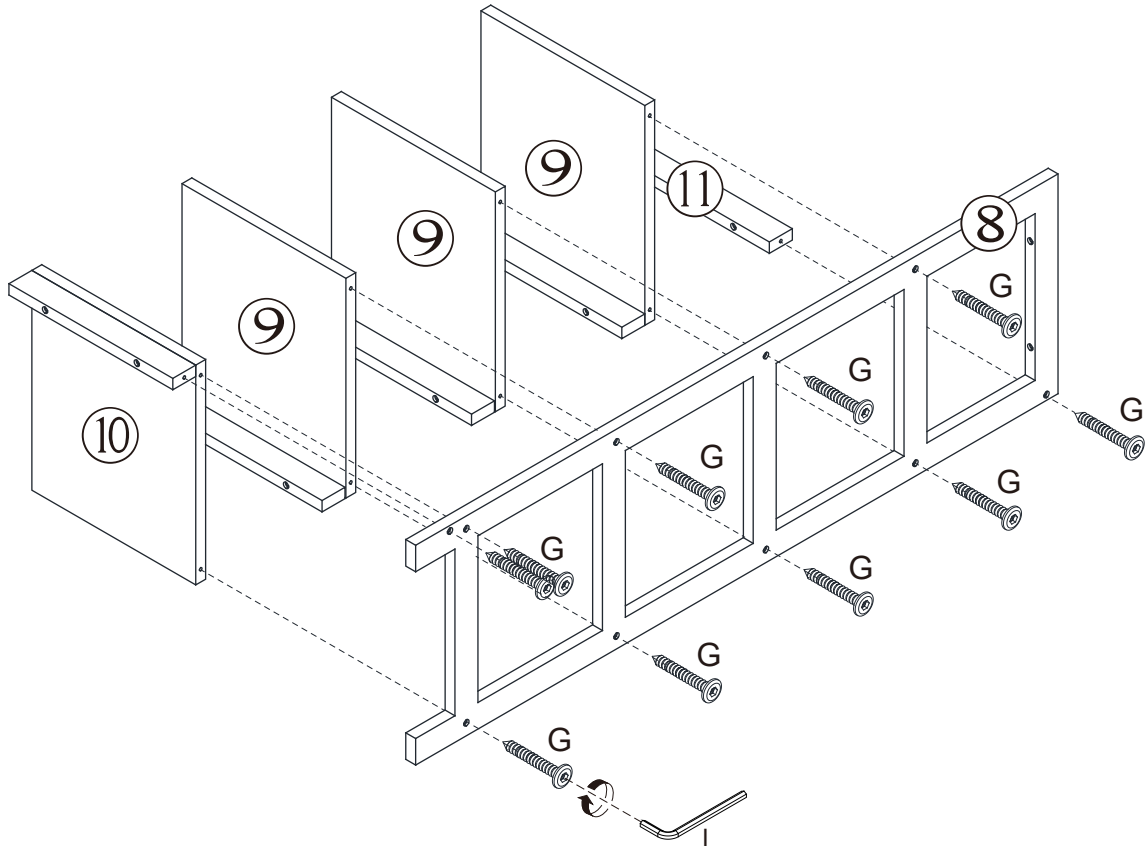
STEP 6



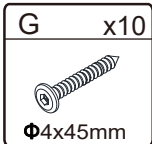
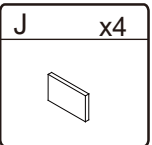
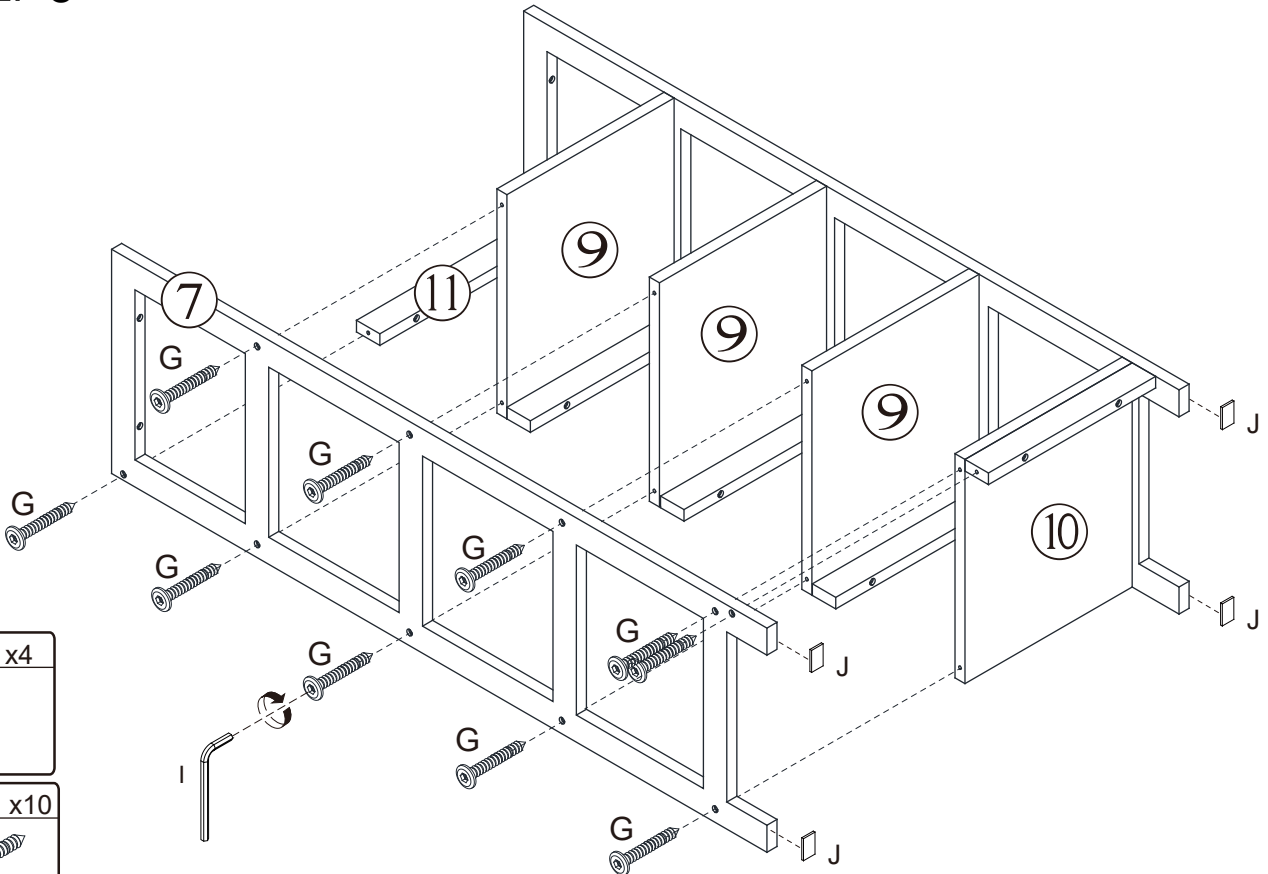
C x6	D x6
	
Φ6x30mm	Φ4x35mm
F x3	H x3
	
Φ3x12mm	

x 3

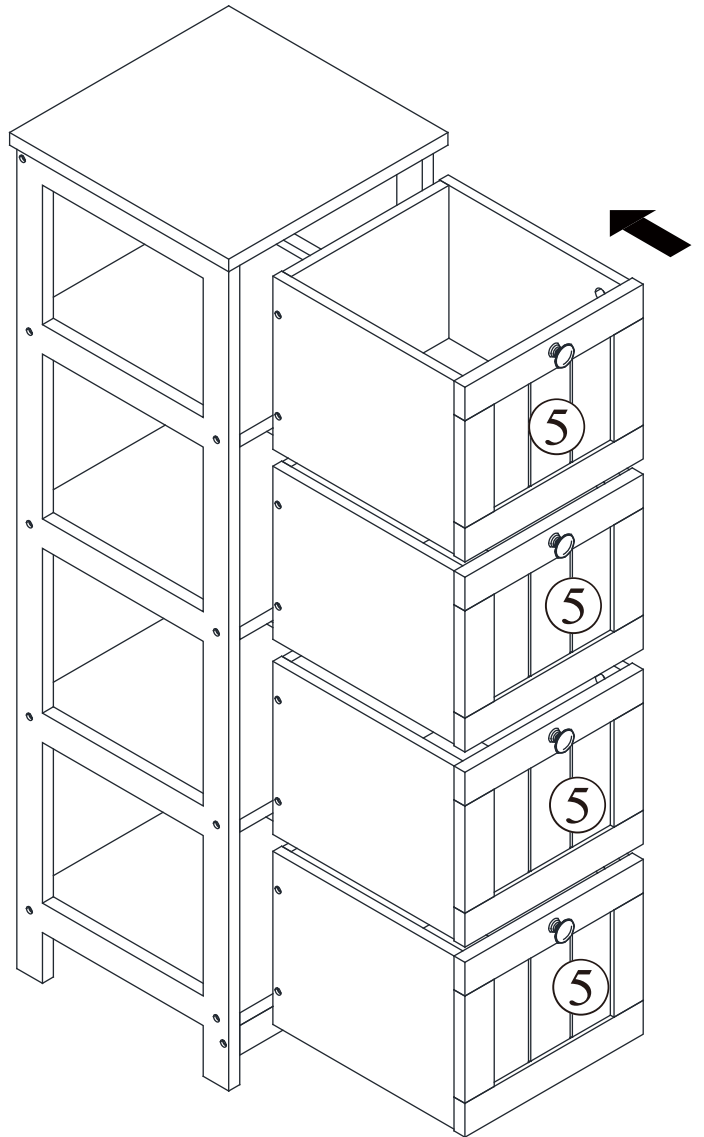
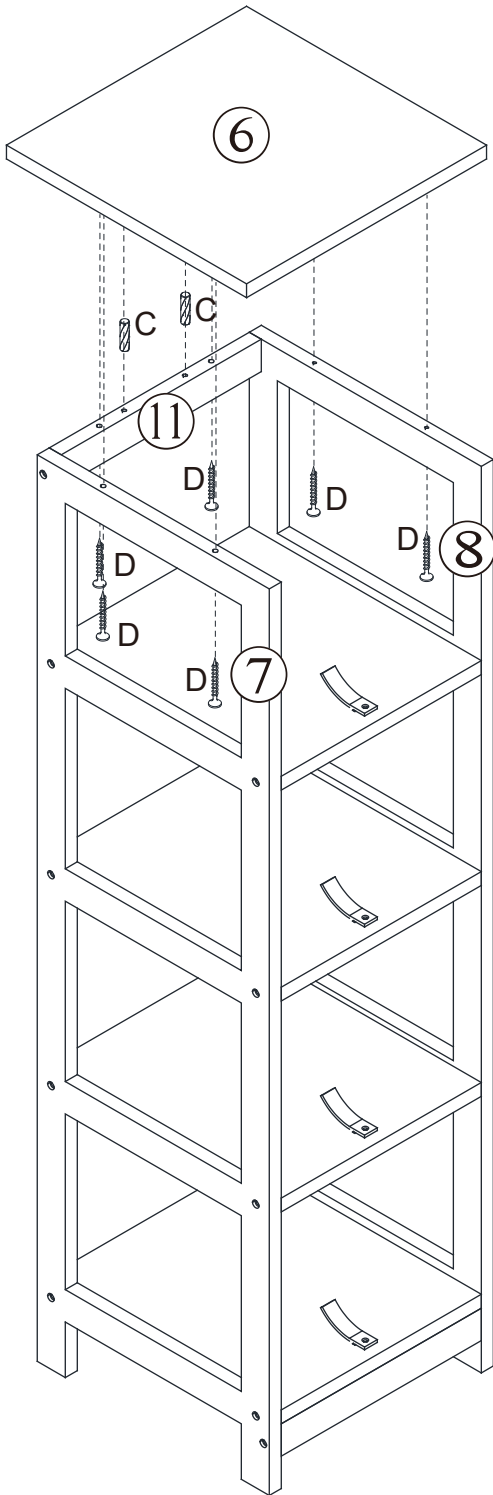
STEP 7





STEP 8

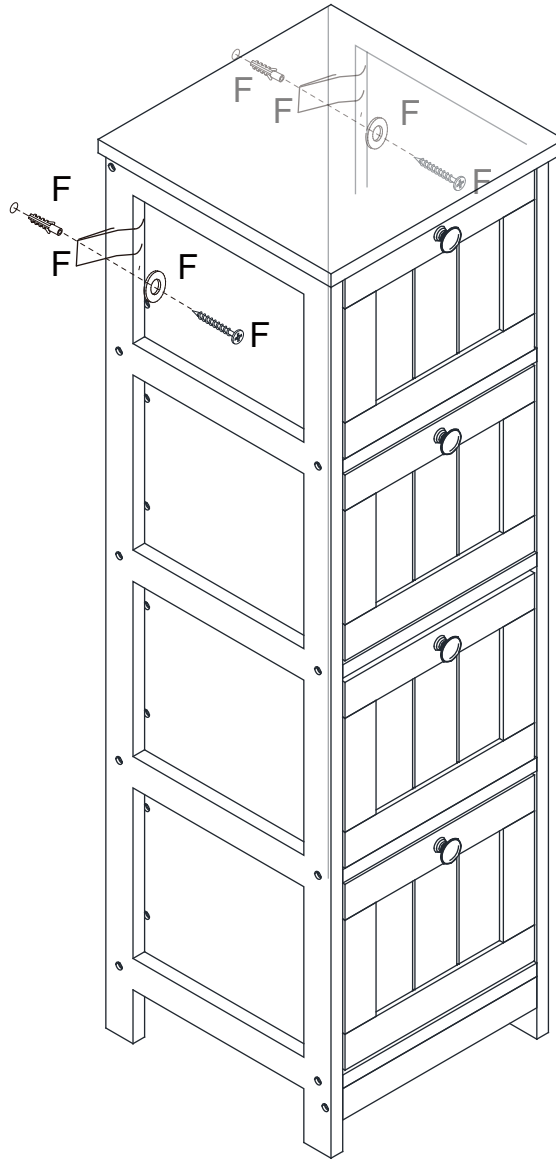


STEP 9



C	x2	D	x6
			
Φ6x30mm		Φ4x35mm	

STEP 10



▲ WARNING



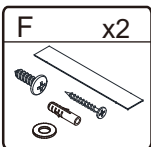

Children have died from furniture tipover.

- ALWAYS secure it with an anchor device.
- NEVER allow children to stand, climb or hang on drawers, doors, or shelves.
- NEVER open more than one drawer at a time.
- Place heavy items down low.
- Furniture type is at risk of toppling over.

NEVER put a TV on this furniture



This is a permanent label. Do not remove!



TOPPLING FURNITURE WARNING:

- **ALWAYS** secure it with an anchor device.
- Please seek professional advice if you are in doubt of what fixing device to use.
- Regularly check that anchors are securely maintained.
- Use safety drawer locks to prevent children climbing.
- Stability of tall items may be affected by thick pile carpet or uneven floors .
- Do not place unanchored televisions on furniture .

CAUTION: for your safety when attaching the anchor fixings, please note the following:

- **Check any electrical wires or plumbing inside the wall before drilling any holes (if you are unsure please seek professional advice from a qualified tradesperson).**



TOPPLING HAZARD

WARNING: PLEASE SECURE YOUR FURNITURE WITH THE SUPPLIED WALL FIXING. SCAN THE CODE FOR MORE INFORMATION.

