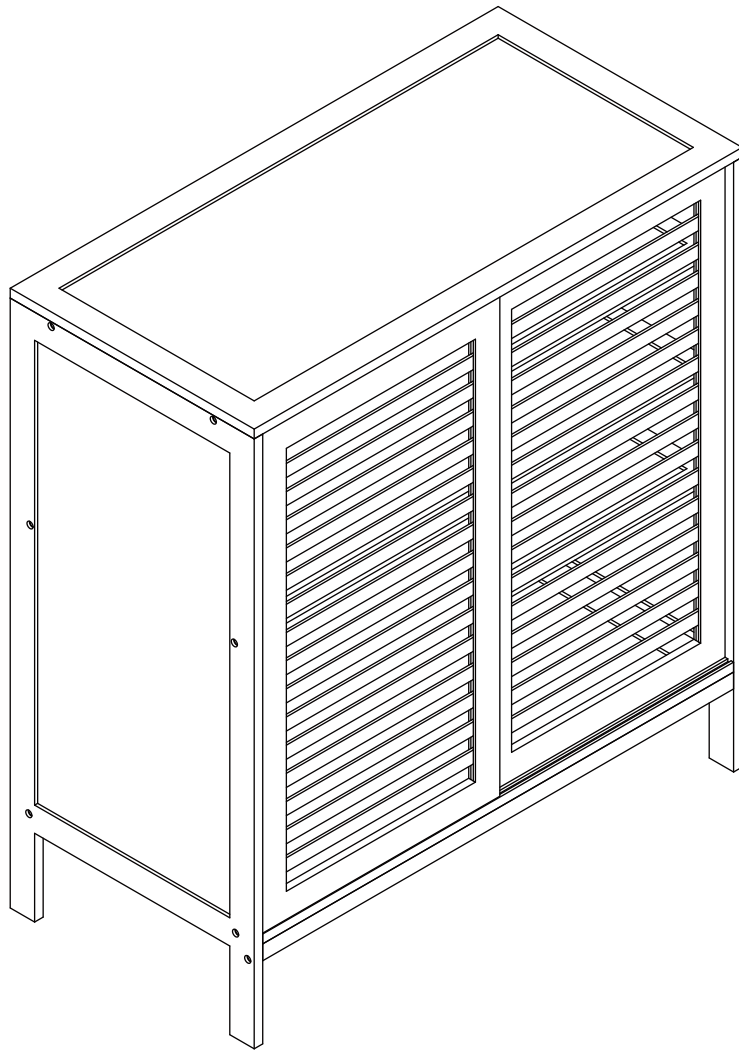


Walnut Look Shoe Cabinet

Instruction Manual



The photos and illustrations shown in this instruction manual are generic.
The manufacturer reserves the right to change any specification or feature without prior notice.

IMPORTANT: KEEP FOR FUTURE REFERENCE. READ CAREFULLY.

Assembly Instructions

43705689 WALNUT LOOK SHOE CABINET

CARE INSTRUCTIONS:










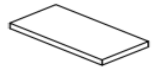

WIPE CLEAN WITH A SOFT DRY OR DAMP CLOTH.
KEEP AWAY FROM WATER AND DIRECT SUNLIGHT.
FOR INDOOR AND DOMESTIC USE.
CHECK AND TIGHTEN ALL PARTS REGULARLY.

WARNING:

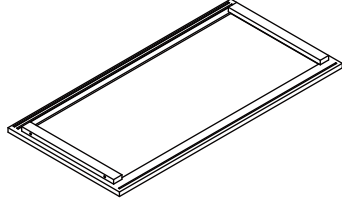
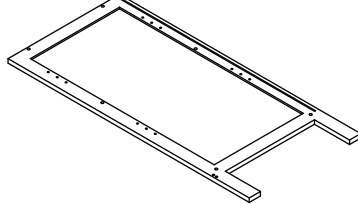
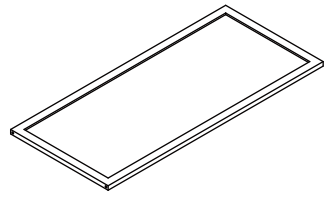
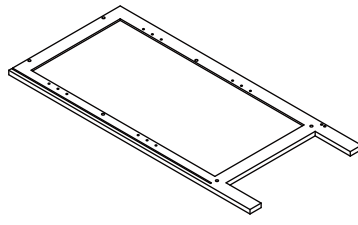
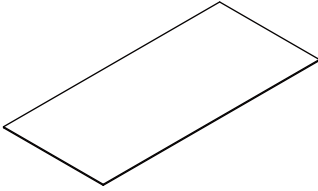
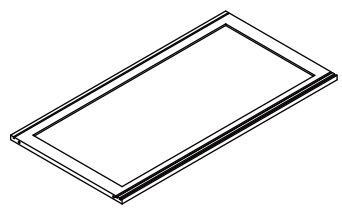
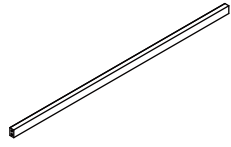
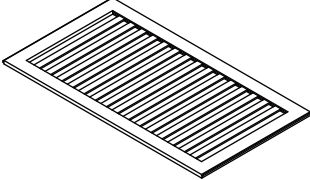
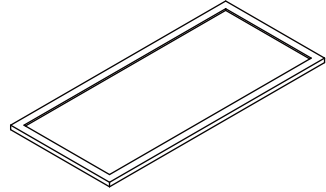
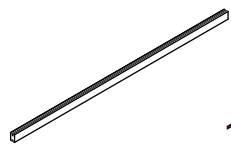
DO NOT STAND ON THE UNIT.
ENSURE THIS UNIT IS USED ONLY ON A FLAT SURFACE.
DO NOT USE THIS UNIT UNLESS ALL BOLTS AND SCREWS ARE FIRMLY SECURED.
FAILURE TO FOLLOW THESE WARNINGS COULD RESULT IN SERIOUS INJURY.
CONTAINS SMALL PARTS.
IT IS TO BE ASSEMBLED BY AN ADULT.

MAXIMUM SAFE LOAD: 5KG FOR TOP PANEL, 5KG FOR EACH SHELF.

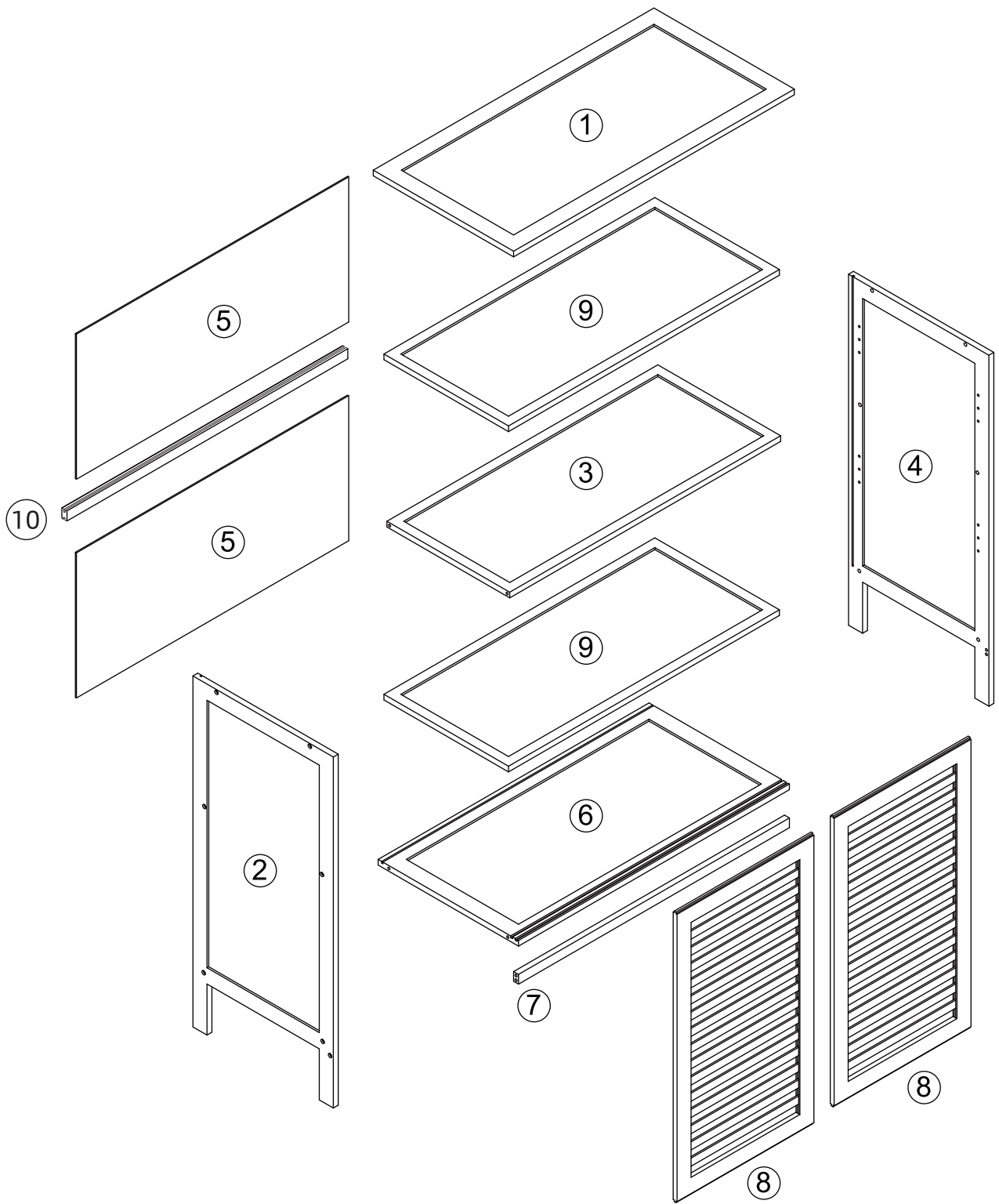
1 Hardware List

	a	5X35mm	14PCS		g		1PC
	b	6X20mm	2PCS		h		1PC
	c		8PCS		i		2PCS
	d		8PCS		j		1PC
	e	3X12mm	9PCS		k		4PCS
	f	4X30mm	1PC				

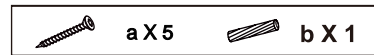
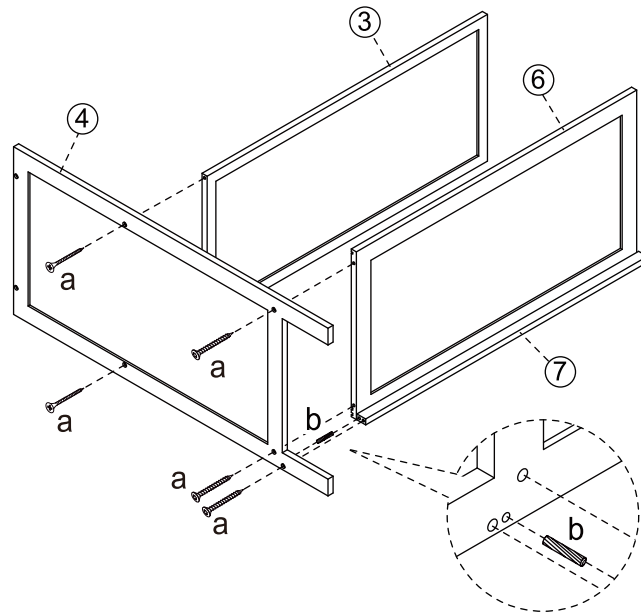
2 Parts List

	①	1 PC		②	1 PC		③	1 PC
	④	1 PC		⑤	2 PCS		⑥	1PC
	⑦	1 PC		⑧	2PCS		⑨	2 PCS
	⑩	1 PC						

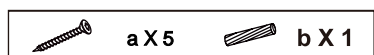
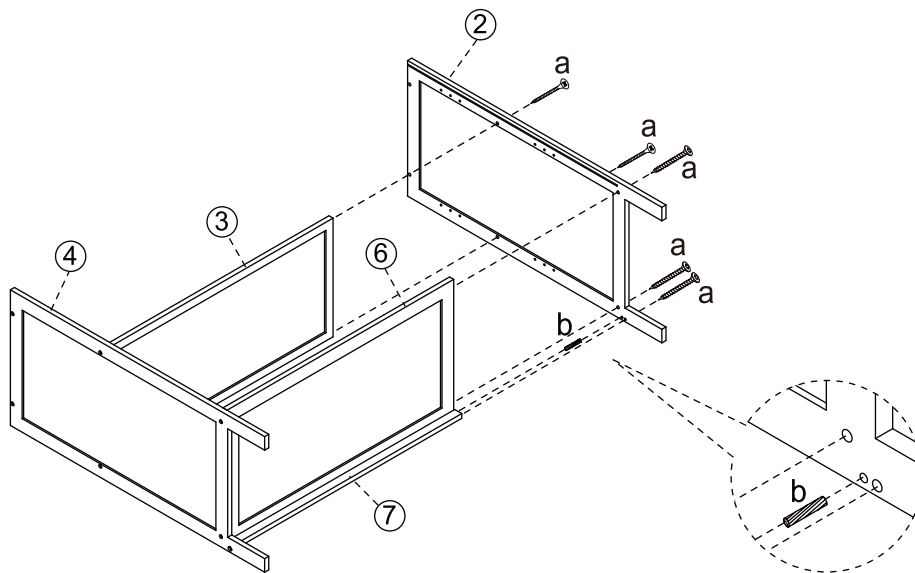
PANEL LAYOUT



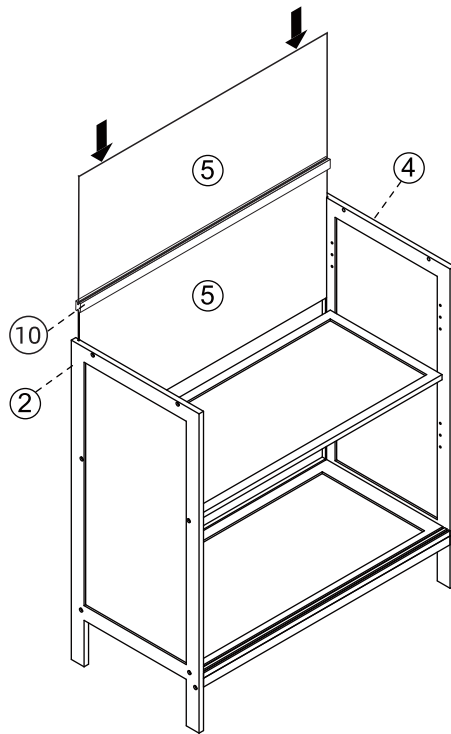
STEP 1



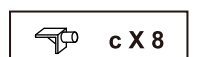
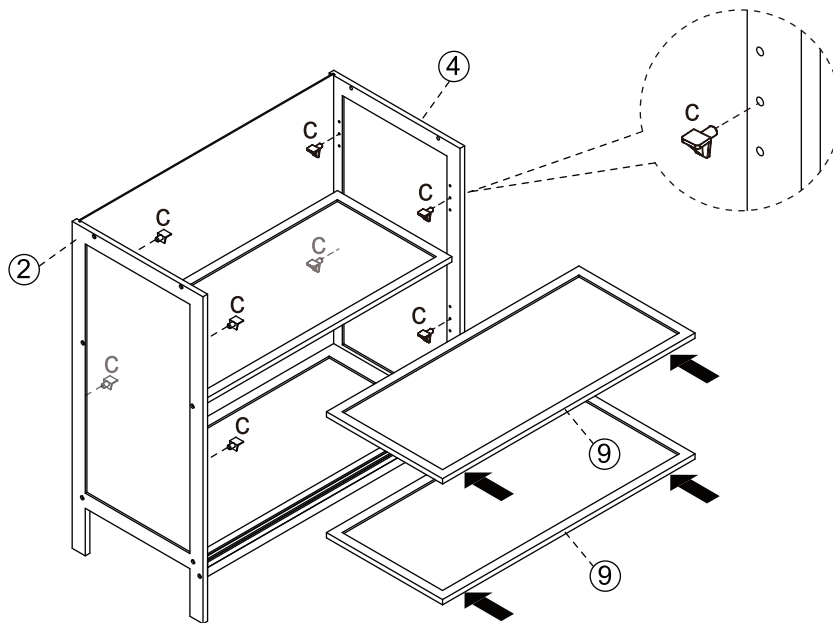
STEP 2



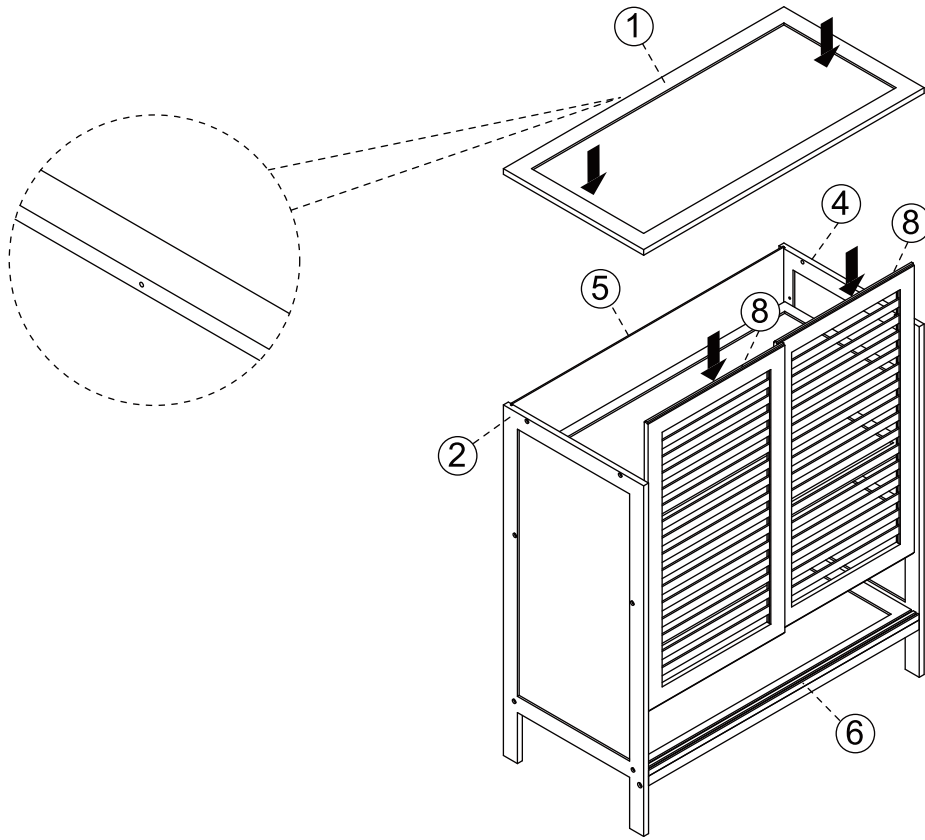
STEP 3



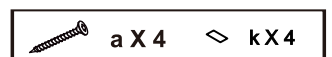
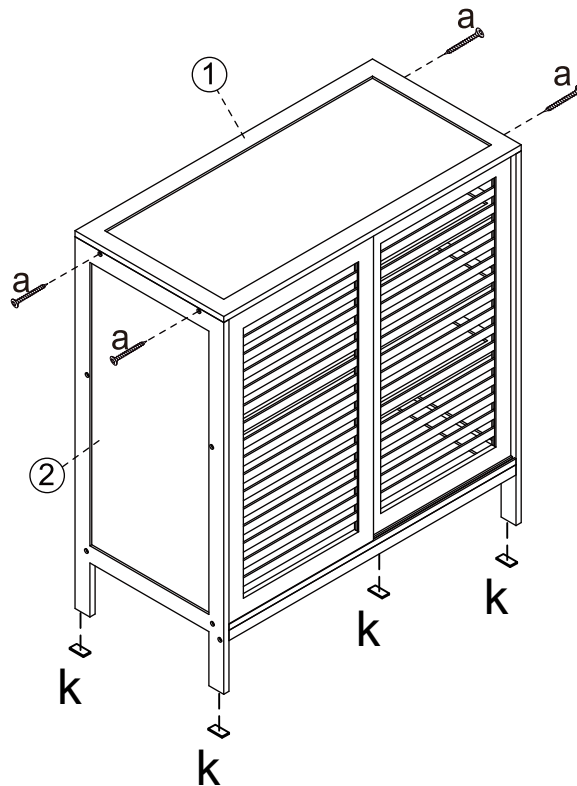
STEP 4



STEP 5

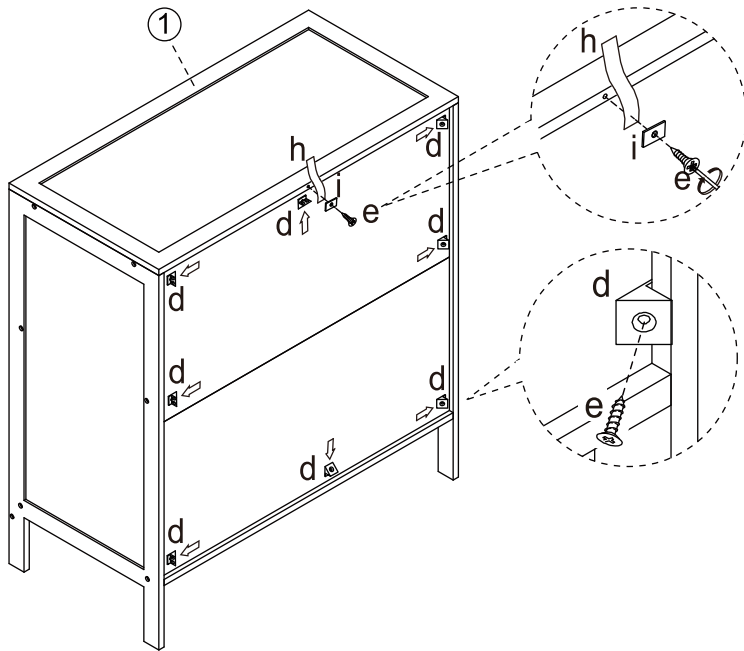


STEP 6



STEP 7

-  d X 8
-  e X 9
-  h X 1
-  i X 1



⚠ WARNING



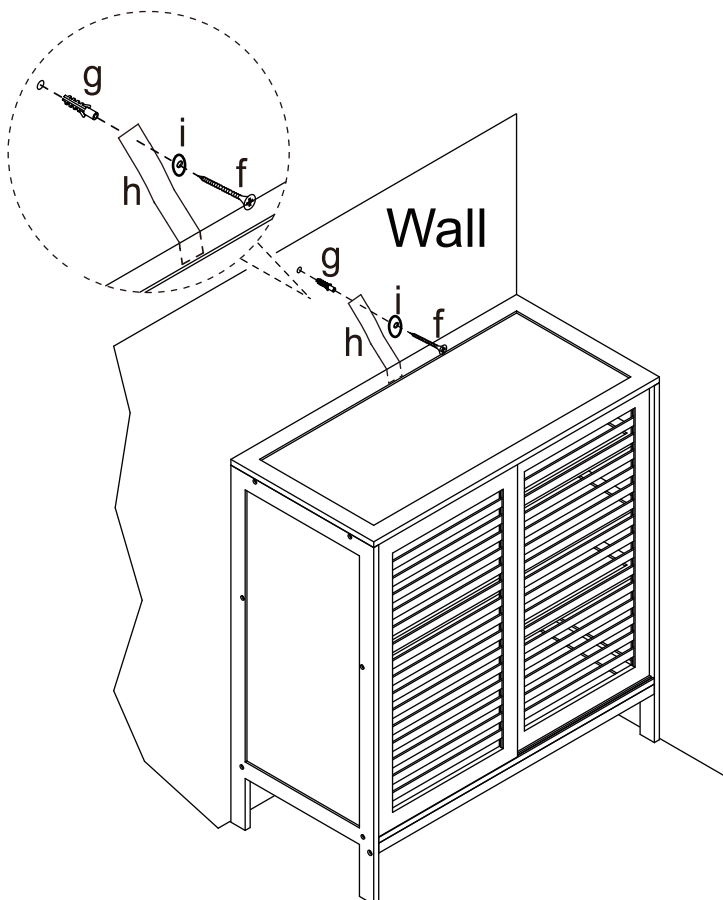

Children have died from furniture tipover.

- ALWAYS secure it with an anchor device.
- NEVER allow children to stand, climb or hang on drawers, doors, or shelves.
- NEVER open more than one drawer at a time.
- Place heavy items down low.

NEVER put a TV on this furniture 

This is a permanent label. Do not remove!

STEP 8



TOPPLING FURNITURE WARNING:

- ALWAYS secure it with an anchor device.
- Please seek professional advice if you are in doubt of what fixing device to use.
- Regularly check that anchors are securely maintained.
- Use safety drawer locks to prevent children climbing.
- Stability of tall items may be affected by thick pile carpet or uneven floors .
- Do not place unanchored televisions on furniture .

CAUTION: for your safety when attaching the anchor fixings, please note the following:

- Check any electrical wires or plumbing inside the wall before drilling any holes (if you are unsure please seek professional advice from a qualified tradesperson).



WARNING: PLEASE SECURE YOUR FURNITURE WITH THE SUPPLIED WALL FIXING. SCAN THE CODE FOR MORE INFORMATION.



-  f X 1
-  g X 1
-  i X 1