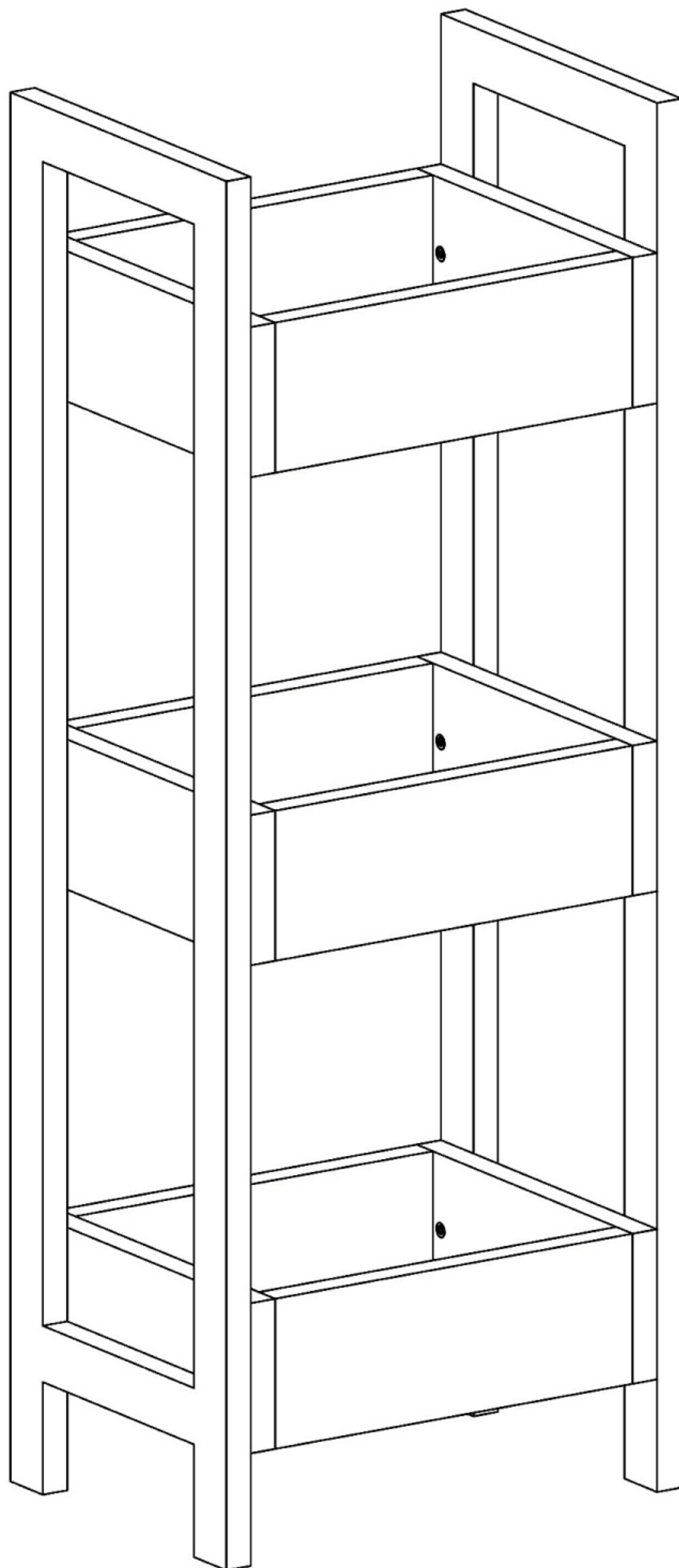


# Charlie 3 Tier Caddy

## Instruction Manual



The photos and illustrations shown in this instruction manual are generic.  
The manufacturer reserves the right to change any specification or feature without prior notice.

**IMPORTANT: KEEP FOR FUTURE REFERENCE. READ CAREFULLY.**

# Assembly Instructions

## 43705573 CHARLIE 3 TIER CADDY

### **WARNING:**

DO NOT STAND, SIT OR LEAN ON THIS UNIT.

DO NOT USE THIS UNIT AS A STEP LADDER OR AS A CHOPPING SURFACE.

KEEP AWAY FROM CHILDREN AND BABIES.

ADULT ASSEMBLY REQUIRED.

USE ONLY ON A FLAT SURFACE.

DO NOT USE THIS UNIT UNLESS ALL BOLTS AND SCREWS ARE FIRMLY SECURED.

### **CARE INSTRUCTIONS:**

TO BE ASSEMBLED ON A CLEAN, DRY AND SMOOTH SURFACE.

WIPE CLEAN WITH A SOFT DAMP CLOTH.

NEVER USE SCOURERS, ABRASIVES OR CHEMICAL SOLVENTS.

CHECK AND TIGHTEN ALL PARTS REGULARLY.

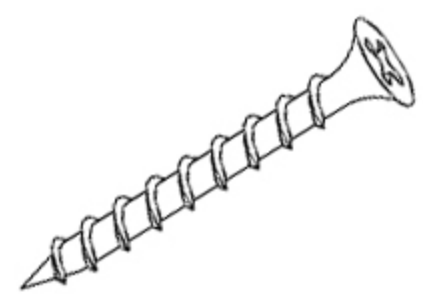
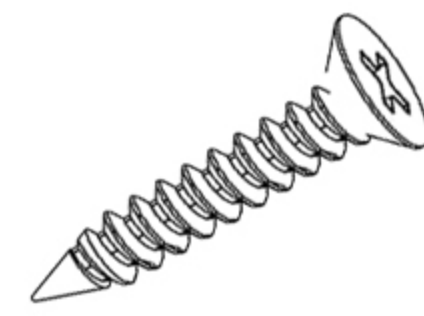


KEEP AWAY FROM MOISTURE AND DIRECT SUNLIGHT.

STORE IN A DRY PLACE.

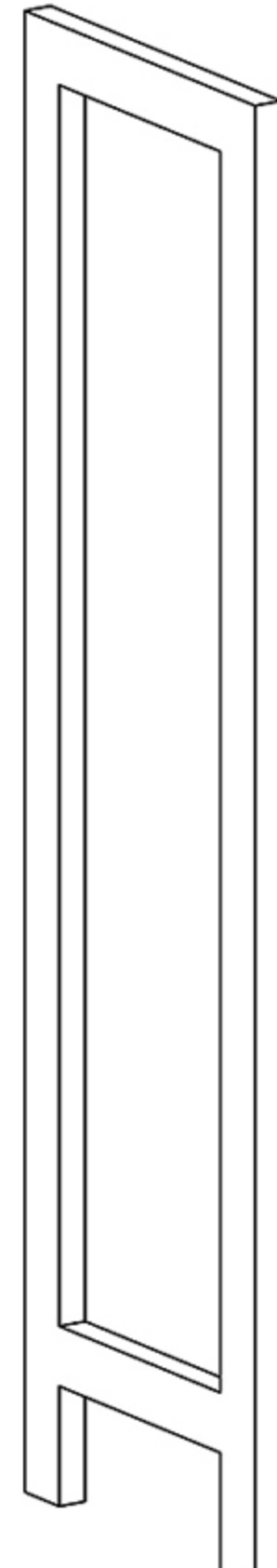

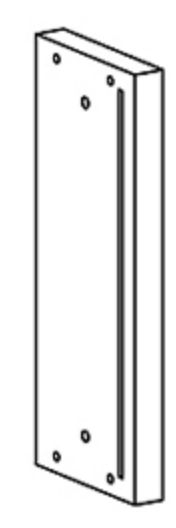
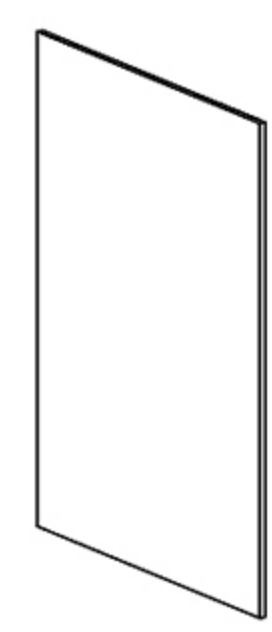
FOR INDOOR AND DOMESTIC USE ONLY.

**MAXIMUM SAFE LOAD: 5KG FOR EACH SHELF.**

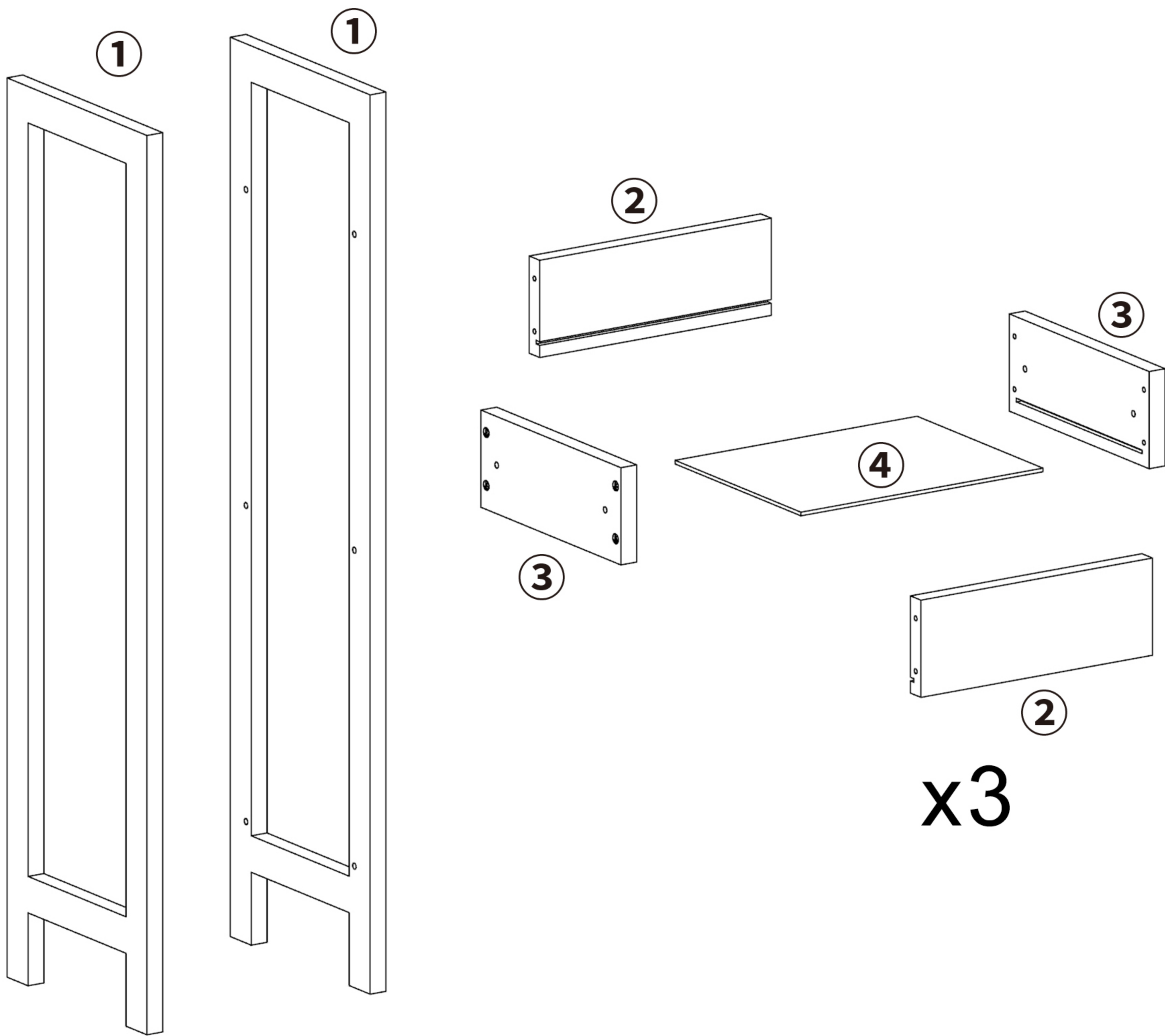
# 1 Hardware List

A		3x20mm	24PCS	B		4x25mm	12PCS
C			2PCS	D			4PCS

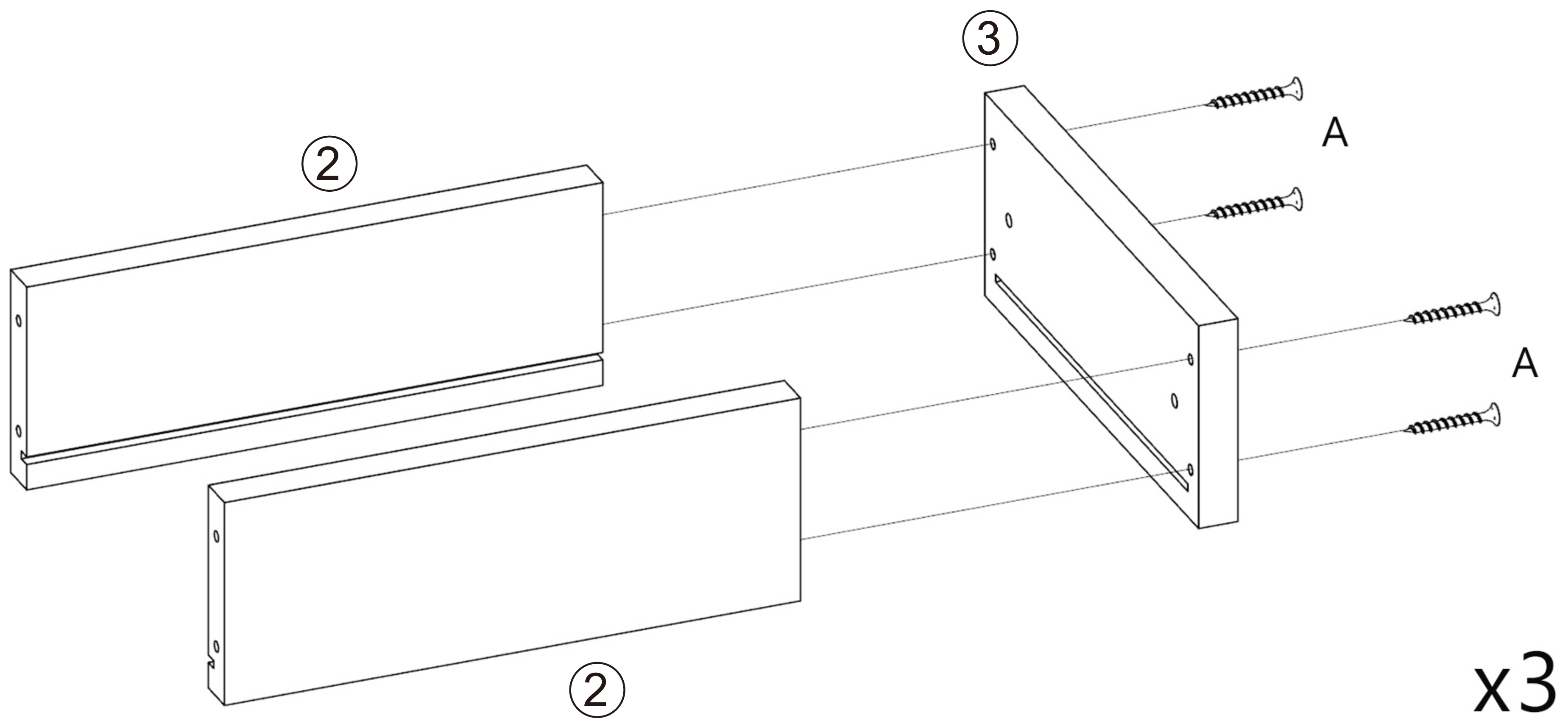
# 2 Parts List


			
①	2PCS	②	6PCS
			
③	6PCS	④	3PCS

# PANEL LAYOUT

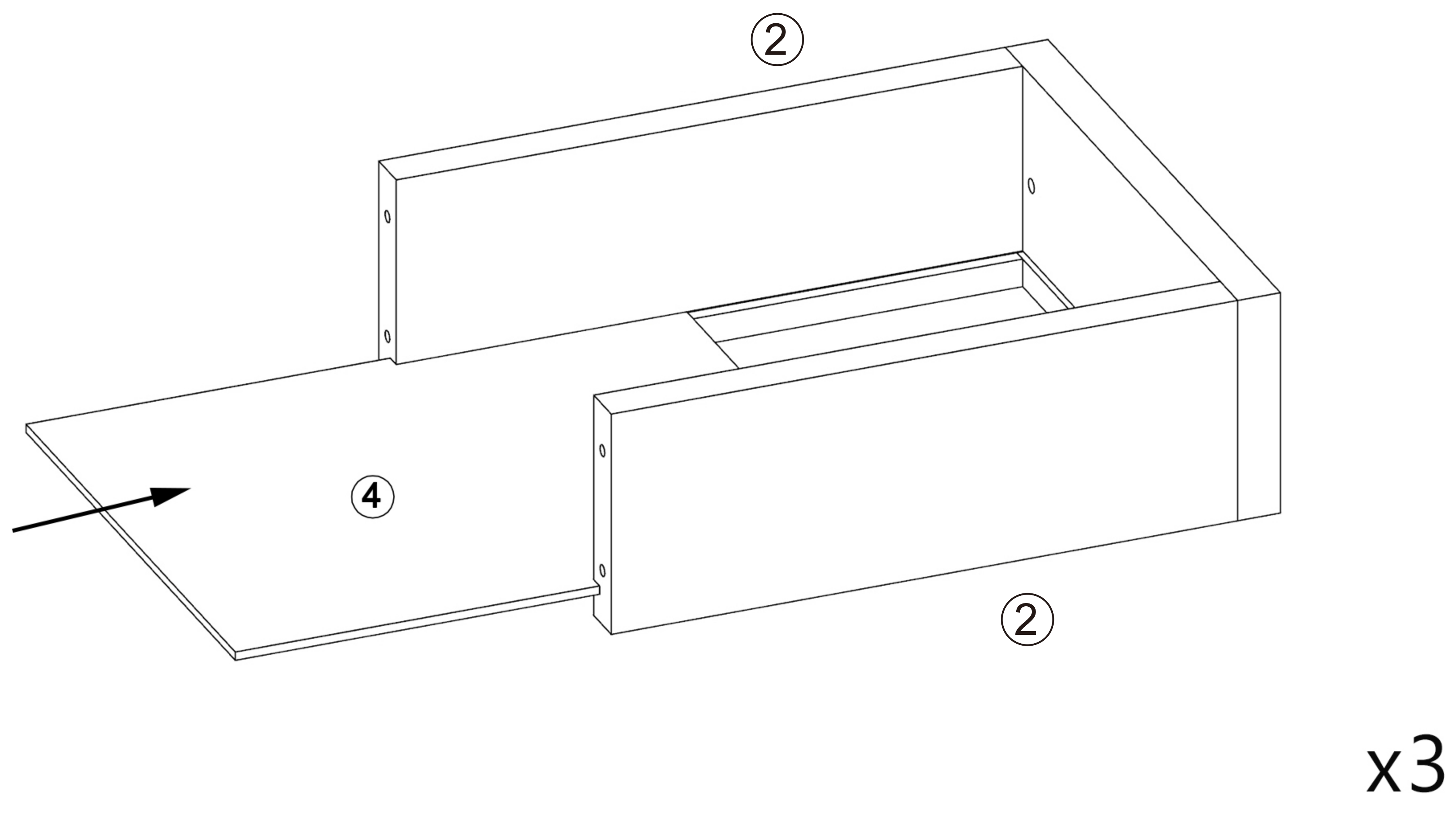


# STEP 1

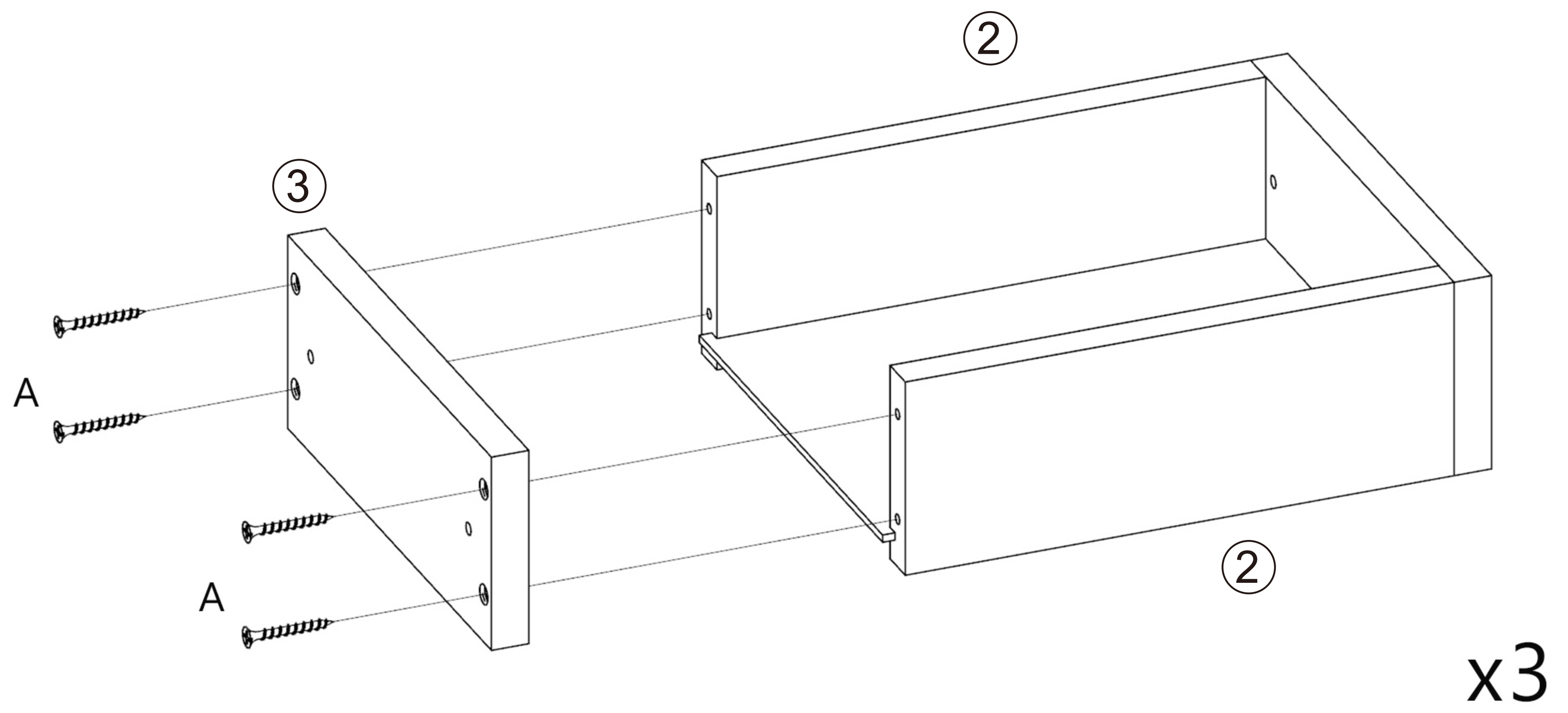



A-  x12

# STEP 2

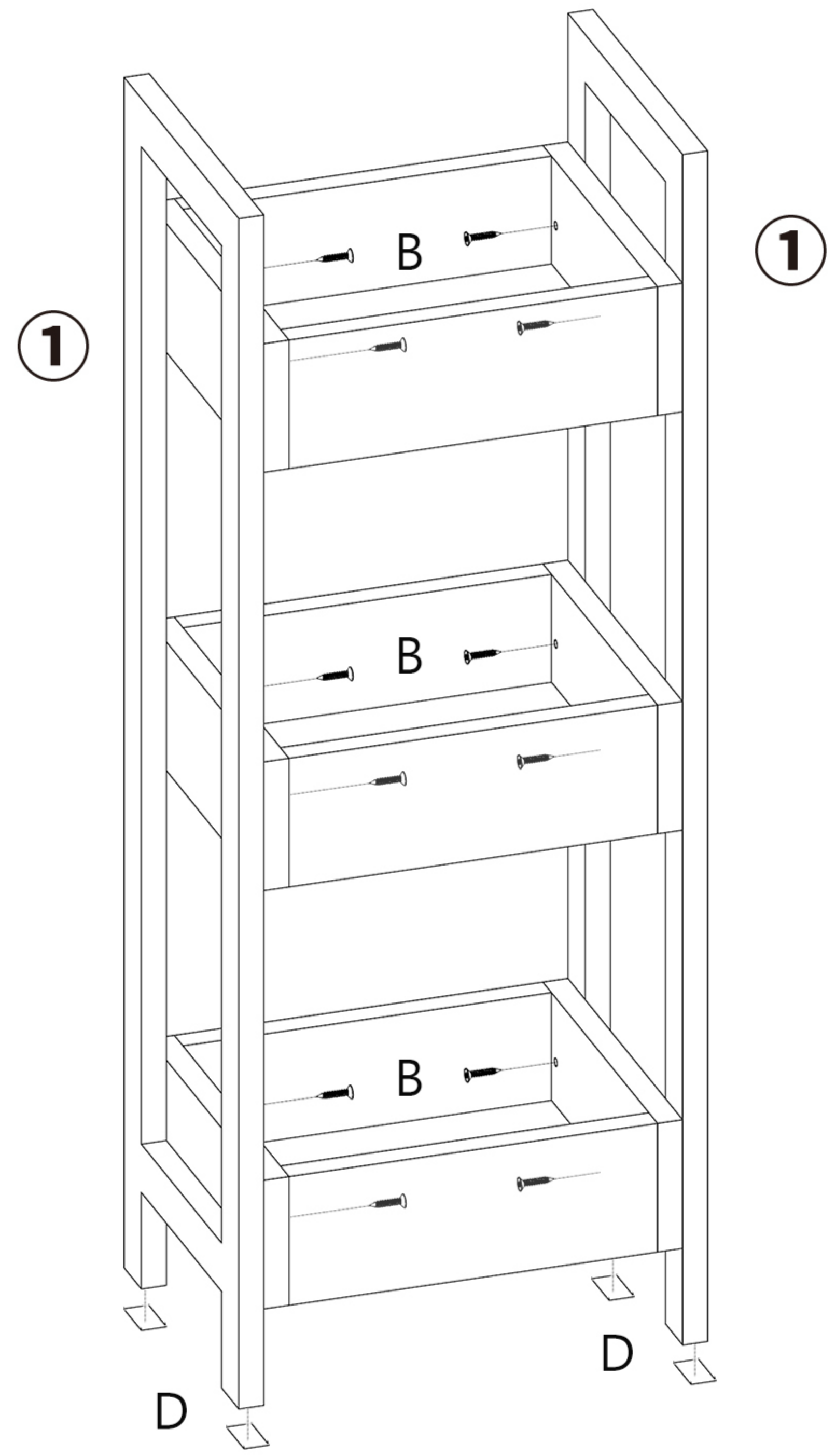




# STEP 3



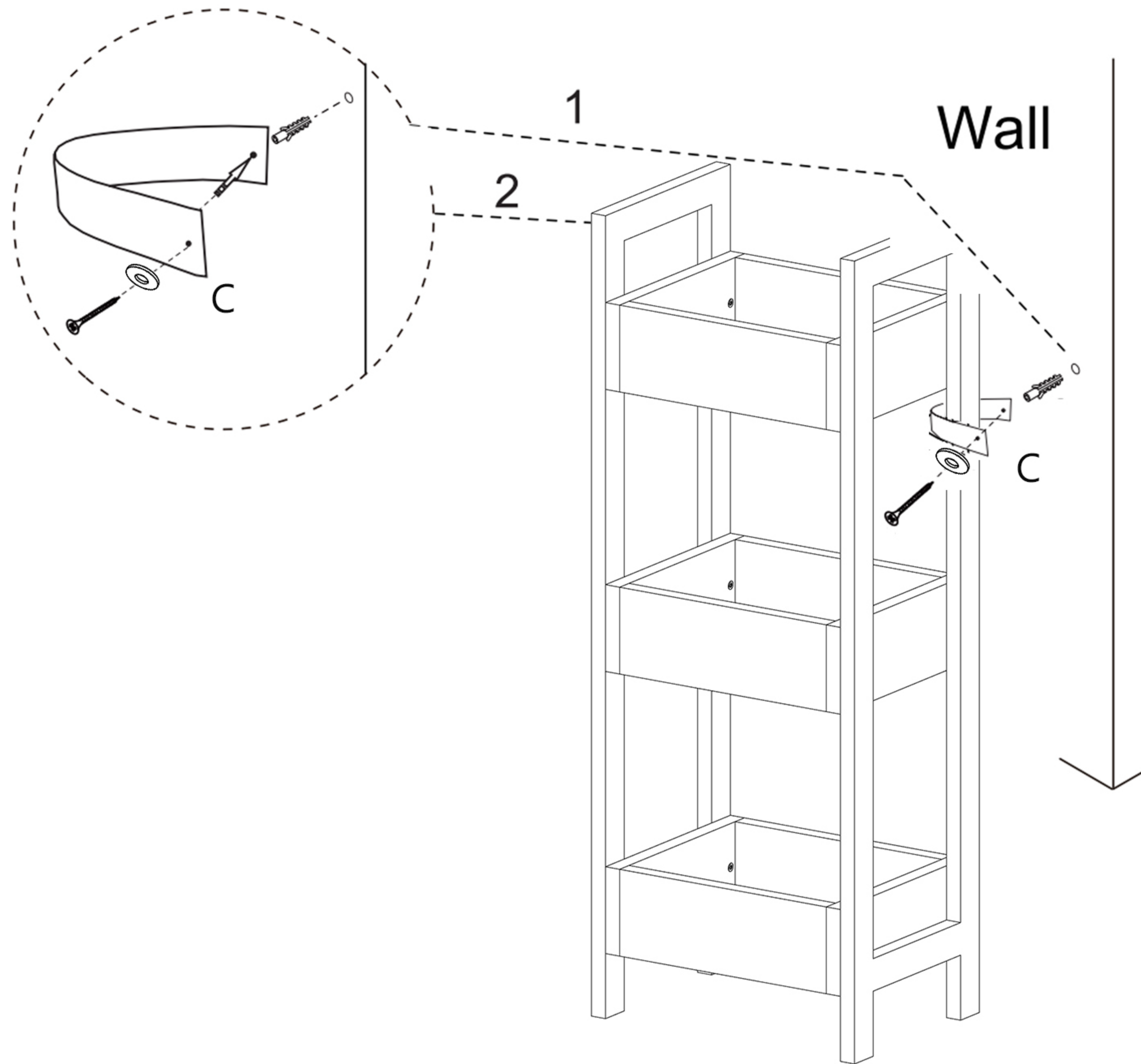
A-  x12

# STEP 4



D-  x4  
B-  x12

# STEP 5



C-  x2

## TOPPLING FURNITURE WARNING:

- **ALWAYS secure it with an anchor device.**
- **Please seek professional advice if you are in doubt of what fixing device to use.**
- **Regularly check that anchors are securely maintained.**
- **Use safety drawer locks to prevent children climbing.**
- **Stability of tall items may be affected by thick pile carpet or uneven floors .**
- **Do not place unanchored televisions on furniture .**

**CAUTION:** for your safety when attaching the anchor fixings, please note the following:

- **Check any electrical wires or plumbing inside the wall before drilling any holes (if you are unsure please seek professional advice from a qualified tradesperson).**

<b>▲ WARNING</b>	
	
<p>Children have died from furniture tipover.</p> <ul style="list-style-type: none"> <li>• ALWAYS secure it with an anchor device.</li> <li>• NEVER allow children to stand, climb or hang on drawers, doors, or shelves.</li> <li>• NEVER open more than one drawer at a time.</li> <li>• Place heavy items down low.</li> </ul>	
<p>NEVER put a TV on this furniture </p>	
<p>This is a permanent label. Do not remove!</p>	



**WARNING: PLEASE SECURE YOUR FURNITURE WITH THE SUPPLIED WALL FIXING SCAN THE CODE FOR MORE INFORMATION.**

