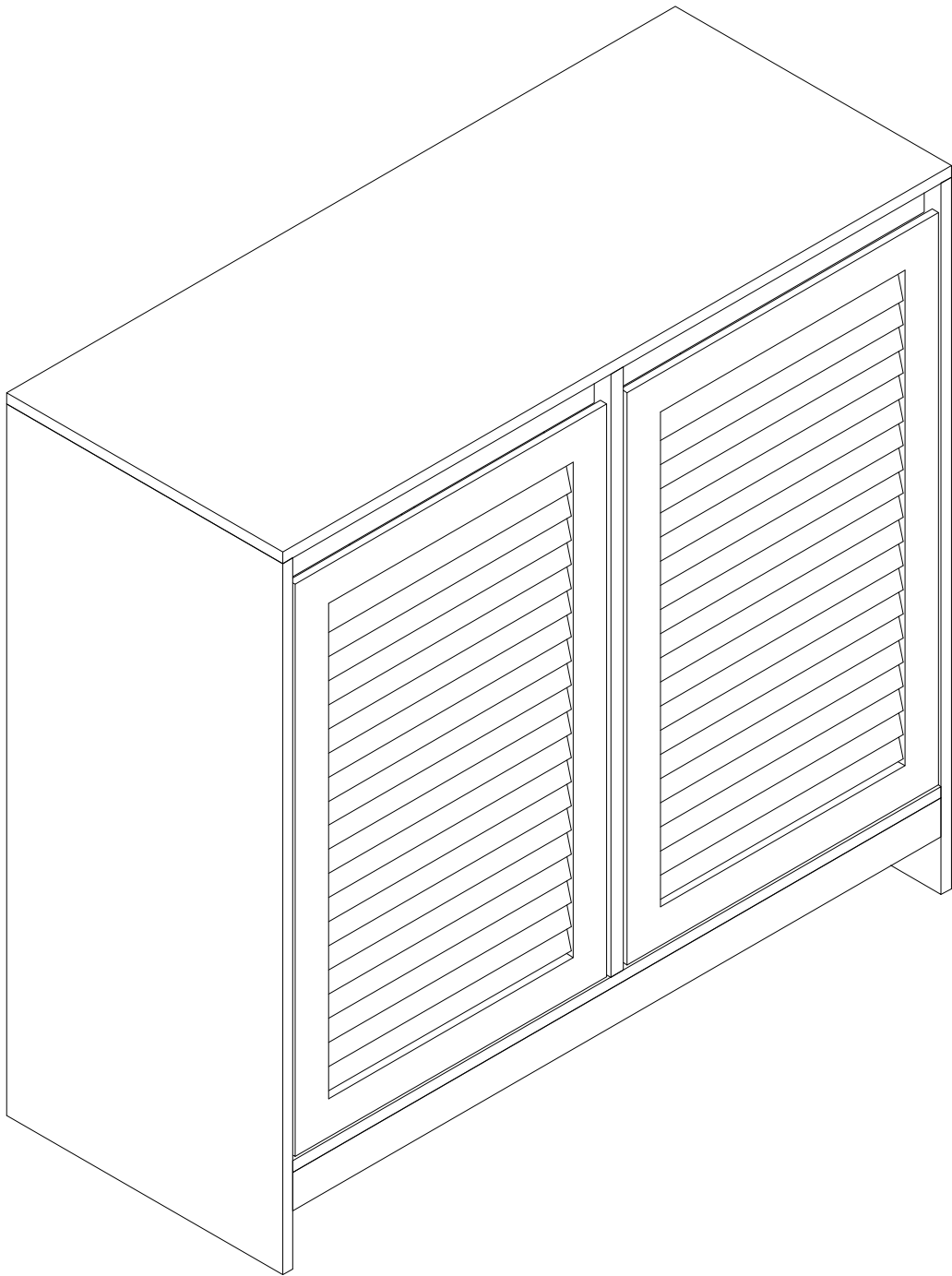




# Charlie Laundry Hamper Cabinet

## Instruction Manual



The photos and illustrations shown in this instruction manual are generic.  
The manufacturer reserves the right to change any specification or feature without prior notice.

**IMPORTANT: KEEP FOR FUTURE REFERENCE. READ CAREFULLY.**

# Assembly Instructions

K:43705542 CHARLIE LAUNDRY HAMPER CABINET

## **WARNING:**

DO NOT STAND, SIT OR LEAN ON THIS UNIT.

DO NOT USE THIS UNIT AS A STEP LADDER OR AS A CHOPPING SURFACE.

KEEP AWAY FROM CHILDREN AND BABIES.

ADULT ASSEMBLY REQUIRED.

USE ONLY ON A FLAT SURFACE.

DO NOT USE THIS UNIT UNLESS ALL BOLTS AND SCREWS ARE FIRMLY SECURED.

## **CARE INSTRUCTIONS:**

TO BE ASSEMBLED ON A CLEAN, DRY AND SMOOTH SURFACE.

WIPE CLEAN WITH A SOFT DAMP CLOTH.

NEVER USE SCOURERS, ABRASIVES OR CHEMICAL SOLVENTS.

CHECK AND TIGHTEN ALL PARTS REGULARLY.

KEEP AWAY FROM MOISTURE AND DIRECT SUNLIGHT.

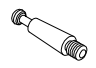

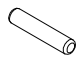












STORE IN A DRY PLACE.

FOR INDOOR AND DOMESTIC USE ONLY.

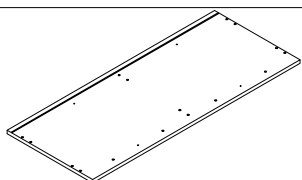
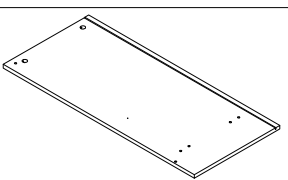
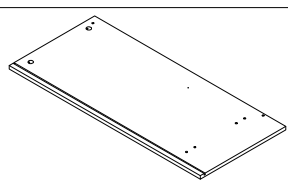
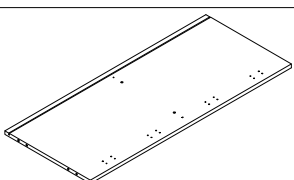
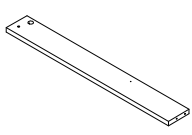
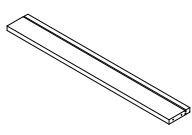
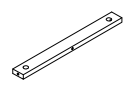
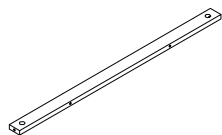
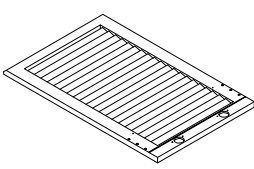
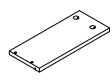
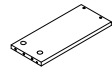
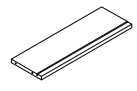
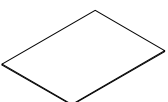
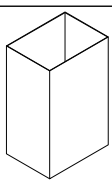
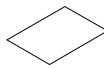
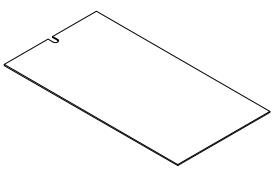
## **MAXIMUM SAFE LOAD:**

**TOP PANEL: 10kg EACH CLOTH BAG : 7kg**

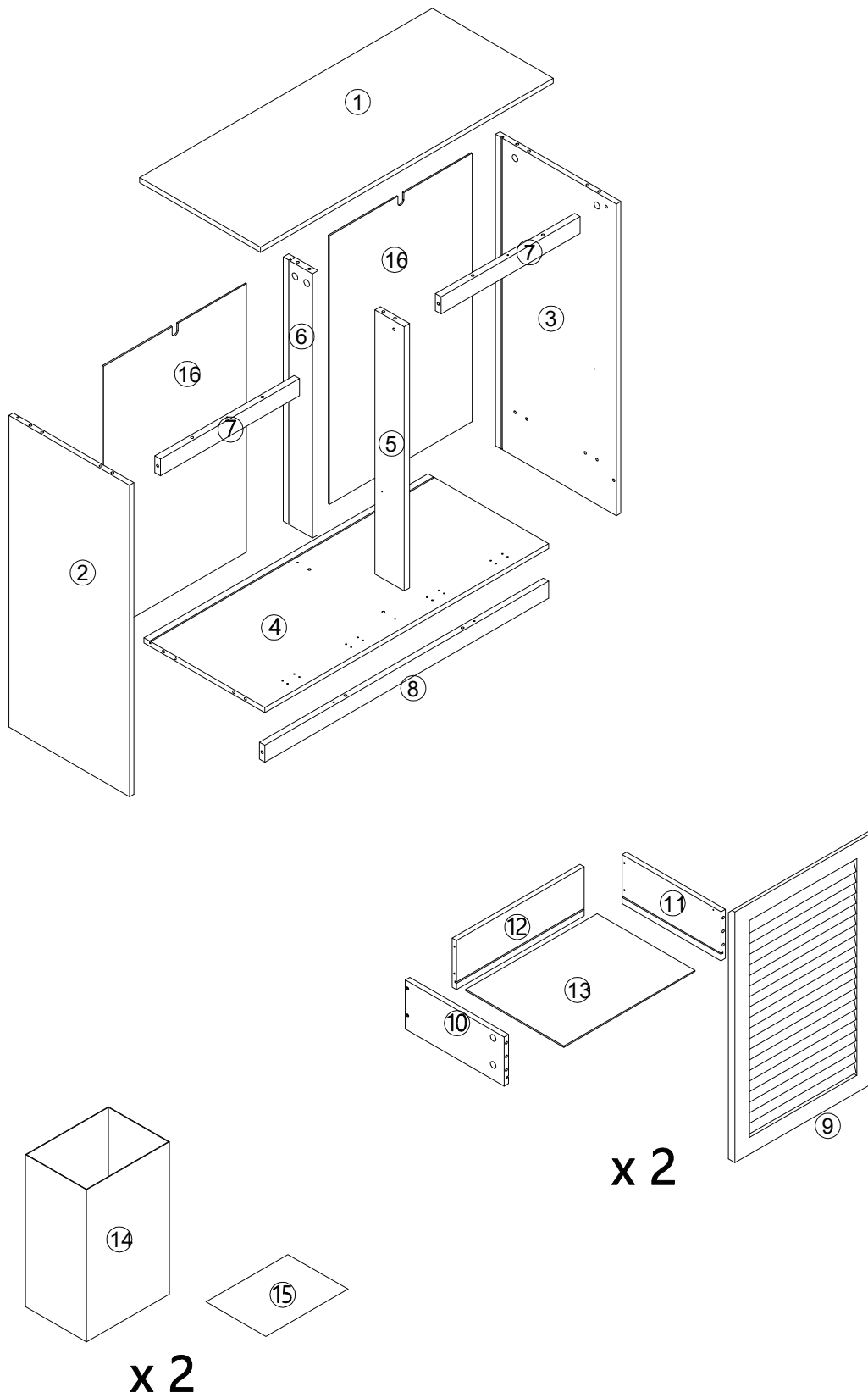
# 1 Hardware List

A		M6x35mm	25pcs	B		Ø15x9mm	25pcs	C		Ø6x30mm	21pcs	D		M4x35mm	16pcs
E			4pcs	F		M4x14mm	24pcs	G			8pcs	H		M3x16mm	8pcs
I		M3x14mm	4pcs	J			4pcs	K		M4x12mm	8pcs	L			4pcs
M			2pcs	N		M4x12mm	2pcs	O			2pcs				

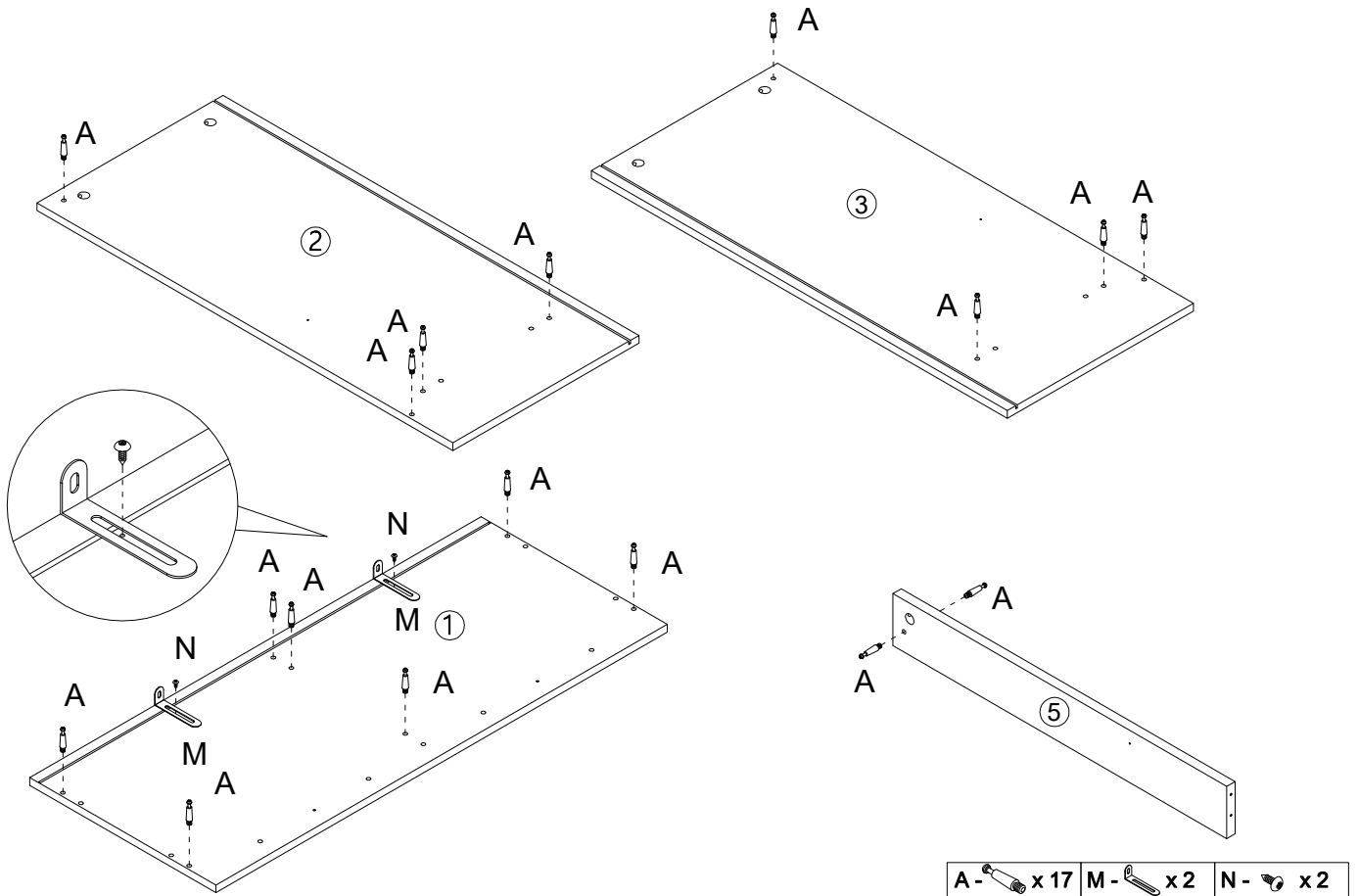
# 2 Parts List

			
① 1PC	② 1PC	③ 1PC	④ 1PC
			
⑤ 1PC	⑥ 1PC	⑦ 2PCS	⑧ 1PC
			
⑨ 2PCS	⑩ 2PCS	⑪ 2PCS	⑫ 2PCS
			
⑬ 2PCS	⑭ 2PCS	⑮ 2PCS	⑯ 2PCS

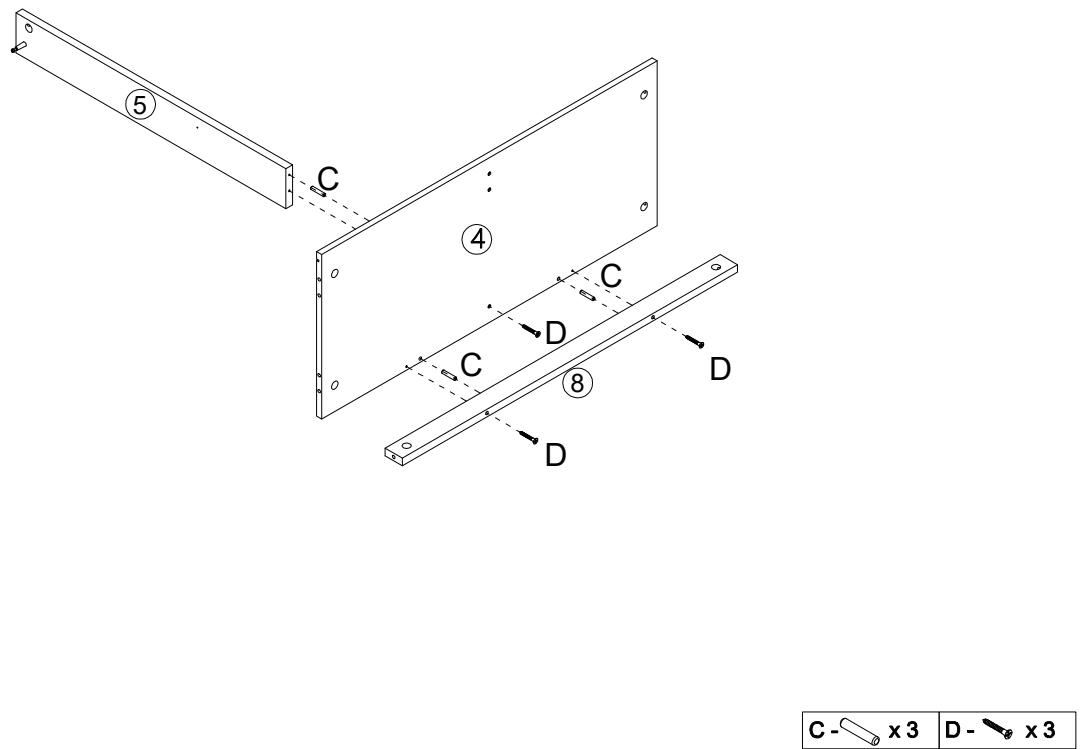
# PANEL LAYOUT



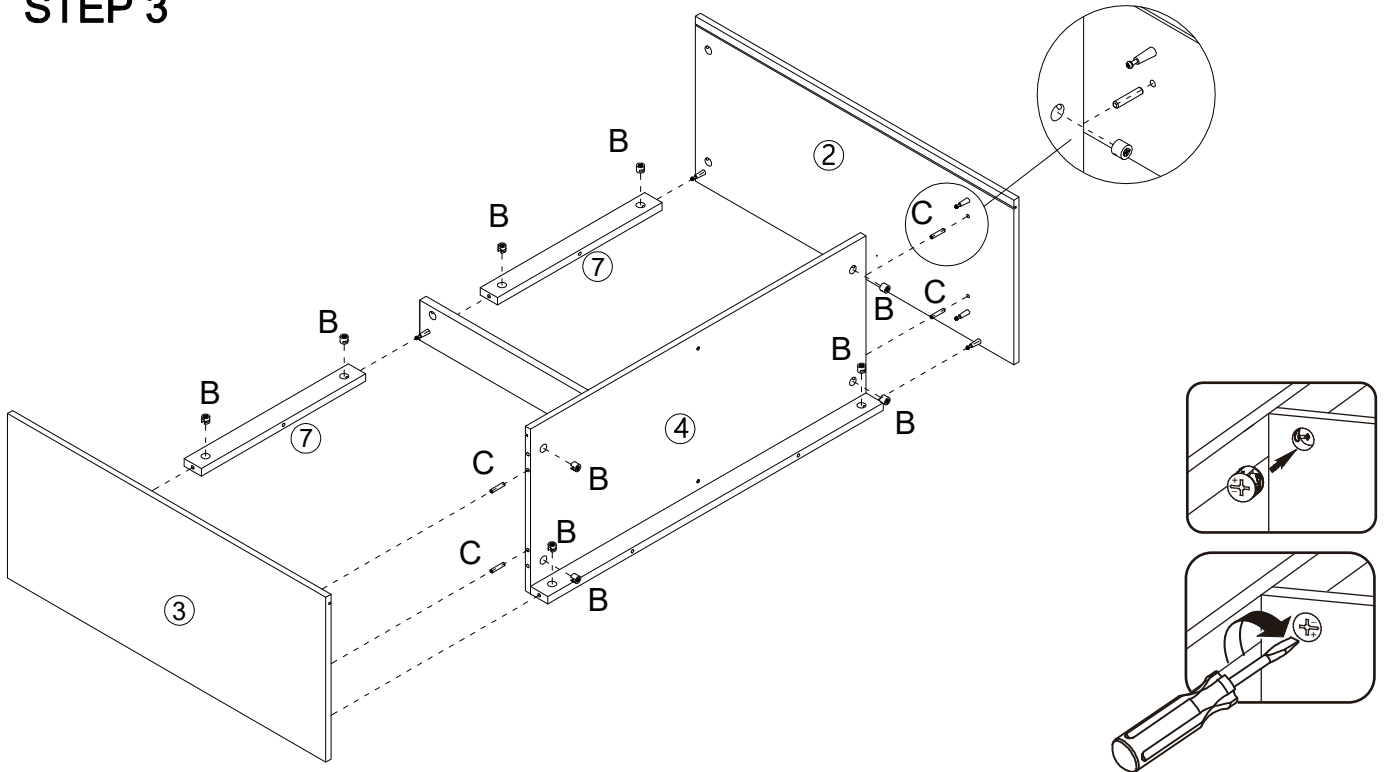
# STEP 1





# STEP 2

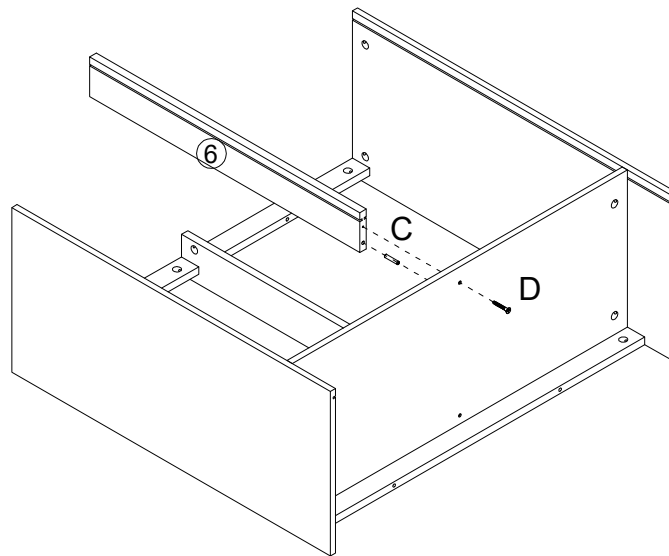




### STEP 3



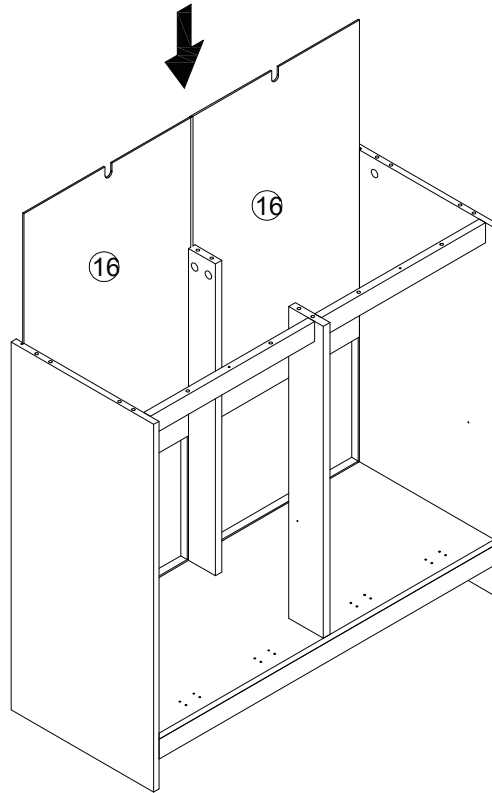
B -  x 10 C -  x 4

### STEP 4



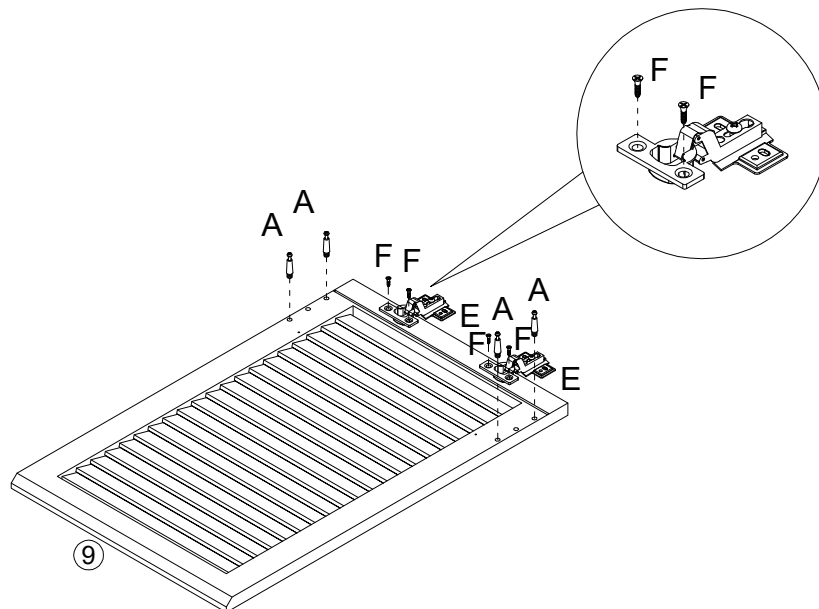
C -  x 1 D -  x 1

# STEP 5



# STEP 6

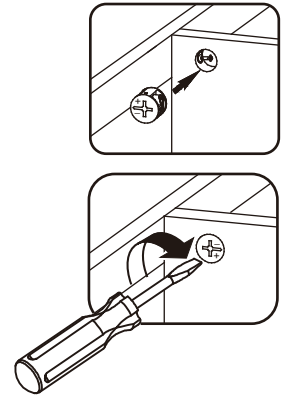
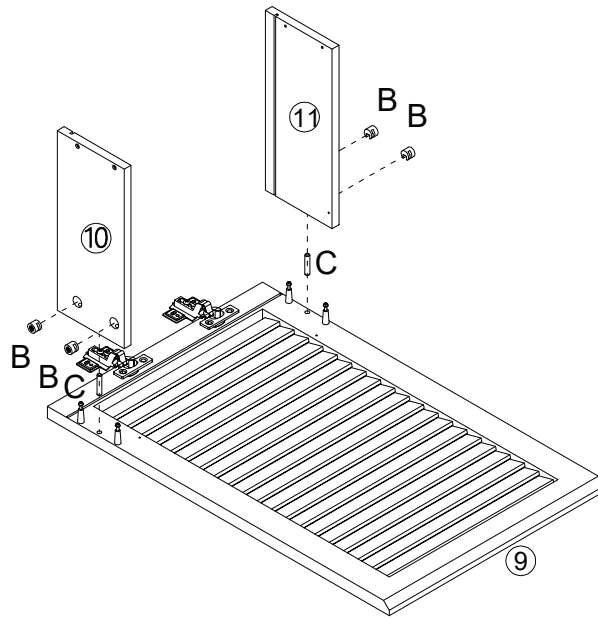
X 2


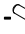


- |   |   |   |
|---|---|---|
| A -  x 8 | E -  x 4 | F -  x 8 |
|---|---|---|

# STEP 7

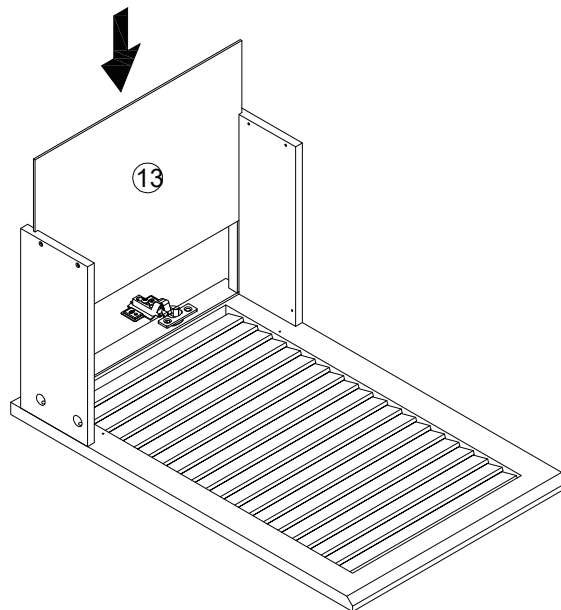
X 2



B -  x 8 C -  x 4

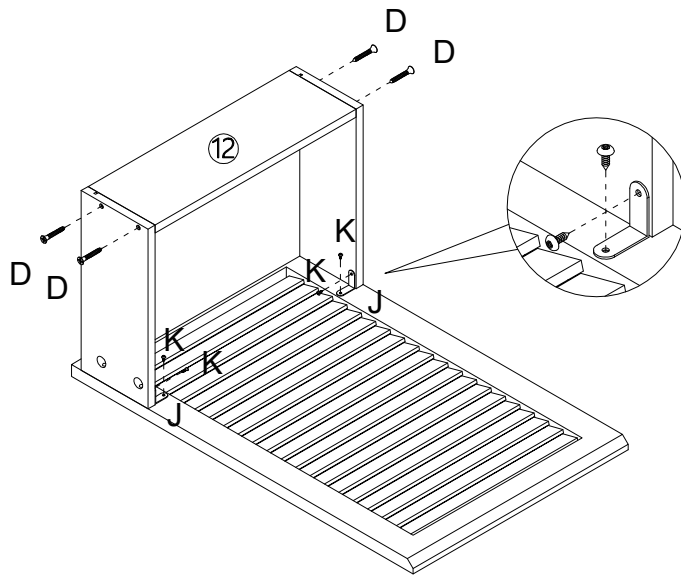
# STEP 8

X 2



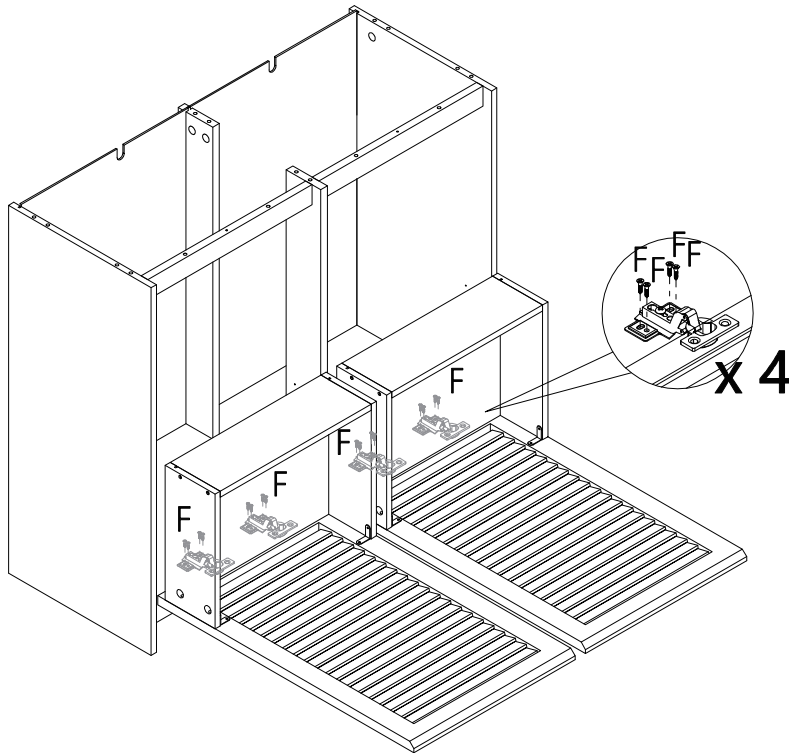
# STEP 9

X 2



D -  x 8    J -  x 4    K -  x 8

# STEP 10



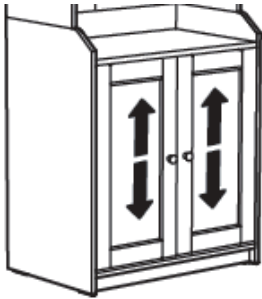
F -  x 16

## STEP 11

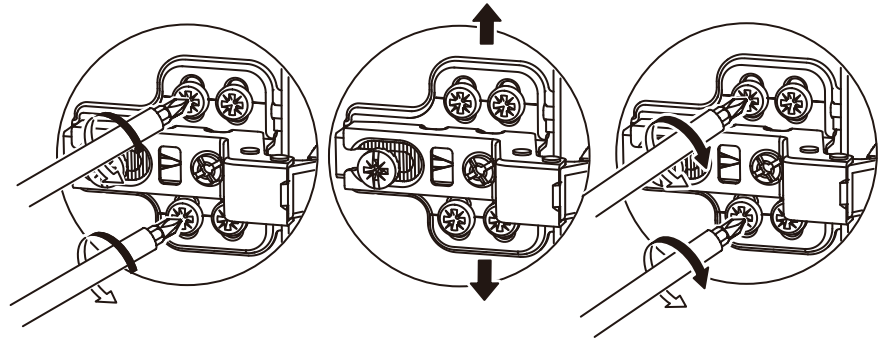
### Hinger Adjustment Tips

Noted: The door might be scraping, bumping, misaligned when first assembly.

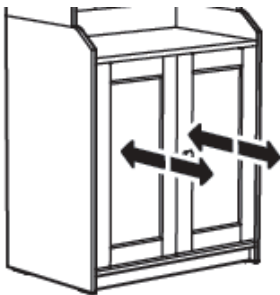
Please follow the below tips:



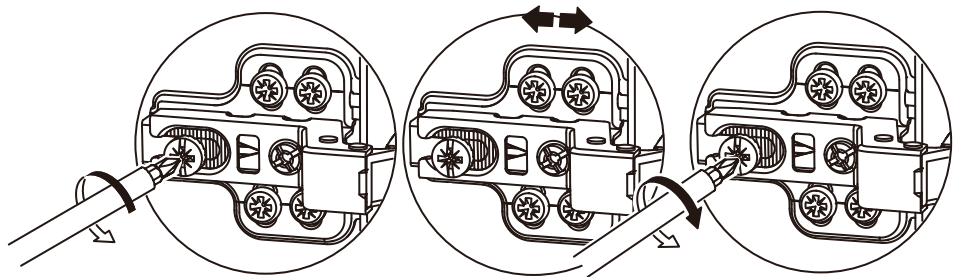
Adjust the door up and down



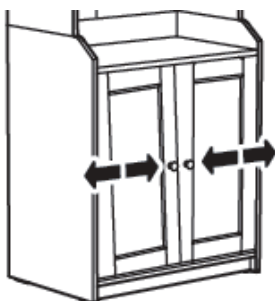
1. Loosen the two mounting screws on both hinges, but only slightly. ...
2. Gently close the cabinet door.
3. With the door still closed, adjust the cabinet door to the desired height.
4. Open the cabinet door again, being careful not to jostle the door out of position.
5. Retighten the screws by hand.



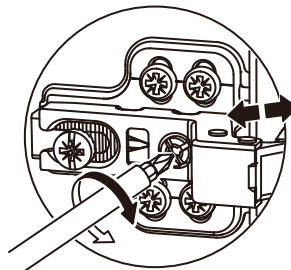
Move the door in and out



If the door doesn't meet the box at the top, adjust the top hinge toward the cabinet and/or adjust the bottom hinge away from the cabinet. If the door is gapped at the bottom, do the reverse.

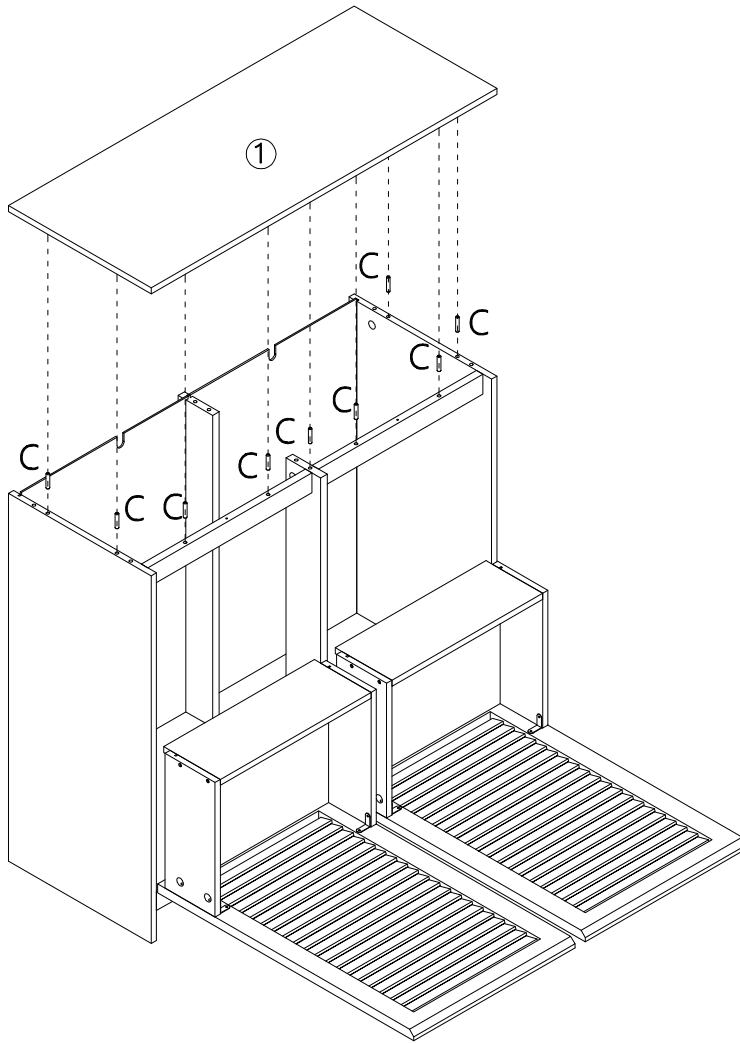


Move the door right or left



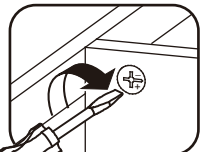
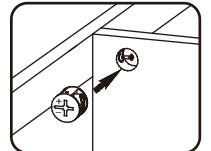
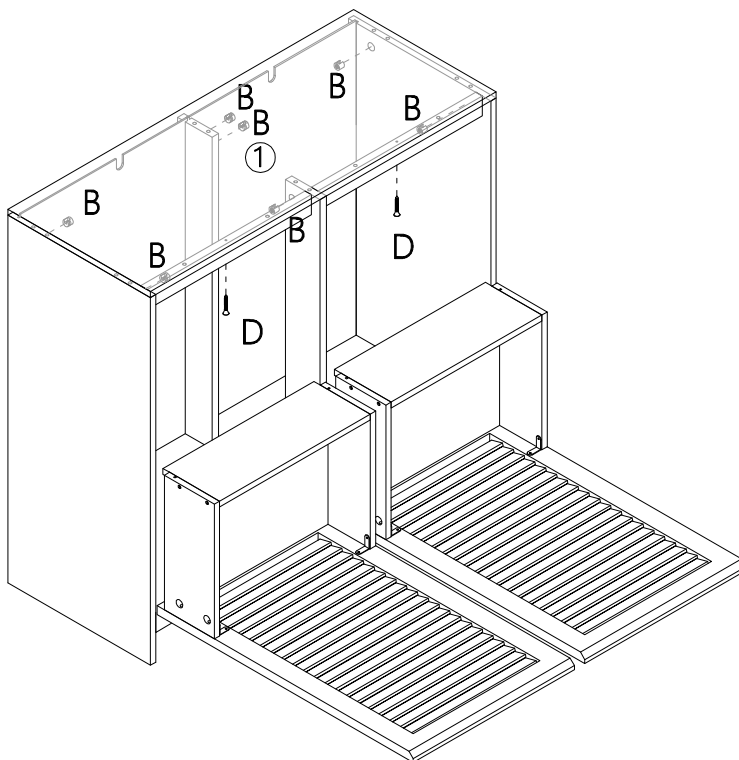
You can adjust one or both hinges on each door, depending on how much correction it needs. If the door seems to be tilting down to the right, turn the side-to-side screw on the top hinge so the hinge pulls closer to the side of the cabinet box, moving the top of the door to the left.



## STEP 12



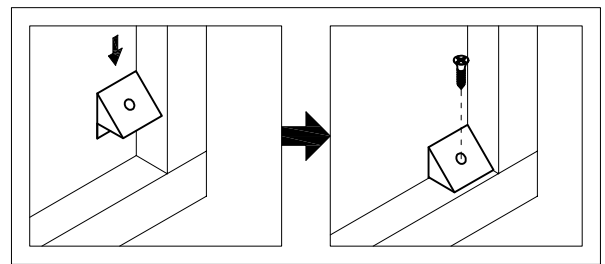
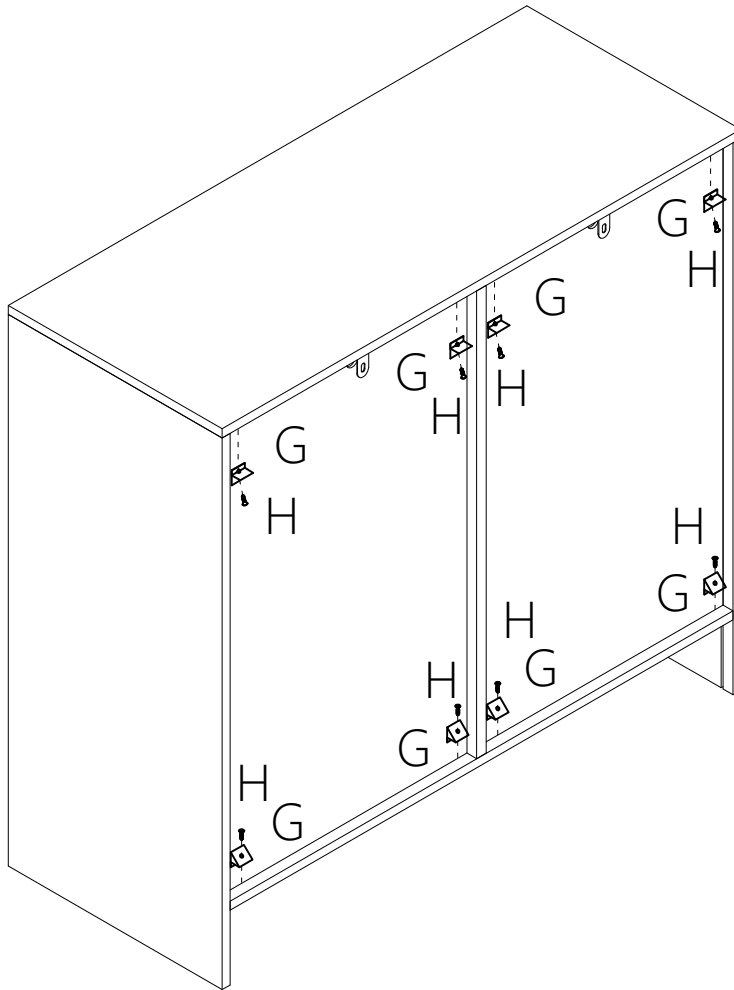
C -  x9



## STEP 13



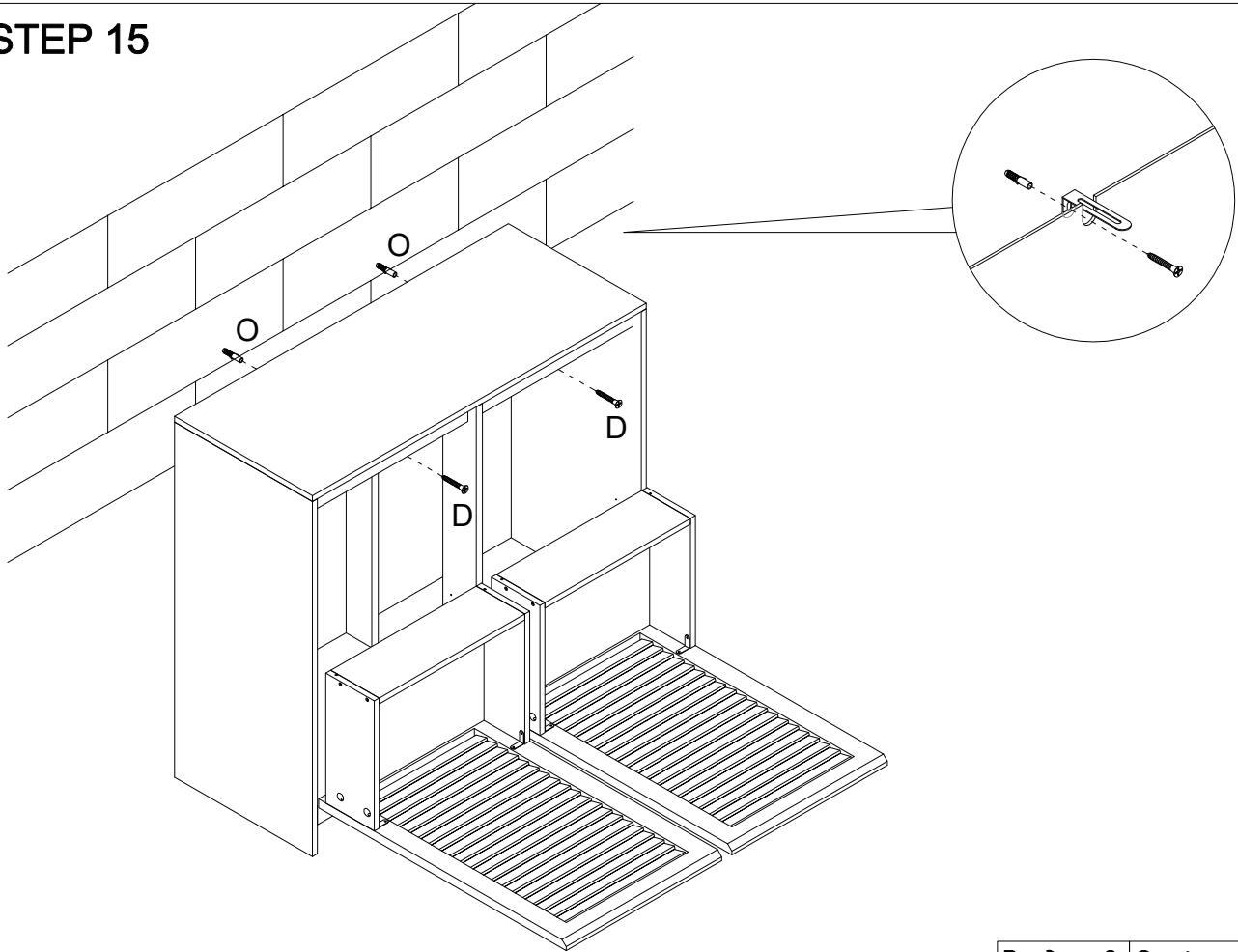
B -  x7 D -  x2



# STEP 14



G -  x8 H -  x8

# STEP 15



D -  x2    O -  x2

**⚠ WARNING**




**Children have died from furniture tipover.**

- ALWAYS secure it with an anchor device.
- NEVER allow children to stand, climb or hang on drawers, doors, or shelves.
- NEVER open more than one drawer at a time.
- Place heavy items down low.

**NEVER put a TV on this furniture** 

**This is a permanent label. Do not remove!**

### TOPPLING FURNITURE WARNING:

- **ALWAYS** secure it with an anchor device.
- **Please seek professional advice if you are in doubt of what fixing device to use.**
- **Regularly check that anchors are securely maintained.**
- **Use safety drawer locks to prevent children climbing.**
- **Stability of tall items may be affected by thick pile carpet or uneven floors .**
- **Do not place unanchored televisions on furniture .**

**CAUTION:** for your safety when attaching the anchor fixings, please note the following:

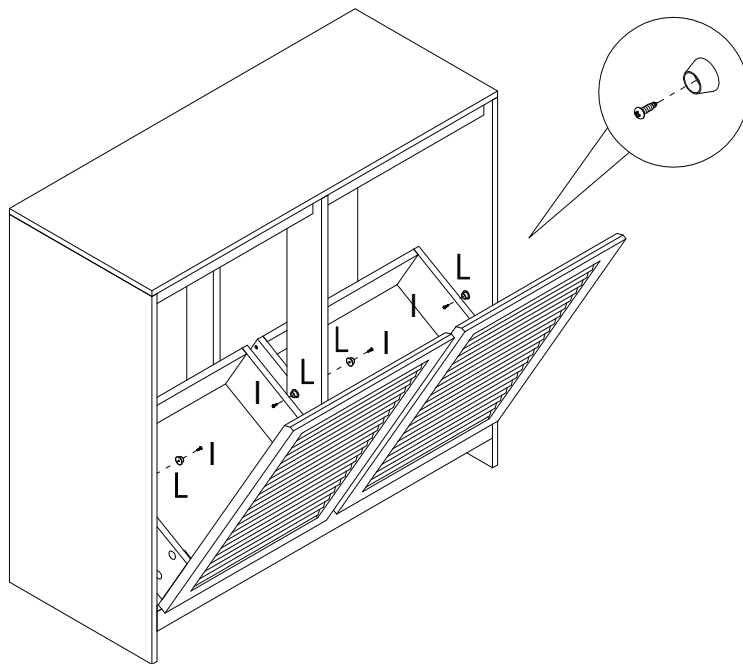
- **Check any electrical wires or plumbing inside the wall before drilling any holes (if you are unsure please seek professional advice from a qualified tradesperson).**





WARNING: PLEASE SECURE YOUR FURNITURE WITH THE SUPPLIED WALL FIXING. SCAN THE CODE FOR MORE INFORMATION.



# STEP 16



L -  x4 | I -  x4

# STEP 17

