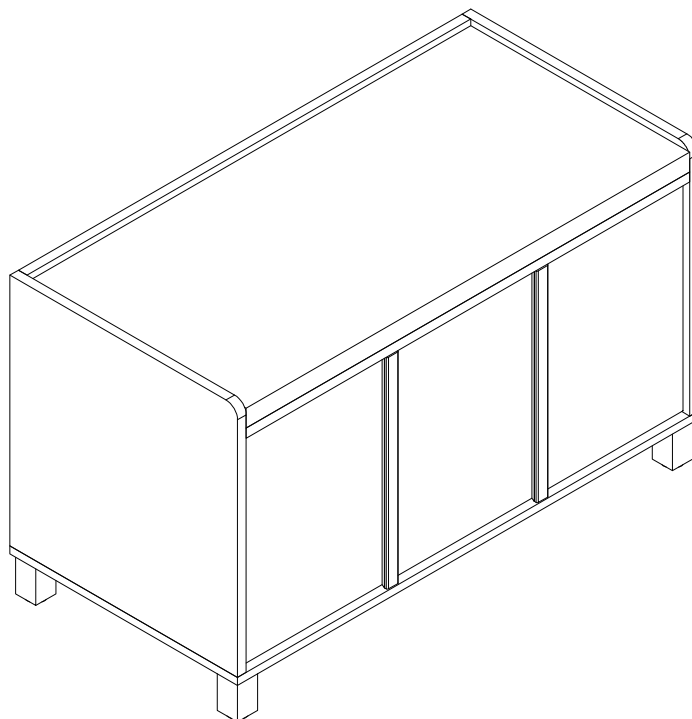


# Willow Shoe Bench

## Instruction Manual



The photos and illustrations shown in this instruction manual are generic.  
The manufacturer reserves the right to change any specification or feature without prior notice.

**IMPORTANT: KEEP FOR FUTURE REFERENCE. READ CAREFULLY.**

# Assembly Instructions

## 43705504 WILLOW SHOE BENCH

### **WARNING:**

DO NOT USE THIS UNIT AS A STEP LADDER OR AS A CHOPPING SURFACE.

KEEP AWAY FROM CHILDREN AND BABIES.

ADULT ASSEMBLY REQUIRED.

USE ONLY ON A FLAT SURFACE.

DO NOT USE THIS UNIT UNLESS ALL BOLTS AND SCREWS ARE FIRMLY SECURED.

### **CARE INSTRUCTIONS:**

TO BE ASSEMBLED ON A CLEAN, DRY AND SMOOTH SURFACE.

WIPE CLEAN WITH A SOFT DAMP CLOTH.

NEVER USE SCOURERS, ABRASIVES OR CHEMICAL SOLVENTS.

CHECK AND TIGHTEN ALL PARTS REGULARLY.

KEEP AWAY FROM MOISTURE AND DIRECT SUNLIGHT.

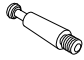

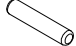







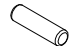







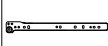



STORE IN A DRY PLACE.

FOR INDOOR AND DOMESTIC USE ONLY.

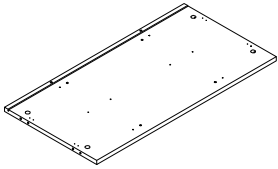
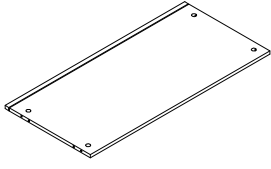
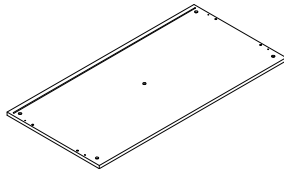
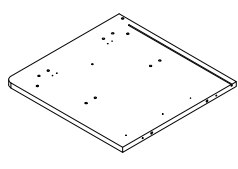
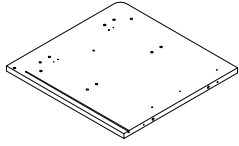
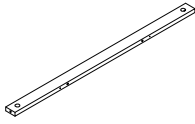
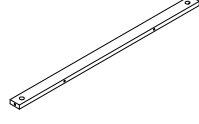
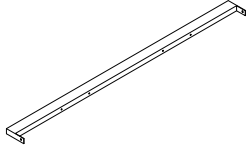
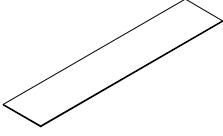
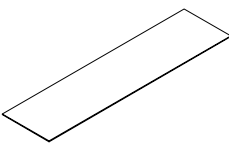
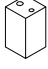
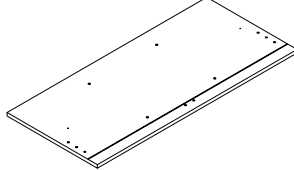

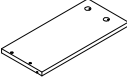
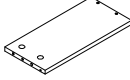
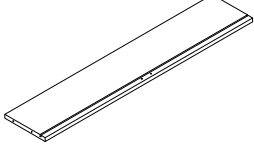
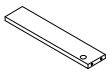
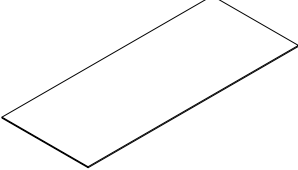
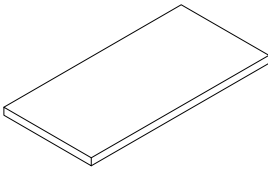
### **MAXIMUM SAFE LOAD:**

**SEAT SURFACE: 100Kg FOR EACH SHELF: 10Kg**

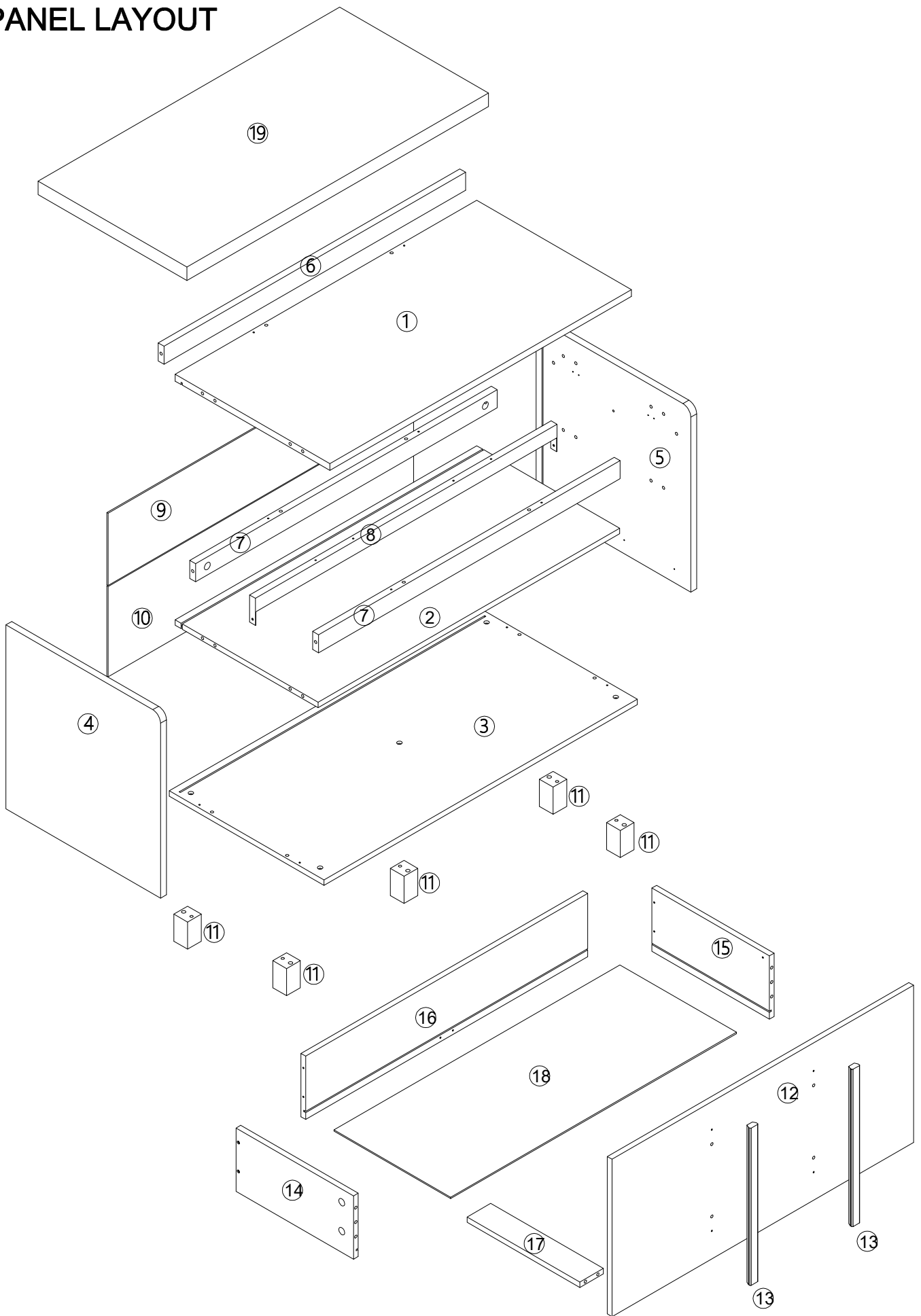
# 1 Hardware List

A		M6x35mm	19pcs	B		Ø15x9mm	19pcs	C		Ø6x30mm	21pcs	D		M4x35mm	16pcs
E		M4x25mm	4pcs	F		Ø6x15mm	4pcs	G			8pcs	H		M3x16mm	8pcs
I			1pcs	J		M7x40mm	5pcs	K		Ø8x30mm	5pcs	L		M4x40mm	4pcs
M			4pcs	N		M3x12mm	28pcs	O		M3x14mm	2pcs	P			5pcs
Q			2pcs	R		M4x12mm	4pcs	CL			1pcs	CR			1pcs
DL			1pcs	DR			1pcs								

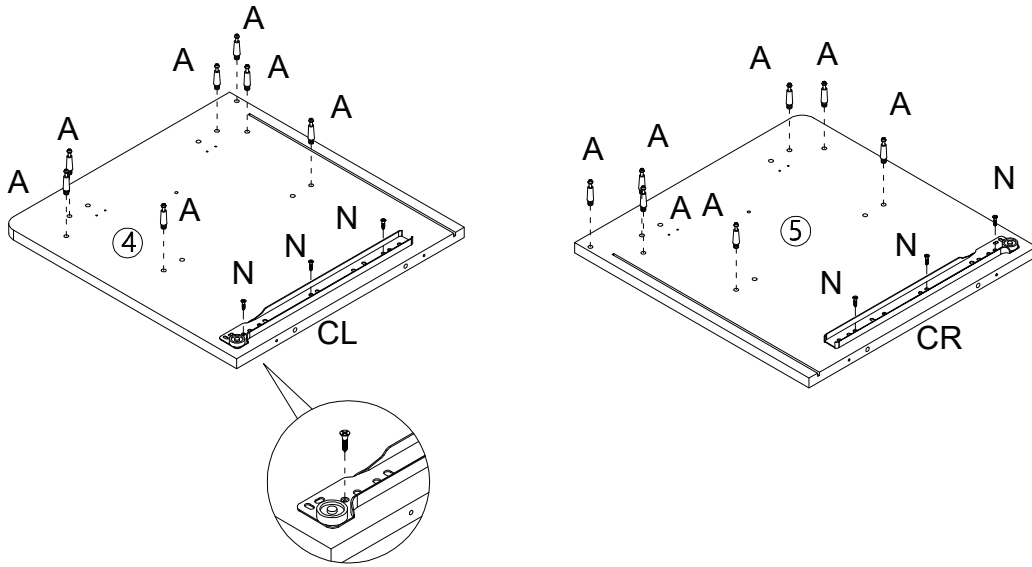
# 2 Parts List


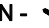


			
① 1PC	② 1PC	③ 1PC	④ 1PC
			
⑤ 1PC	⑥ 1PC	⑦ 2PCS	⑧ 1PC
			
⑨ 1PC	⑩ 1PC	⑪ 5PCS	⑫ 1PC
			
⑬ 2PCS	⑭ 1PC	⑮ 1PC	⑯ 1PC
			
⑰ 1PC	⑱ 1PC	⑲ 1PC	

# PANEL LAYOUT

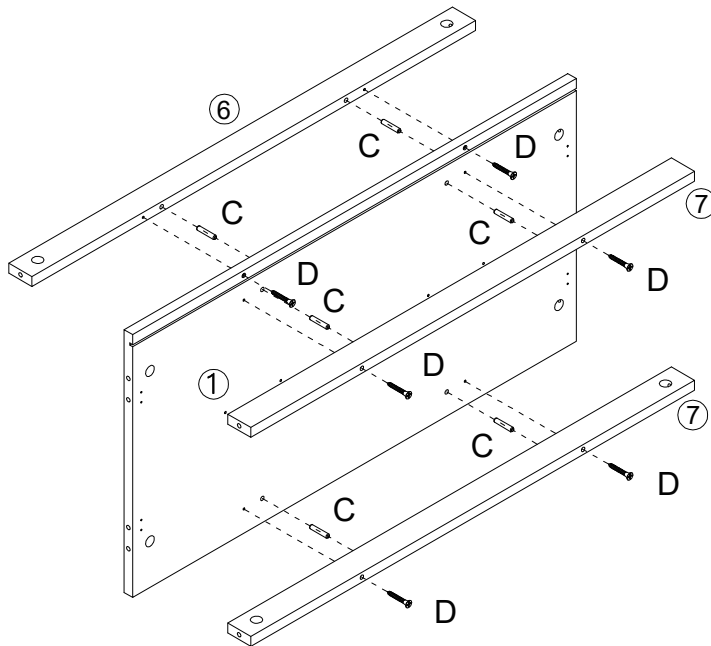




# STEP 1



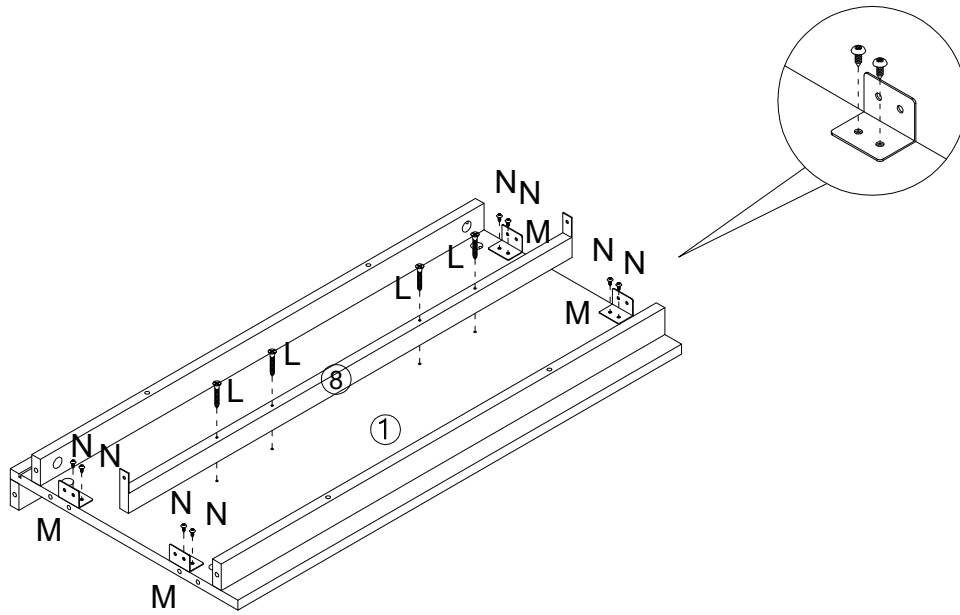
A -  x 14   N -  x 6   CL -  x 1   CR -  x 1

# STEP 2



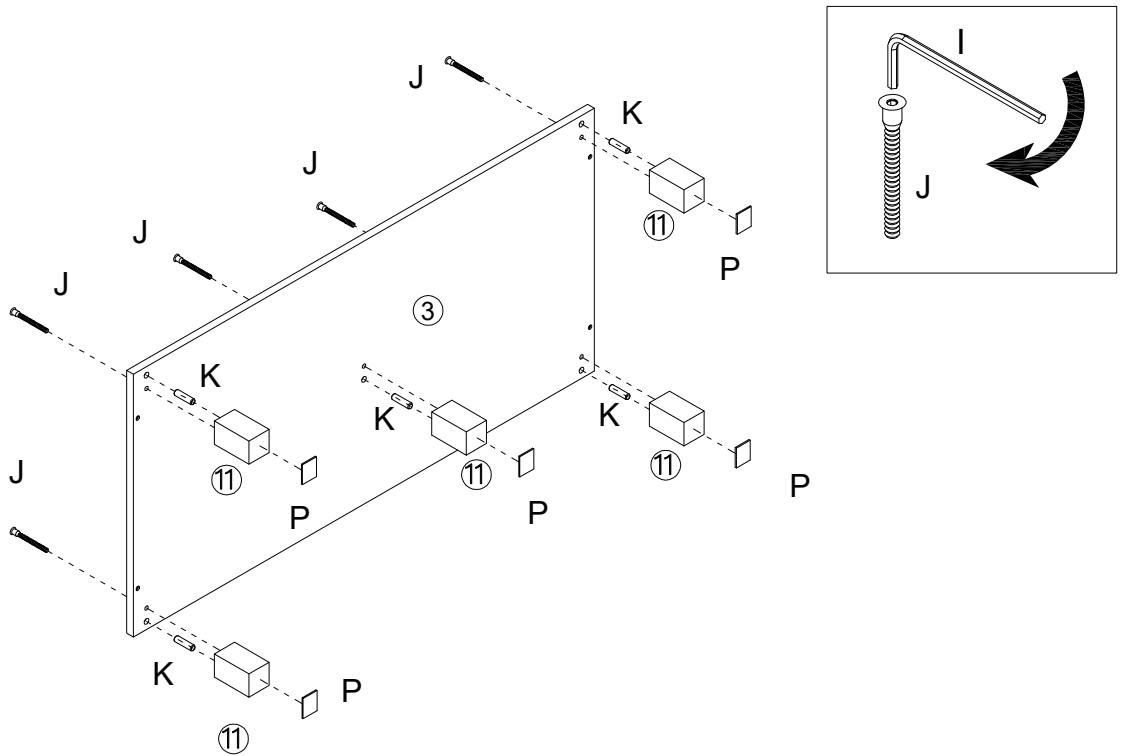
C -  x 6   D -  x 6

# STEP 3



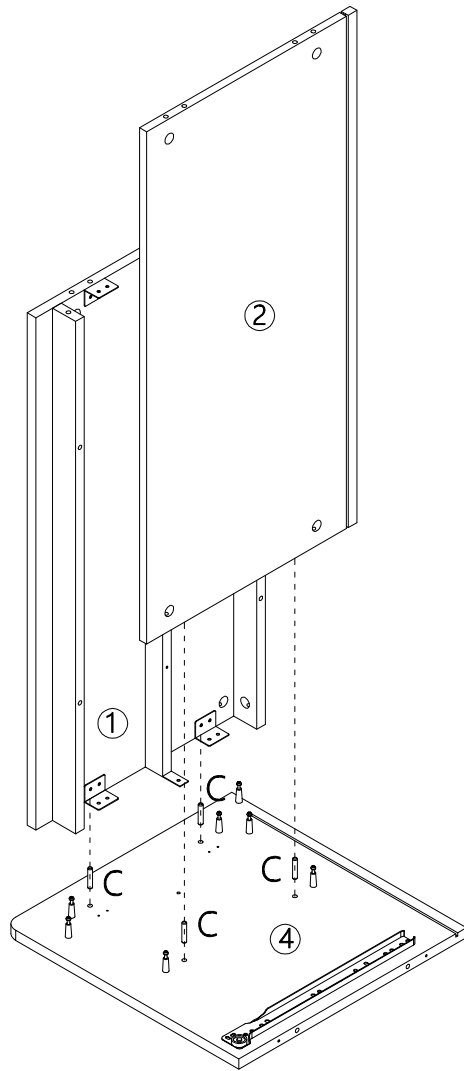
- L- x4
- M- x4
- N- x8


# STEP 4



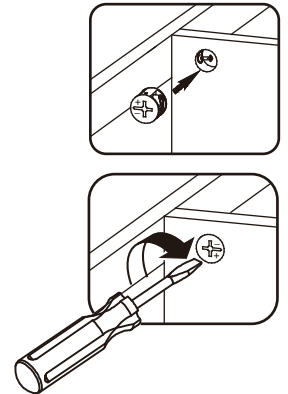
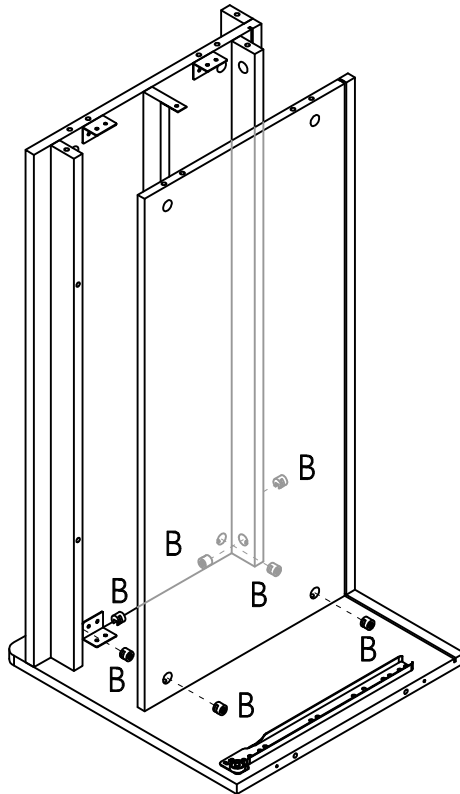
- I- x1
- J- x5
- K- x5
- P- x5


# STEP 5



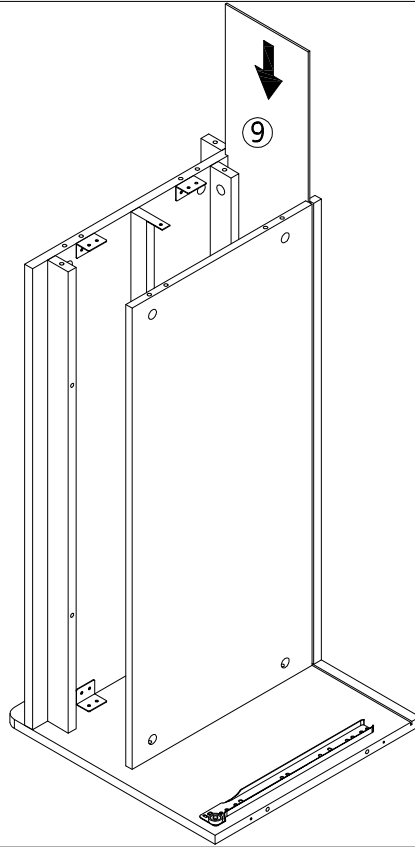
C -  x4

# STEP 6

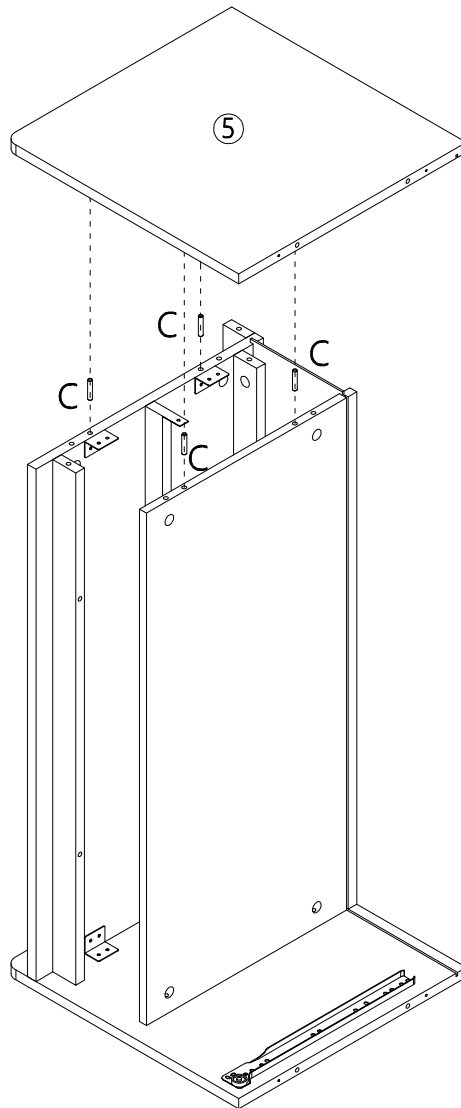



B -  x7

# STEP 7

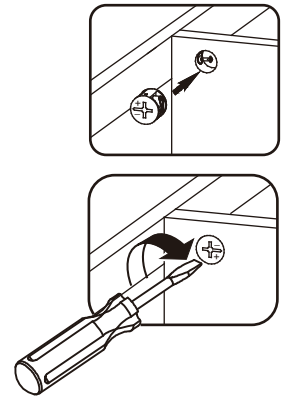
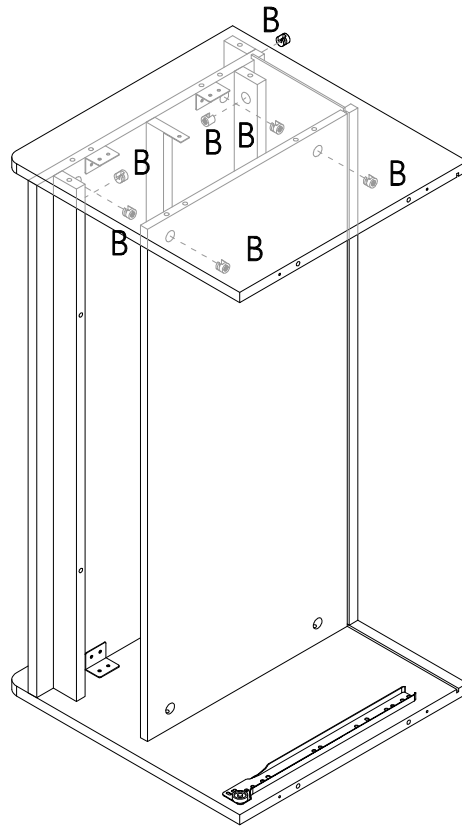


# STEP 8



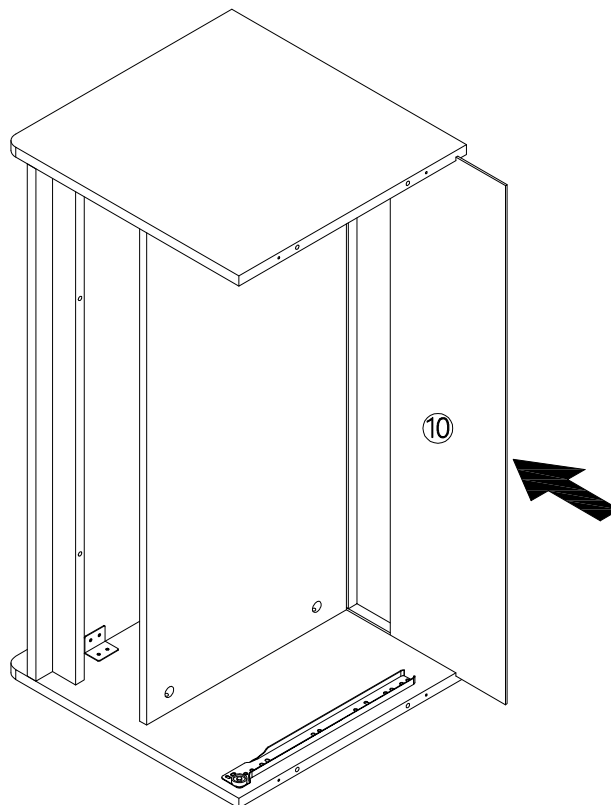
C -  x4

## STEP 9

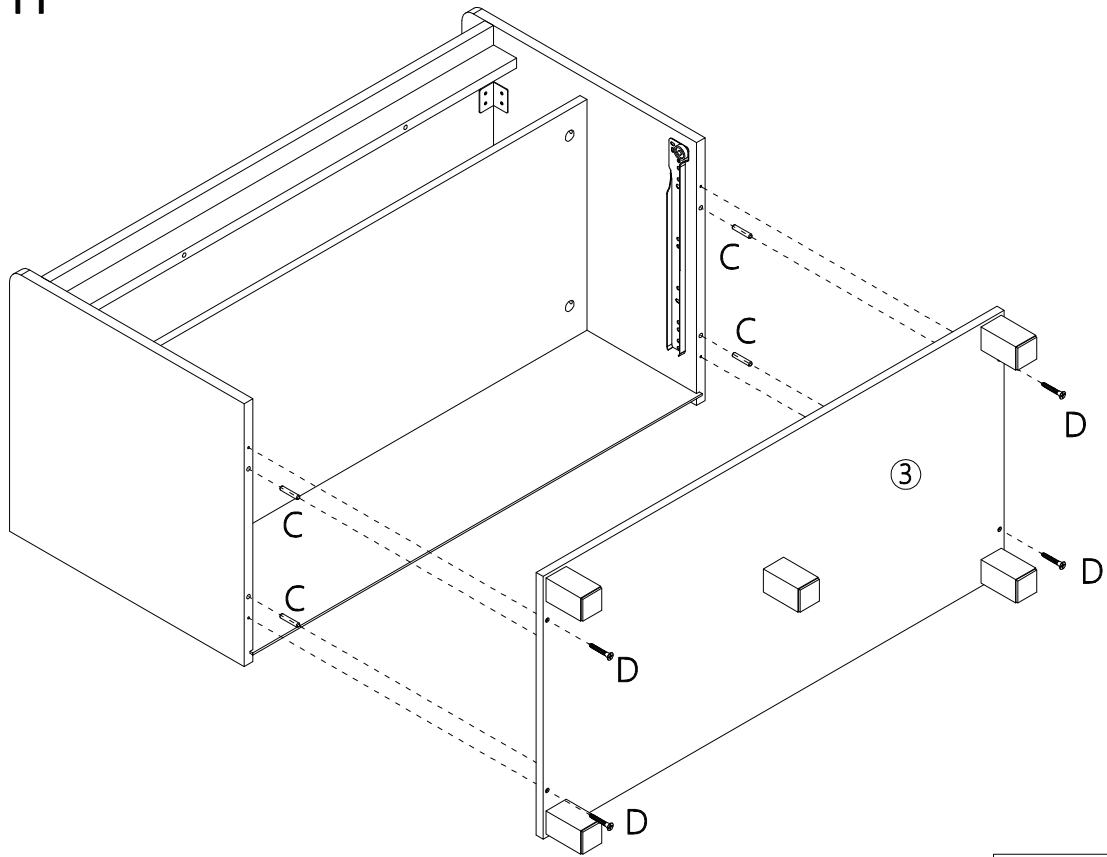


B -  x7

## STEP 10

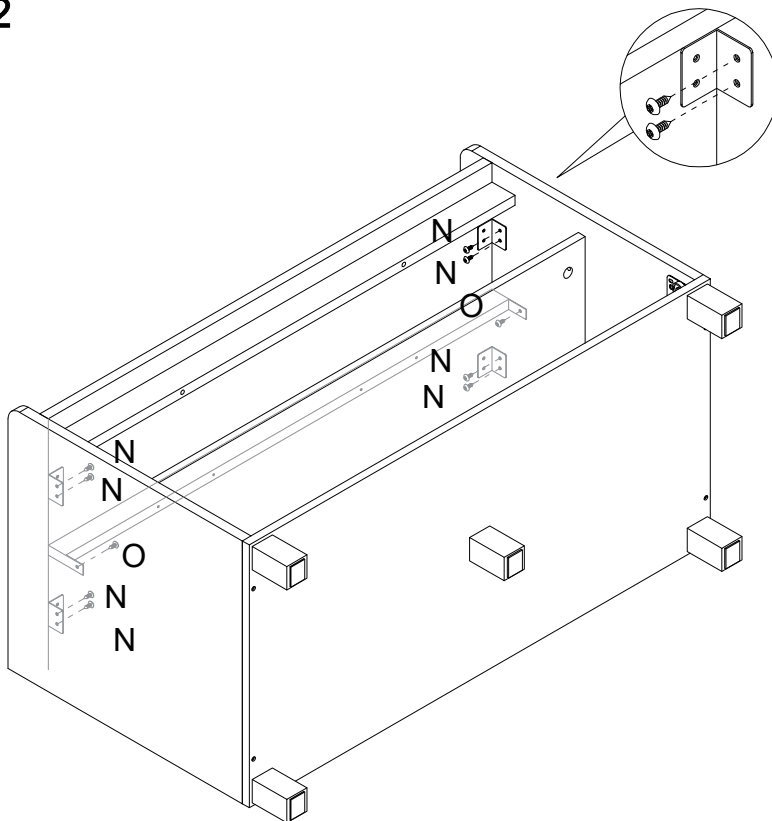



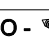
# STEP 11



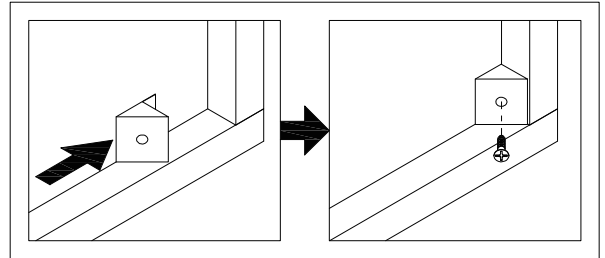
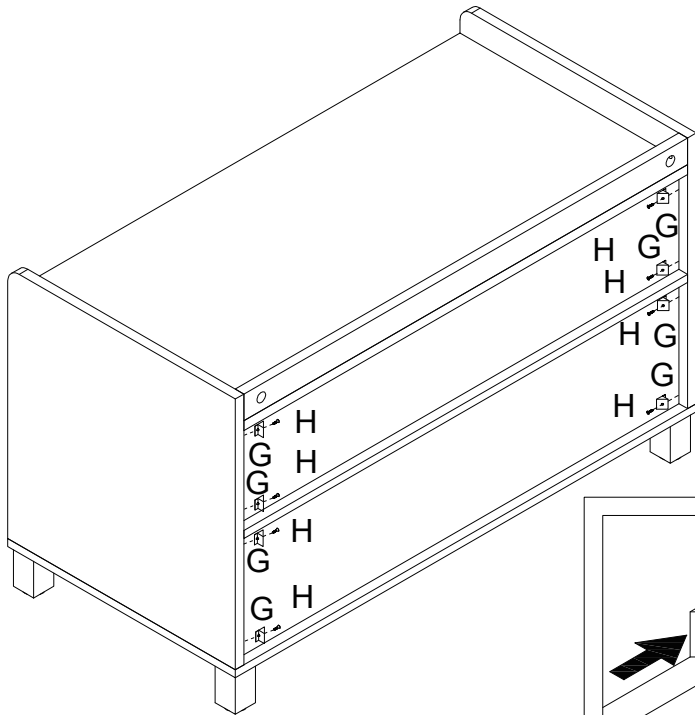
C -  x4    D -  x4

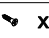
# STEP 12



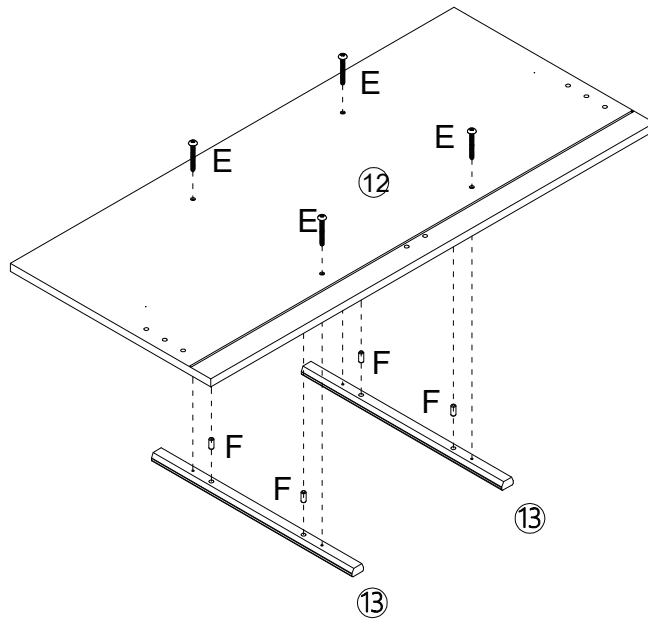
N -  x8    O -  x2

# STEP 13



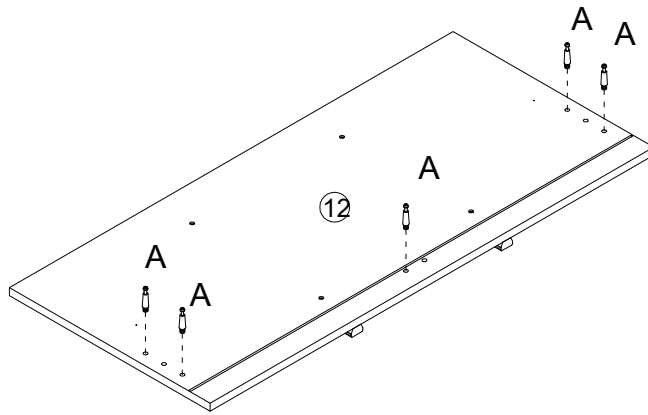
G -  x8 H -  x8

# STEP 14



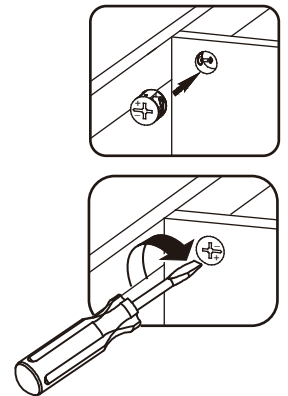
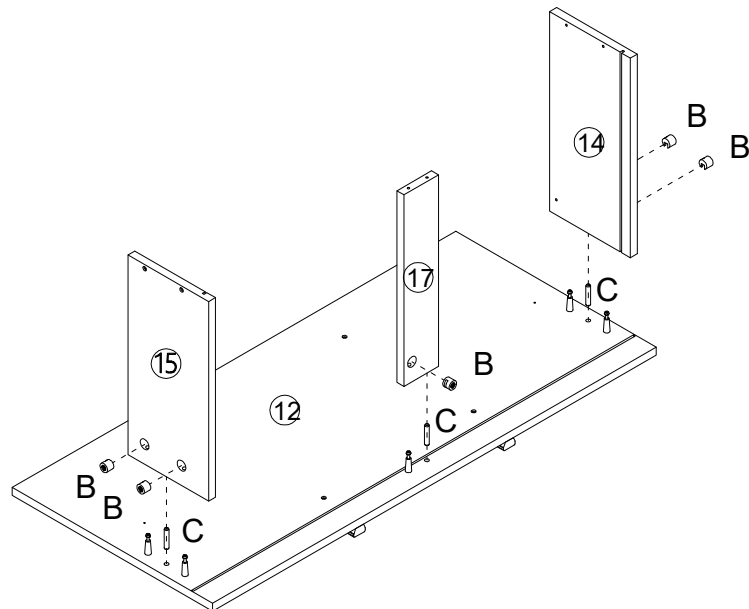
E -  x4 F -  x4



# STEP 15



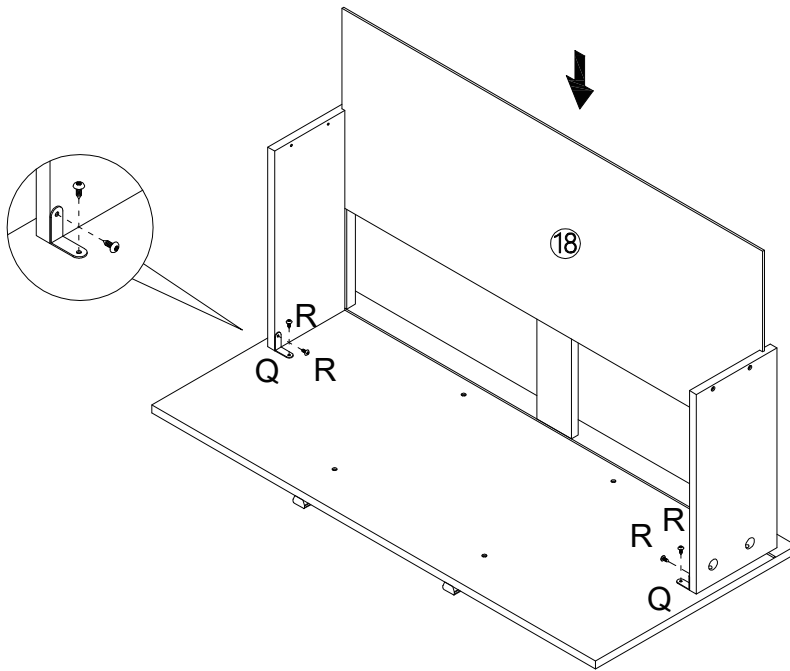
A -  x 5



# STEP 16



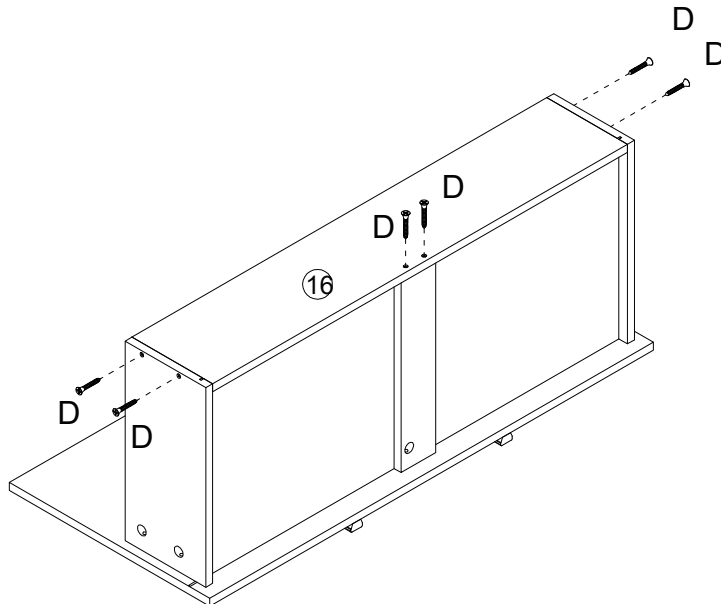
B -  x 5 | C -  x 3


# STEP 17



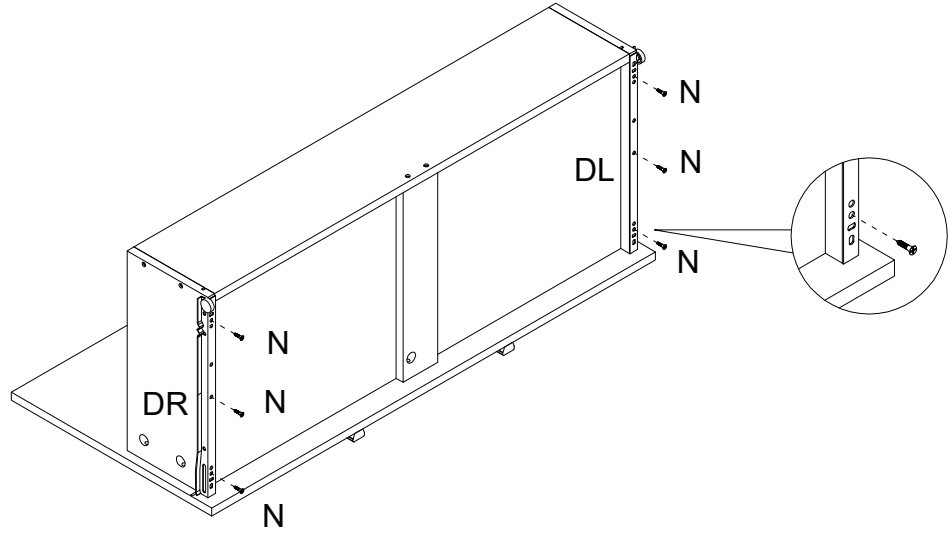
Q -  x2 R -  x4

# STEP 18



D -  x6

# STEP 19



N -  x 6 DL -  x 1 DR -  x 1

# STEP 20

