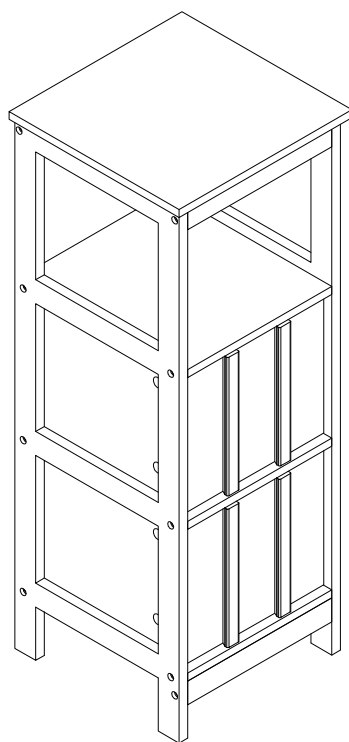


Willow 2 Drawer Unit

Instruction Manual



The photos and illustrations shown in this instruction manual are generic.
The manufacturer reserves the right to change any specification or feature without prior notice.

IMPORTANT: KEEP FOR FUTURE REFERENCE. READ CAREFULLY.

Assembly Instructions

K:43705474 | T:72593707 WILLOW 2 DRAWER UNIT

WARNING:

DO NOT STAND, SIT OR LEAN ON THIS UNIT.

DO NOT USE THIS UNIT AS A STEP LADDER OR AS A CHOPPING SURFACE.

KEEP AWAY FROM CHILDREN AND BABIES.

ADULT ASSEMBLY REQUIRED.

USE ONLY ON A FLAT SURFACE.

DO NOT USE THIS UNIT UNLESS ALL BOLTS AND SCREWS ARE FIRMLY SECURED.

CARE INSTRUCTIONS:

TO BE ASSEMBLED ON A CLEAN, DRY AND SMOOTH SURFACE.

WIPE CLEAN WITH A SOFT DAMP CLOTH.

NEVER USE SCOURERS, ABRASIVES OR CHEMICAL SOLVENTS.

CHECK AND TIGHTEN ALL PARTS REGULARLY.

KEEP AWAY FROM MOISTURE AND DIRECT SUNLIGHT.

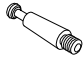

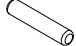










STORE IN A DRY PLACE.

FOR INDOOR AND DOMESTIC USE ONLY.

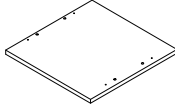
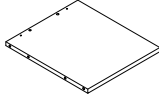
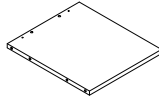
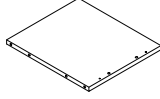
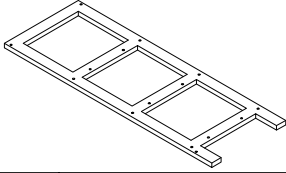
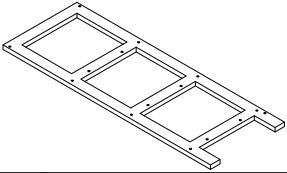
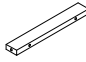
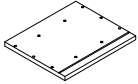

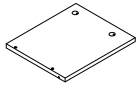
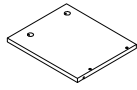
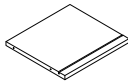
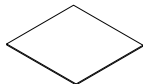

MAXIMUM SAFE LOAD:

5kg FOR TOP, 5kg FOR SHELF, 3kg EACH DRAWER.

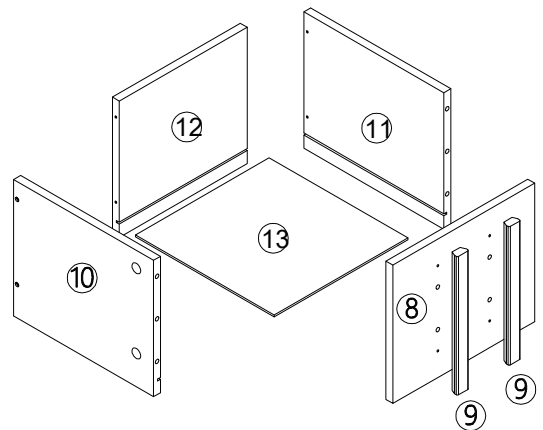
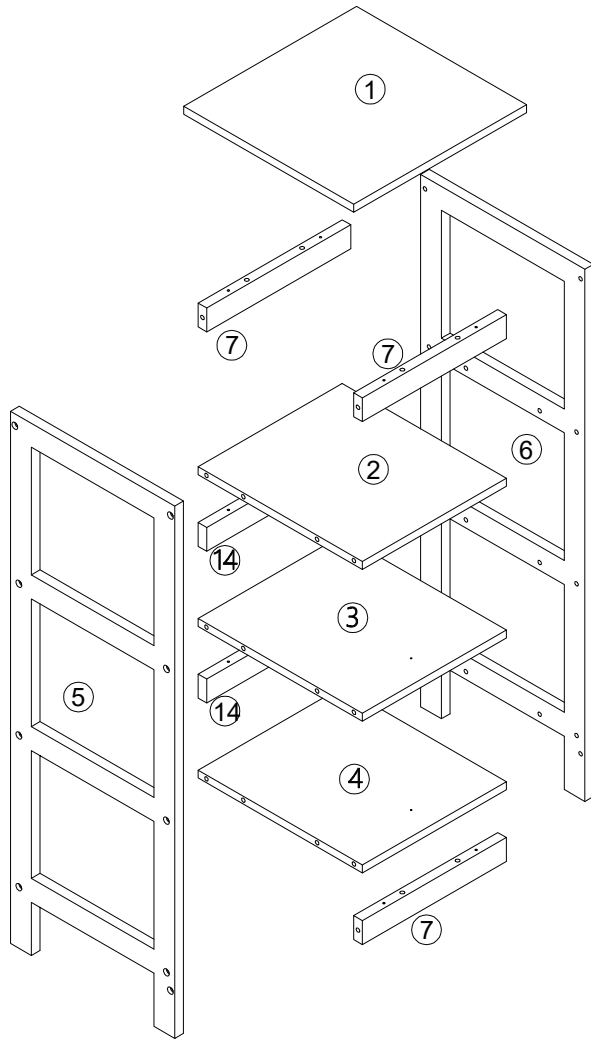
1 Hardware List

A		M6x35mm	8pcs	B		Ø15x9mm	8pcs	C		Ø6x30mm	26pcs	D		M4x35mm	18pcs
E			2pcs	F		M3x10mm	2pcs	G		M4x25mm	8pcs	H		Ø6x15mm	8pcs
I			1pcs	J		M7x40mm	18pcs	K			2pcs	L			2pcs
M			4pcs												

2 Parts List

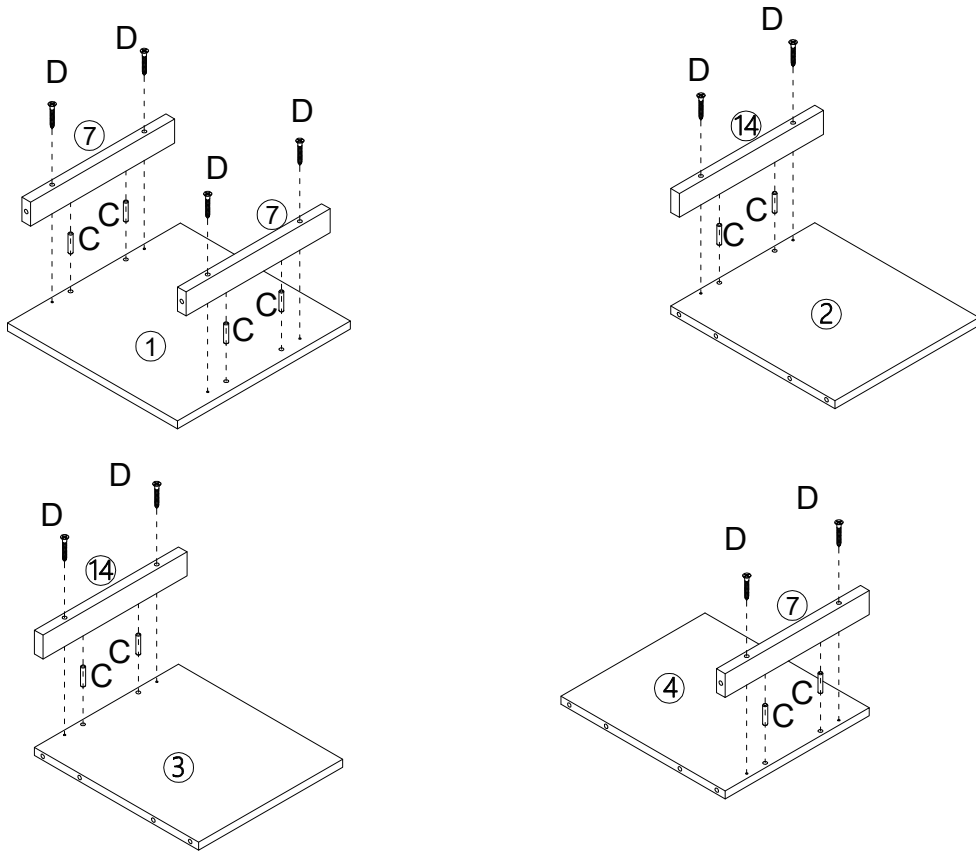
			
① 1PC	② 1PC	③ 1PC	④ 1PC
			
⑤ 1PC	⑥ 1PC	⑦ 3PCS	⑧ 2PCS
			
⑨ 4PCS	⑩ 2PCS	⑪ 2PCS	⑫ 2PCS
			
⑬ 2PCS	⑭ 2PCS		



PANEL LAYOUT



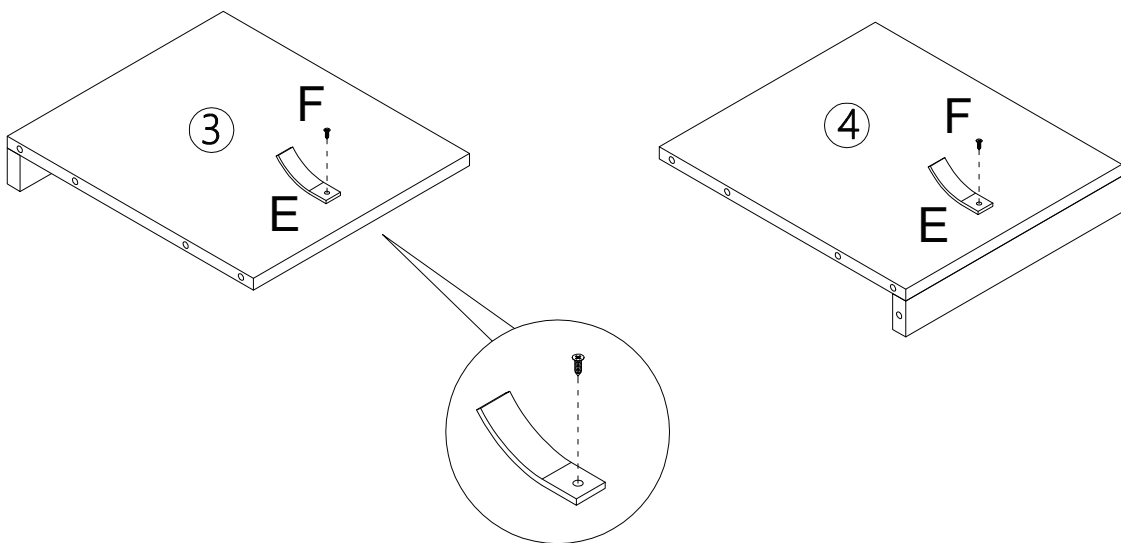
x 2

STEP 1



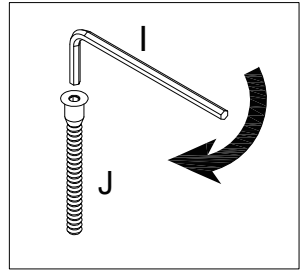
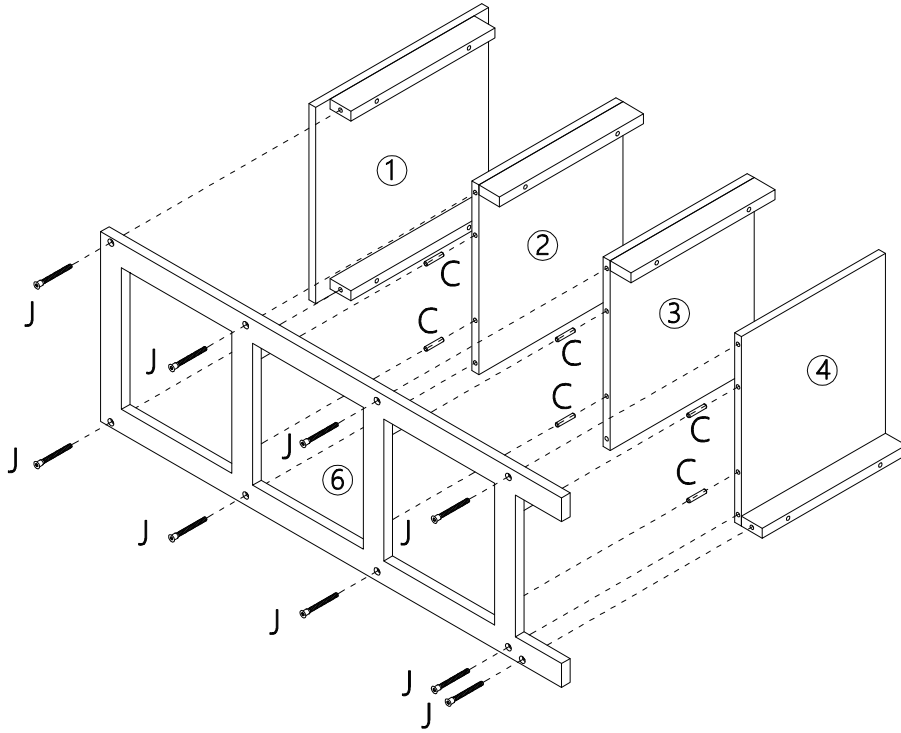
C-  x 10 | D-  x 10

STEP 2



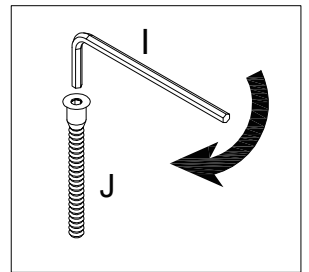
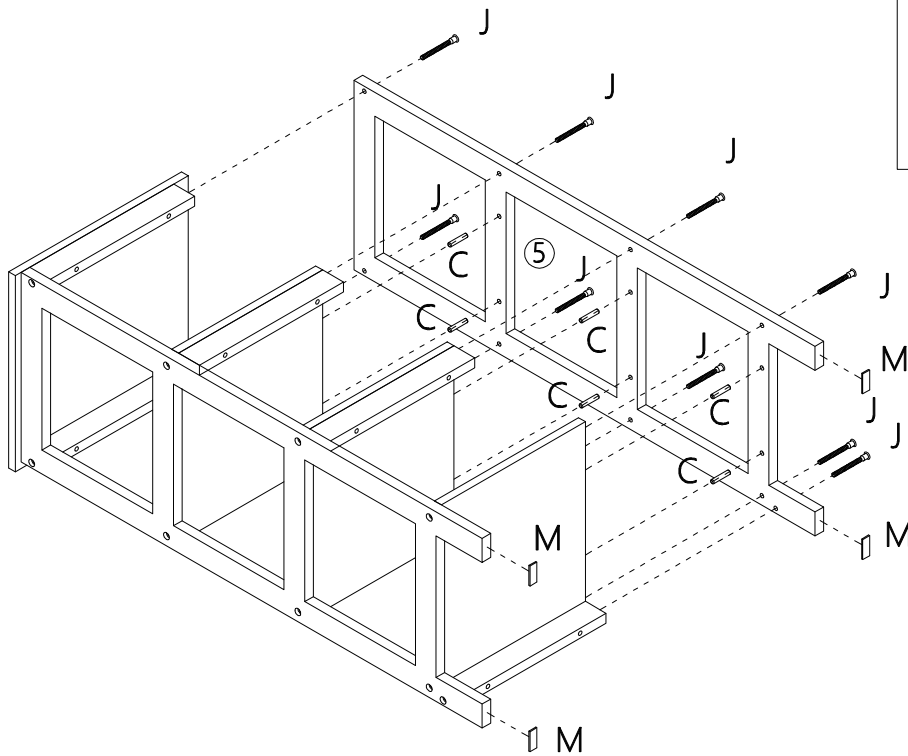
E-  x 2 | F-  x 2

STEP 3



C- x6 I- x1 J- x9

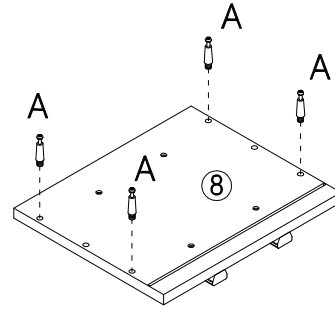
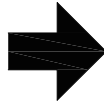
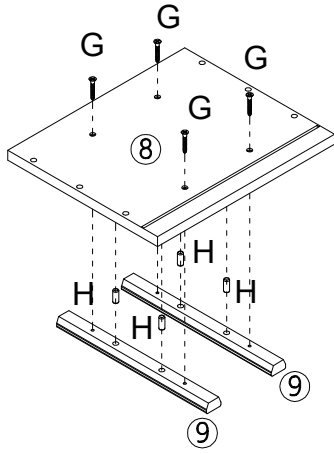
STEP 4



C- x6 I- x1 J- x9 M- x4

STEP 5

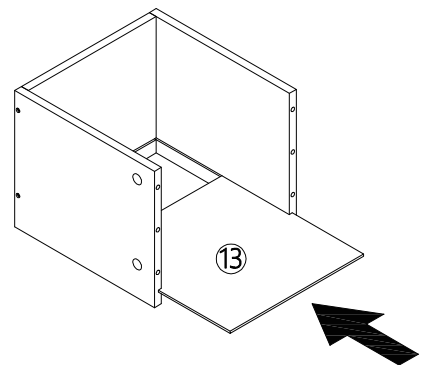
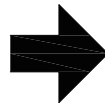
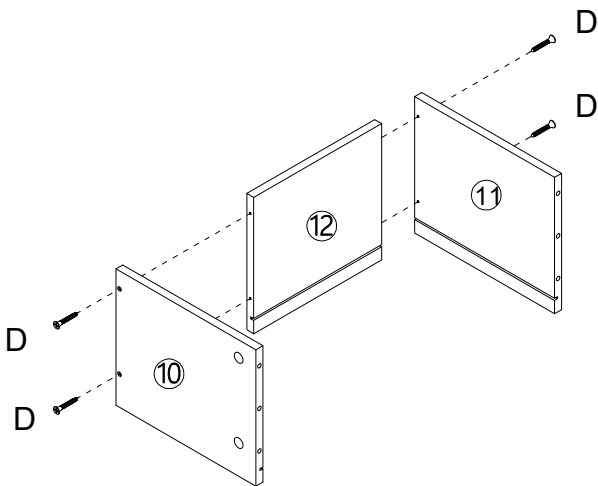
DRAWERS X 2



A -  x 8 G -  x 8 H -  x 8

STEP 6

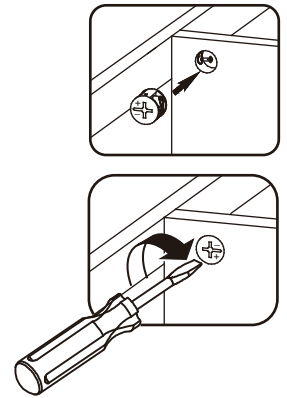
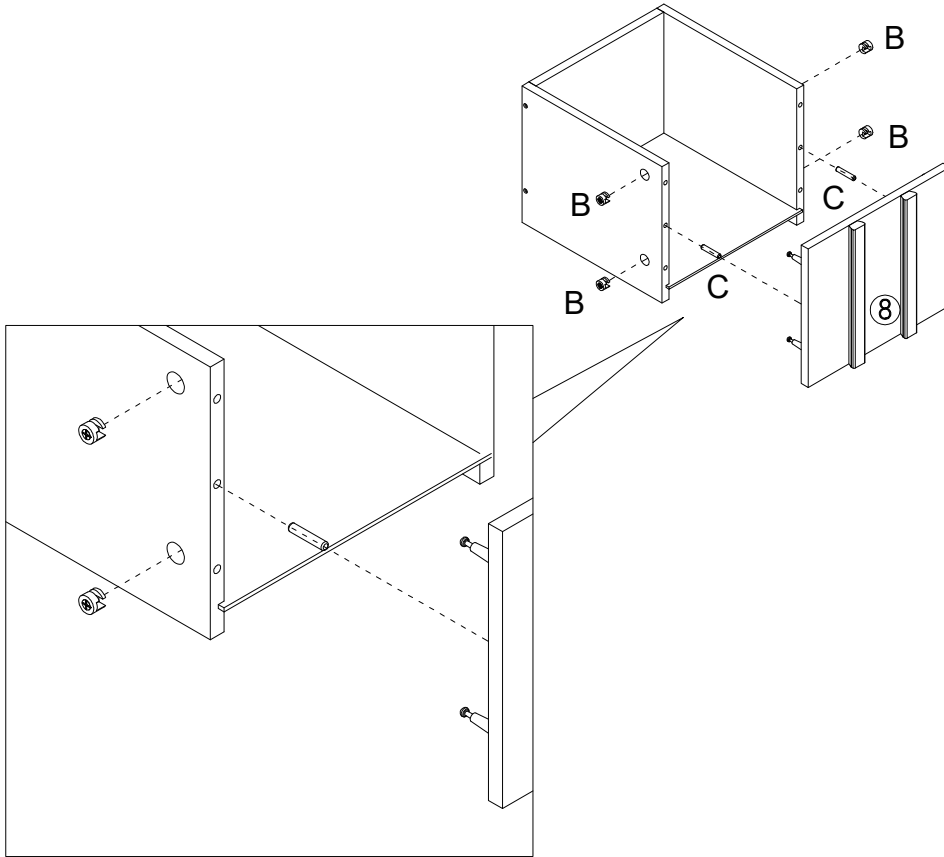
DRAWERS X 2



D -  x 8

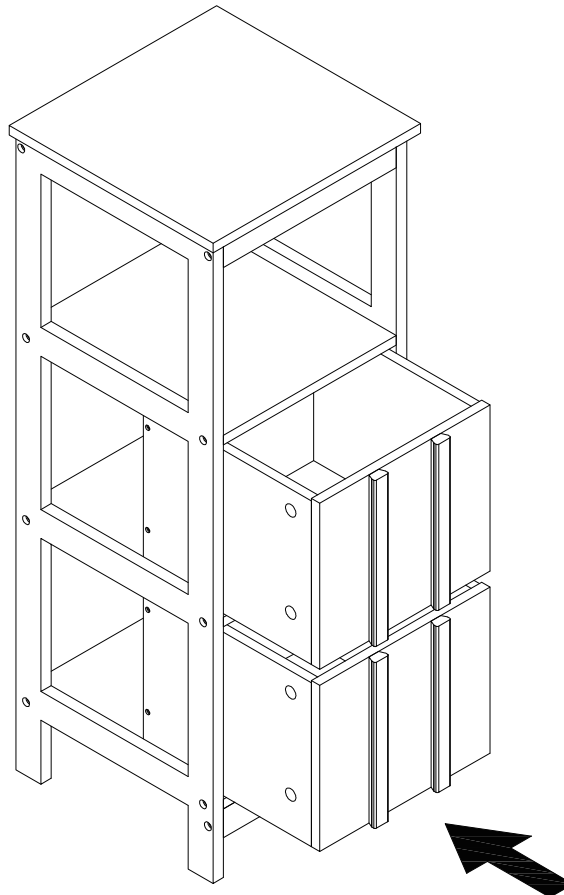
STEP 7

DRAWERS X 2

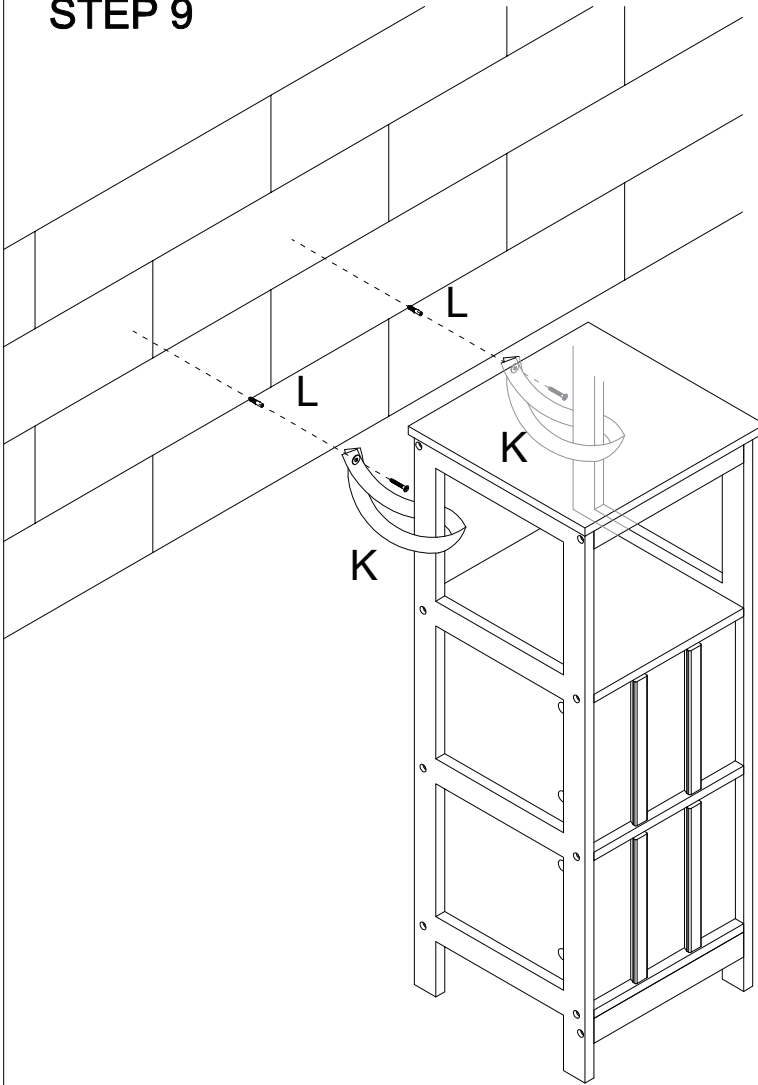


B - [screw icon] x8 C - [screw icon] x4

STEP 8



STEP 9



⚠ WARNING	
<p>Children have died from furniture tipover.</p> <ul style="list-style-type: none"> • ALWAYS secure it with an anchor device. • NEVER allow children to stand, climb or hang on drawers, doors, or shelves. • NEVER open more than one drawer at a time. • Place heavy items down low. 	
<p>NEVER put a TV on this furniture </p>	
<p>This is a permanent label. Do not remove!</p>	

TOPPLING FURNITURE WARNING:

- ALWAYS secure it with an anchor device.
- Please seek professional advice if you are in doubt of what fixing device to use.
- Regularly check that anchors are securely maintained.
- Use safety drawer locks to prevent children climbing.
- Stability of tall items may be affected by thick pile carpet or uneven floors .
- Do not place unanchored televisions on furniture .

CAUTION: for your safety when attaching the anchor fixings, please note the following:

- Check any electrical wires or plumbing inside the wall before drilling any holes (if you are unsure please seek professional advice from a qualified tradesperson).



WARNING: PLEASE SECURE YOUR FURNITURE WITH THE SUPPLIED WALL FIXING. SCAN THE CODE FOR MORE INFORMATION.



K x2 L x2