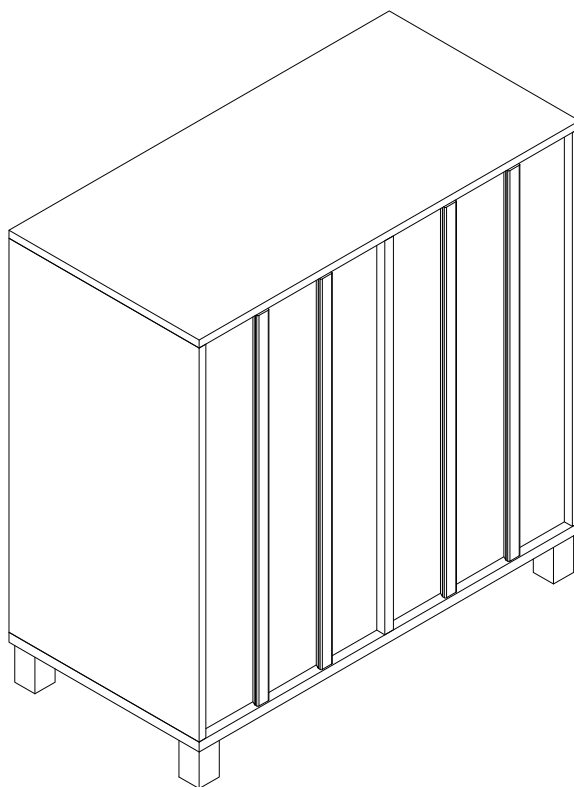


Willow Laundry Hamper Cabinet

Instruction Manual



The photos and illustrations shown in this instruction manual are generic.
The manufacturer reserves the right to change any specification or feature without prior notice.

IMPORTANT: KEEP FOR FUTURE REFERENCE. READ CAREFULLY

Assembly Instructions

K:43705375 | T: 72616987 WILLOW LAUNDRY HAMPER CABINET

WARNING:

DO NOT STAND, SIT OR LEAN ON THIS UNIT.

DO NOT USE THIS UNIT AS A STEP LADDER OR AS A CHOPPING SURFACE.

KEEP AWAY FROM CHILDREN AND BABIES.

ADULT ASSEMBLY REQUIRED.

USE ONLY ON A FLAT SURFACE.

DO NOT USE THIS UNIT UNLESS ALL BOLTS AND SCREWS ARE FIRMLY SECURED.

CARE INSTRUCTIONS:

TO BE ASSEMBLED ON A CLEAN, DRY AND SMOOTH SURFACE.

WIPE CLEAN WITH A SOFT DAMP CLOTH.

NEVER USE SCOURERS, ABRASIVES OR CHEMICAL SOLVENTS.

CHECK AND TIGHTEN ALL PARTS REGULARLY.

KEEP AWAY FROM MOISTURE AND DIRECT SUNLIGHT.

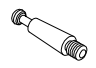

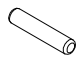












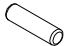

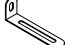


STORE IN A DRY PLACE.

FOR INDOOR AND DOMESTIC USE ONLY.

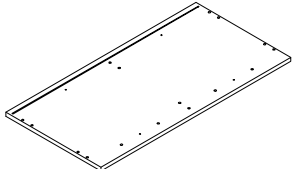
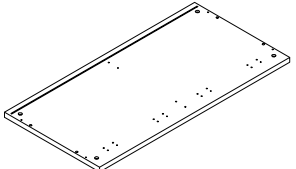
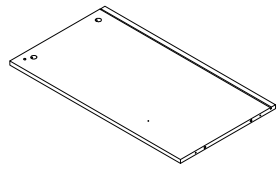
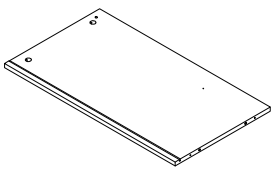
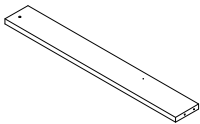
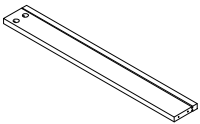
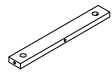
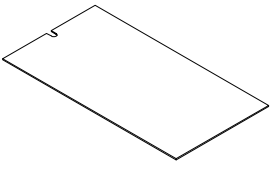

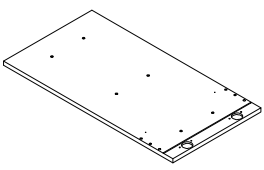
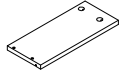
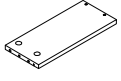
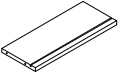
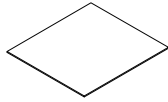

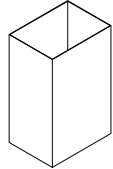
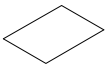
MAXIMUM SAFE LOAD:

TOP PANEL: 10kg EACH CLOTH BAG: 7kg

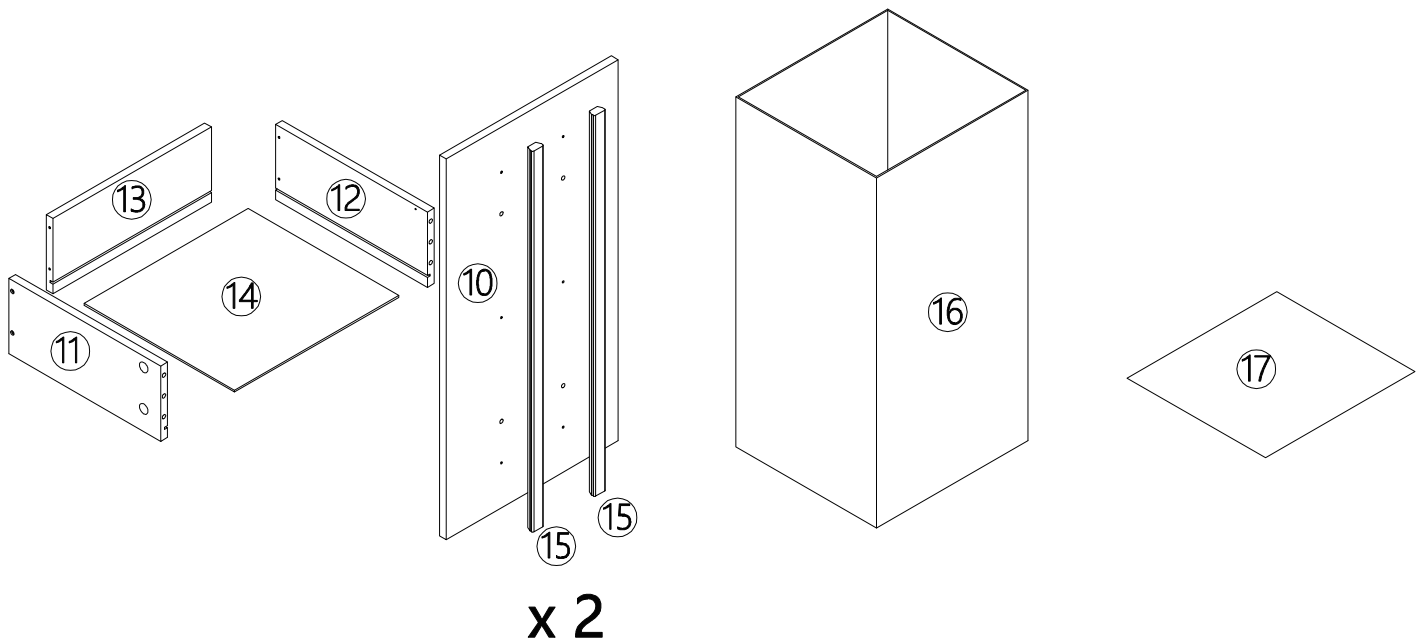
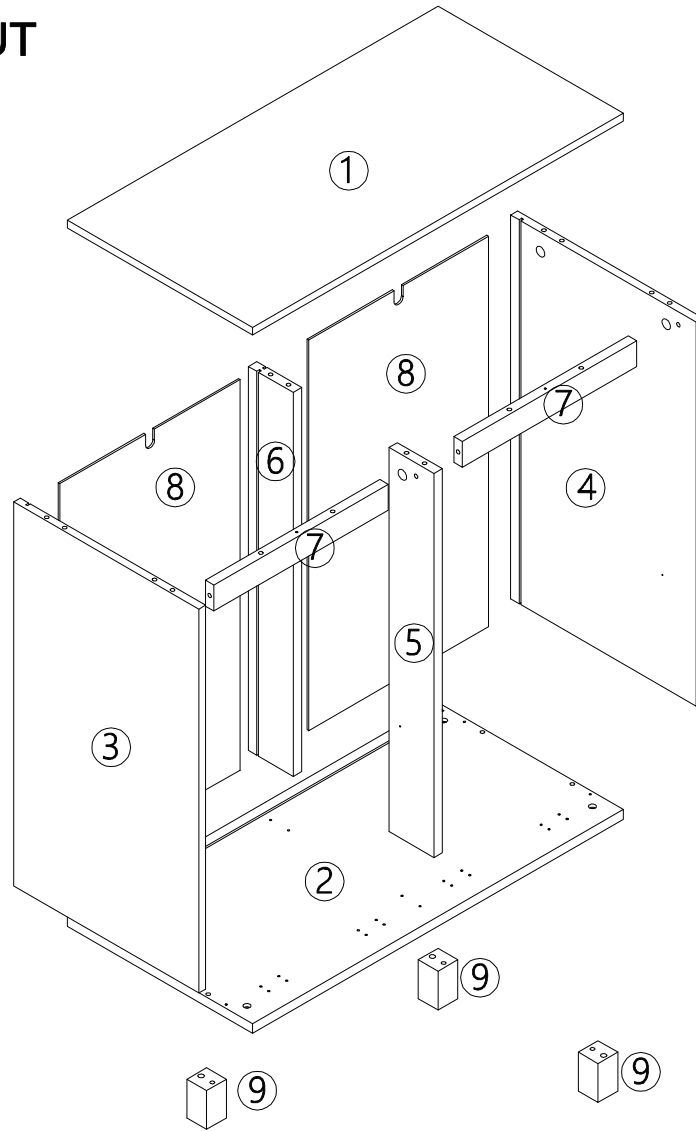
1 Hardware List

A		M6x35mm	19pcs	B		Ø15x9mm	19pcs	C		Ø6x30mm	19pcs	D		M4x35mm	18pcs
E			4pcs	F		M4x12mm	24pcs	G			8pcs	H		M3x16mm	8pcs
I			4pcs	J			4pcs	K		M3x12mm	8pcs	L			4pcs
M		M4x16mm	4pcs	N			1pcs	O		M7x40mm	4pcs	P		Ø8x30mm	4pcs
Q		M4x25mm	12pcs	R		Ø6x15mm	8pcs	S			2pcs	T		M4x12mm	2pcs
U			2pcs												

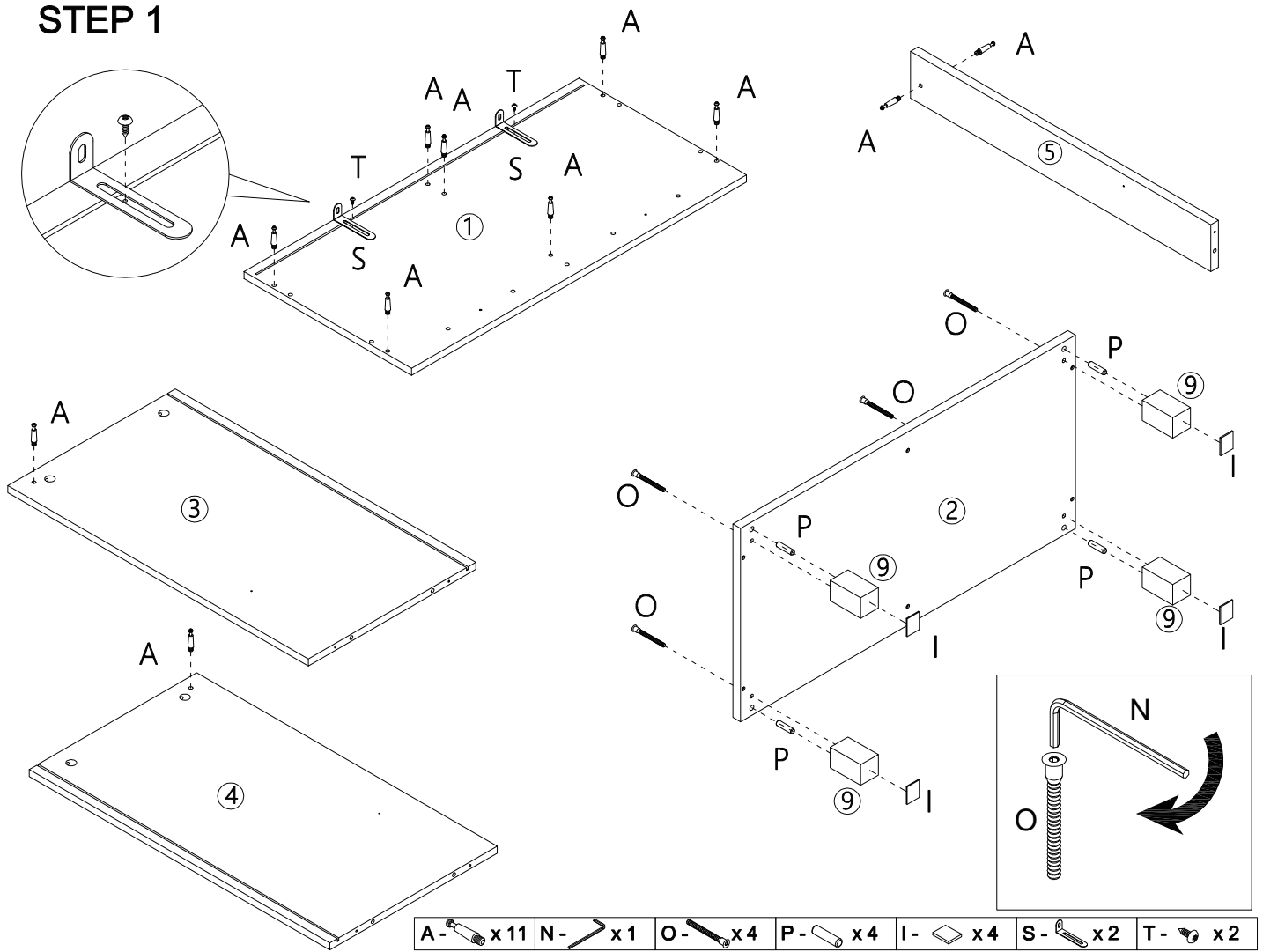
2 Parts List

	1PC		1PC		1PC		1PC
	1PC		1PC		2PCS		2PCS
	4PCS		2PCS		2PCS		2PCS
	2PCS		2PCS		4PCS		2PCS
	2PCS						

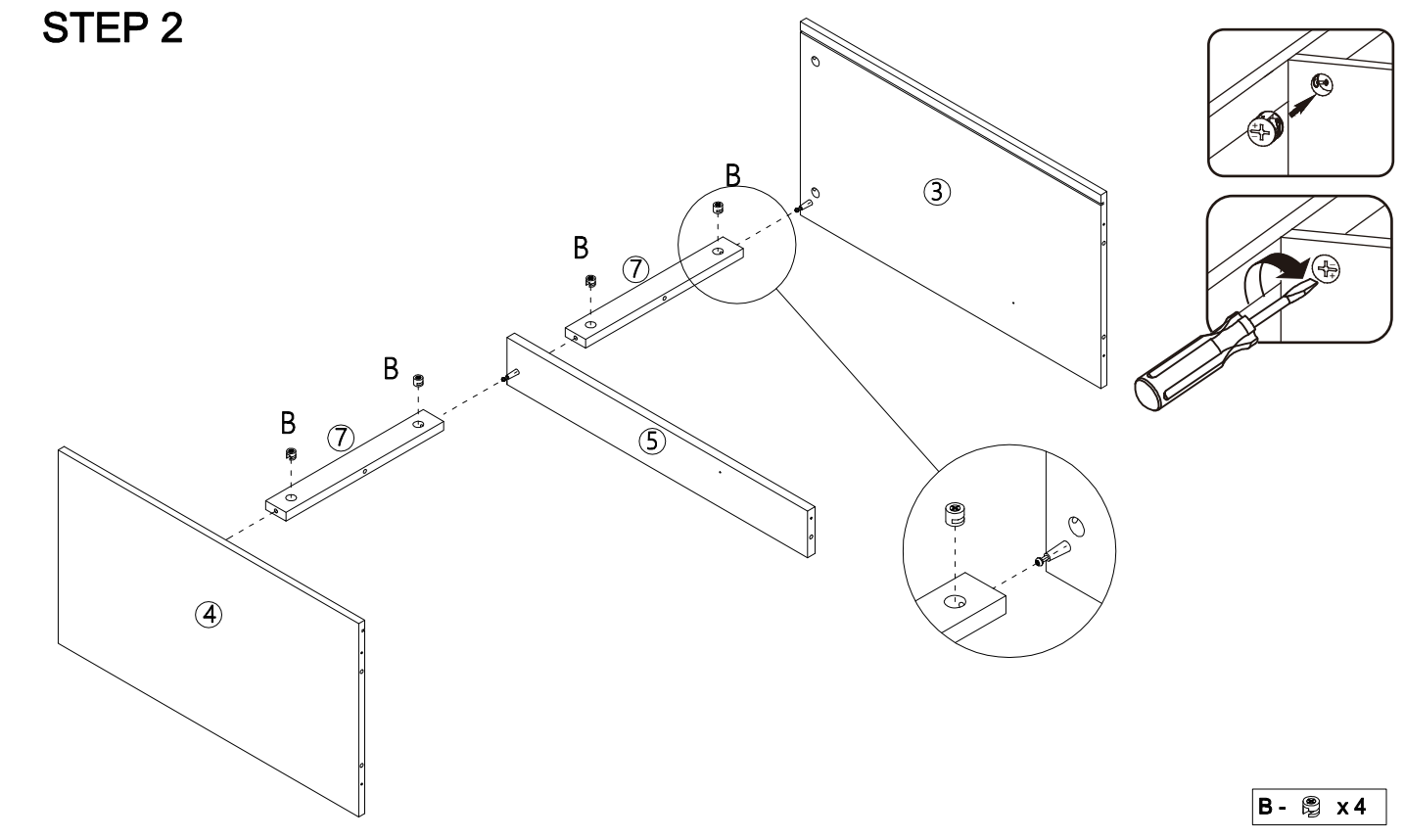
PANEL LAYOUT



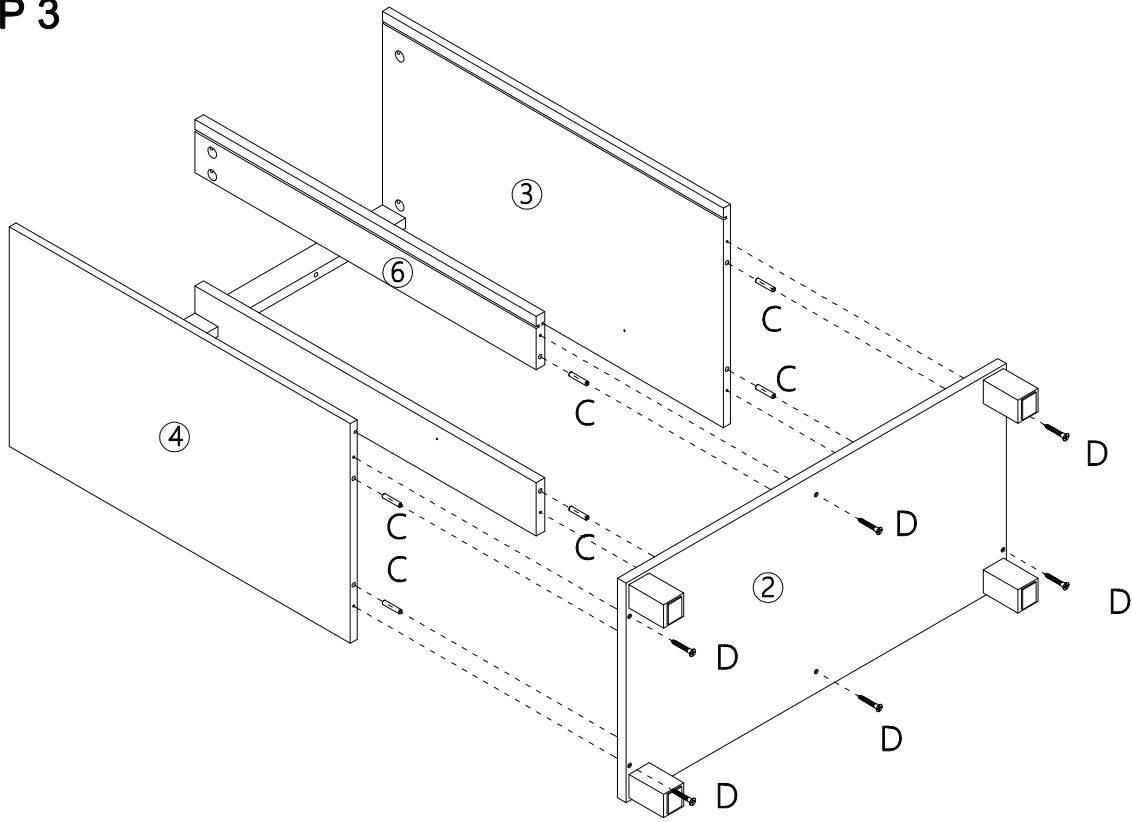
STEP 1





STEP 2

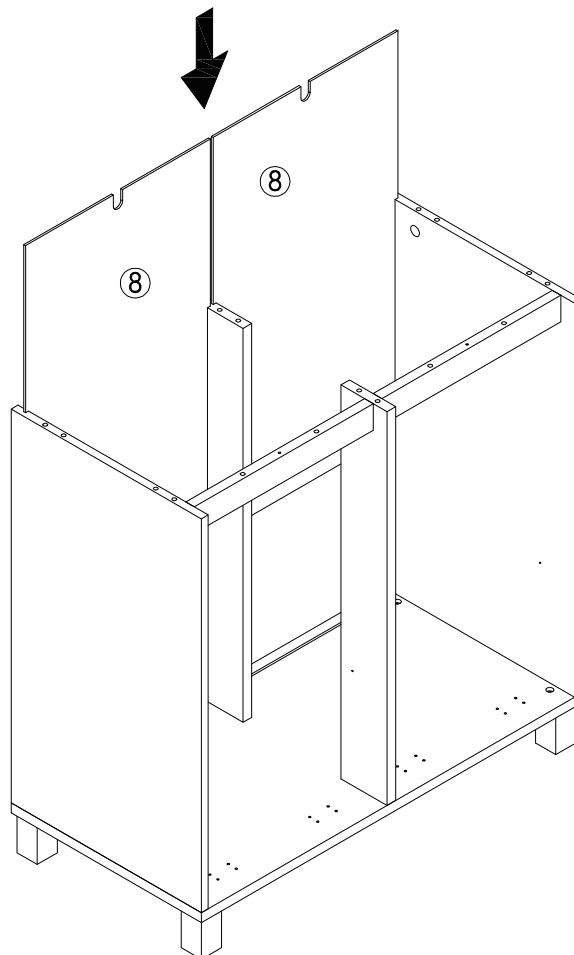


STEP 3



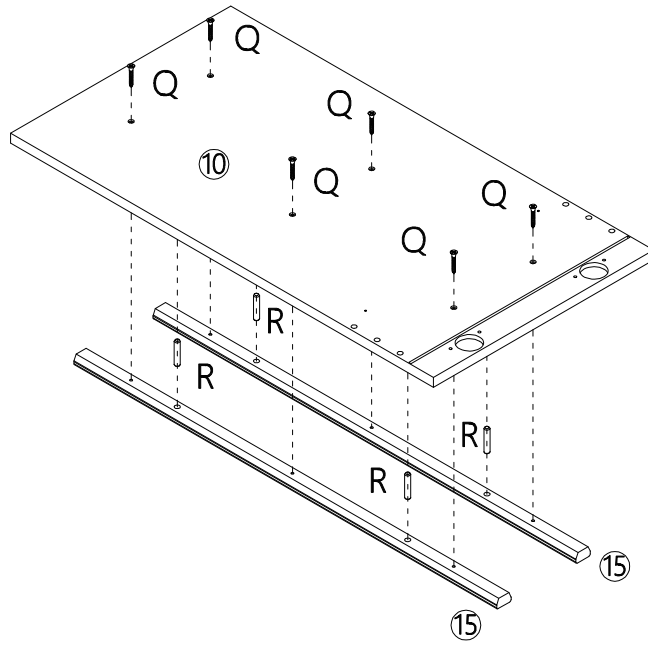
C -  x6 D -  x6



STEP 4



STEP 5

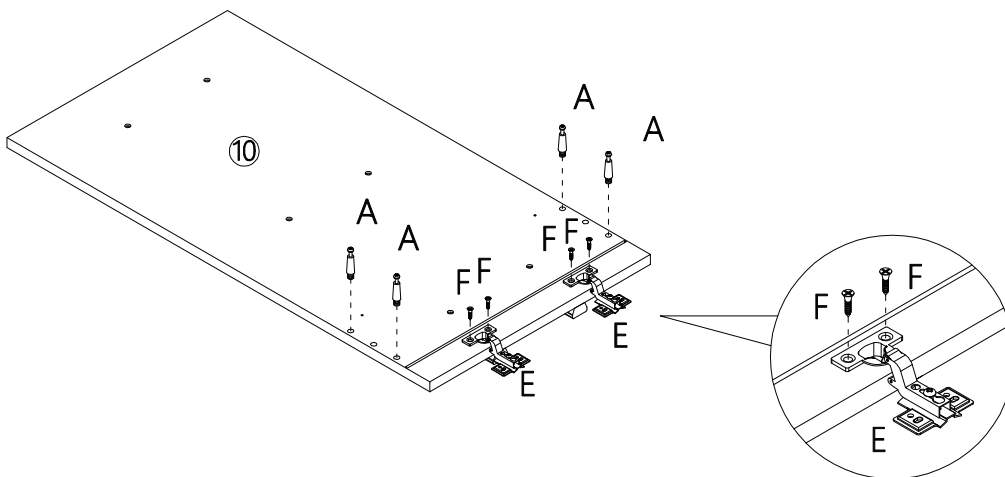
X 2



Q -  x 12 R -  x 8

STEP 6

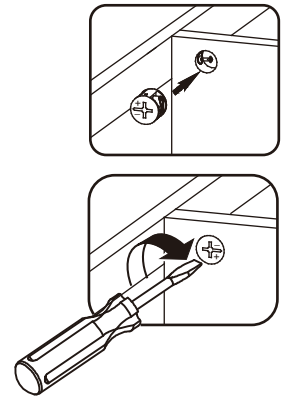
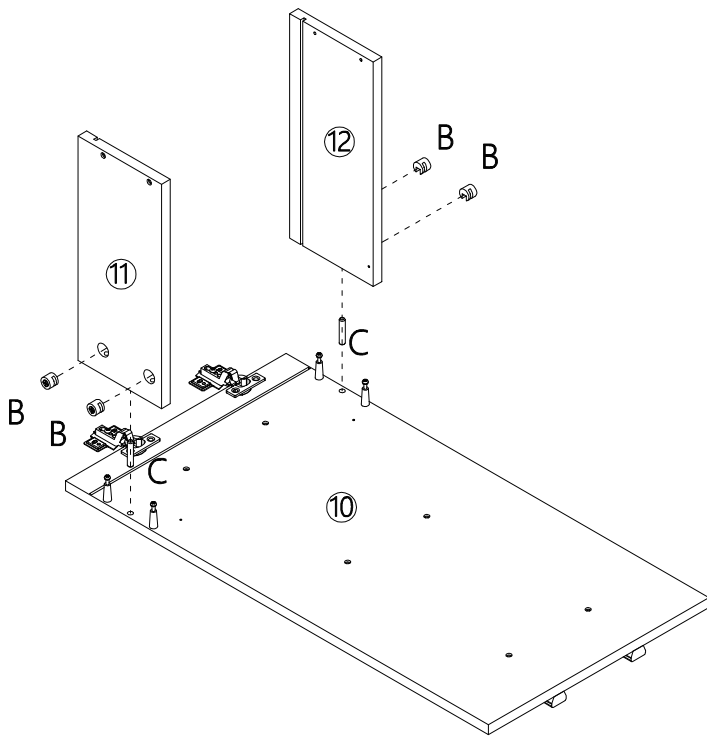
X 2





A -  x 8 E -  x 4 F -  x 8

STEP 7

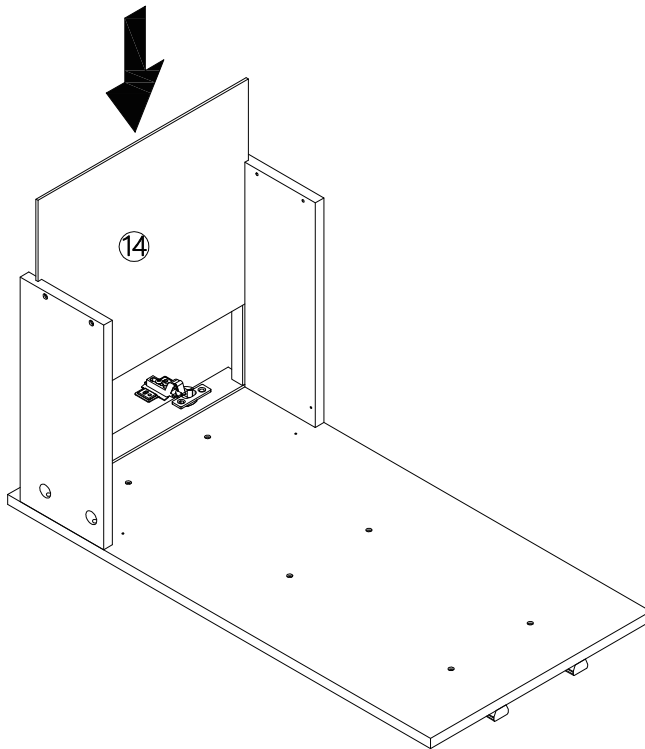
X 2



B -  x 8 C -  x 4

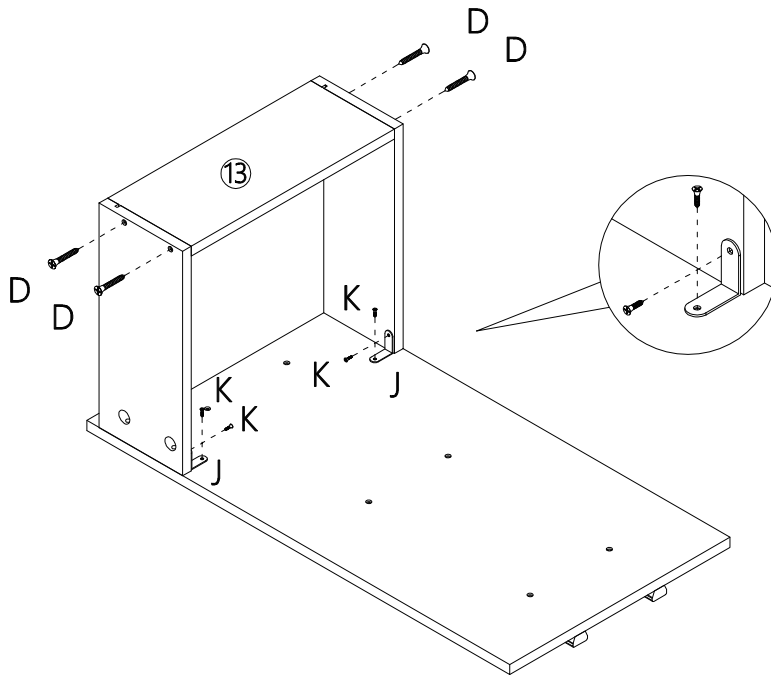
STEP 8

X 2



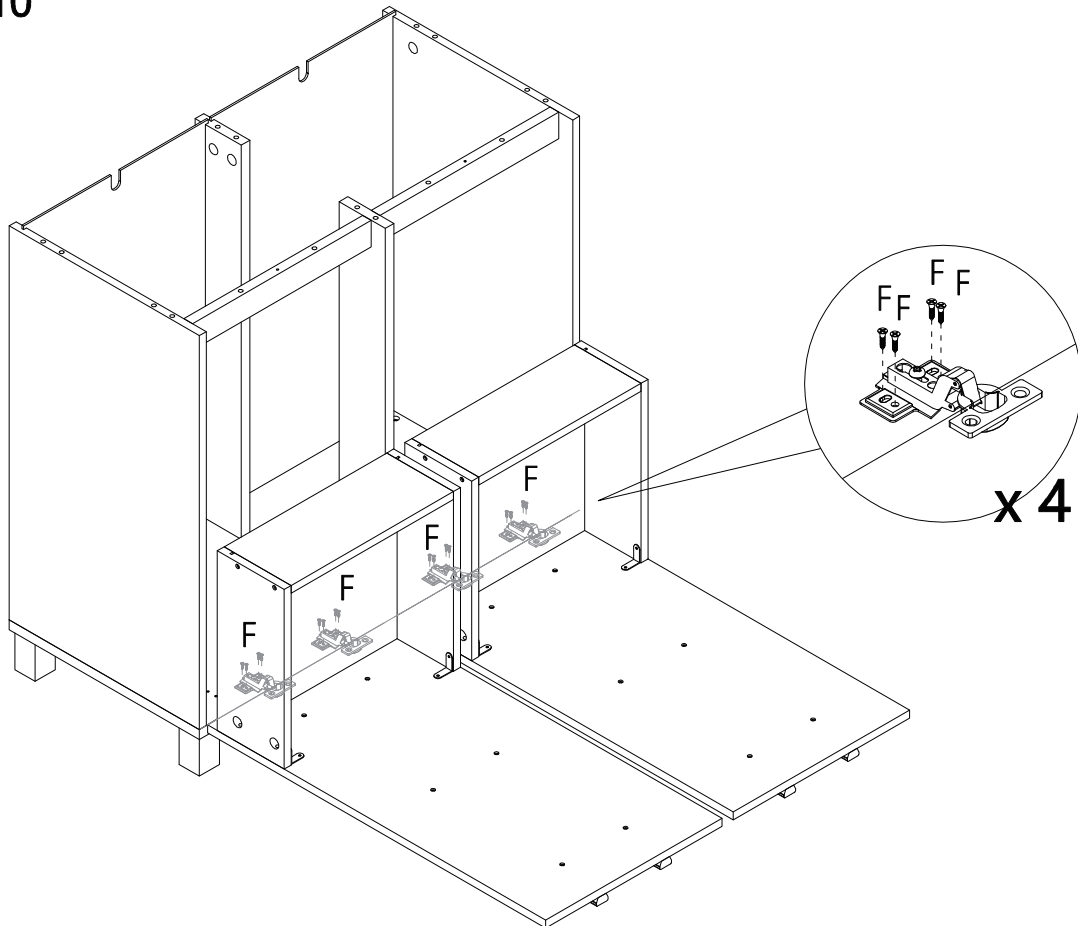
STEP 9


X 2



D -  x 8 J -  x 4 K -  x 8

STEP 10



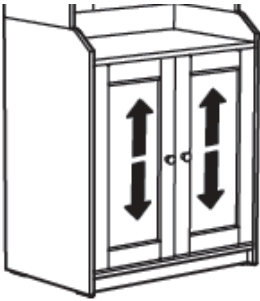
F -  x 16

STEP 11

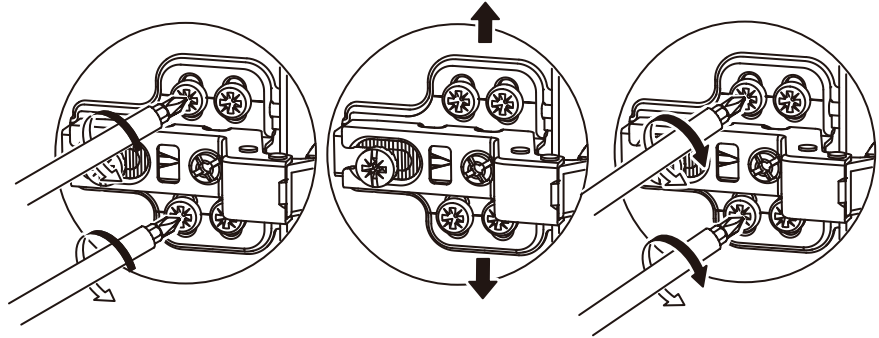
Hinger Adjustment Tips

Hinge Adjustment Tips: The door might scrape, bump or be misaligned after first assembly.

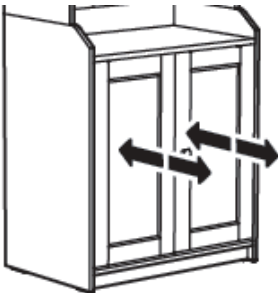
Please follow the below tips:



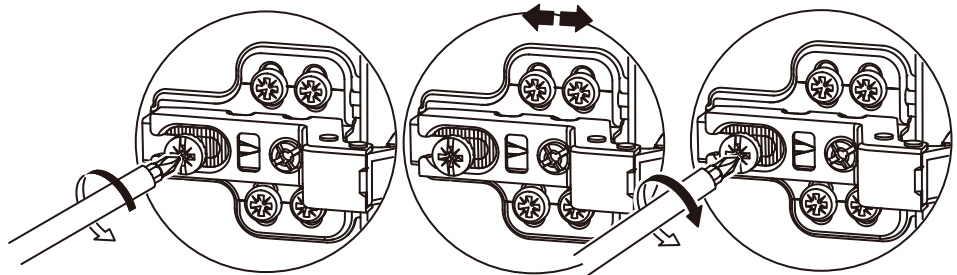
Adjust the door up and down



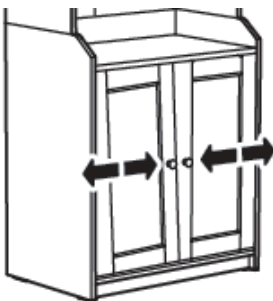
1. Loosen the two mounting screws on both hinges, but only slightly. ...
2. Gently close the cabinet door.
3. With the door still closed, adjust the cabinet door to the desired height.
4. Open the cabinet door again, being careful not to jostle the door out of position.
5. Retighten the screws by hand.



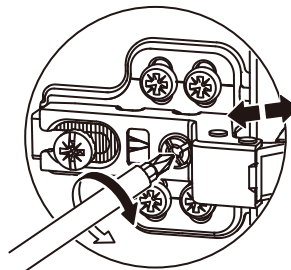
Move the door in and out



If the door doesn't meet the box at the top, adjust the top hinge toward the cabinet and/or adjust the bottom hinge away from the cabinet. If the door is gapped at the bottom, do the reverse.

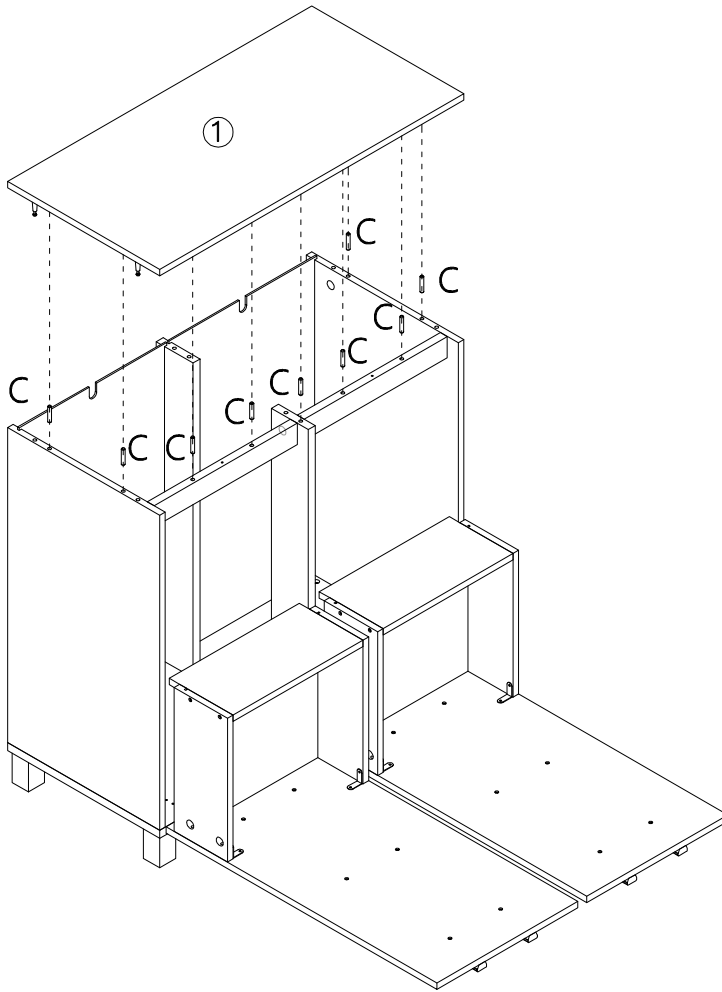


Move the door right or left



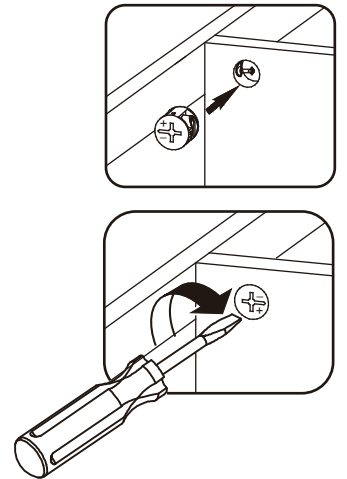
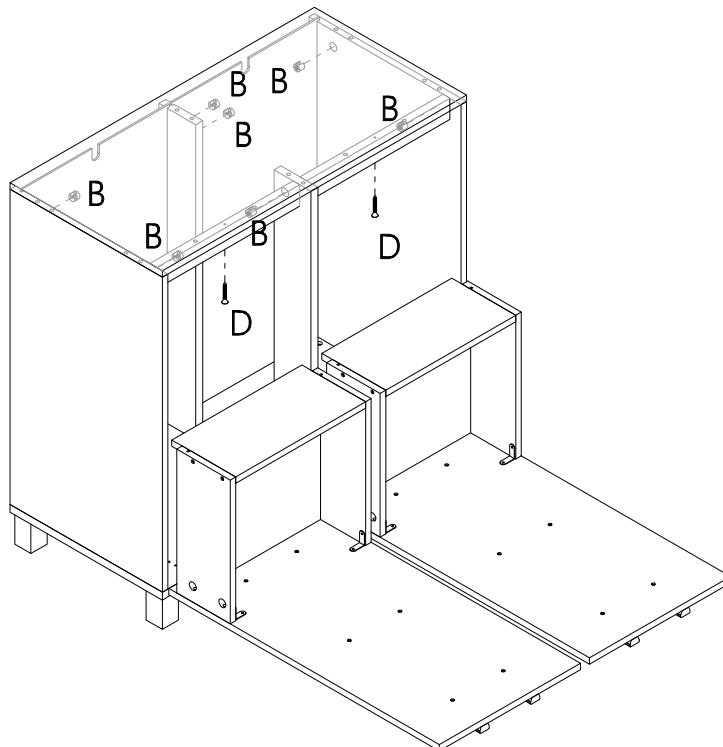
You can adjust one or both hinges on each door, depending on how much correction it needs. If the door seems to be tilting down to the right, turn the side-to-side screw on the top hinge so the hinge pulls closer to the side of the cabinet box, moving the top of the door to the left.

STEP 12



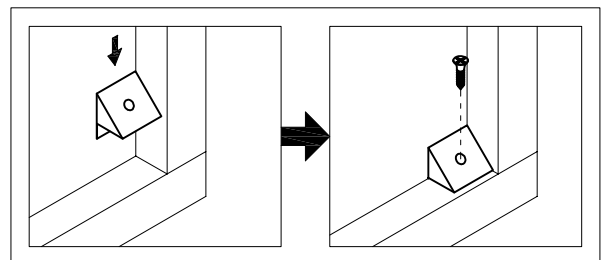
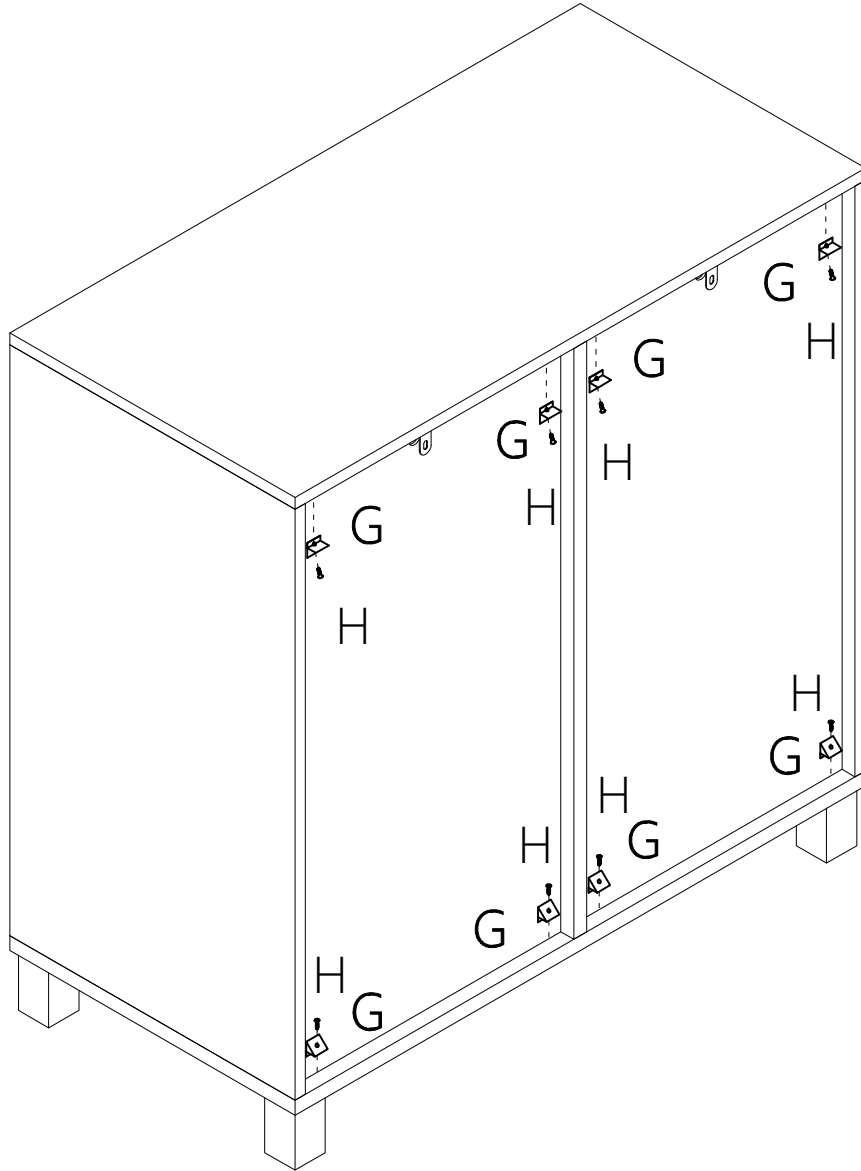
C -  x9


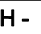
STEP 13



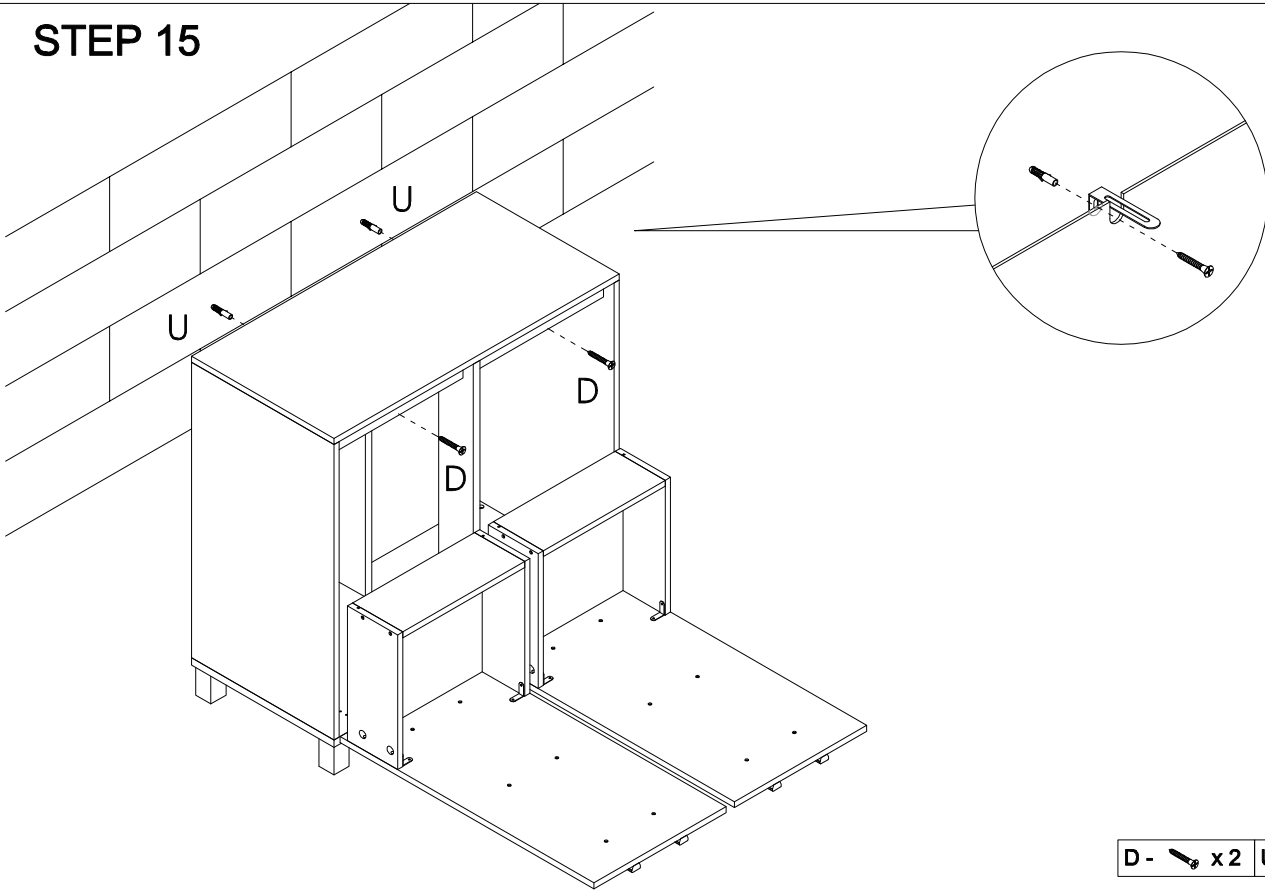
B -  x7 D -  x2



STEP 14



G -  x8 H -  x8

STEP 15



D -  x2 U -  x2

TOPPLING FURNITURE WARNING:

- ALWAYS secure it with an anchor device.
- Please seek professional advice if you are in doubt of what fixing device to use.
- Regularly check that anchors are securely maintained.
- Use safety drawer locks to prevent children climbing.
- Stability of tall items may be affected by thick pile carpet or uneven floors .
- Do not place unanchored televisions on furniture .

CAUTION: for your safety when attaching the anchor fixings, please note the following:

- Check any electrical wires or plumbing inside the wall before drilling any holes (if you are unsure please seek professional advice from a qualified tradesperson).

⚠ WARNING




Children have died from furniture tipover.

- ALWAYS secure it with an anchor device.
- NEVER allow children to stand, climb or hang on drawers, doors, or shelves.
- NEVER open more than one drawer at a time.
- Place heavy items down low.

NEVER put a TV on this furniture 

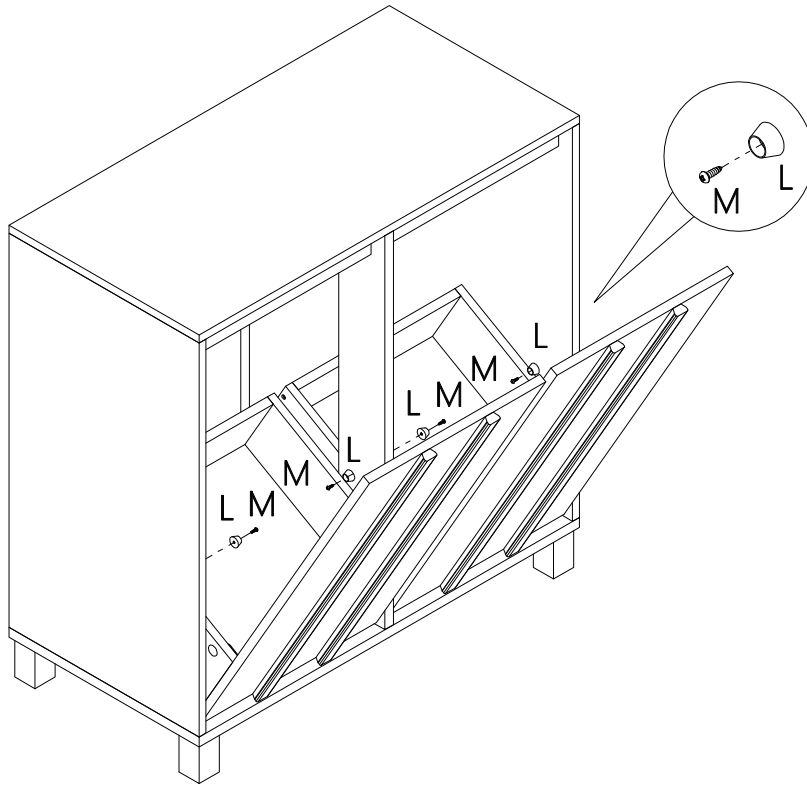
This is a permanent label. Do not remove!





WARNING: PLEASE SECURE YOUR FURNITURE WITH THE SUPPLIED WALL FIXING. SCAN THE CODE FOR MORE INFORMATION.



STEP 16



L -  x4 M -  x4

STEP 17

