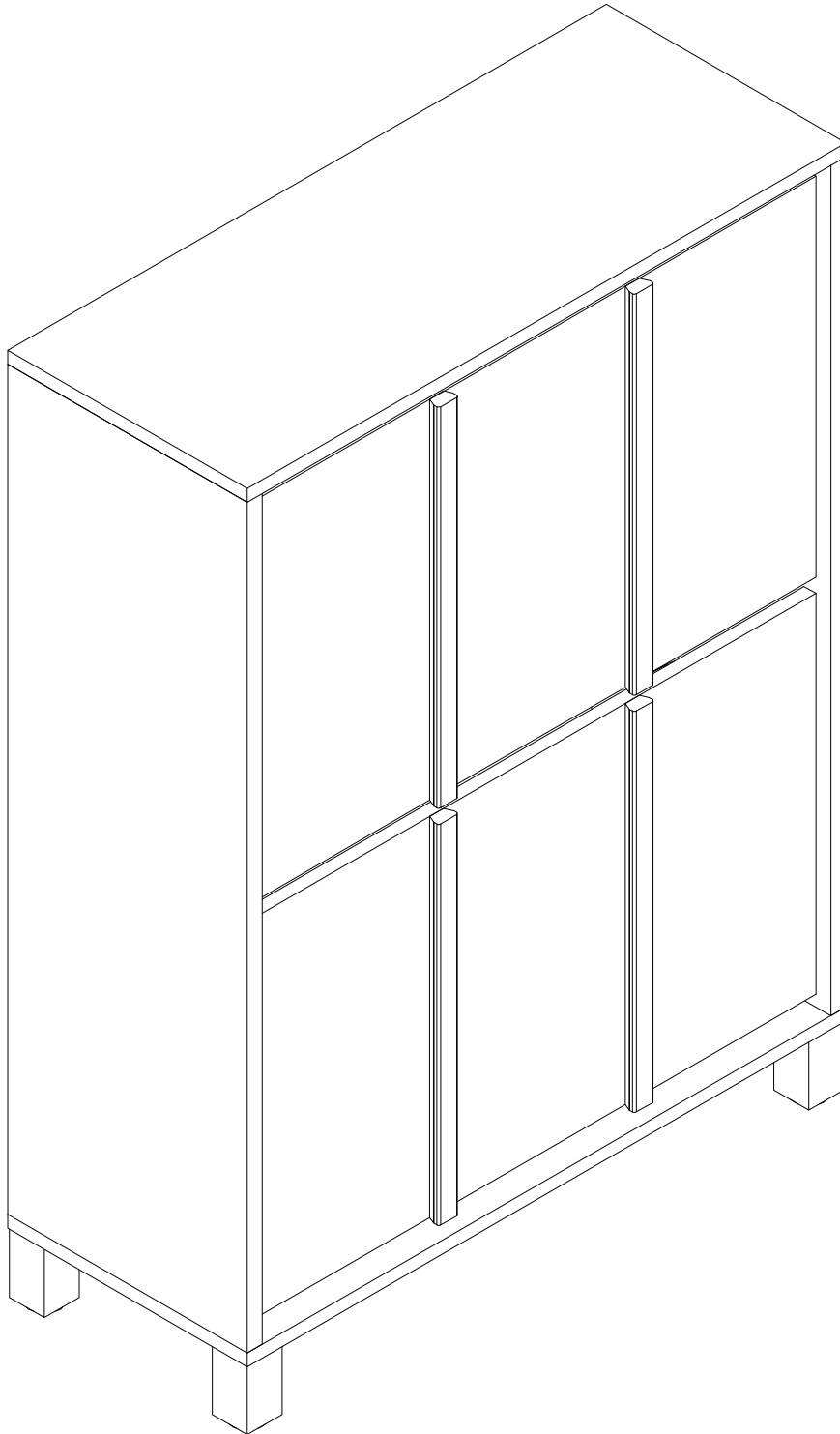


Willow 2 Tier Shoe Cabinet

Instruction Manual



The photos and illustrations shown in this instruction manual are generic.
The manufacturer reserves the right to change any specification or feature without prior notice.

IMPORTANT: KEEP FOR FUTURE REFERENCE. READ CAREFULLY.

Assembly Instructions

43705368 WILLOW 2 TIER SHOE CABINET

WARNING:

DO NOT STAND, SIT OR LEAN ON THIS UNIT.

DO NOT USE THIS UNIT AS A STEP LADDER OR AS A CHOPPING SURFACE.

KEEP AWAY FROM CHILDREN AND BABIES.

ADULT ASSEMBLY REQUIRED.

USE ONLY ON A FLAT SURFACE.

DO NOT USE THIS UNIT UNLESS ALL BOLTS AND SCREWS ARE FIRMLY SECURED.

CARE INSTRUCTIONS:

TO BE ASSEMBLED ON A CLEAN, DRY AND SMOOTH SURFACE.

WIPE CLEAN WITH A SOFT DAMP CLOTH.

NEVER USE SCOURERS, ABRASIVES OR CHEMICAL SOLVENTS.

CHECK AND TIGHTEN ALL PARTS REGULARLY.

KEEP AWAY FROM MOISTURE AND DIRECT SUNLIGHT.

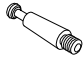

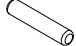

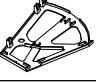
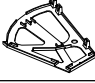



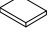










STORE IN A DRY PLACE.

FOR INDOOR AND DOMESTIC USE ONLY.

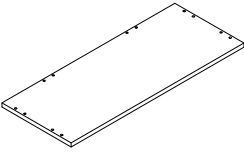
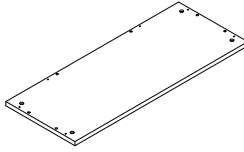
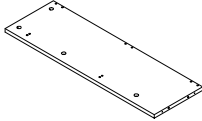
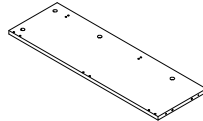
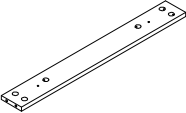
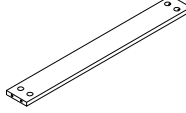
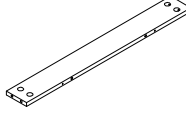

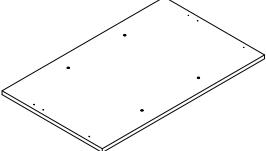
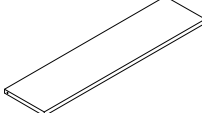
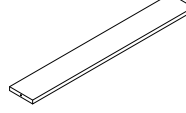

MAXIMUM SAFE LOAD:

TOP PANEL: 10kg EACH SHELF : 3kg

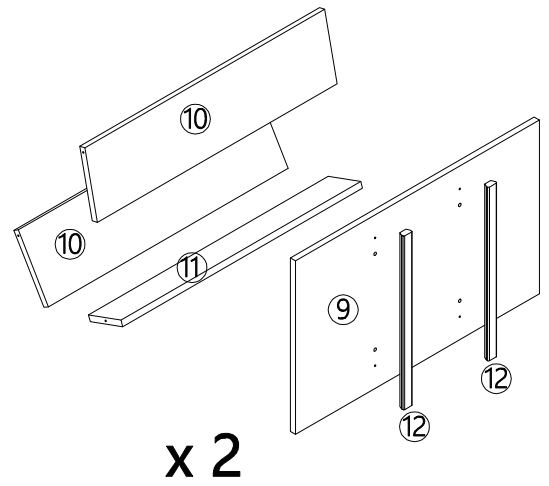
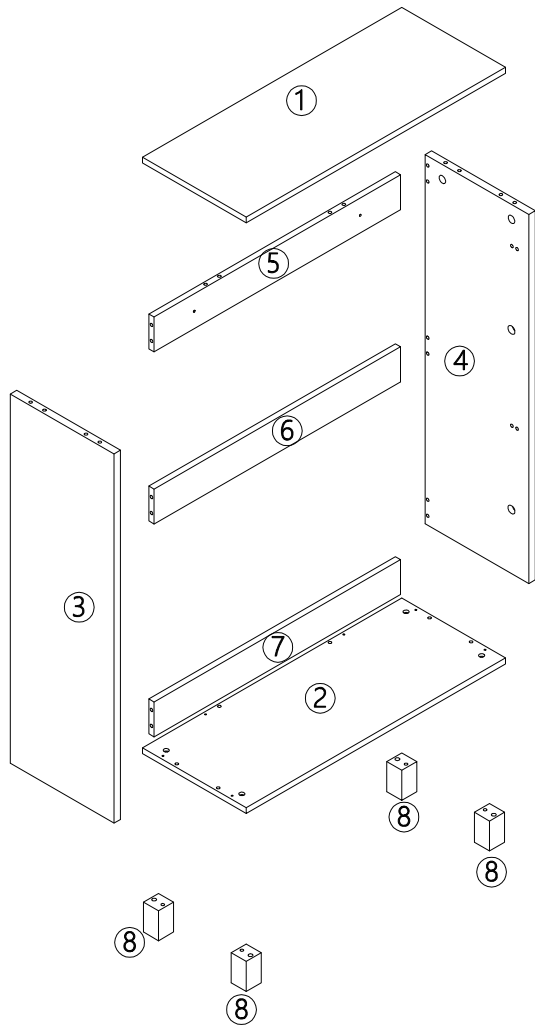
1 Hardware List

A		M6x35mm	18pcs	B		Ø15x9mm	18pcs	C		Ø6x30mm	12pcs	D		M4x35mm	6pcs
E			2pcs	F			2pcs	G			4pcs	H			4pcs
I			4pcs	J			4pcs	K		M4x18mm	12pcs	L		M3.5x14mm	16pcs
M			2pcs	N			1pcs	O		M7x40mm	4pcs	P		Ø8x30mm	4pcs
Q		M4x25mm	8pcs	R		Ø6x15mm	8pcs	S		M4x40mm	2pcs	T		M3x16mm	8pcs

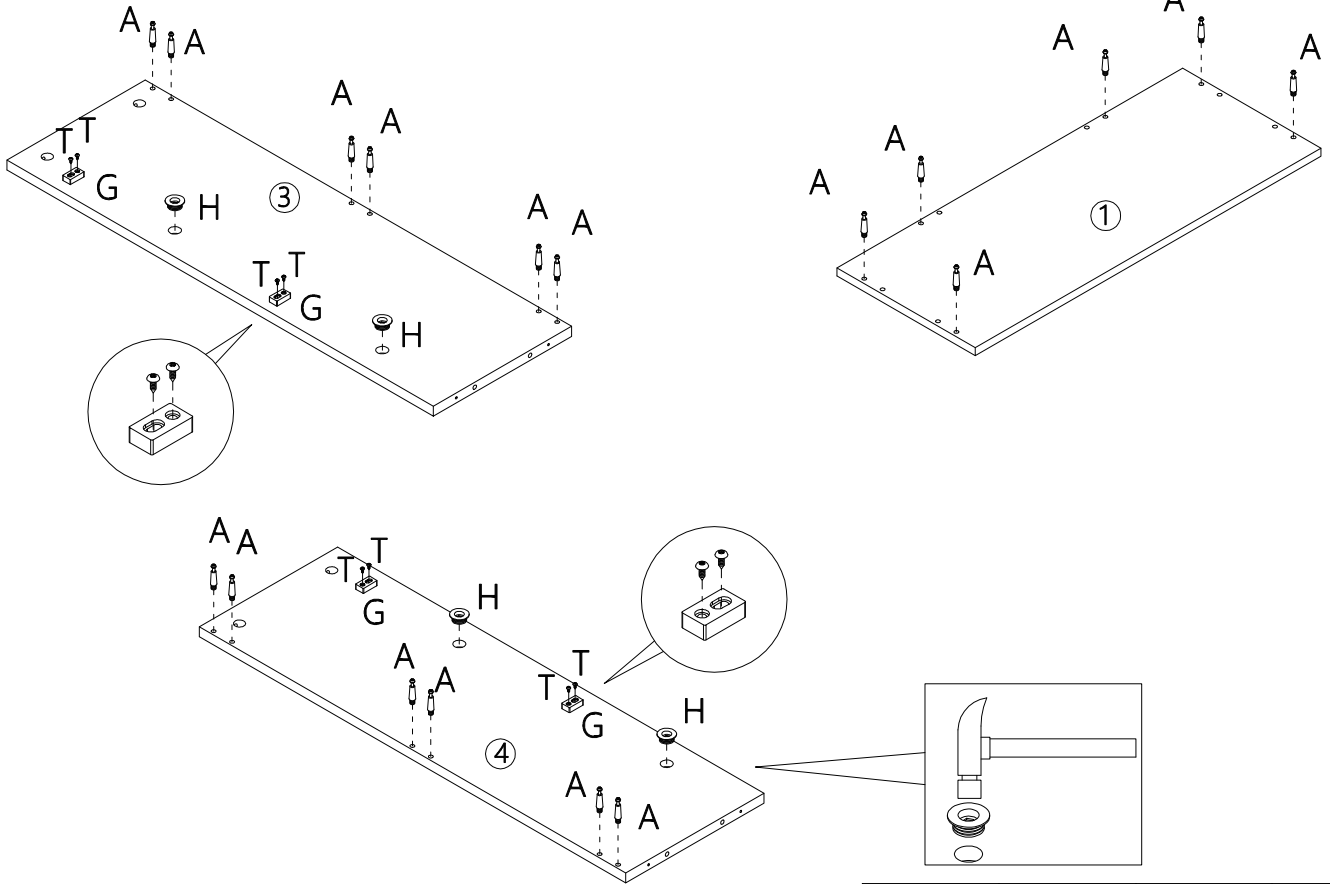
2 Parts List

			
①	1PC	②	1PC
			
⑤	1PC	⑥	1PC
			
⑨	2PCS	⑩	4PCS
		⑪	2PCS
		⑫	4PCS

PANEL LAYOUT

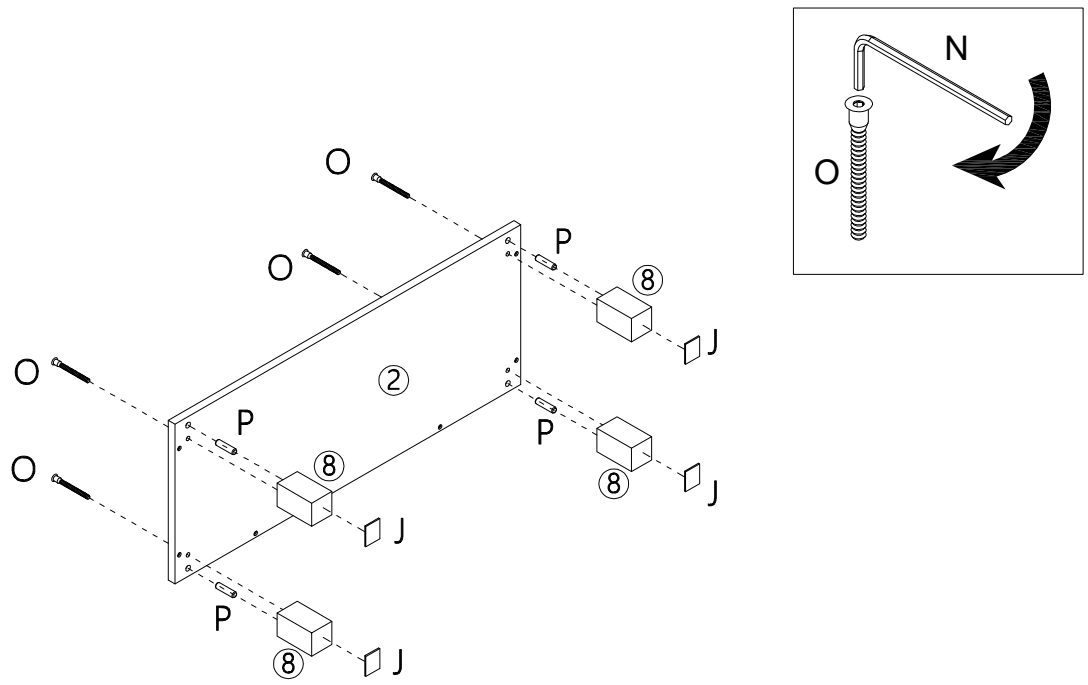


STEP 1



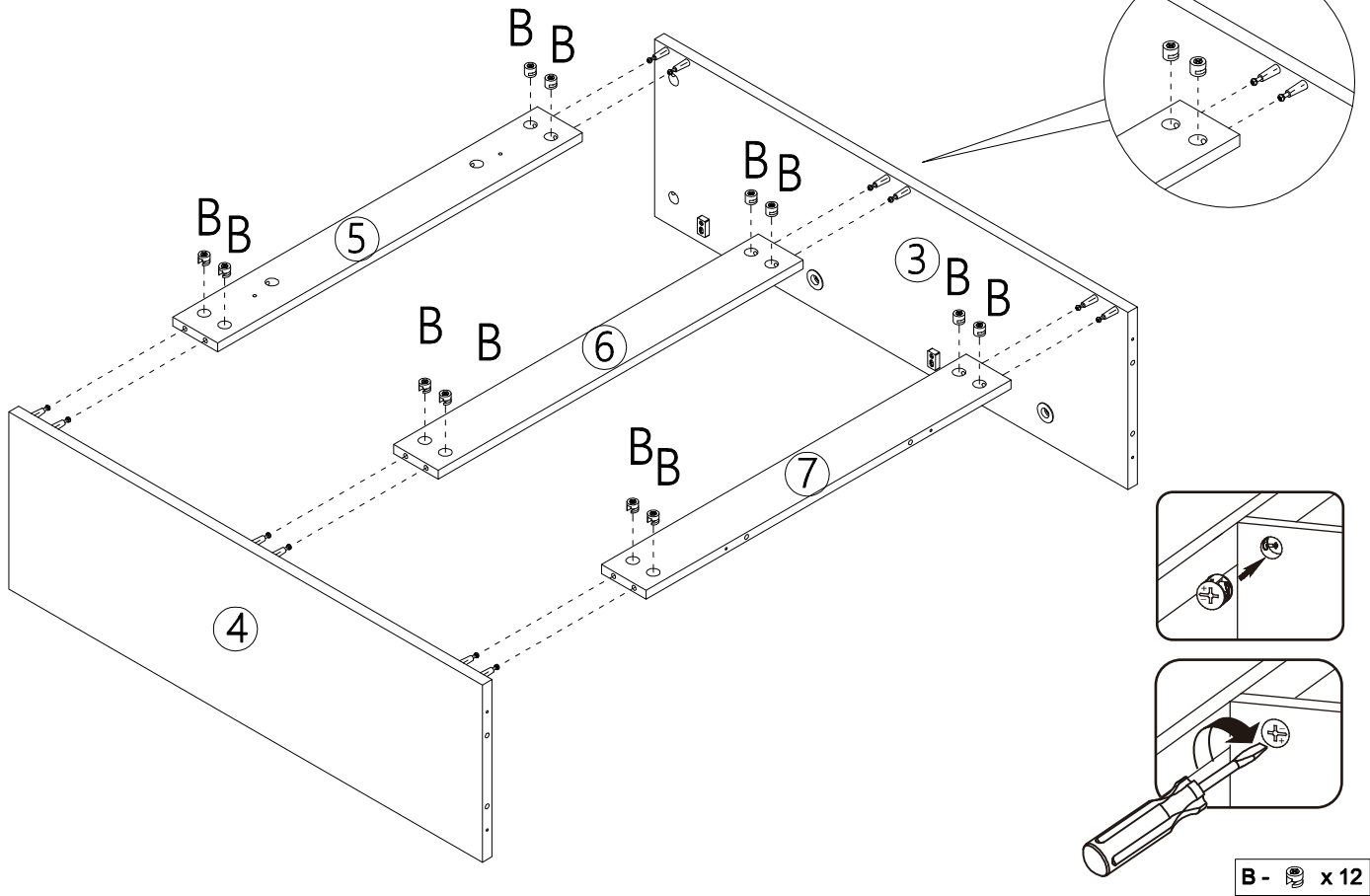
- A - x 18
- G - x 4
- H - x 4
- T - x 8

STEP 2

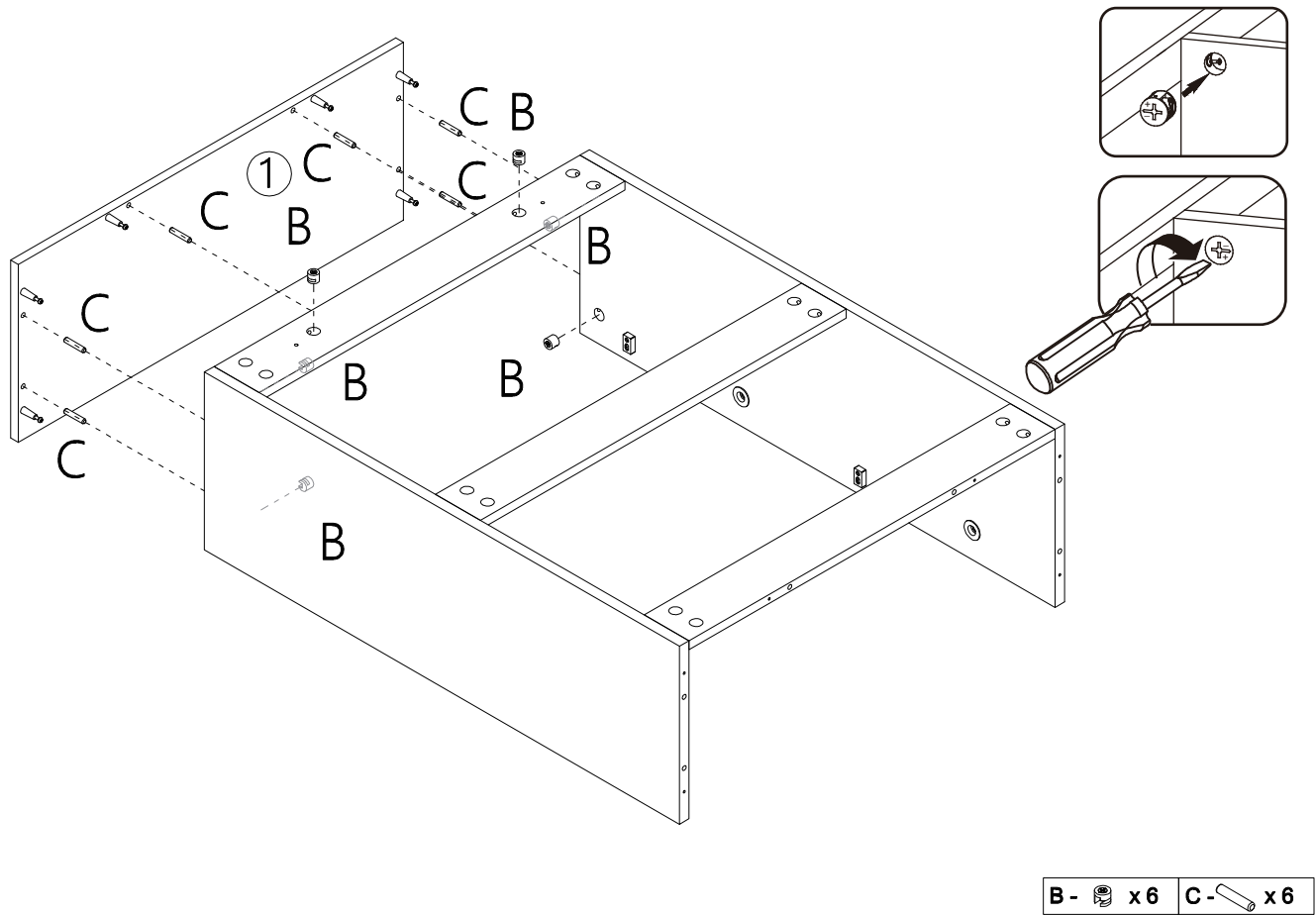


- N - x 1
- O - x 4
- P - x 4
- J - x 4

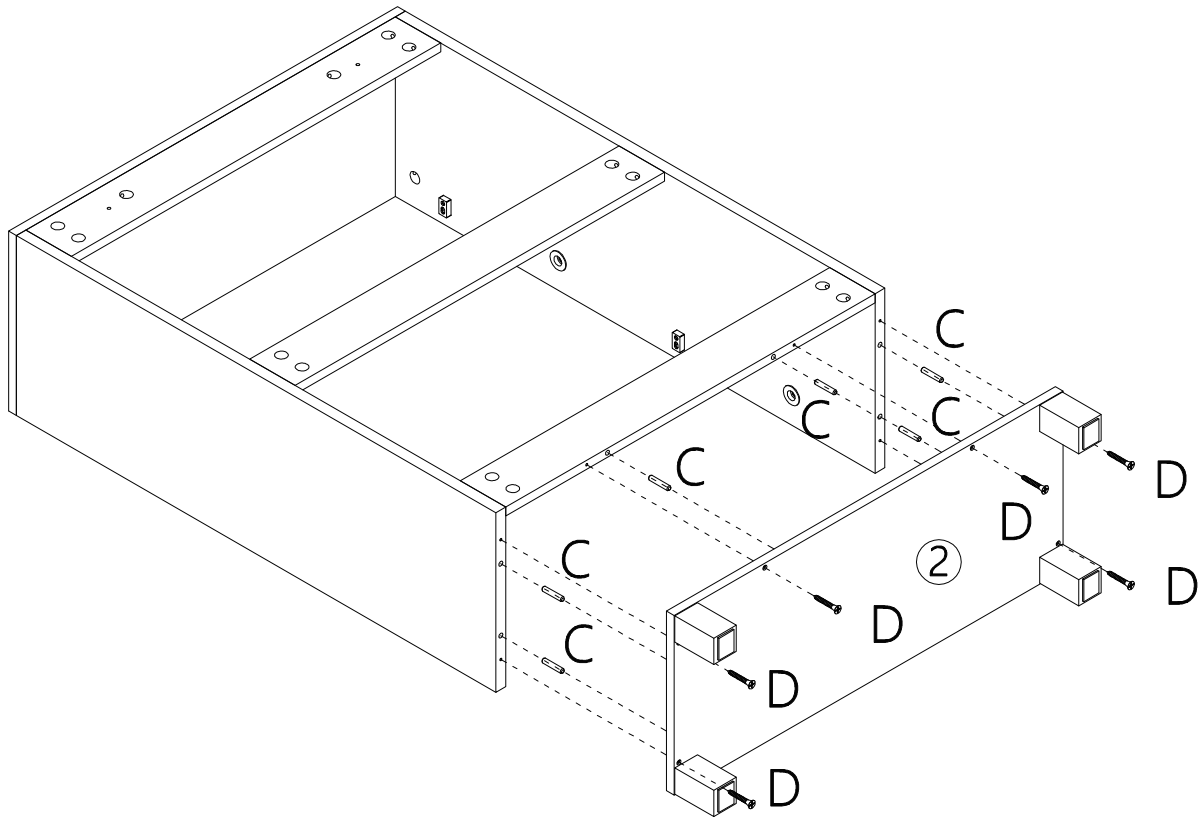
STEP 3



STEP 4



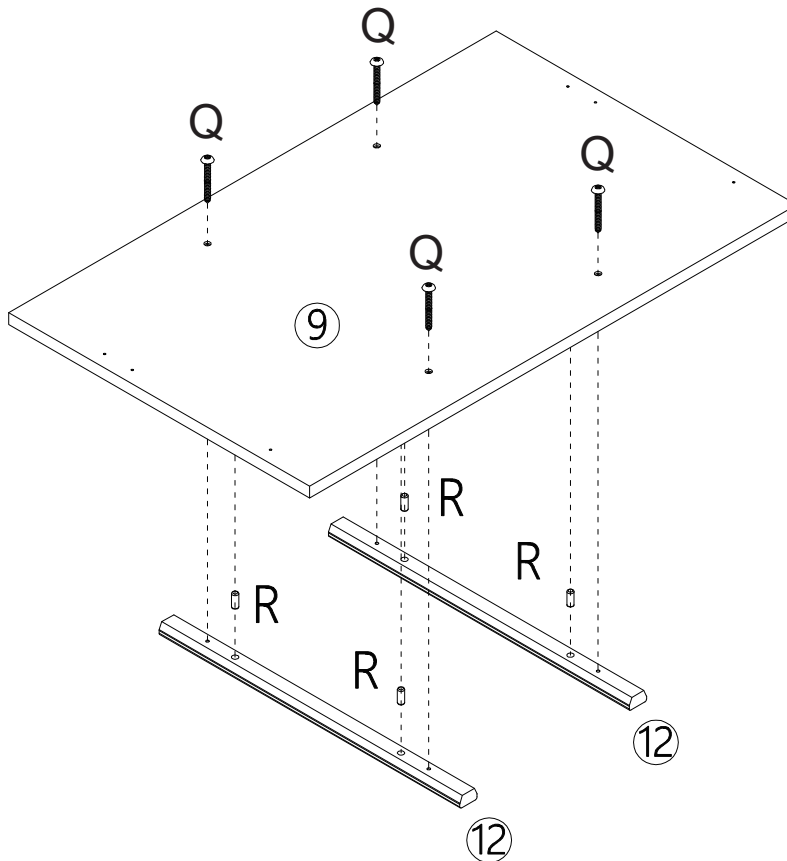
STEP 5



C- x6 D- x6

STEP 6

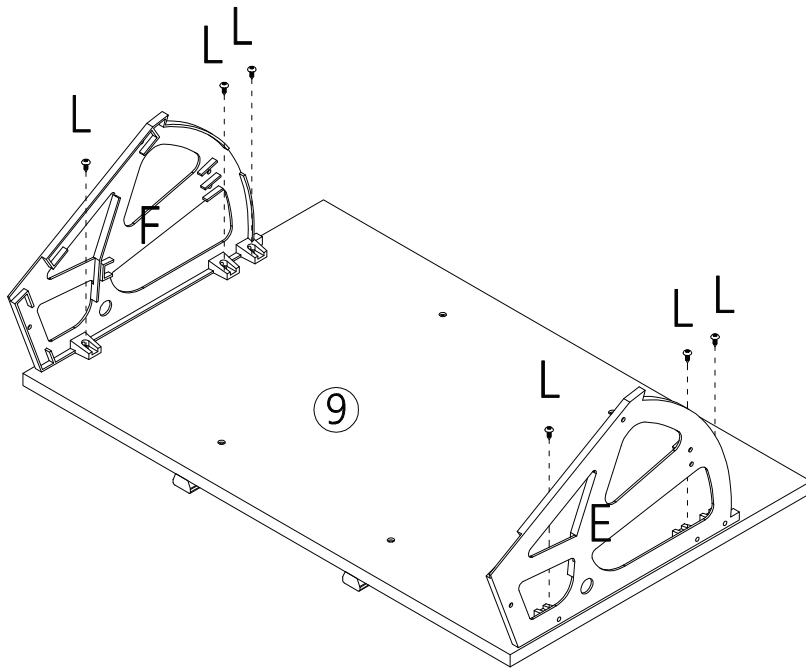
X2



Q- x8 R- x8

STEP 7

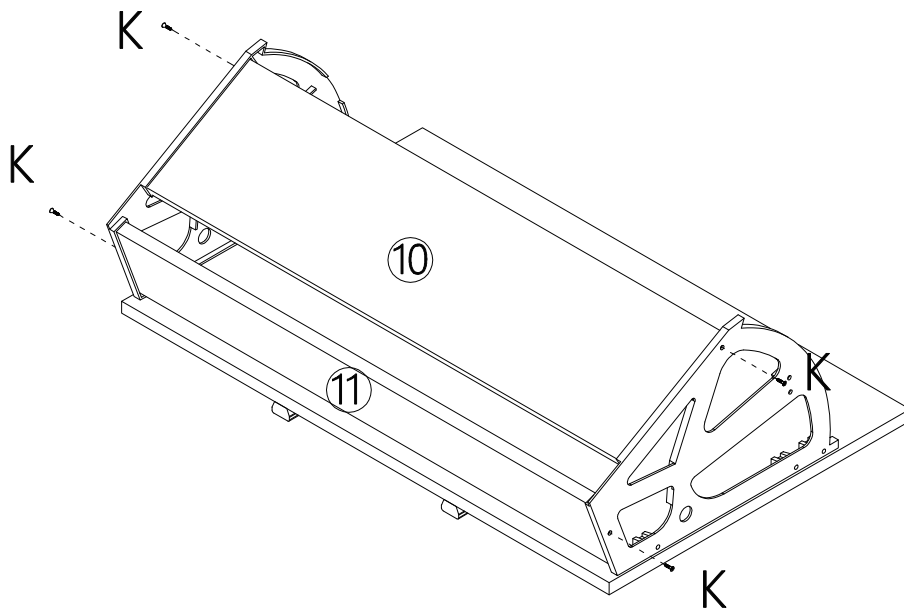
X 2



E -  x2 F -  x2 L -  x12

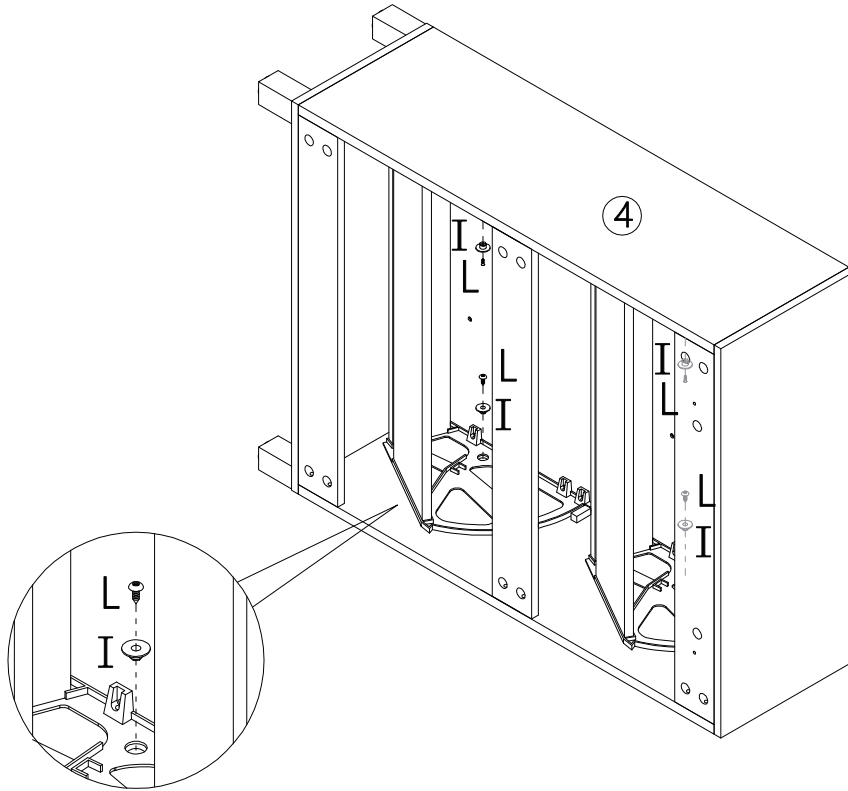
STEP 8

X 2



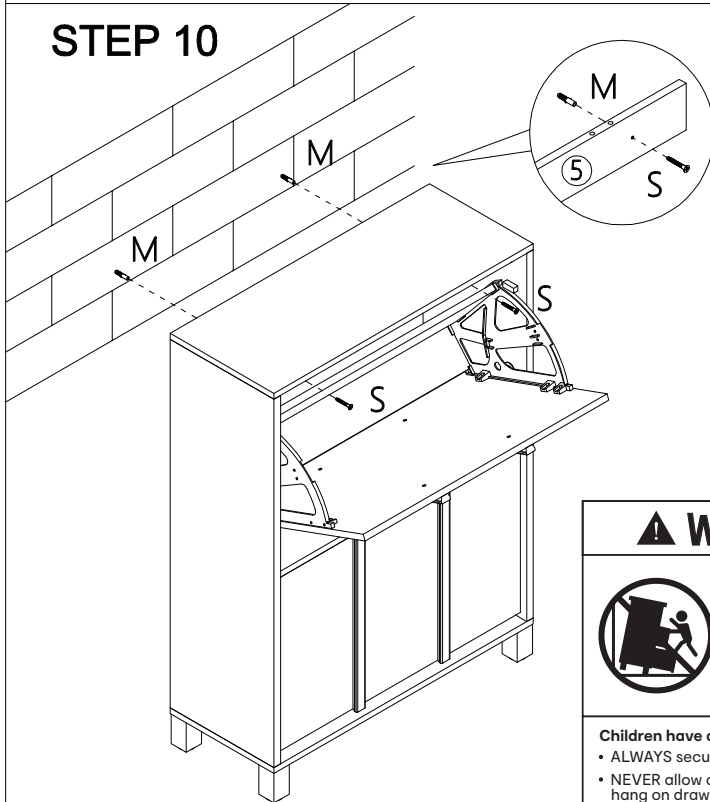
K -  x8


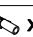
STEP 9



I-  x4 L-  x4

STEP 10



S-  x2 M-  x2

▲ WARNING




Children have died from furniture tipover.

- ALWAYS secure it with an anchor device.
- NEVER allow children to stand, climb or hang on drawers, doors, or shelves.
- NEVER open more than one drawer at a time.
- Place heavy items down low.

NEVER put a TV on this furniture 

This is a permanent label. Do not remove!

TOPPLING FURNITURE WARNING:

- ALWAYS secure it with an anchor device.
- Please seek professional advice if you are in doubt of what fixing device to use.
- Regularly check that anchors are securely maintained.
- Use safety drawer locks to prevent children climbing.
- Stability of tall items may be affected by thick pile carpet or uneven floors .
- Do not place unanchored televisions on furniture .

CAUTION: for your safety when attaching the anchor fixings, please note the following:

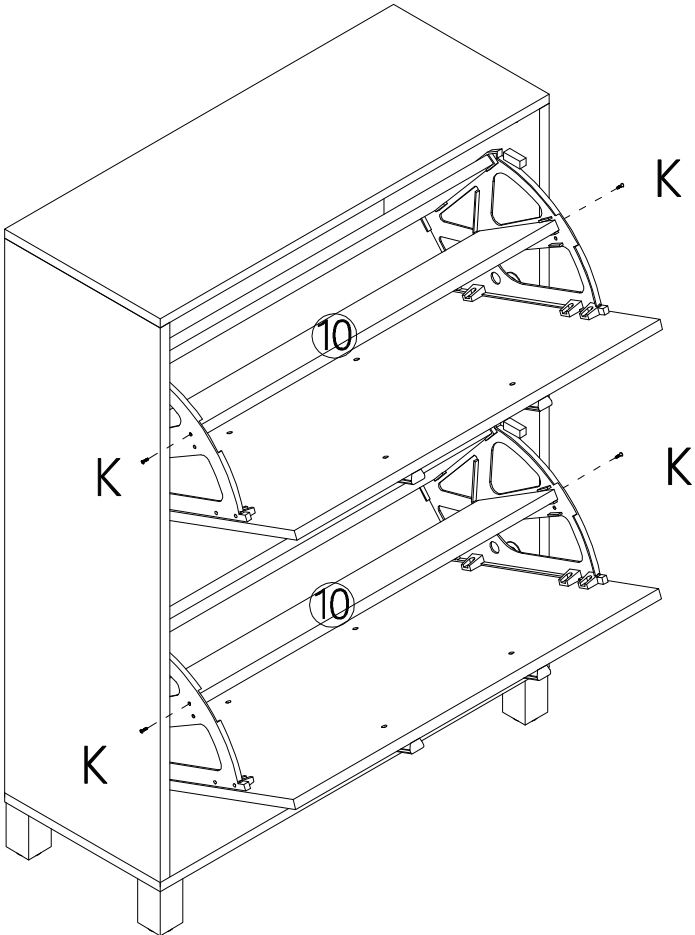
- Check any electrical wires or plumbing inside the wall before drilling any holes (if you are unsure please seek professional advice from a qualified tradesperson).



WARNING: PLEASE SECURE YOUR FURNITURE WITH THE SUPPLIED WALL FIXING. SCAN THE CODE FOR MORE INFORMATION.



STEP 11



K -  x 4

