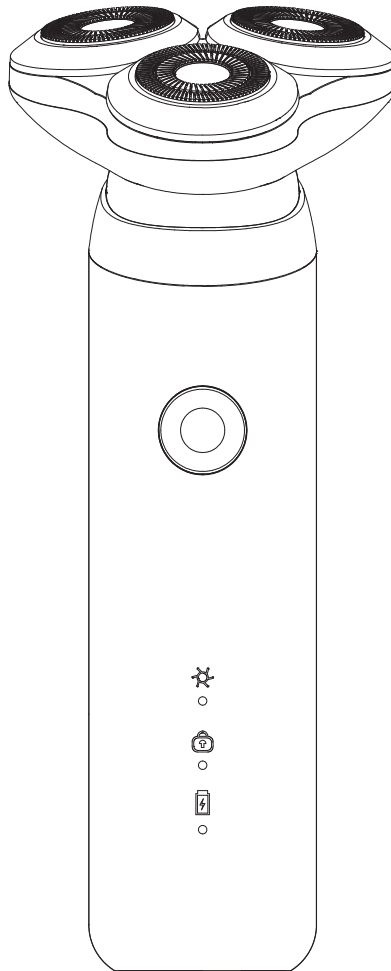


anko

Compact Rotary Shaver QS-6016 Instruction Manual



**PLEASE READ AND SAVE THESE
INSTRUCTIONS FOR FUTURE REFERENCE**

IMPORTANT SAFETYGUARDS

PLEASE READ CAREFULLY BEFORE USING THIS APPLIANCE

Please follow all the precautions listed below for safety and to reduce the risk of injury or electric shock.



WARNING: READ ALL INSTRUCTIONS, FAILURE TO FOLLOW ALL INSTRUCTIONS LISTED BELOW MAY RESULT IN ELECTRIC SHOCK, OR SERIOUS PERSONAL INJURY.

SAVE THIS INSTRUCTION

1. Only use the appliance as described in this manual.
2. Do not immerse the appliance in water or any other liquid, product is splash-proof only.
3. Do not allow the appliance to be exposed to rain or moisture during use or storage.
4. Always check the appliance for damage prior to use. If any damage is observed, do not use the appliance.
5. The appliance is intended for indoor use only.
6. Always switch the appliance off after use.
7. This appliance has no user serviceable parts. Do not attempt to access the appliance covers.
8. This appliance is for personal use only, not designed for commercial use.
9. Do not use it outdoors.
10. Do not use the appliance if it is not working properly, if it has been dropped or if it has been immersed in any liquid.
11. Before using the appliance, ensure that the rotary head is securely fitted.
12. Do not use the appliance on children.
13. The appliance is not to be used by persons (including children) with reduced physical, sensory or mental capabilities, or lack of experience and knowledge, unless they have been given supervision or instruction concerning use of the appliance by a person responsible for their safety.
14. Children being supervised to ensure that they do not play with the appliance.
15. Only charge the appliance with the USB cable that was supplied with the appliance.
16. Only Charge the appliance with Extra Low Voltage Battery Charger (not supplied) with an output rating 5Vd.c. 1A, same as indicated on the appliance's rating label.
17. When charging the appliance, make sure it is switched OFF.
18. Check that your supply voltage is the same as that stated on the charger.
19. When charging the appliance, the power switch must be off.
20. Use only attachments provided.
21. This product contains sharp blades, please take utmost care during handling and use.
22. Do not replace the batteries with non-rechargeable batteries.
23. Please put the protective cap on the shaver every time to prevent damage on the rotary head. To avoid personal injury, do not use the shaver if it has a damaged rotary head or inner cutter.
24. Detach the shave head for cleaning.
25. Do not use salt water or boiling water. Also, do not use cleaning products that are designed for toilets, bathrooms, or kitchen appliances.



WARNING: Do not recharge non-rechargeable batteries.



WARNING: Before charging the product, please make sure your hands are dry.



WARNING: Only use the USB charging cable supplied with the appliance. Use of other cables may cause electrical failure and/or fire.

PERSONAL SAFETY

- Never use the appliance on any part of the body other than shaving the face and beard.
- Do not use the appliance if the foil is split or broken.
- Never leave the appliance unattended while switched ON.
- Do not touch the blades as they are very sharp.
- Always ensure that the hands are dry before operating or adjusting any switch on the product.



WARNING

Only use the USB cable that was supplied with this Appliance.

Consumers are cautioned against trying to replace the battery. Using and/or purchasing counterfeit and/or inferior quality batteries have the potential to cause fire, personal injury, and/or damage to property. These batteries are typically found on online-auction websites or from other retailers and are known to pose a potential safety risk.

Never try to charge non-rechargeable batteries as they may explode or catch on fire or cause personal injury and/or damage to property.

- Batteries may explode if disposed of in fire.
- The battery is not replaceable. Do Not open the appliance.
- Do not use or store in temperatures above 40°C.



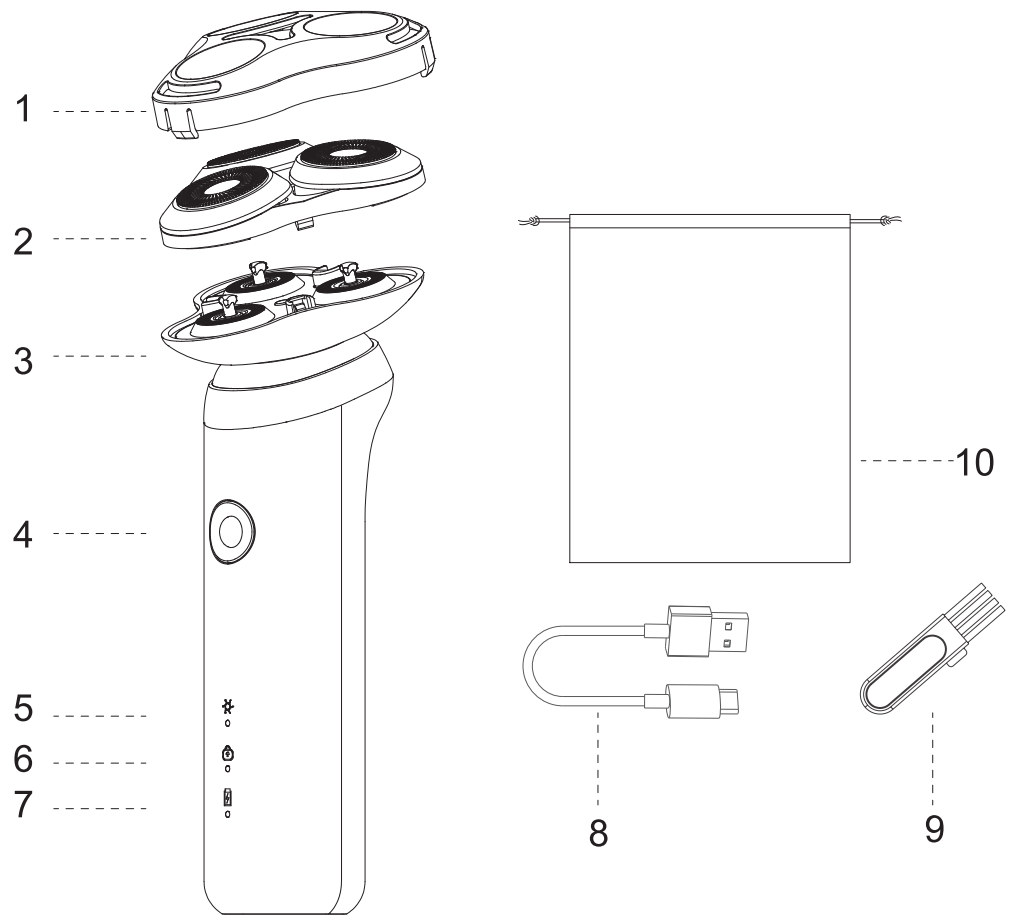
At the end of the appliance's life, it must be disposed of correctly.

Contact your local waste management authority for more information on Battery Recycling and disposal regulations in your area.

Do not dispose of electrical appliances or batteries as unsorted municipal waste, use separate collection facilities. Contact your local council for information regarding the collection systems available. If electrical appliances are disposed of in landfills or dumps, hazardous substances can leak into the groundwater and get into the food chain, damaging your health and well-being. Please contact your local council or regional authority for more information on the collection, reuse, and recycling programmes.

Read and Save These Instructions

PARTS



1. Protective cap
2. Blade
3. Blade holder
4. On/Off switch
5. Power indicator

6. Travel lock indicator
7. Charging indicator
8. USB cable
9. Brush
10. Black pouch

CHARGING

IMPORTANT: This Appliance contains a built-in lithium-ion battery which must only be charged using the supplied USB cable.

Always switch off and unplug the USB cable when charging is completed or when not in use.

DO NOT allow appliance to charge for more than 2 hours.

Normal charge takes approximately 1.5 hours.

If any abnormality occurs during charging, (such as burning smell or excessive heat or even a strange sound) immediately turn off the charger and disconnect the USB cable.

IMPORTANT: The Appliance must be fully charged before first use.

- Take the USB Cable and fully unravel it before using it to charge the Appliance.
- Plug the small end of the USB cable directly into the bottom of the appliance.
- Plug the large end of the USB cable into your 5Vd.c. 1A USB charger (not supplied) and switch on.
- The Charging Indicator will flash, indicating the battery is charging.
- When full charged, the Charging indicator will stay ON.
- Unplug the USB charging cable from the appliance.

OPERATING INSTRUCTIONS

1. Remove the protective cap.
2. To switch on the shaver, press the On/Off switch once.
3. Move the shaver quickly over your skin and against the growing direction of beard. Make both straight and circular movements.
4. Switch the shaver off by pressing the On/Off switch again.
5. Put the protective cap on the shaver every time after use to prevent damage.

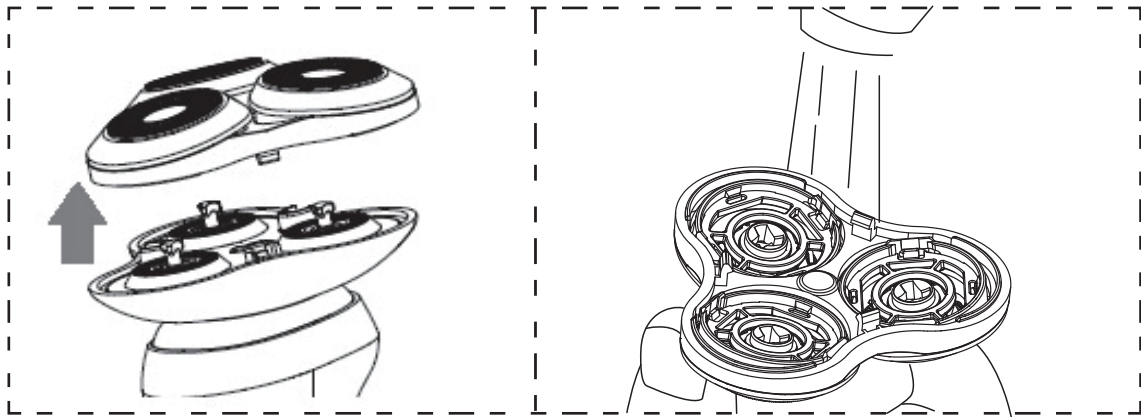
NOTE: If Charging indicator flash during use, this means battery level is low and need charging.

Travel lock

1. To lock: Press and hold the On/Off switch for 3 seconds then release. The Travel Lock indicator will be on for 5seconds to tell the user that the lock is activated.
2. To unlock: Press and hold the On/Off switch for 3 seconds. The Travel Lock indicator will flash 3 times, and the device will unlock and turn on.

CLEANING AND MAINTENANCE

1. Switch off the shaver.
2. Pull to detach the Blade Set from the main unit.
3. Clean the Blade Set and Blade holder with cleaning brush provided.
4. After cleaning with a brush, rinse them under tap water.



5. Carefully shake off excess water and allow all the parts to dry thoroughly.
6. Reassemble the blade set into the main unit.

WARNING! Never attempt to dry the Blade Set with a towel or tissue, as this may damage the blade.

Oiling blades:

- Rinsing attachments under water requires lubricating the cutting blades monthly.
- Using only light-grade oils (e.g. sewing machine oil), simply spread 1-2 drops lightly over cutters with fingertip. Wipe away any excess.
- Do not use hair oil, grease, or any oil mixed with kerosene or solvent.

STORAGE

1. Switch the shaver OFF and clean all components. Make sure that all parts are dry before you pack them up.
2. Store the shaver in a clean, dry area.
3. Make sure that the shaver and the accessories are out of the reach of children and animals.

TECHNICAL SPECIFICATIONS

| | |
|------------------|------------------------------|
| Working time | Approx. 1 hour |
| Charging time | Approx. 1.5 hours |
| Input voltage | 5Vd.c. 1.0A |
| Battery type | Li-ion, 600mAh, 3.7V x1 cell |
| Water resistance | IPX7 |

12 Month Warranty

Thank you for your purchase.

Your new product is warranted to be free from defects in materials and workmanship for the period stated above, from the date of purchase, provided that the product is used in accordance with accompanying recommendations or instructions where provided. This warranty is in addition to your rights under the Australian Consumer Law. For New Zealand customers, this warranty is in addition to statutory rights observed under New Zealand legislation.

We will provide you with your choice of a refund, repair (where possible) or exchange (availability dependent) for this product if it becomes defective within the warranty period. The business will bear the reasonable expense of claiming the warranty.

This warranty will no longer apply where the defect is a result of alteration, accident, misuse, abuse or neglect.

Please retain your receipt as proof of purchase and contact our Customer Service Centre as listed below, for the entity you purchased this product from, for any difficulties with your product. Warranty claims and claims for expense incurred in returning this product can be addressed to the respective Customer Service Centre.

Our goods come with guarantees that cannot be excluded under the Australian Consumer Law. You are entitled to a replacement or refund for a major failure and compensation for any other reasonably foreseeable loss or damage. You are also entitled to have the goods repaired or replaced if the goods fail to be of acceptable quality and the failure does not amount to a major failure.

| Contact for Kmart purchases | Contact for Target purchases |
|--|--|
| Kmart Australia Ltd. C/- Customer Service Centre L2/1 MIDDLE ROAD, CHADSTONE VIC 3148 AUSTRALIA Customer Service: 1800 124 125 (Australia) or 0800 945 995 (New Zealand) or via Customer Help at kmart.com.au | Target Australia Pty Ltd C/- Customer Service Centre L2/ 1 MIDDLE ROAD, CHADSTONE VIC 3148 AUSTRALIA Customer Service: 1300 753 567 or via Customer Help at target.com.au/help/contact-us |