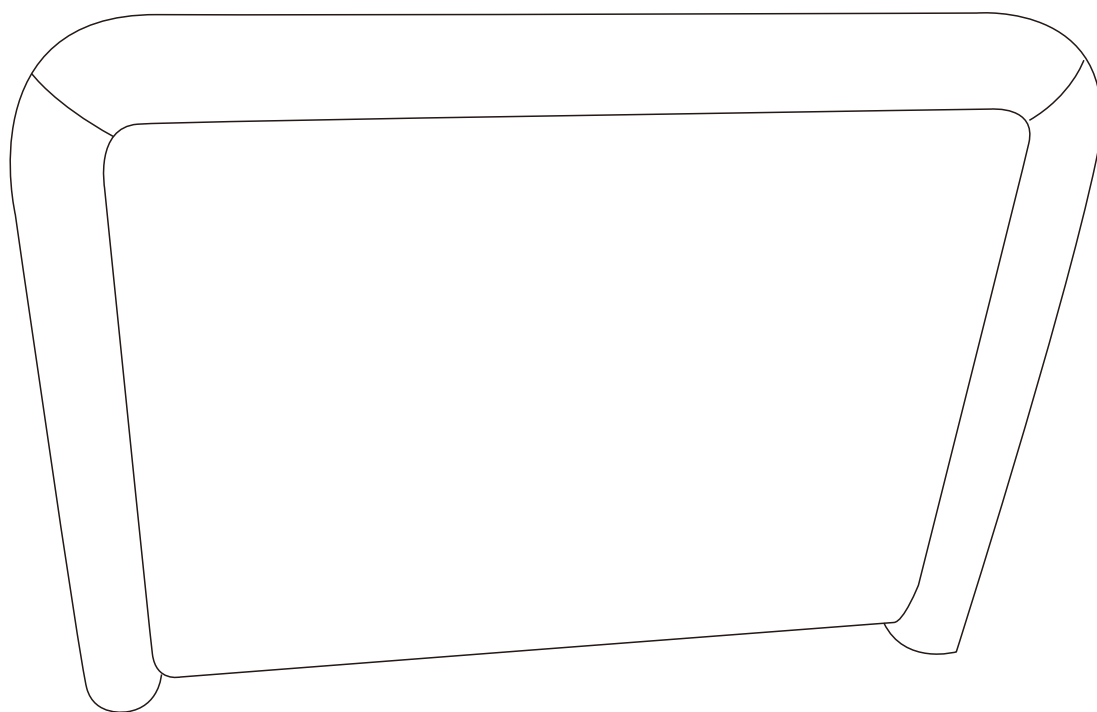


Halo Queen Bedhead

Instruction Manual



The photos and illustrations shown in this instruction manual are generic.
The manufacturer reserves the right to change any specification or feature without prior notice.

IMPORTANT: KEEP FOR FUTURE REFERENCE. READ CAREFULLY.

Assembly Instructions

43701117 Halo Queen Bedhead

CARE INSTRUCTIONS:

WIPE CLEAN WITH A DRY CLOTH.

DO NOT USE ABRASIVE MATERIALS AND SOLVENTS.

SPOT CLEAN IF NEEDED.

KEEP AWAY FROM WATER AND DIRECT SUNLIGHT.

WARNING:

DO NOT STAND ON THE BEDHEAD SURFACE.

DO NOT USE UNTIL ALL SCREWS AND BOLTS ARE FIRMLY SECURED.

THIS PRODUCT CONTAINS SMALL PARTS AND SHARP POINTS, KEEP AWAY FROM CHILDREN AND BABIES.

ADULT ASSEMBLY REQUIRED.

DO NOT TIGHTEN THE SCREWS FULLY DURING ASSEMBLY.



FULLY TIGHTEN SCREWS AFTER THE FINAL ASSEMBLY STEPS.

CHECK AND TIGHTEN ALL PARTS REGULARLY.





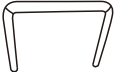


FOR INDOOR AND DOMESTIC USE.

FAILURE TO FOLLOW THESE WARNINGS COULD RESULT IN SERIOUS INJURY.

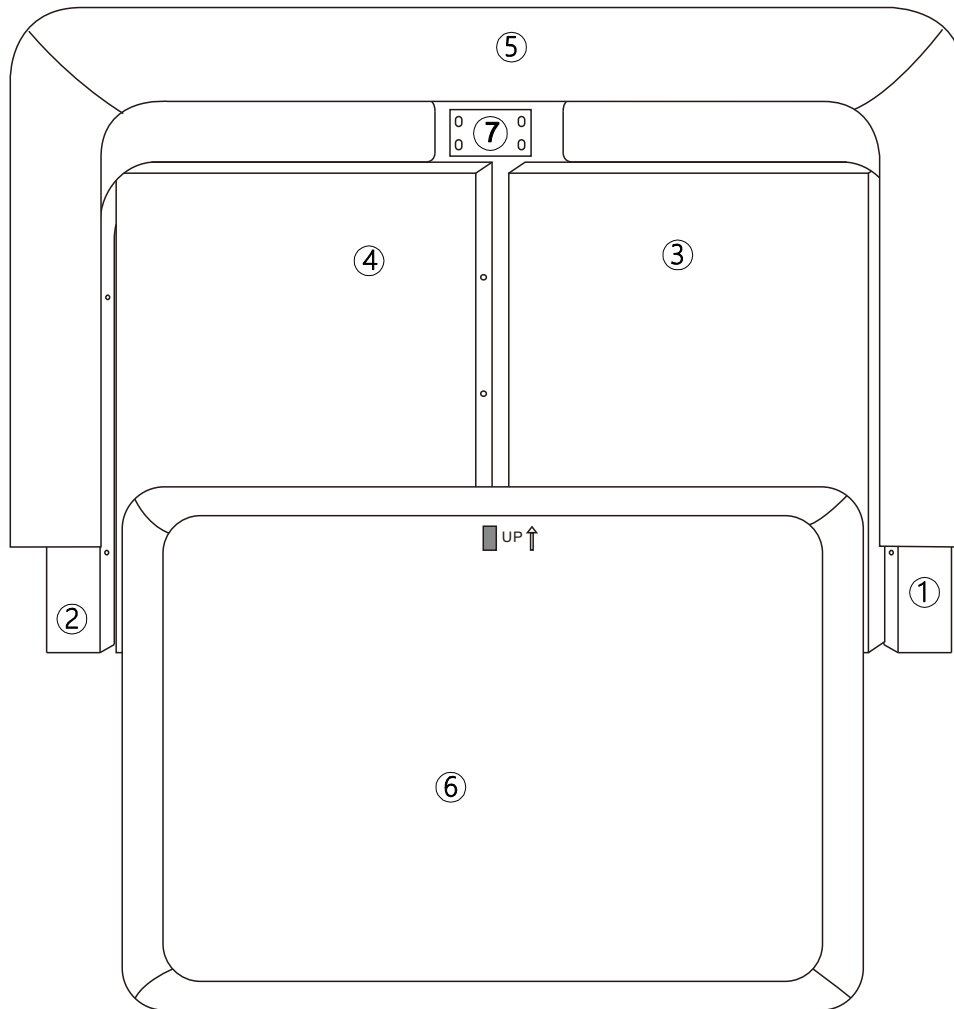
1 Hardware List

a		M6	1pc	b		M8x40MM	15pcs
---	---	----	-----	---	---	---------	-------

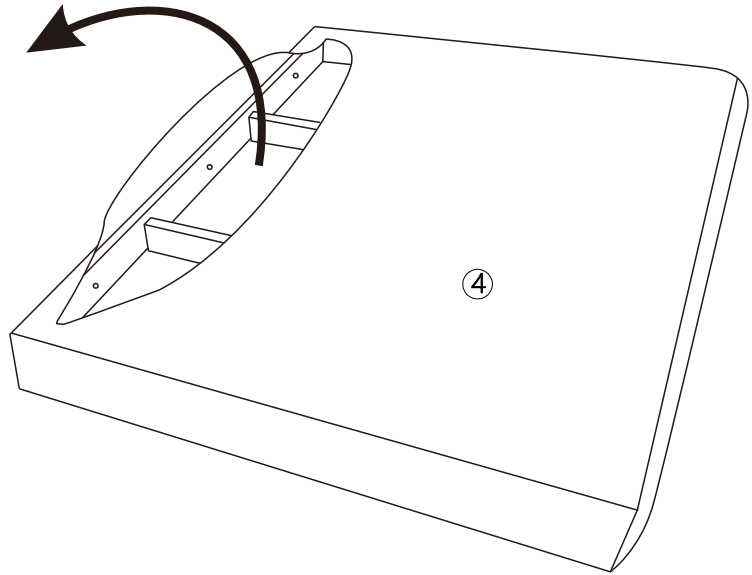
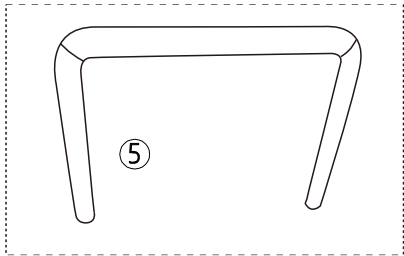
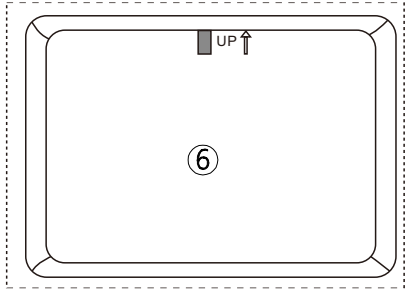
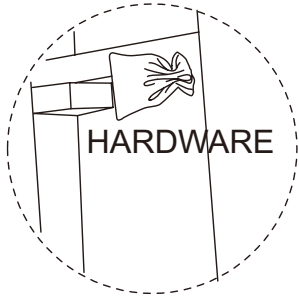
2 Parts List

			
①	②	③	④
1PC	1PC	1PC	1PC
			
⑤	⑥	⑦	
1PC	1PC	1PC	

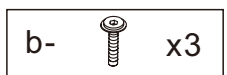
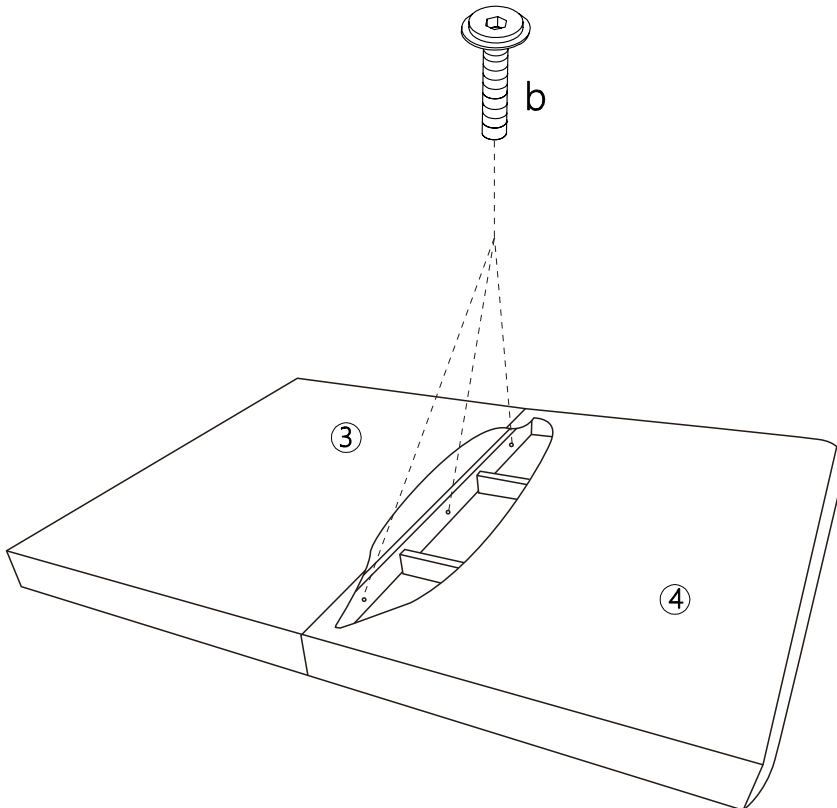
PANEL LAYOUT



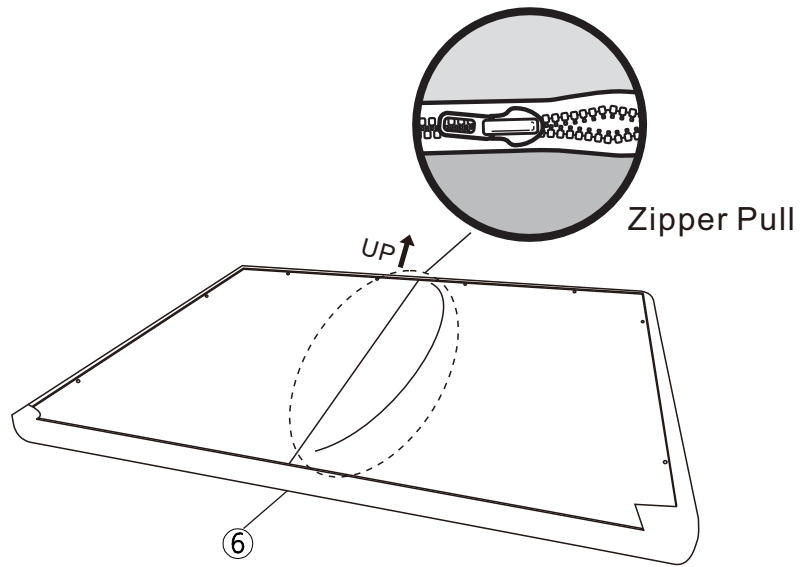
STEP 1



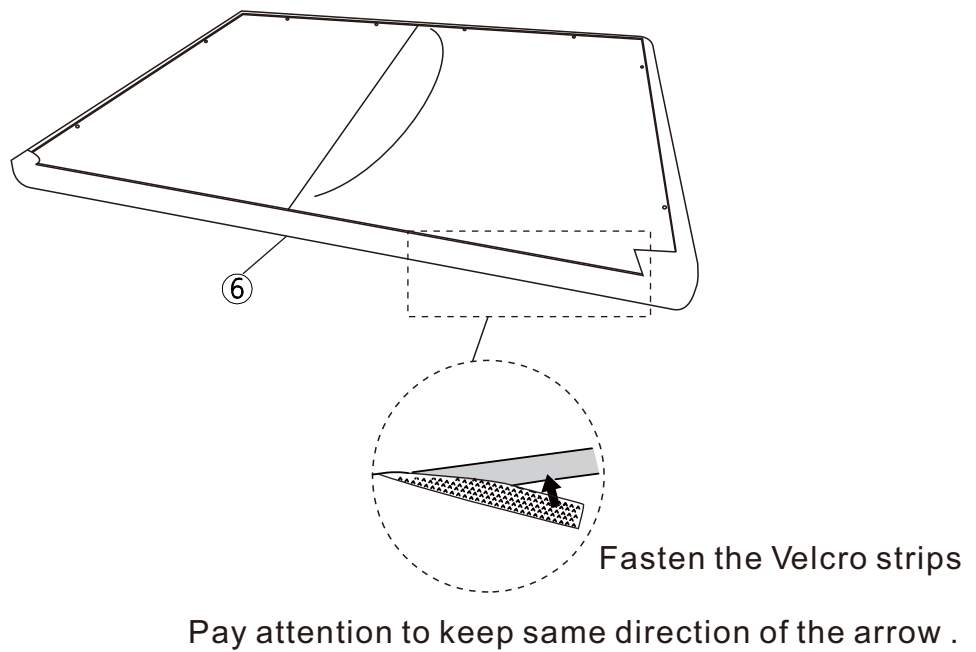
STEP 2



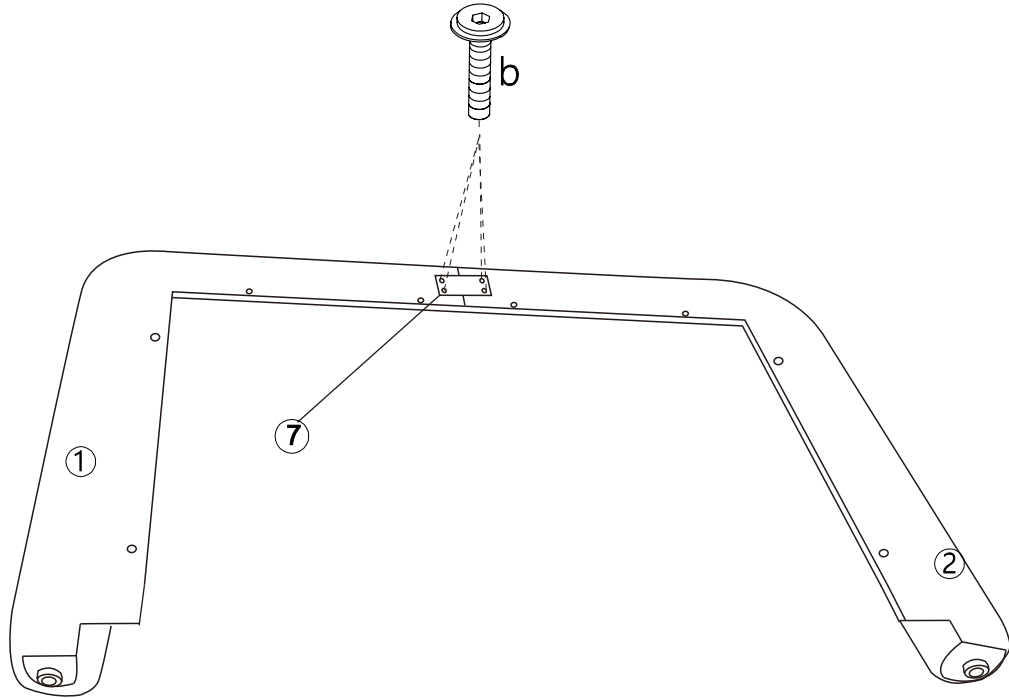
STEP 3



STEP 4

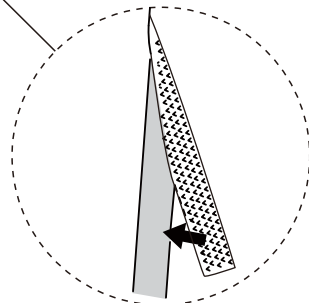
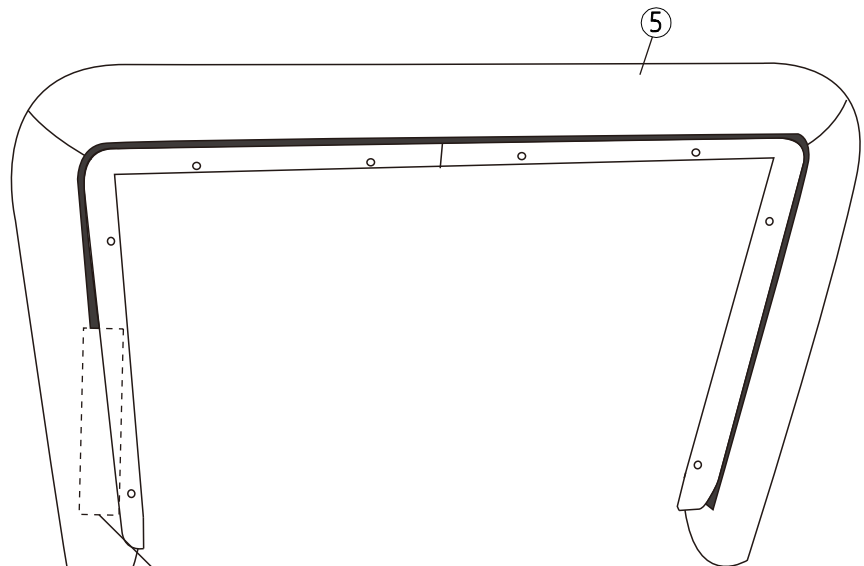


STEP 5



b-  x4

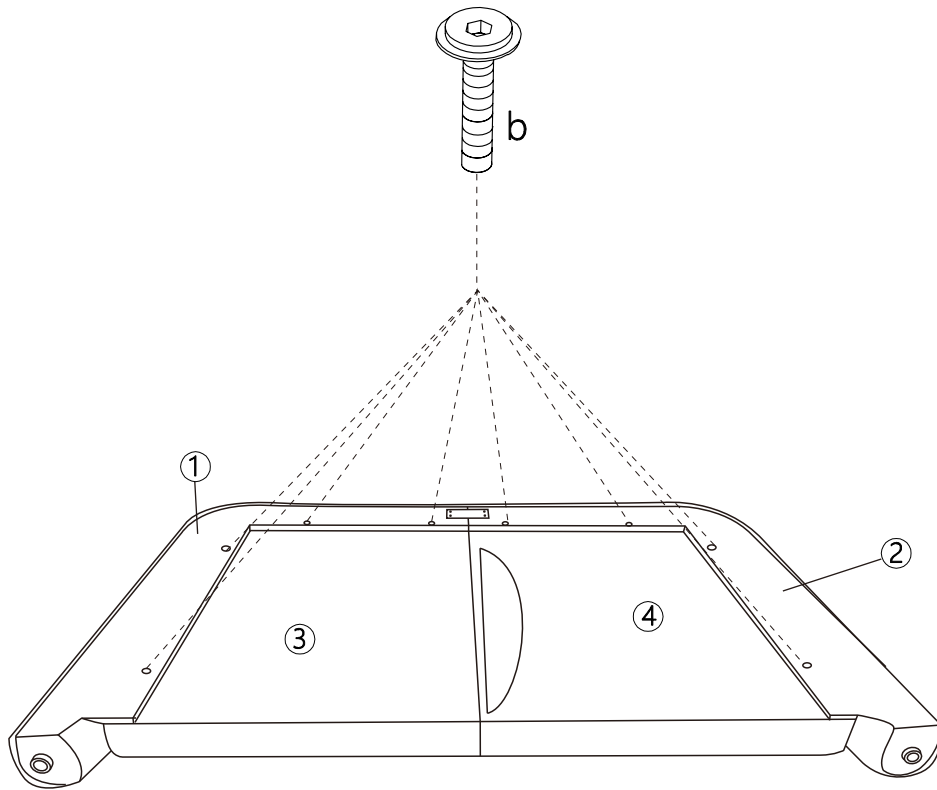
STEP 6



To fasten the Velcro strips, align the corners so that they match and are flush.

Fasten the Velcro strips

STEP 7



b-  x8

STEP 8

