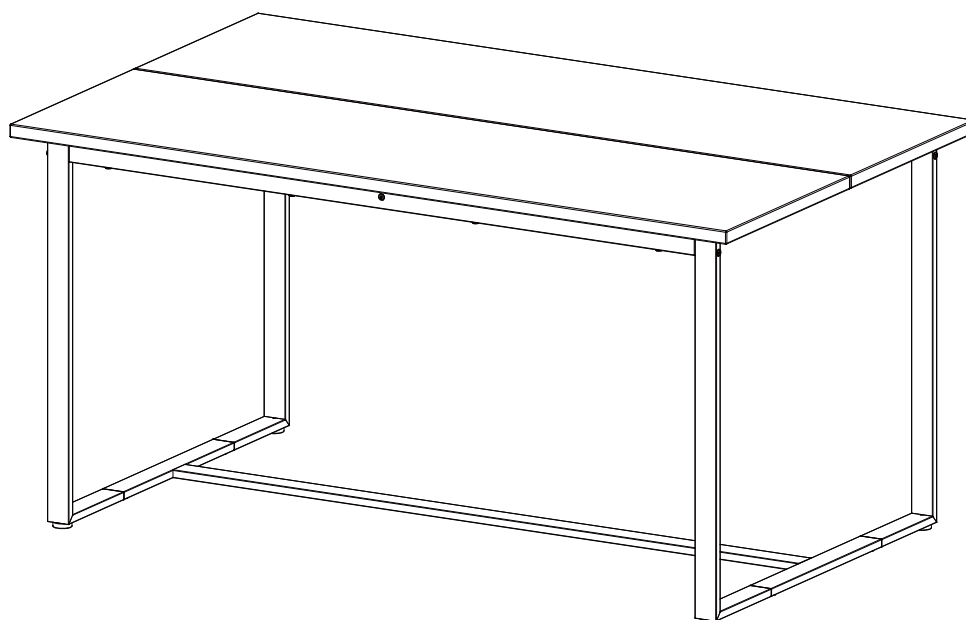


# WHARF DINING TABLE

## Instruction Manual



The photos and illustrations shown in this instruction manual are generic.  
The manufacturer reserves the right to change any specification or feature without prior notice.

**IMPORTANT: KEEP FOR FUTURE REFERENCE. READ CAREFULLY.**

# Assembly Instructions

## 43700929 WHARF DINING TABLE

### **CARE INSTRUCTIONS:**


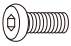




WIPE CLEAN WITH A DAMP OR DRY CLOTH.  
NEVER USE SCOURERS OR CHEMICAL SOLVENTS. KEEP AWAY FROM MOISTURE  
AND DIRECT SUNLIGHT.  
STORE IN A DRY PLACE.  
FOR INDOOR USE ONLY.

### **WARNING:**

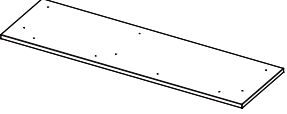
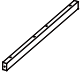




DO NOT STAND, SIT OR LEAN ON THE UNIT.  
DO NOT USE THIS AS A STEP LADDER.  
ENSURE THIS UNIT IS USED ONLY ON A FLAT SURFACE.  
DO NOT USE THIS UNIT UNLESS ALL BOLTS AND SCREWS ARE FIRMLY SECURED.  
DO NOT PLACE HOT OBJECTS SUCH AS COFFEE CUPS DIRECTLY ON THE SURFACE OF  
THIS FURNITURE ITEM.  
THIS ITEM IS FOR STORAGE PURPOSES ONLY.  
CONTAINS SMALL PARTS, IT IS TO BE ASSEMBLED BY AN ADULT.  
FAILURE TO FOLLOW THESE WARNINGS COULD RESULT IN SERIOUS INJURY.

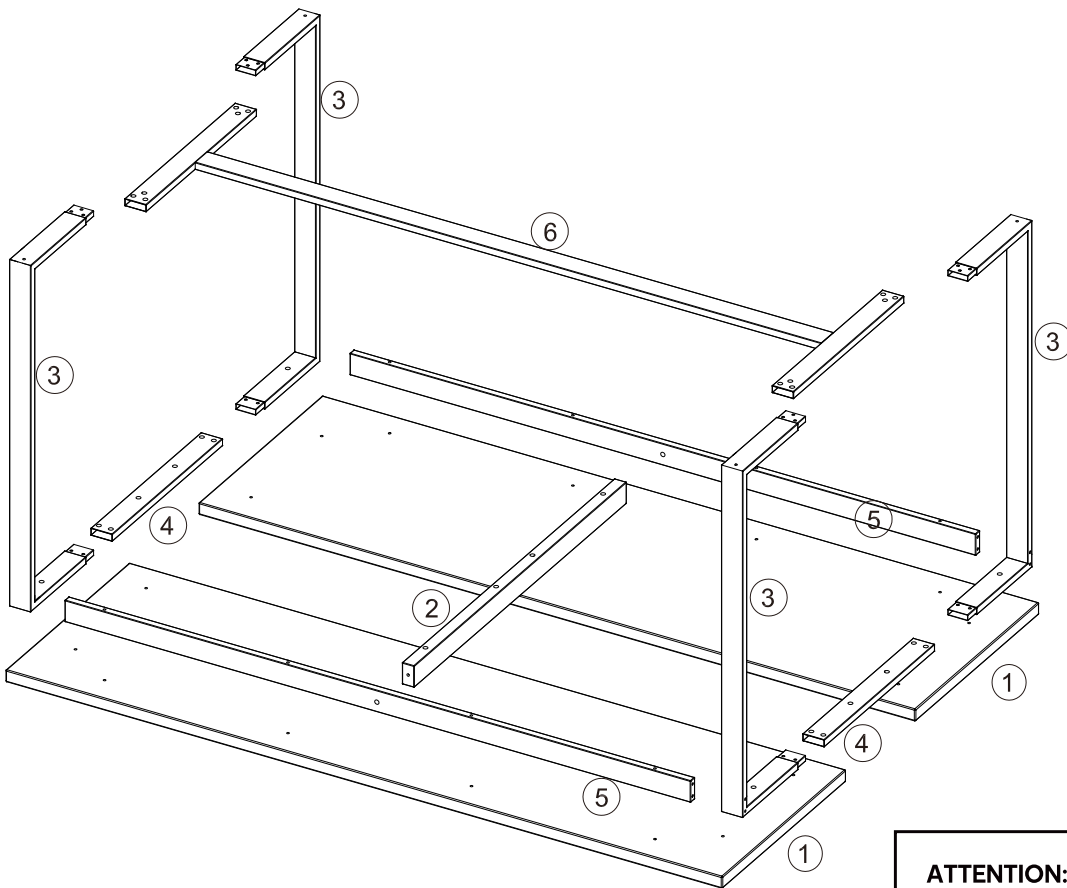
**MAXIMUM SAFE LOAD: 50KG FOR TOP PANEL.**

# 1 Hardware List

	A	M6x10mm	20pcs		B	M6x30mm	8pcs		C	M6x60mm	20pcs
	D	M7x50mm	2pcs		E	M6mm	4pcs		F	M4mm	1pc

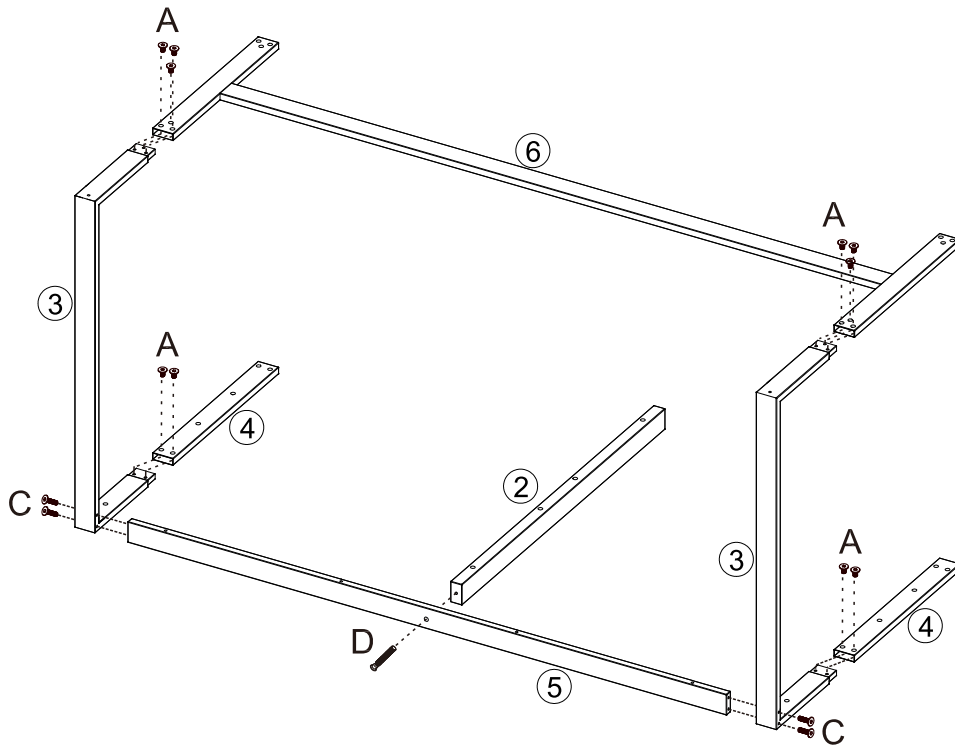
# 2 Parts List

							
①	2pcs	②	1pc	③	4pcs	④	2pcs
							
⑤	2pcs	⑥	1pc				



**ATTENTION:**  
DO NOT TIGHTEN THE SCREWS FULLY DURING ASSEMBLY. FULLY TIGHTEN SCREWS AFTER THE FINAL ASSEMBLY STEP.

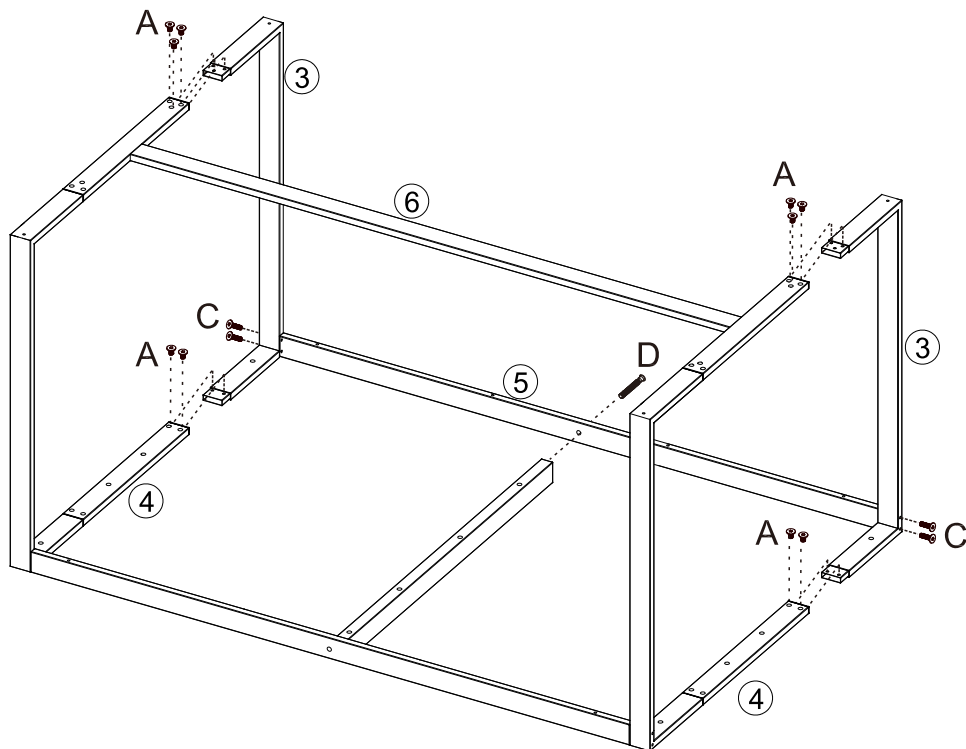
STEP 1 A-x10 C-x4 D-x1 F-x1



STEP 2 A-x10 C-x4 D-x1 F-x1



2-PERSON ASSEMBLY



STEP 3 B-x8 C-x12 E-x4 F-x1



2-PERSON ASSEMBLY

