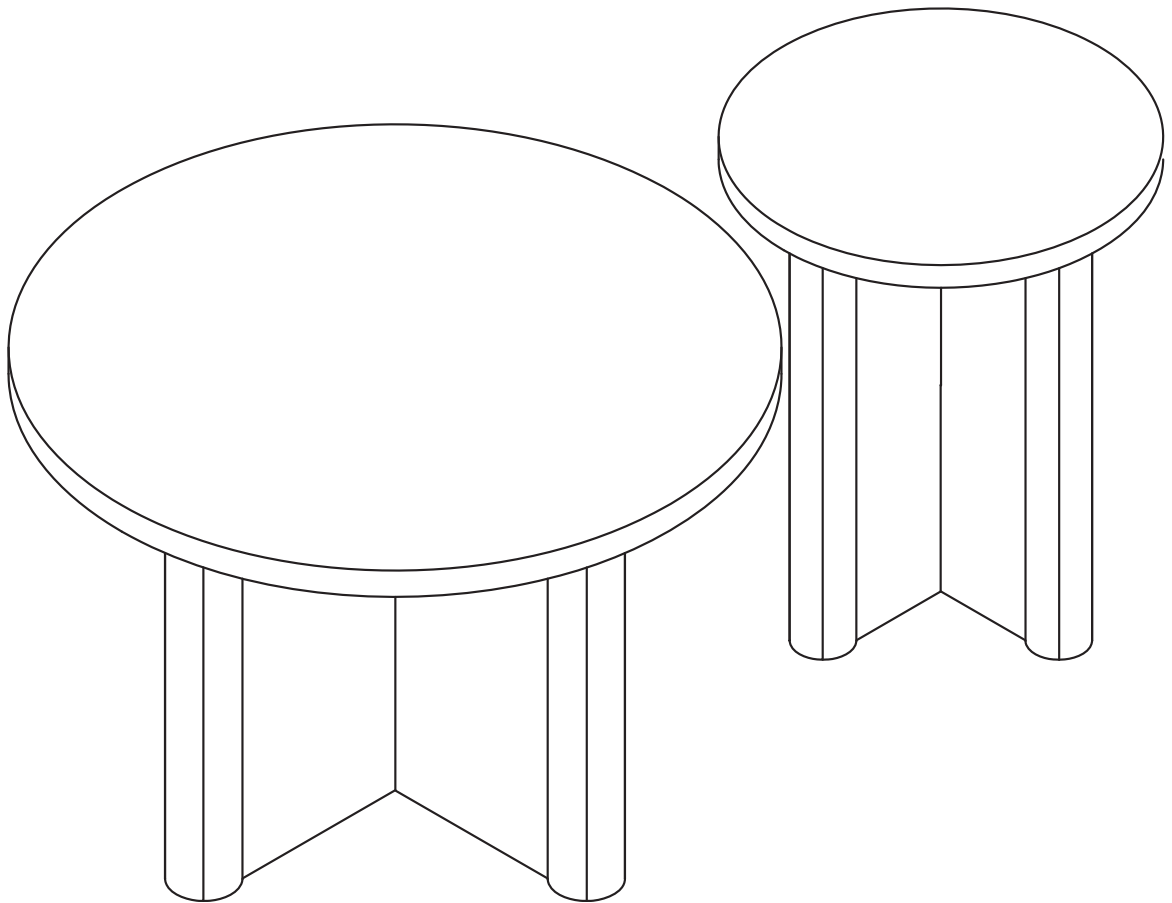


Jude Set Of 2 Coffee Tables

Instruction Manual



The photos and illustrations shown in this instruction manual are generic.
The manufacturer reserves the right to change any specification or feature without prior notice.

IMPORTANT: KEEP FOR FUTURE REFERENCE. READ CAREFULLY.

Assembly Instructions

K: 43700752 | T: 72418482 JUDE SET OF 2 COFFEE TABLES

WARNING:

TO BE ASSEMBLED ON A CLEAN, DRY AND SMOOTH SURFACE.

WIPE CLEAN WITH A SOFT DAMP CLOTH.

NEVER USE SCOURERS, ABRASIVES OR CHEMICAL SOLVENTS.

CHECK AND TIGHTEN ALL PARTS REGULARLY.

KEEP AWAY FROM MOISTURE AND DIRECT SUNLIGHT.

STORE IN A DRY PLACE.

FOR INDOOR AND DOMESTIC USE ONLY.

CARE INSTRUCTIONS:

DO NOT STAND, SIT OR LEAN ON THIS UNIT.

DO NOT USE THIS UNIT AS A STEP LADDER OR AS A CHOPPING SURFACE.

KEEP AWAY FROM CHILDREN AND BABIES.

ADULT ASSEMBLY REQUIRED.

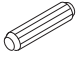
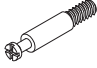


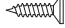

USE ONLY ON A FLAT SURFACE.

DO NOT USE THIS UNIT UNLESS ALL BOLTS AND SCREWS ARE FIRMLY SECURED.

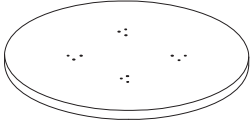
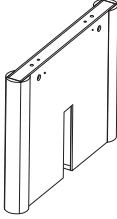
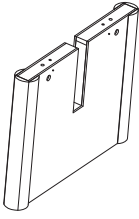
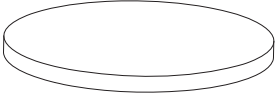
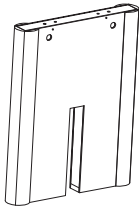
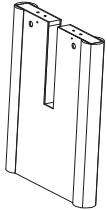
MAXIMUM SAFE LOAD:

5KG FOR SMALL TOP, 10KG FOR LARGE TOP.

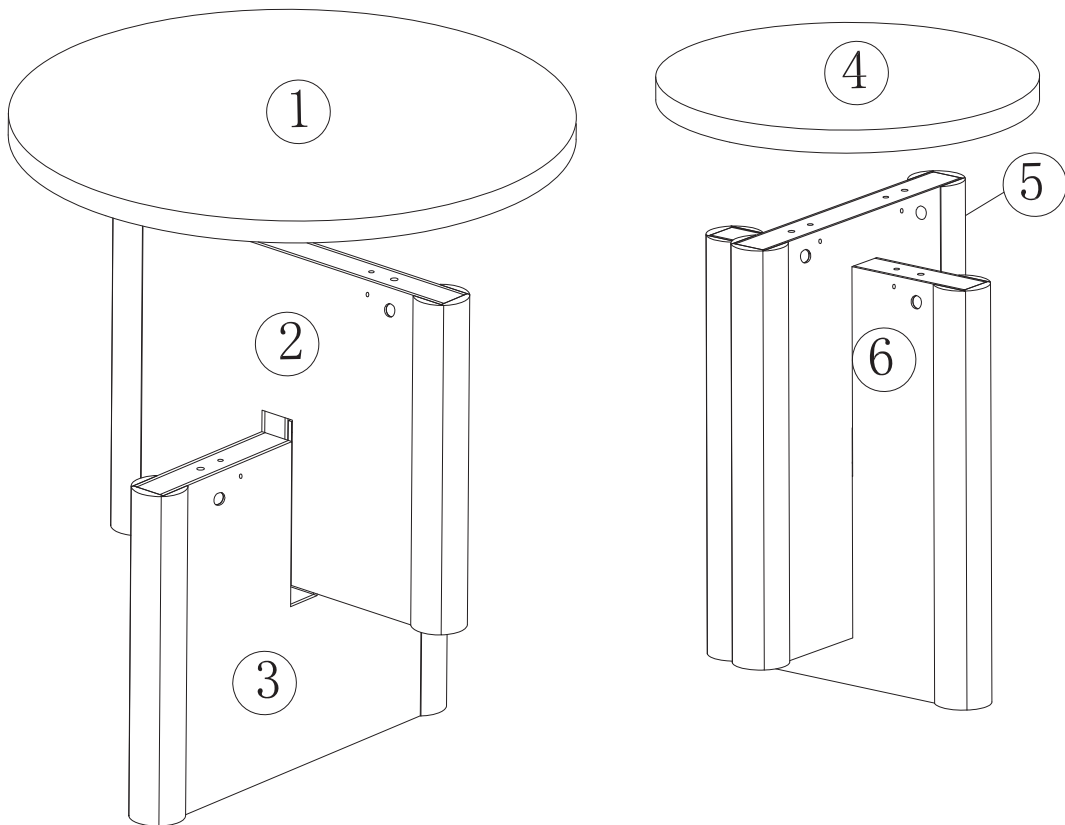
1 Hardware List

A		6X30mm	8	B		6X35mm	8	C		15X10mm	8
D			8	E		4X12mm	16	Q		50mm	8

2 Parts List

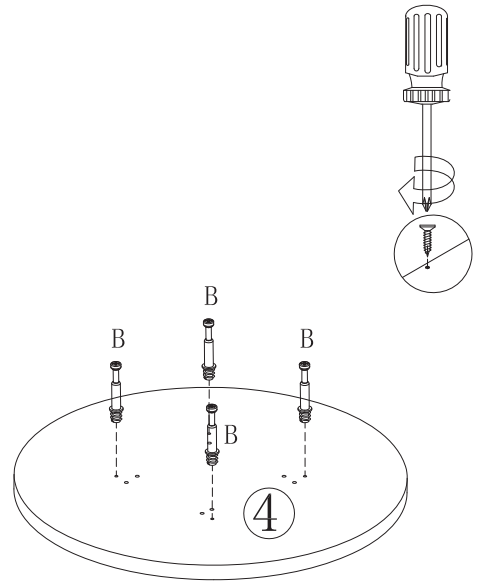
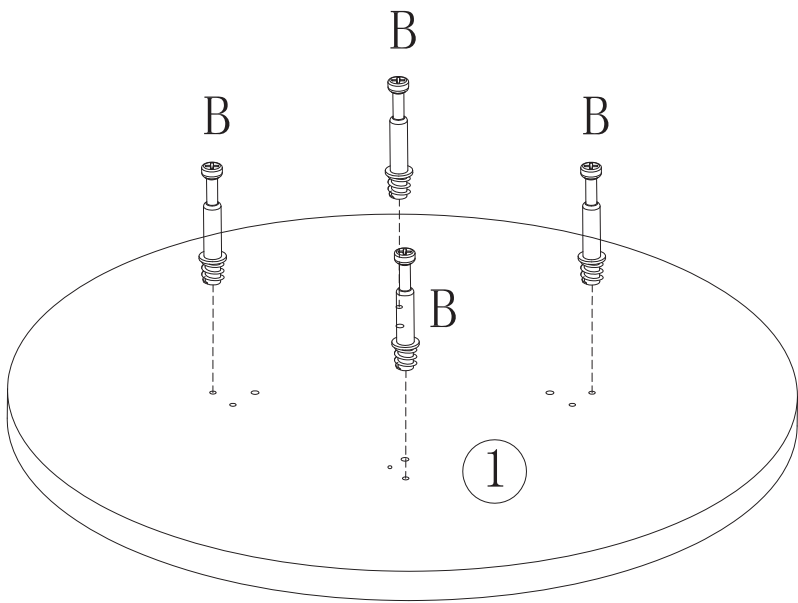
① /1PC	② /1PC	③ /1PC
		
④ /1PC	⑤ /1PC	⑥ /1PC
		

PANEL LAYOUT



STEP 1

B -  X8



STEP 2

