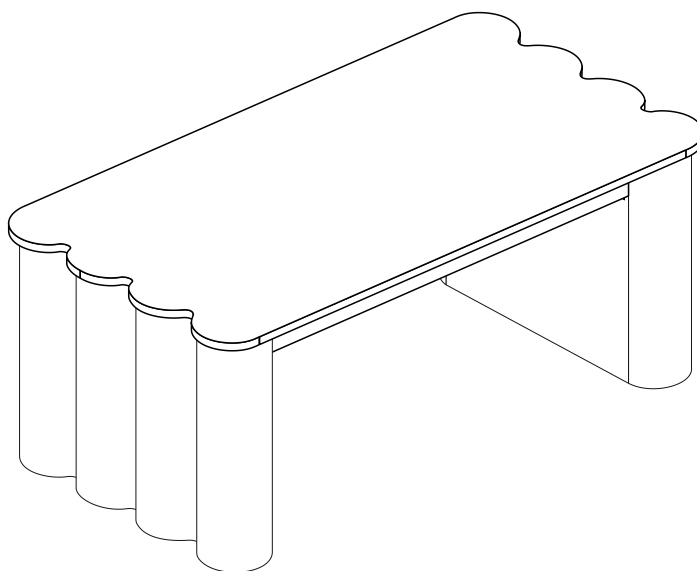


RIPPLE COFFEE TABLE

Instruction Manual



The photos and illustrations shown in this instruction manual are generic.
The manufacturer reserves the right to change any specification or feature without prior notice.

IMPORTANT: KEEP FOR FUTURE REFERENCE. READ CAREFULLY.

Assembly Instructions

43700202 RIPPLE COFFEE TABLE

WARNING:

DO NOT STAND, SIT OR LEAN ON THIS UNIT.

DO NOT USE THIS UNIT AS A STEP LADDER OR AS A CHOPPING SURFACE.

KEEP AWAY FROM CHILDREN AND BABIES.

ADULT ASSEMBLY REQUIRED.

USE ONLY ON A FLAT SURFACE.

DO NOT USE THIS UNIT UNLESS ALL BOLTS AND SCREWS ARE FIRMLY SECURED.

CARE INSTRUCTIONS:

TO BE ASSEMBLED ON A CLEAN, DRY AND SMOOTH SURFACE.

WIPE CLEAN WITH A SOFT DAMP CLOTH.

NEVER USE SCOURERS, ABRASIVES OR CHEMICAL SOLVENTS.

CHECK AND TIGHTEN ALL PARTS REGULARLY.



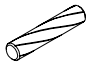

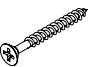

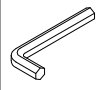
KEEP AWAY FROM MOISTURE AND DIRECT SUNLIGHT.

STORE IN A DRY PLACE.

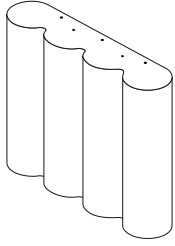
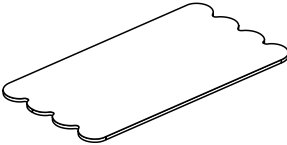
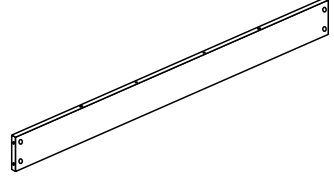
FOR INDOOR AND DOMESTIC USE ONLY.

MAXIMUM SAFE LOAD: 25KG FOR TOP

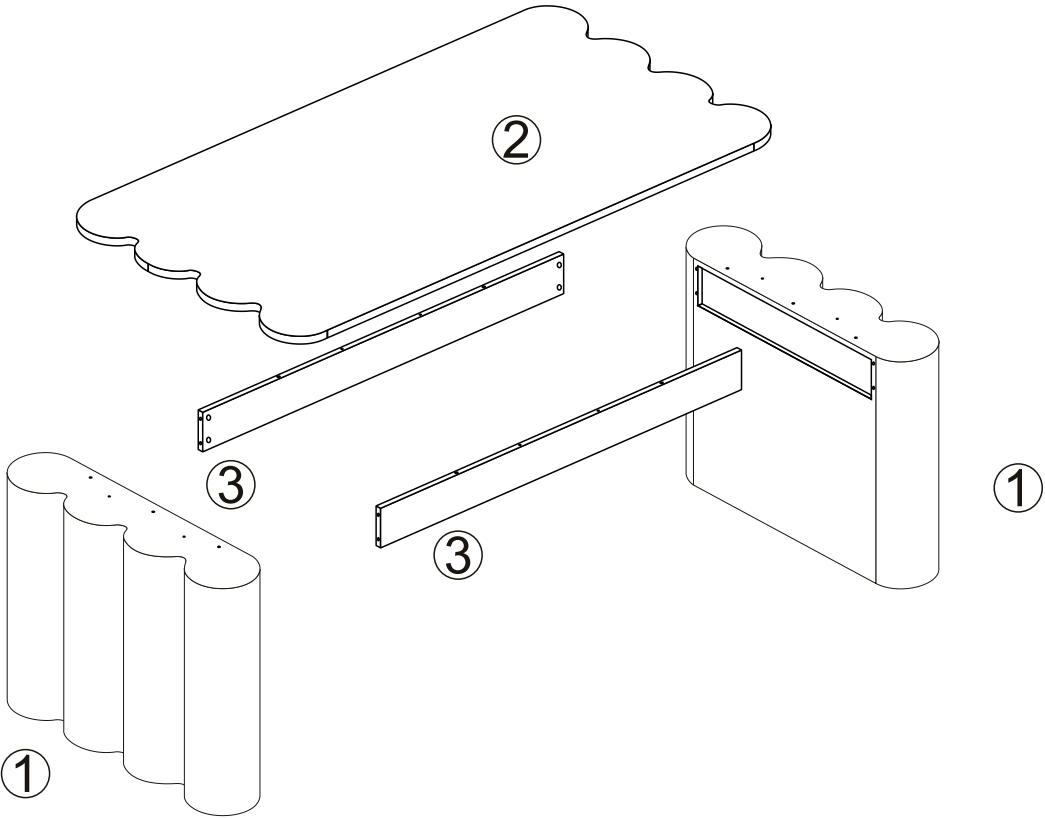
1 Hardware List

A		M6x35mm	8pcs	B		φ 15x9mm	8pcs	C		M6x30mm	8pcs	D			4pcs
E		M4x70mm	4pcs	F		M6x28mm	6pcs	G			1pc				

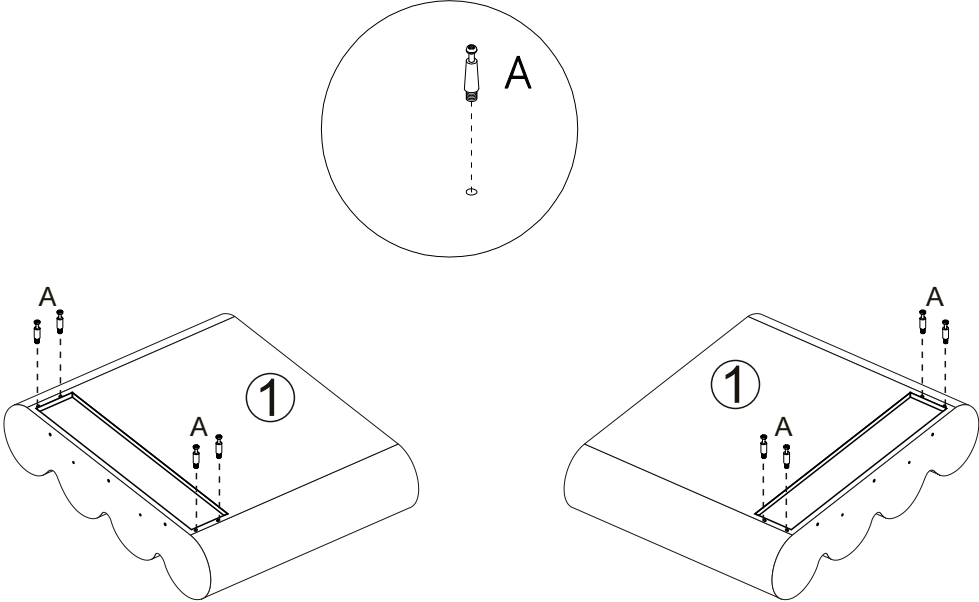
2 Parts List

					
①	2pcs	②	1pc	③	2pc

PANEL LAYOUT

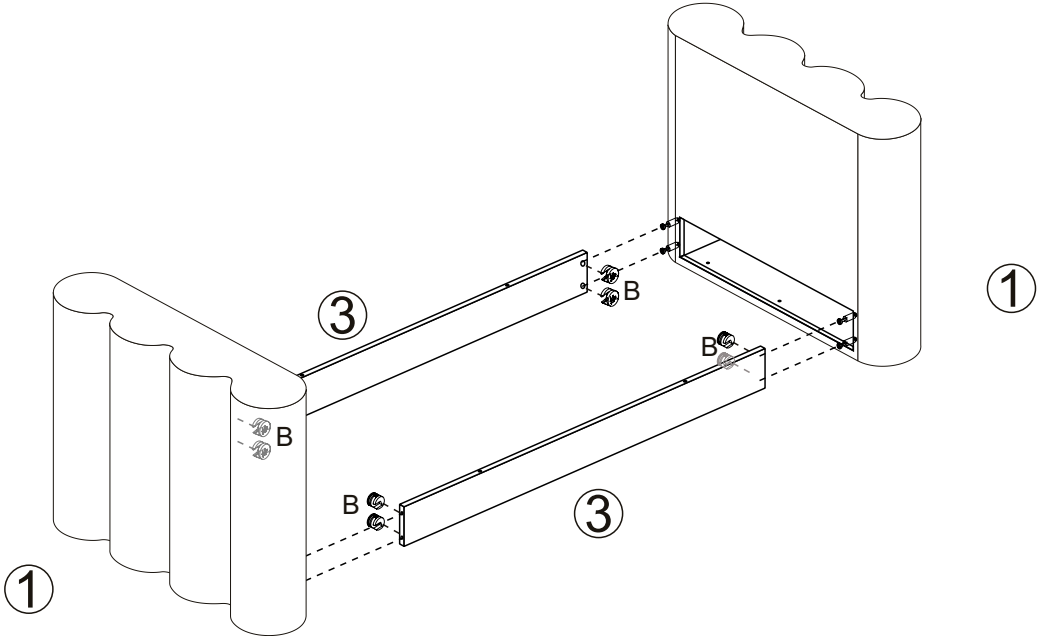


STEP 1



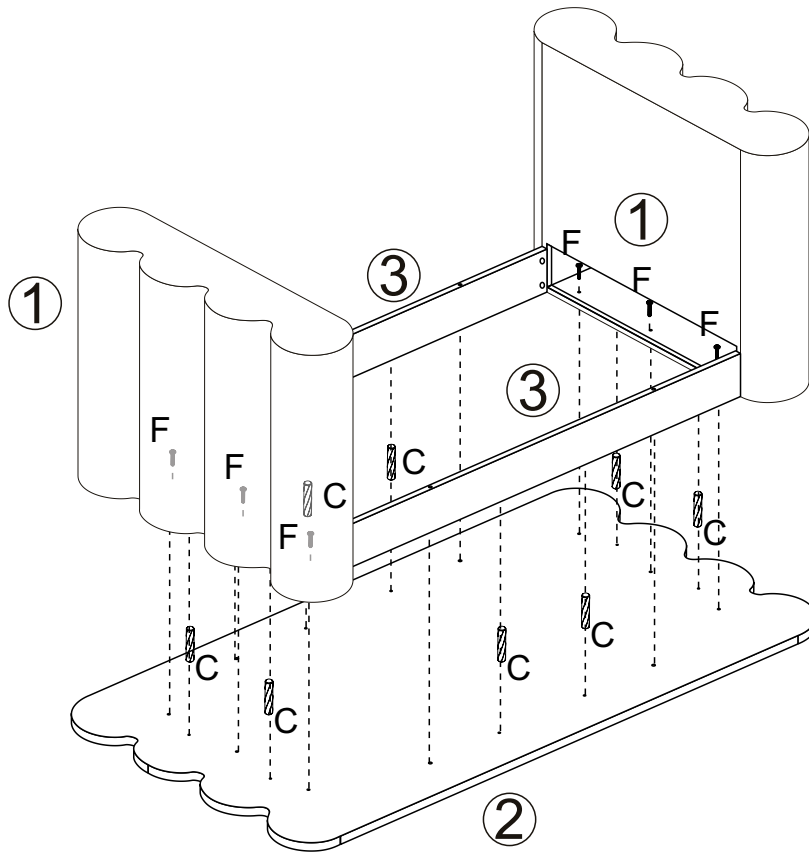
A -  x8

STEP 2



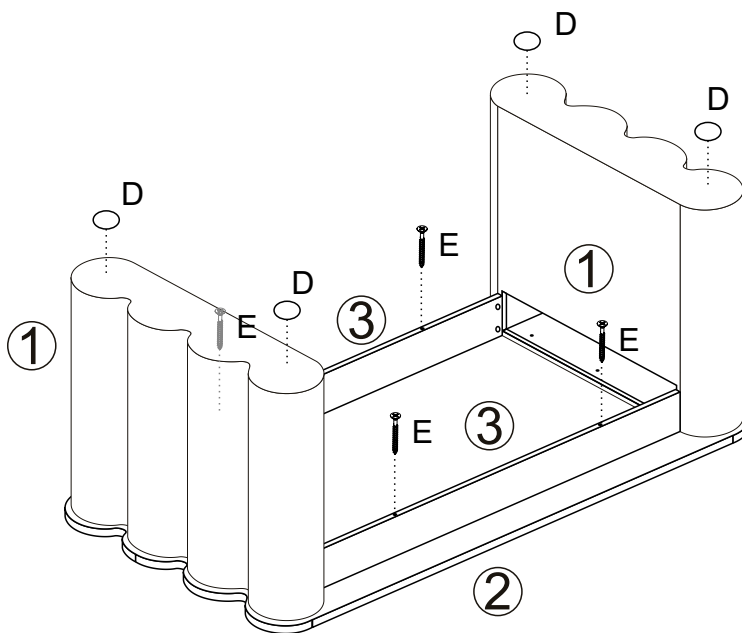
B -  x8

STEP 3



G- x1 C- x8 F- x6

STEP 4



D- x4 E- x4