

anko

**Portable USB Blender
PC552-D
User Manual**



**PLEASE READ AND SAVE THESE
INSTRUCTIONS FOR FUTURE REFERENCE**

IMPORTANT SAFEGUARDS

When using any electrical product, always follow these basic safety precautions:



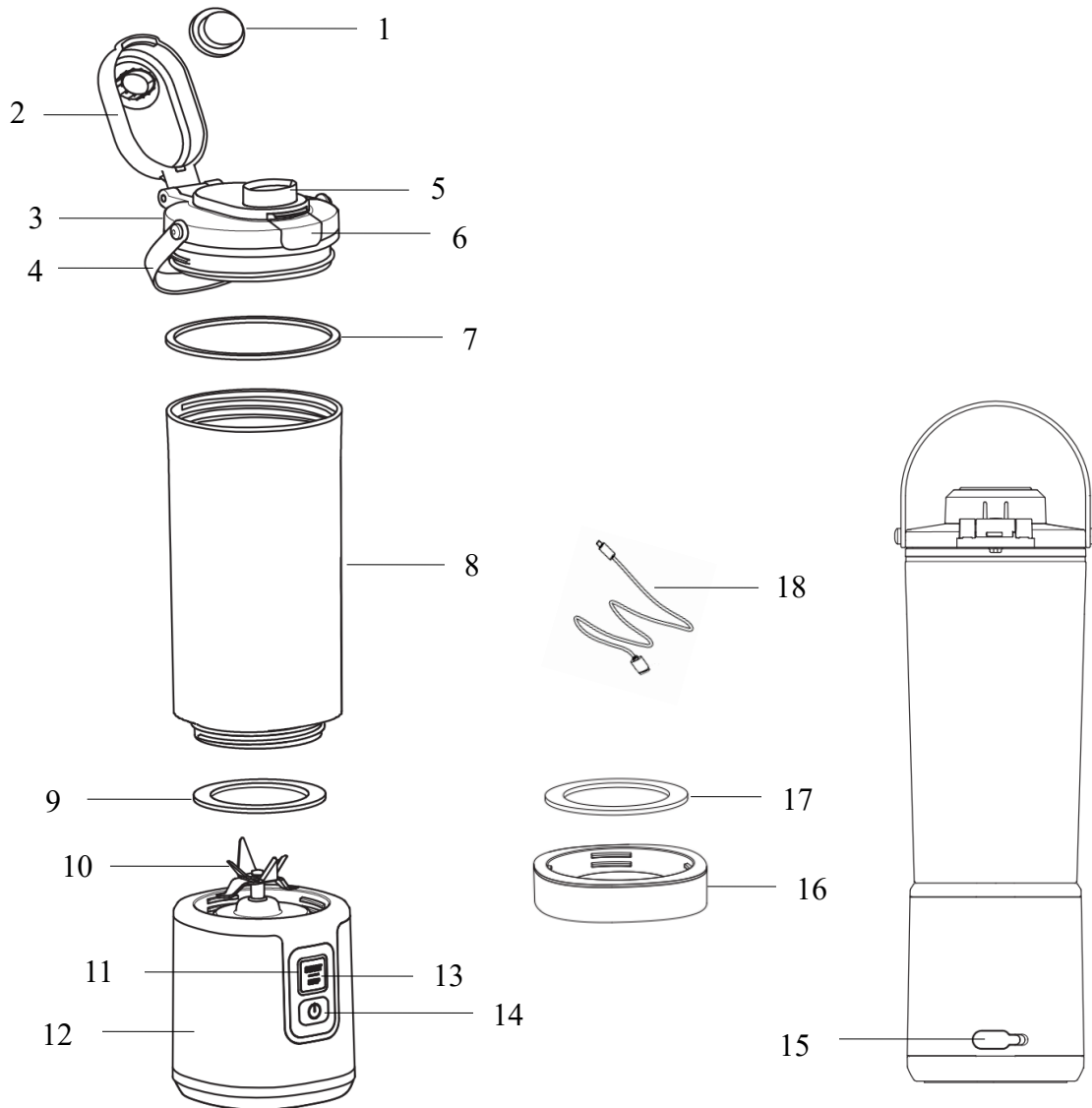
READ ALL INSTRUCTION BEFORE USE.

- Please read all the instructions carefully before using this product.
- When the product is in use, do not remove the main unit from the juice cup.
- Do not contact moving parts during operation and handling of appliance.
- Do not remove the juice cup or the top cover until the appliance comes to a complete stop.
- This appliance must only be supplied at safety extra low voltage corresponding to the marking on the appliance.
- **CAUTION!** The blades are sharp. Handle with care when emptying the cup and during cleaning.
- After charging, when unplugging the USB plug, please grab it by the plug when pulling it out. Do not pull from the wire.
- Do not immerse the main unit in water or other liquids to avoid the risk of fire, electric shock or personal injury.
- This appliance is not intended for use by persons (including children) with reduced physical, sensory or mental capabilities, or lack of experience and knowledge, unless they have been given supervision or instructions concerning use of the appliance by a person responsible for their safety.
- Children should be supervised to ensure that they do not play with the appliance.
- In the absence of supervision, the cleaning and maintenance work should not be done by children.
- Use of accessories not recommended or supplied with the product may cause fire, electric shock or personal injury.
- For electrical safety, any repairs to the product should be carried out by a qualified electrical person only or the product must be disposed of.
- This appliance must be always used in accordance with the user instructions supplied with the product and must not be used for other purposes.
- Before using it, please make sure that the main body is firmly fixed.
- Misuse may cause serious injury.
- **WARNING! DO NOT BLEND HOT LIQUIDS.**
- If hot liquid is poured into the food processor or blender as it can be ejected out of the appliance due to a sudden steaming
- **To prevent damage to the product do not process dry ingredients.**
- Do not fill above the MAX line.
- Switch OFF the appliance and disconnect from supply before changing accessories or approaching parts.

- This appliance is intended to be used in household and similar applications such as:
 - staff kitchen areas in shops, offices and other working environments,
 - farmhouses,
 - by client in hotels, motels and other residential type environments,
 - bed and breakfast type environments.
- This appliance contains batteries that are non-replaceable.
- The appliance must only be supplied by certified power supply unit with SELV output voltage corresponding to the marking on the appliance.
- For cleaning, please refer to “CLEANING AND STORAGE” section.
- Do not blend ice cubes or frozen fruit only without adding some water or milk.
- **IMPORTANT! The blender is not designed for crushing large amounts of ice. Use one or two pieces of ice cubes (not larger than 2cm x 2cm x 2cm size) only when blending.**
- This product contains lithium-ion batteries. Therefore, do not attempt to dismantle the product. Fire risk exists if the batteries are damaged or exposed to heat.
- DO NOT squeeze, puncture, or short circuit the product or put it into water, fire or use in an environment where the temperature is higher than 60°C.
- This product is for household use only and not designed for commercial use.
- Do not operate the product without any liquid in the juice cup.
- Stirring ingredients such as bananas that are prone to foam may cause the product to stall.
- Do not expose the product to high temperatures, strong magnetic fields, near flammable and explosive gases (such as natural gas, methane, etc.) to avoid accidents such as abnormal operation and/or fire.
- To avoid parts deformation or damage, do not put any parts of this product in a dishwasher, microwave oven or hot water above 60°C.
- The product has built-in lithium-ion batteries. Pay attention to the following:
 - a) Only use and store the product in an environment where the temperature is between -5°C to + 35°C.
 - b) If not used for a long time, re-charge every three months to prevent battery damage.
 - c) Charging time may be longer when the room temperature is below 10°C, which is normal.
 - d) Charge the battery in time when the battery power becomes low.
- **WARNING! The maximum operating time is 30 seconds. Allow the appliance to rest for at least 3 minutes before using it again. After 5 cycles of operation, allow the appliance to cool down for approx. 30 minutes before using it again.**

**SAVE THESE INSTRUCTIONS
FOR FUTURE REFERENCE**

KNOW YOUR PORTABLE USB MINI BLENDER



- 1. Lid seal
- 2. Lid
- 3. Top cover
- 4. Handle
- 5. Drinking spout
- 6. Lid flip button
- 7. Top cover seal
- 8. Juice cup
- 9. Seal ring (install in the main unit)

- 10. Blade
- 11. Indicator
- 12. Main unit
- 13. Start/Stop button
- 14. On/Off button
- 15. Charging port
- 16. Bottom cover
- 17. Bottom cover seal
- 18. USB cable

BEFORE FIRST USE

Note: When using the appliance for the first time, carefully remove all internal and external packaging.

- Clean the main unit and USB cable with a damp cloth. Wipe dry with a soft dry cloth.

⚠ WARNING! Do not immerse the main unit and USB cable in water or any other liquids to clean.

- Wash all the other parts with soapy water. Dry all components thoroughly before use.
- Screw the juice cup on the main unit tightly.

WARNING! Make sure all the seals are properly assembled.

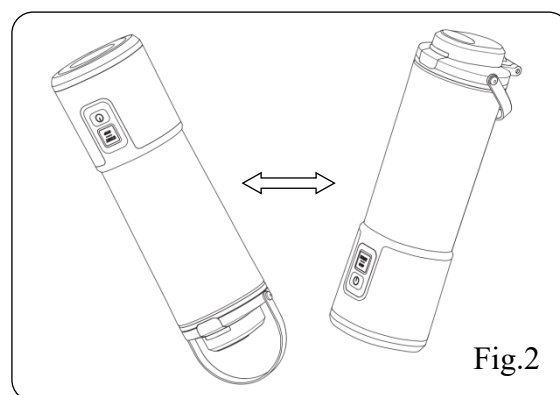
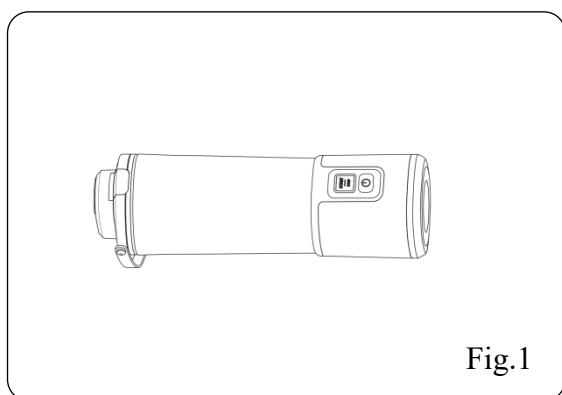
- Fully charge the appliance before first use.
- The supplied USB charging cable should be inserted into the standard USB power source rated at 5Vd.c. 2A specification. The charging time is approx. 4 hours. The indicator lights up in red during charging and turns white after fully charged.

USING YOUR PORTABLE USB MINI BLENDER

1. Wash the fruit, cut the flesh into 1x1x1cm pieces and put them into the cup (please remove the fruit core, hard material, thick skin or hard shell). Add water or other drinking liquid up to the MAX line mark on the cup (450mL). For example – the juice cup filled to maximum indicated level with a mixture of 180g soaked carrots and 270mL water.
2. Screw on the top cover, close the lid.

WARNING! To prevent liquid from leaking, make sure all the seals are properly assembled.

3. Press and hold the On/Off button until the indicator light lights up in white, the appliance is now in standby mode. The appliance will automatically turn OFF if no function is selected within 1 minute.
4. Hold the appliance to make it start from horizontal position so that the fruit will not get stuck on the blade (Fig.1). Press the Start/Stop button, and the appliance will start blending with red indicator light. Shake the appliance gently upside down while blending (Fig.2).



Notes:

- If the blade and pulp are stuck during blending process, the appliance will stop with ‘click’ sounds, the indicator light will flash in red then turns to white. Turn the appliance

horizontally or tilt it until the blade is separated from the pulp, then press the Start/Stop button, and the appliance will continue blending.

- When the battery is low, the indicator will flash in 'red' during operation.
- When the battery runs out, the indicator will flash in 'red' 10 times and then go out.

CAUTION! Do not operate the appliance with an empty cup to prevent damage to the electric motor.

5. Press the On/Off button to stop the appliance.
6. The appliance will automatically turn off after 30 seconds of blending.
7. Unscrew the lid to drink the juice in the cup or unscrew the motor base to assemble the bottom cover.

NOTE: Do not continuously blend with excessive intensity.

CLEANING AND STORAGE

Make sure the blade has come to a complete stop before cleaning.

Do not use a steel ball, abrasive cleaner or corrosive liquid (such as gasoline, acetone) to clean the product.

CAUTION: Blades are sharp. Handle with care when cleaning.

- **Fast Cleaning:** Add an appropriate amount of water into the juice cup and screw on the top cover. Switch ON and operate for 5 to 10 seconds. Discard the water.
- The main unit can be wiped with a damp cloth. **Do not rinse, soak or spray water or other liquids to avoid damage to the appliance.**
- Rinse the juice cup, the lid and the bottom cover with clean water and wipe dry.
- Make sure all the parts are clean and dry, assemble the appliance before storage.
- This product contains a rechargeable Li-ion battery. When not in use, it should be stored in a clean, dry, ventilated room away from direct sunlight with an ambient temperature range of -5°C to $+35^{\circ}\text{C}$ and a relative humidity of 25% to 75%.

IMPORTANT! To avoid parts deformation or damage, do not put any parts of this product in a dishwasher, microwave oven or hot water above 60°C .

TROUBLESHOOTING

Problem	Possible cause	Solution
The indicator lights up in red, the appliance doesn't work.	The appliance (USB cable) is connected to the power supply.	Disconnect the appliance from the USB cable with the power supply.
The indicator flashes red 10 times and goes out, the appliance doesn't work.	Insufficient battery.	Charge the appliance.
The indicator flashes 5 times and turns white, the appliance doesn't work.	The protection switch is not activated.	Make sure the juice cup is screwed into place. The MAX line should be on the same plane with the control panel when correctly installed.
The indicator lights up in red with click sound, then flashes 10 times and returns white.	Too large or too much food blocked the blade.	Cut the fruit to a smaller size or reduce the food quantity.
The indicator flashes 5 times and goes out when charging.	The output voltage of the charger is more than 6V.	Use a charger with 5V output voltage.

TECHNICAL SPECIFICATION

Voltage: 5Vd.c. 2A

Rated Power: 100W

Juice Cup Max. Capacity: 450mL

12 Month Warranty

Thank you for your purchase.

Your new product is warranted to be free from defects in materials and workmanship for the period stated above, from the date of purchase, provided that the product is used in accordance with accompanying recommendations or instructions where provided. This warranty is in addition to your rights under the Australian Consumer Law. For New Zealand customers, this warranty is in addition to statutory rights observed under New Zealand legislation.

We will provide you with your choice of a refund, repair (where possible) or exchange (availability dependent) for this product if it becomes defective within the warranty period. The business will bear the reasonable expense of claiming the warranty.

This warranty will no longer apply where the defect is a result of alteration, accident, misuse, abuse or neglect.

Please retain your receipt as proof of purchase and contact our Customer Service Centre as listed below, for the entity you purchased this product from, for any difficulties with your product. Warranty claims and claims for expense incurred in returning this product can be addressed to the respective Customer Service Centre.

Our goods come with guarantees that cannot be excluded under the Australian Consumer Law. You are entitled to a replacement or refund for a major failure and compensation for any other reasonably foreseeable loss or damage. You are also entitled to have the goods repaired or replaced if the goods fail to be of acceptable quality and the failure does not amount to a major failure.

Contact for Kmart purchases	Contact for Target purchases
Kmart Australia Ltd. C/- Customer Service Centre 690 Springvale Road, Mulgrave Vic 3170 Customer Service: 1800 124 125 (Australia) or 0800 945 995 (New Zealand) or via Customer Help at kmart.com.au	Target Australia Pty Ltd C/- Customer Service Centre 2 Kendall Street, Williams Landing, Vic, 3027 Customer Service: 1300 753 567 or via Customer Help at target.com.au/help/contact-us

CLEANING THE PORTABLE USB BLENDER



Discard the remaining juice from the juice cup.



Add an appropriate amount of water to the juice cup.



And install it on the main unit.
Switch ON and operate for 5 to 10 seconds to remove food residues from the cutting blades.



Discard the water after cleaning.